

US00D660182S

(12) **United States Design Patent**
Rodriguez

(10) **Patent No.:** **US D660,182 S**

(45) **Date of Patent:** **** May 22, 2012**

(54) **BATTERY DISPENSER**

(75) Inventor: **Jeffrey Rodriguez**, Gurnee, IL (US)

(73) Assignee: **Atico International USA, Inc.**, Fort
Lauderdale, FL (US)

(**) Term: **14 Years**

(21) Appl. No.: **29/408,046**

(22) Filed: **Dec. 6, 2011**

3,995,767 A *	12/1976	Brindley et al.	221/82
D249,933 S *	10/1978	Stern	D9/417
D263,354 S *	3/1982	Jones	D6/515
D298,512 S *	11/1988	Gotlib	D3/203.4
D609,118 S *	2/2010	Woodworth	D9/730
D626,432 S *	11/2010	Luciano et al.	D9/731
D626,433 S *	11/2010	Luciano et al.	D9/731
D642,481 S *	8/2011	Proksch	D9/731
2009/0294323 A1 *	12/2009	Luciano et al.	206/534

* cited by examiner

Primary Examiner — Thomas Johannes

(74) *Attorney, Agent, or Firm* — Casimir Jones, S.C.

Related U.S. Application Data

(62) Division of application No. 29/385,672, filed on Feb. 17, 2011.

(51) **LOC (9) Cl.** **09-01**

(52) **U.S. Cl.** **D9/731**

(58) **Field of Classification Search** D9/414,
D9/417, 428, 730, 731, 732; D19/75, 76,
D19/78, 86, 89, 91; D6/512-518, 524; D3/201,
D3/302; 221/9-14, 30, 33-41, 45, 47-49;
229/110, 129.1, 207, 925

See application file for complete search history.

(56) **References Cited**

U.S. PATENT DOCUMENTS

3,395,809 A *	8/1968	Mellion	211/59.1
3,404,927 A *	10/1968	Mellion	312/45
3,414,161 A *	12/1968	Doring	221/2

(57) **CLAIM**

The ornamental design for a battery dispenser, as shown and described.

DESCRIPTION

FIG. 1 is a perspective view showing my new design;

FIG. 2 is a top plan view thereof;

FIG. 3 is a left side elevational view thereof;

FIG. 4 is a rear elevational view thereof;

FIG. 5 is a right side elevational view thereof;

FIG. 6 is a front elevational view thereof; and,

FIG. 7 is a bottom plan view thereof.

The broken lines in the drawings depict unclaimed environmental subject matter and form no part of the claimed design.

1 Claim, 1 Drawing Sheet

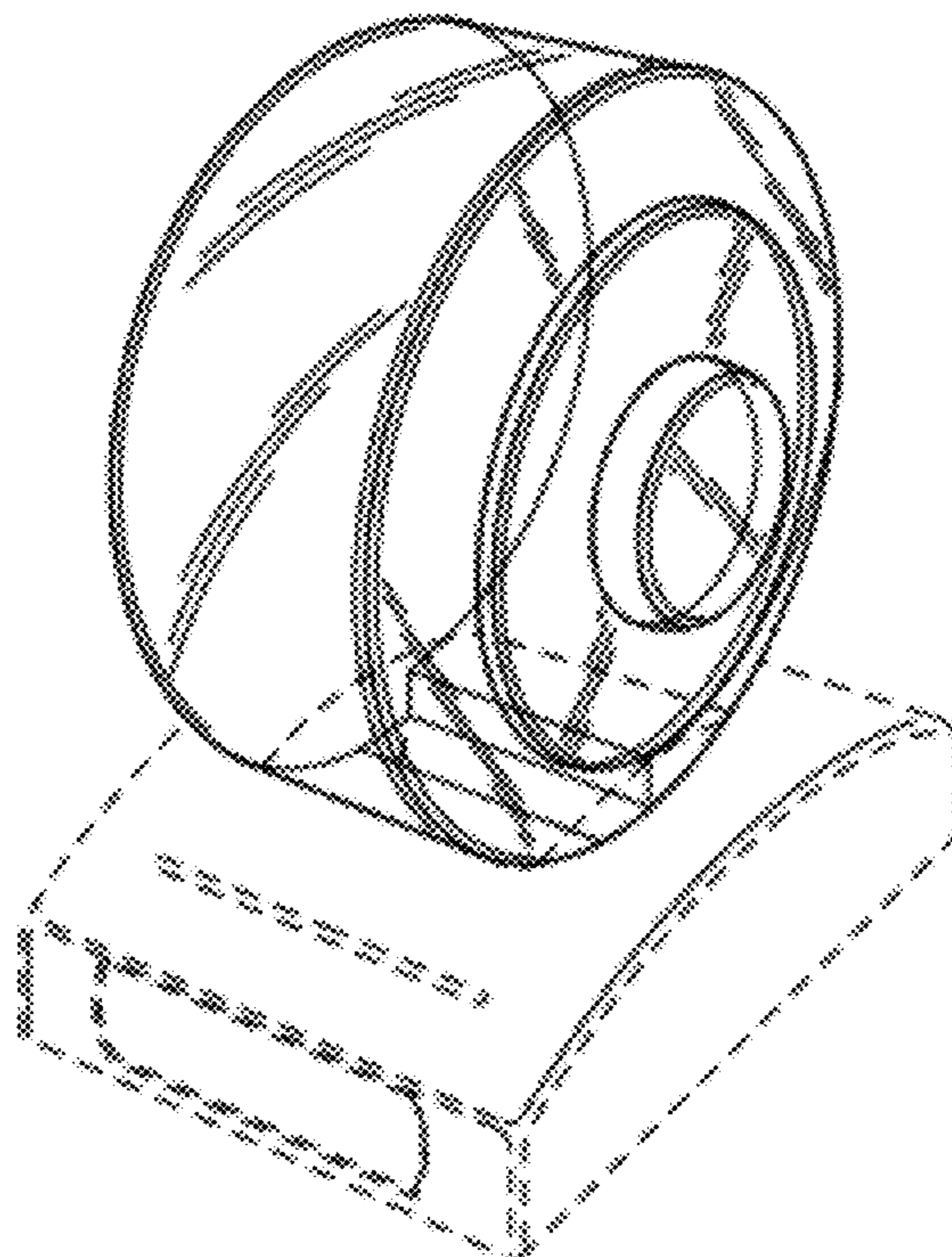


Fig. 1

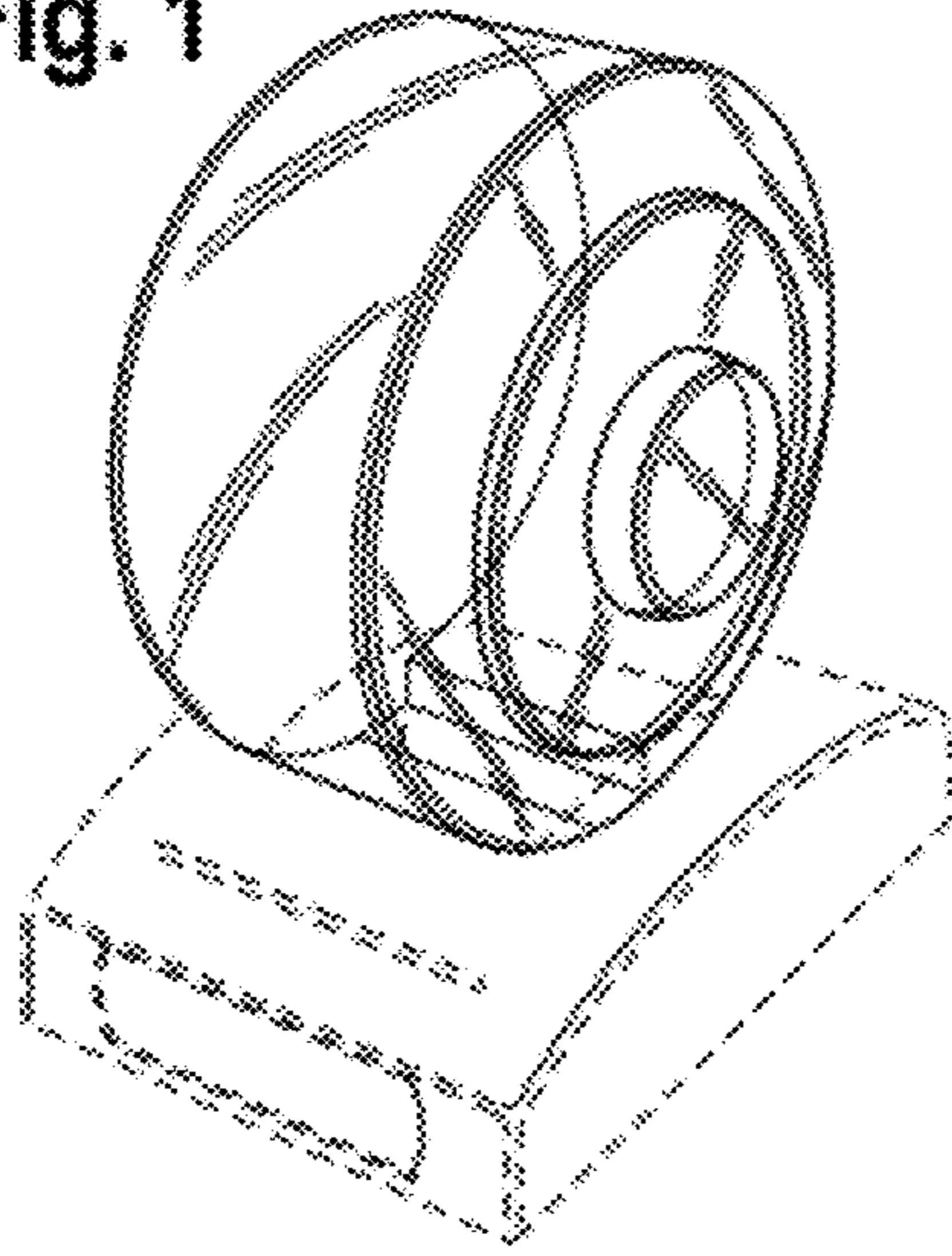


Fig. 2

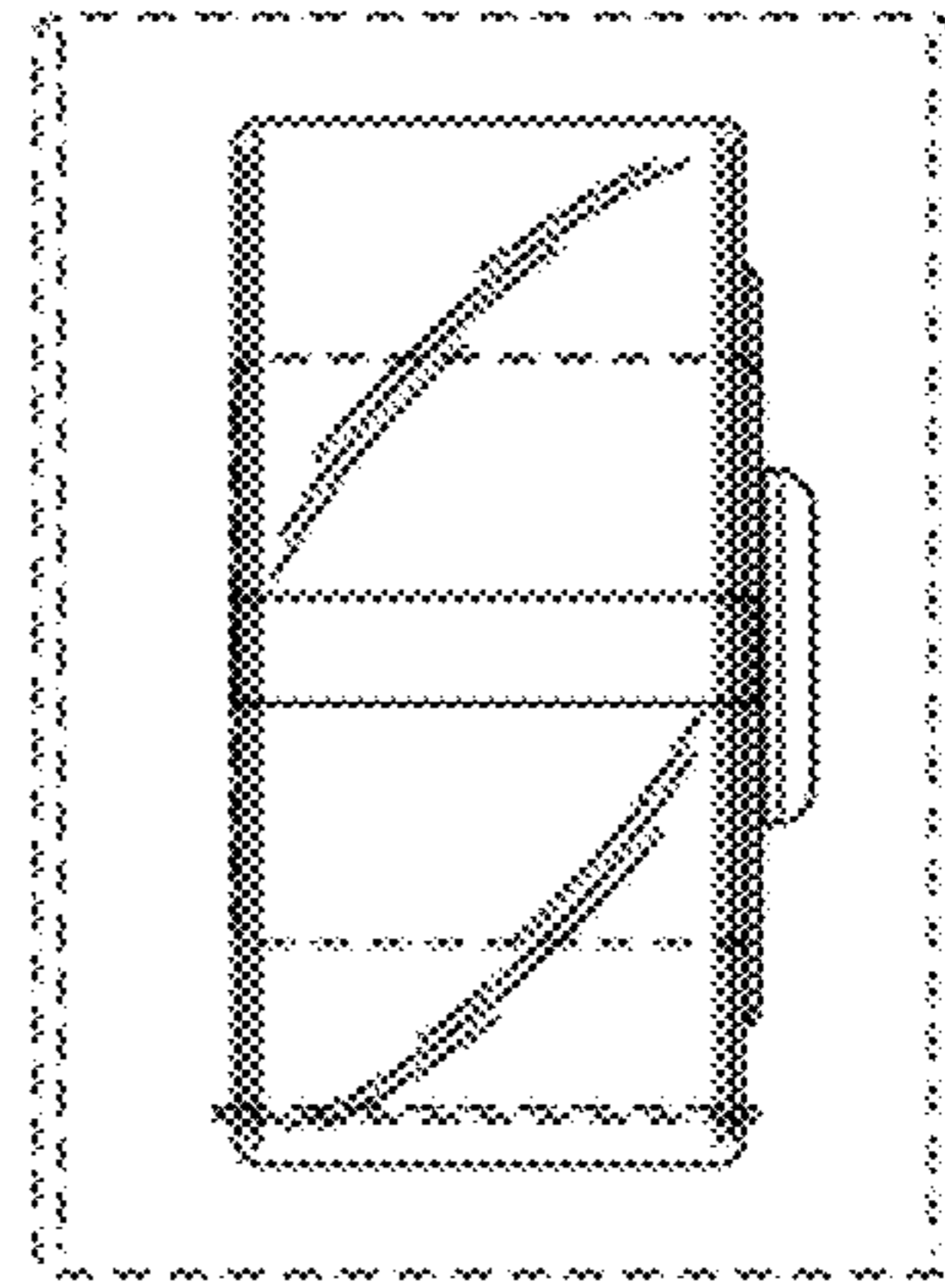


Fig. 6

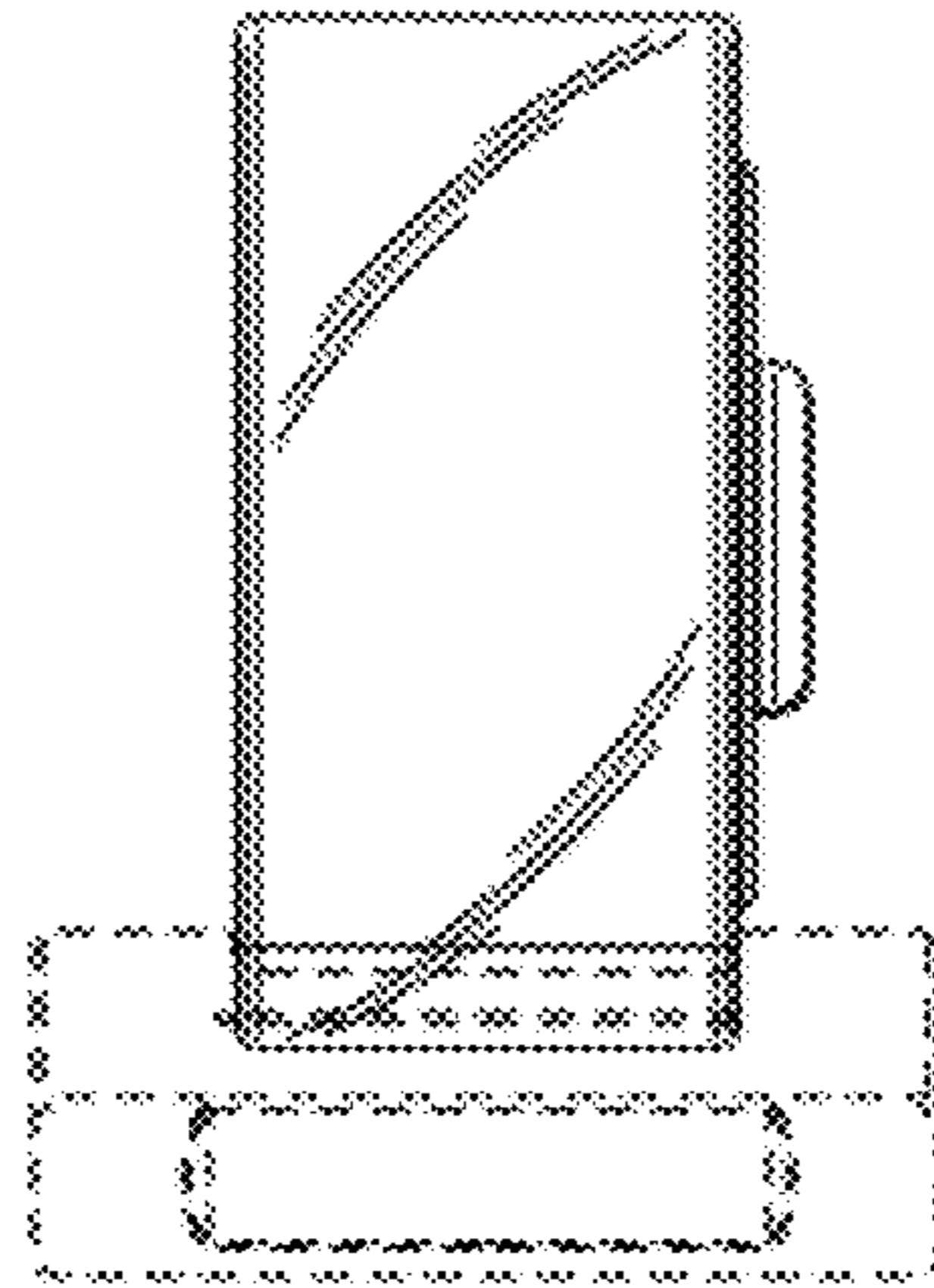


Fig. 3

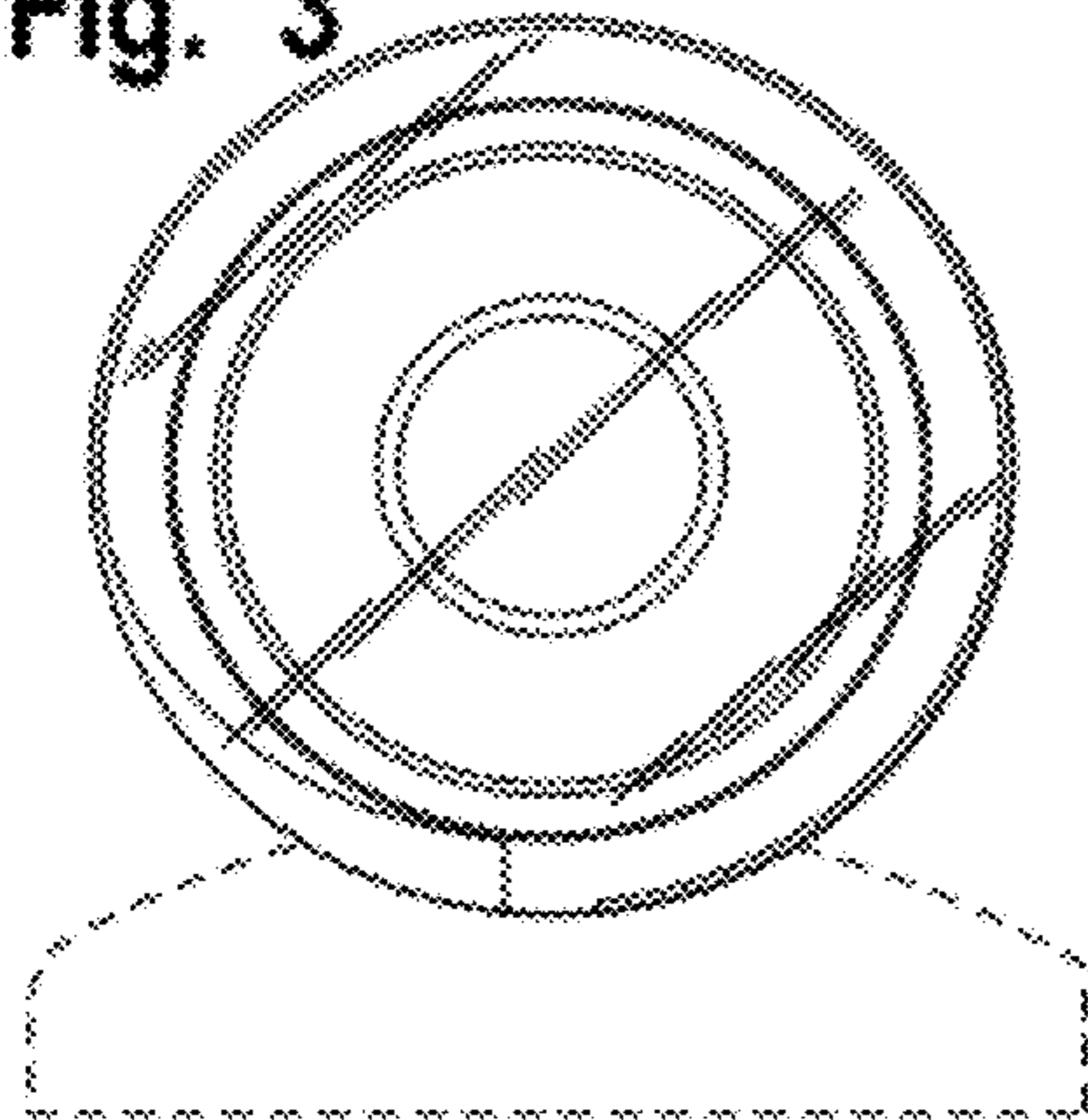


Fig. 4

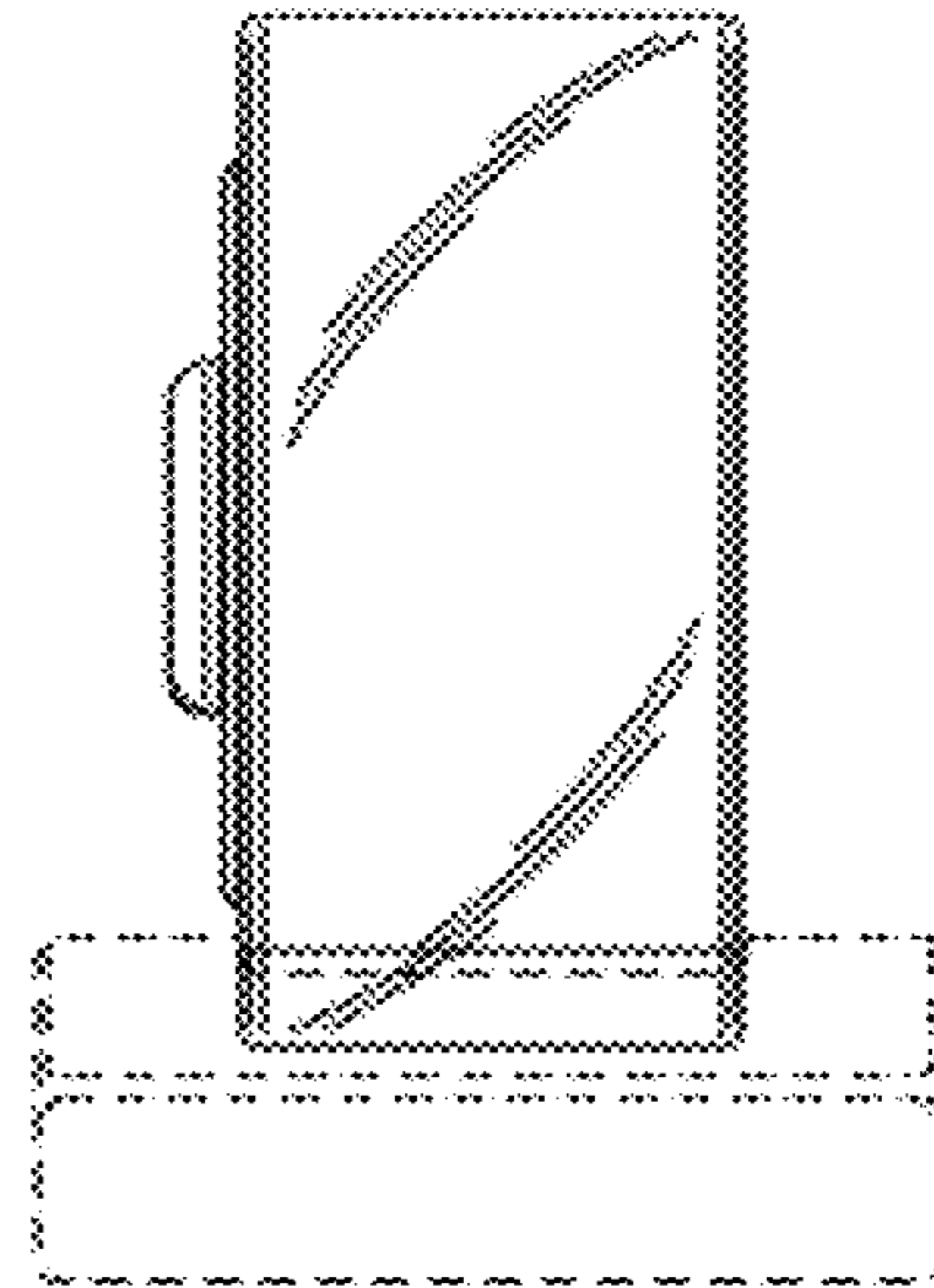


Fig. 5

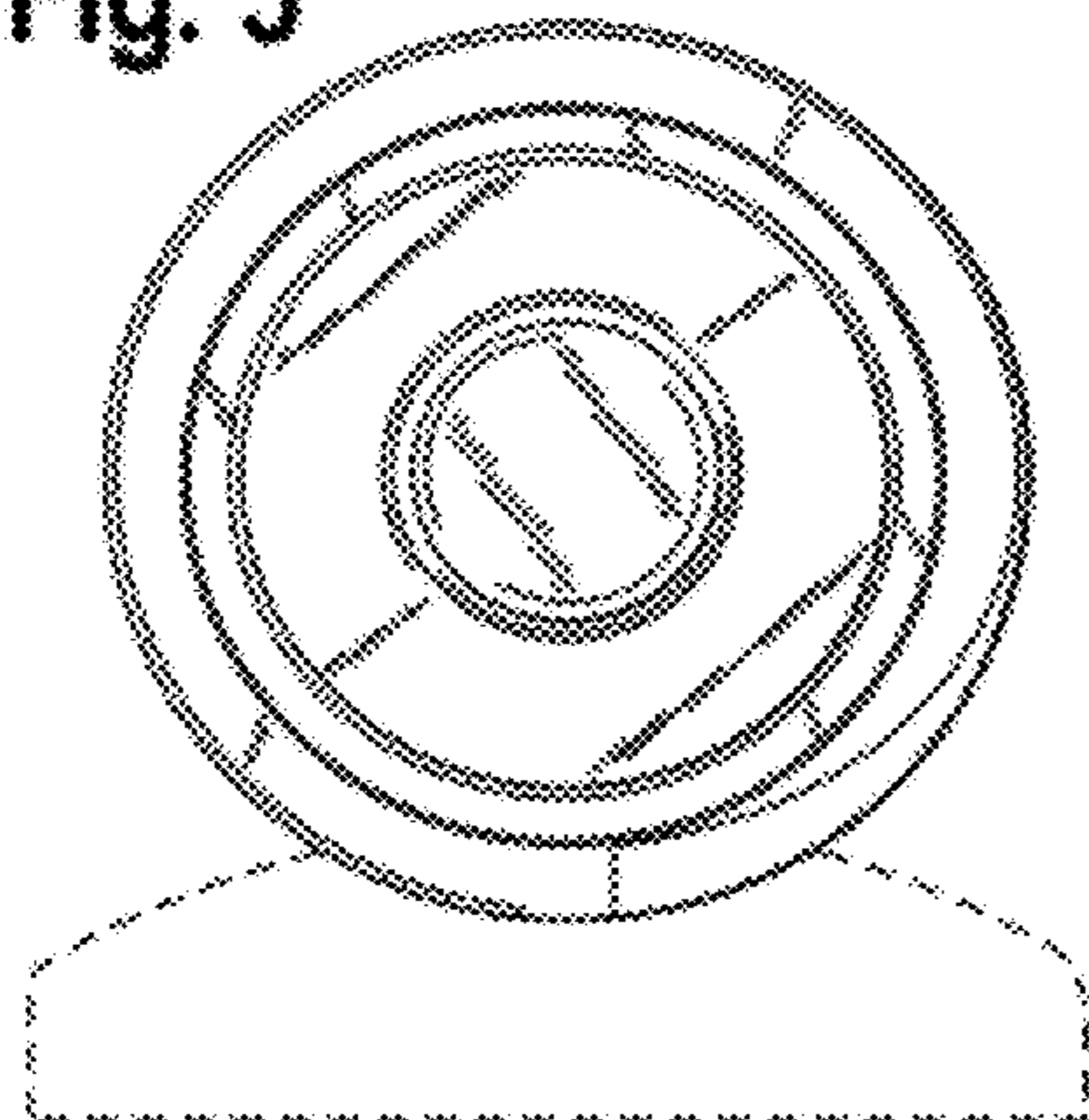


Fig. 7

