



US00D660156S

(12) **United States Design Patent**  
**Kopulos et al.**

(10) **Patent No.:** **US D660,156 S**  
(45) **Date of Patent:** **\*\* May 22, 2012**

(54) **CONTAINER**

(75) Inventors: **Christopher Robert Kopulos**,  
Cincinnati, OH (US); **Brian David**  
**Andres**, Harrison, OH (US)

(73) Assignee: **The Procter & Gamble Company**,  
Cincinnati, OH (US)

(\*\*) Term: **14 Years**

(21) Appl. No.: **29/375,244**

(22) Filed: **Sep. 20, 2010**

**Related U.S. Application Data**

(63) Continuation of application No. 29/354,855, filed on  
Jan. 29, 2010, now Pat. No. Des. 656,402.

(51) **LOC (9) Cl.** ..... **09-01**

(52) **U.S. Cl.** ..... **D9/516**

(58) **Field of Classification Search** ..... D9/516,  
D9/523, 529-531, 541-543, 563-564, 574-575,  
D9/434; D7/602, 612-615, 629, 703, 705;  
D30/101-104; 220/660, 669-670, 675;  
215/381-385  
See application file for complete search history.

(56) **References Cited**

**U.S. PATENT DOCUMENTS**

D73,643	S	*	10/1927	Crimmel	.....	D9/569
D198,287	S	*	5/1964	Hukterstrum	.....	D9/543
D211,928	S	*	8/1968	Burnett	.....	D9/523
D217,439	S	*	5/1970	Platte	.....	D9/543
D227,222	S	*	6/1973	Plumer	.....	D9/543
D354,685	S	*	1/1995	Krishnakumar et al.	.....	D9/543
D462,012	S	*	8/2002	Manderfield, Jr.	.....	D9/530
D464,879	S	*	10/2002	Meeker et al.	.....	D9/424
D471,459	S	*	3/2003	Denham et al.	.....	D9/530 X
D476,898	S	*	7/2003	Schuller et al.	.....	D9/529
D480,312	S	*	10/2003	Mungur et al.	.....	D9/540 X
D527,271	S	*	8/2006	Heisner et al.	.....	D9/540
D530,617	S	*	10/2006	Little et al.	.....	D9/543
D541,662	S	*	5/2007	Little et al.	.....	D9/543
D559,116	S	*	1/2008	Bates et al.	.....	D9/564 X
D585,748	S	*	2/2009	Flanagan-Kent et al.	.....	D9/516

D586,222	S	*	2/2009	Little et al.	.....	D9/531
D586,223	S	*	2/2009	Little et al.	.....	D9/531
D623,953	S	*	9/2010	Darr et al.	.....	D9/516
D637,912	S	*	5/2011	Van Den Wouwer et al.	.....	D9/564
				X		
D644,102	S	*	8/2011	Kopulos et al.	.....	D9/434
8,025,176	B2	*	9/2011	Little et al.	.....	215/384 X
D651,093	S	*	12/2011	Van Rens	.....	D9/575 X
2004/0011811	A1	*	1/2004	McLelland et al.	.....	222/109
2006/0207963	A1	*	9/2006	Little et al.	.....	215/384
2011/0079576	A1	*	4/2011	Thierjung et al.	.....	215/384

**OTHER PUBLICATIONS**

U.S. Appl. No. 29/341,567, filed Aug. 7, 2009, Chris Van den  
Wouwer, et al.

U.S. Appl. No. 29/354,855, filed Jan. 29, 2010, Kopulos, et al.

U.S. Appl. No. 29/354,867, filed Jan. 29, 2010, Kopulos, et al.

U.S. Appl. No. 29/375,263, filed Sep. 20, 2010, Kopulos, et al.

U.S. Appl. No. 29/375,265, filed Sep. 20, 2010, Gonzalez, et al.

U.S. Appl. No. 29/375,274, filed Sep. 20, 2010, Gonzalez, et al.

\* cited by examiner

*Primary Examiner* — Carol P Rademaker

(74) *Attorney, Agent, or Firm* — Julie A. McConihay;  
Leonard W. Lewis; Steven W. Miller

(57) **CLAIM**

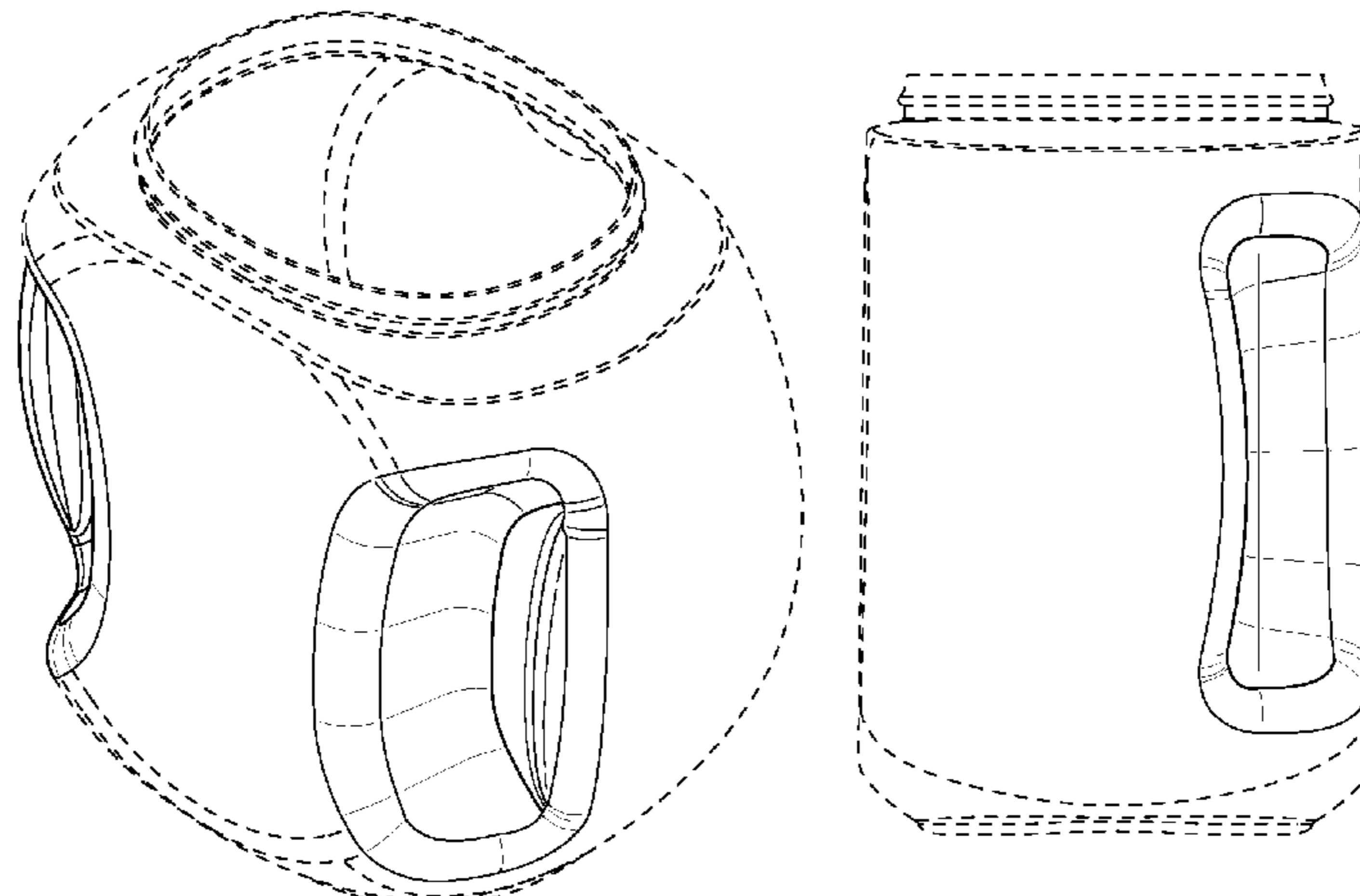
The ornamental design for a container, as shown and  
described.

**DESCRIPTION**

FIG. 1 is a top, front, and right side perspective view of a  
container embodying our new design;  
FIG. 2 is a top, back, and left side perspective view thereof;  
FIG. 3 is a front elevational view thereof;  
FIG. 4 is a back elevational view thereof;  
FIG. 5 is a left side elevational view thereof,  
FIG. 6 is a right side elevational view thereof;  
FIG. 7 is a top plan view thereof; and,  
FIG. 8 is a bottom plan view thereof.

The broken lines shown in the drawings are included for the  
purpose of illustrating environmental structure and form no  
part of the claimed design.

**1 Claim, 4 Drawing Sheets**



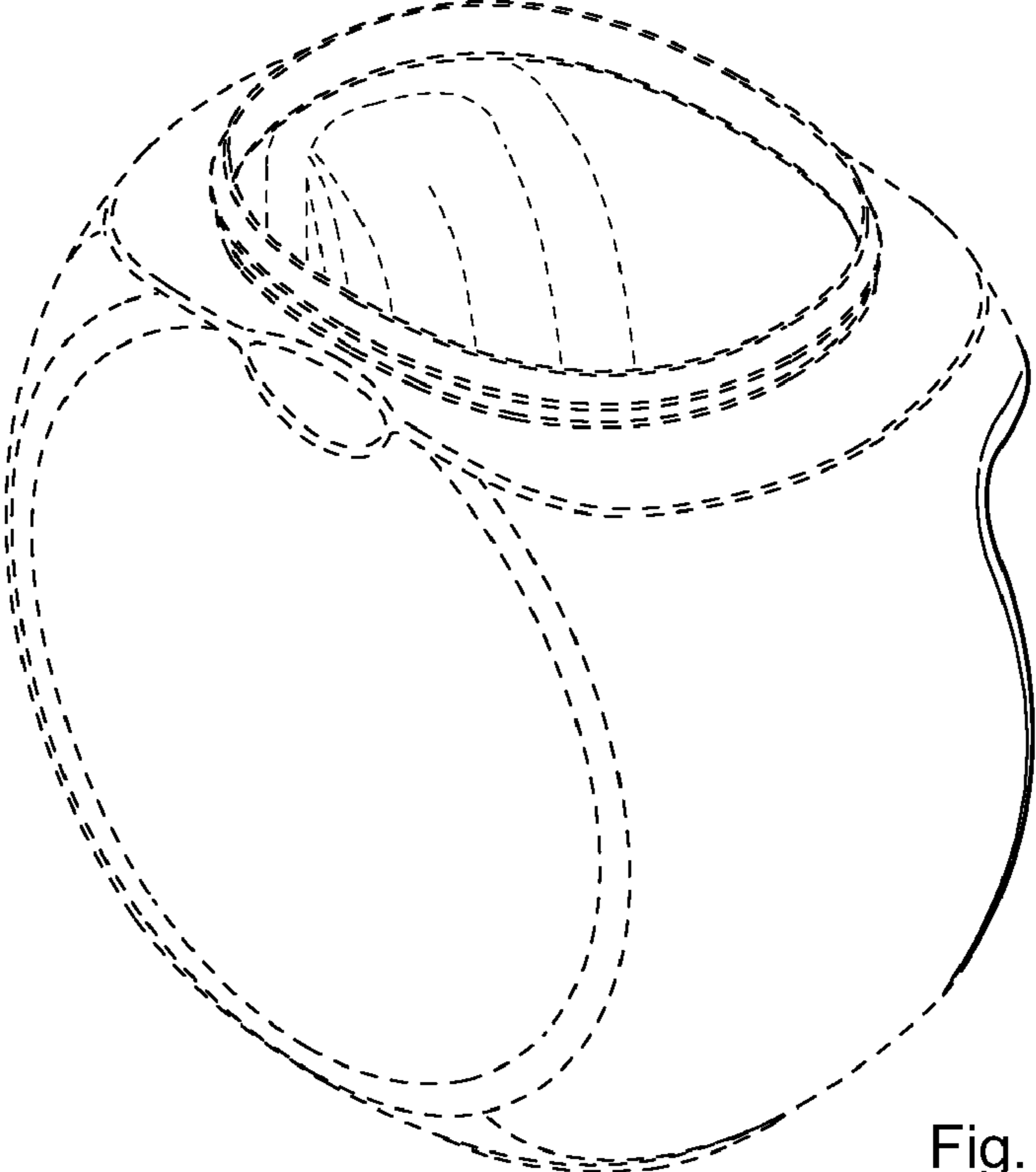


Fig. 1

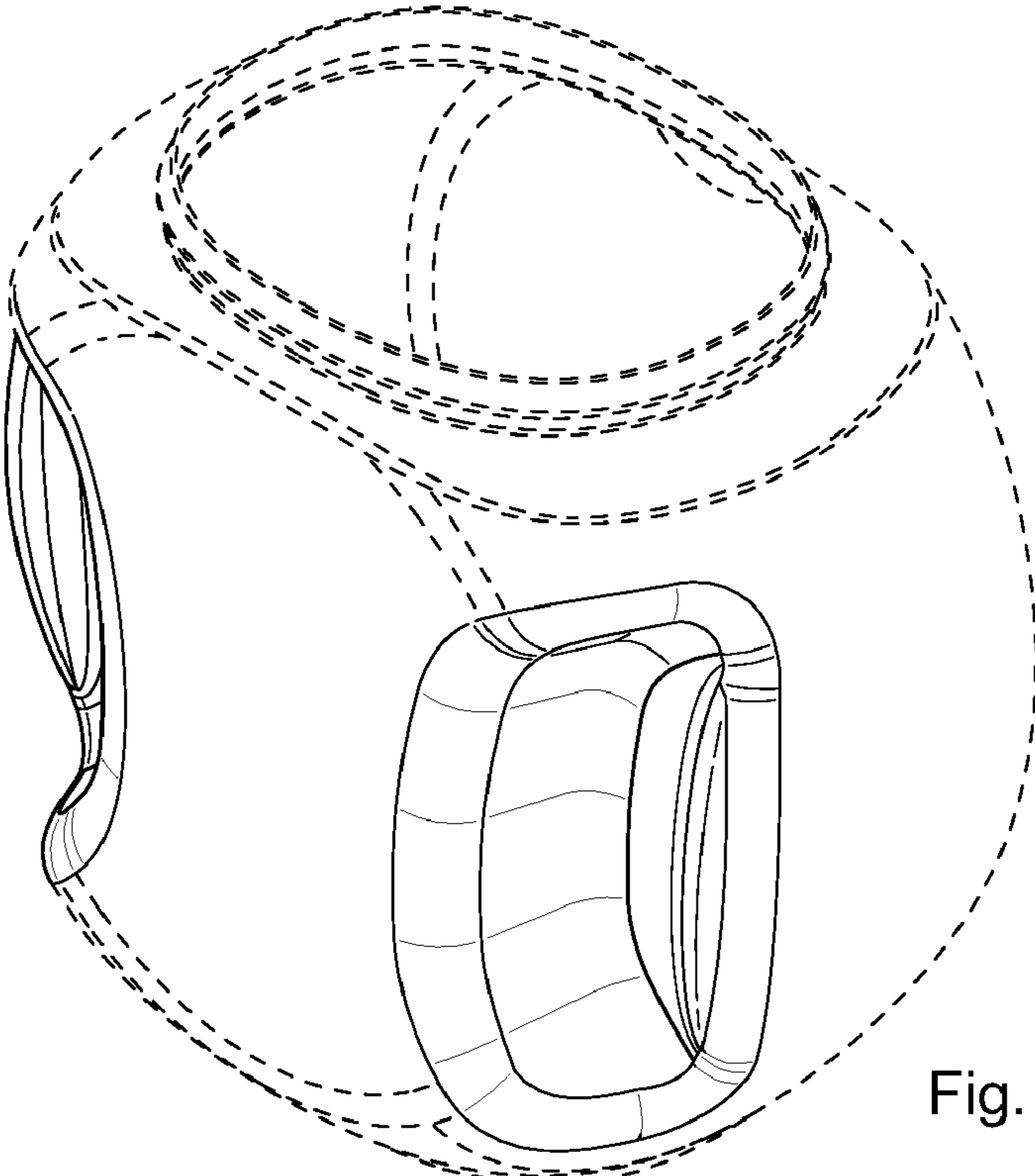


Fig. 2

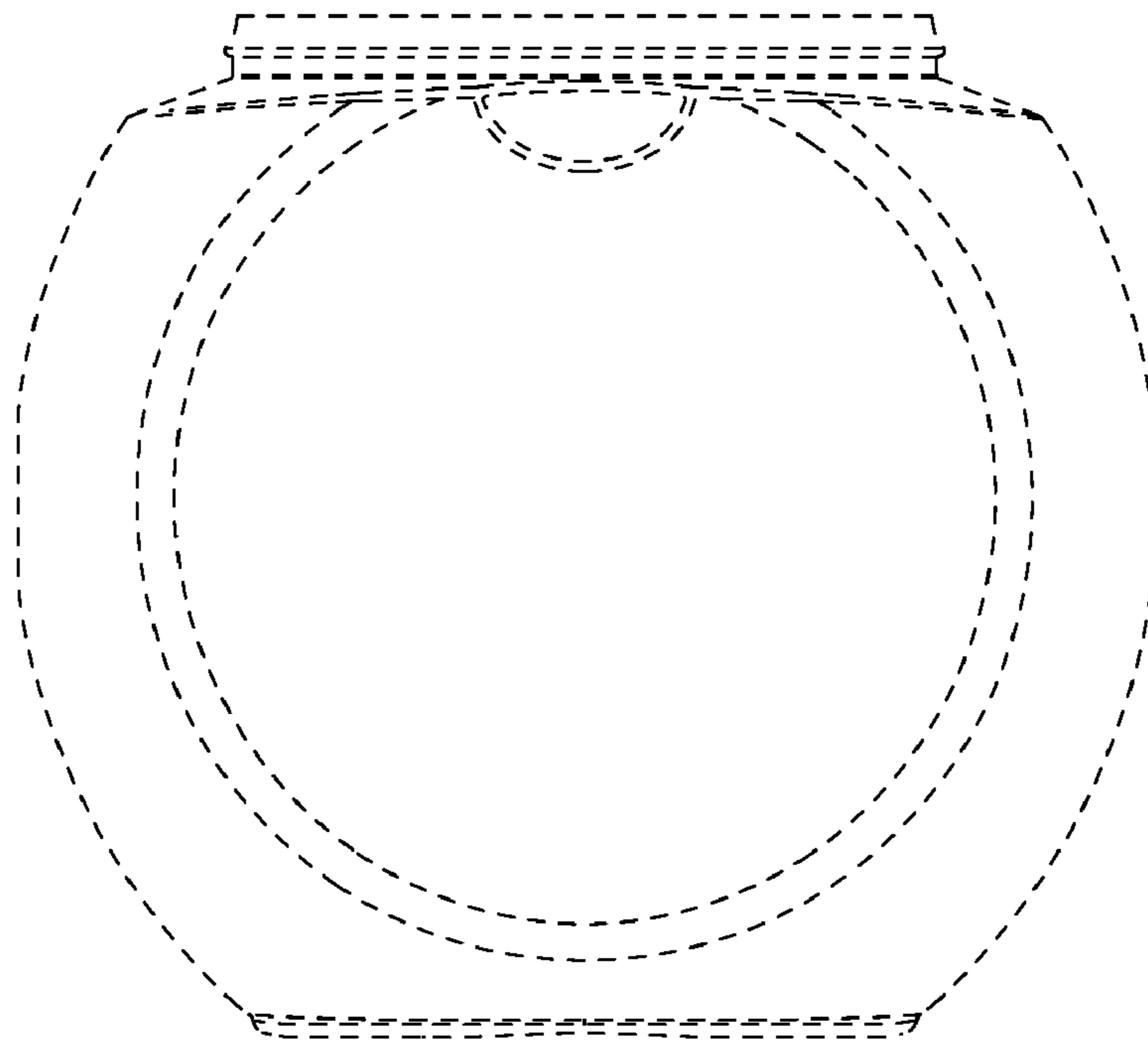


Fig. 3

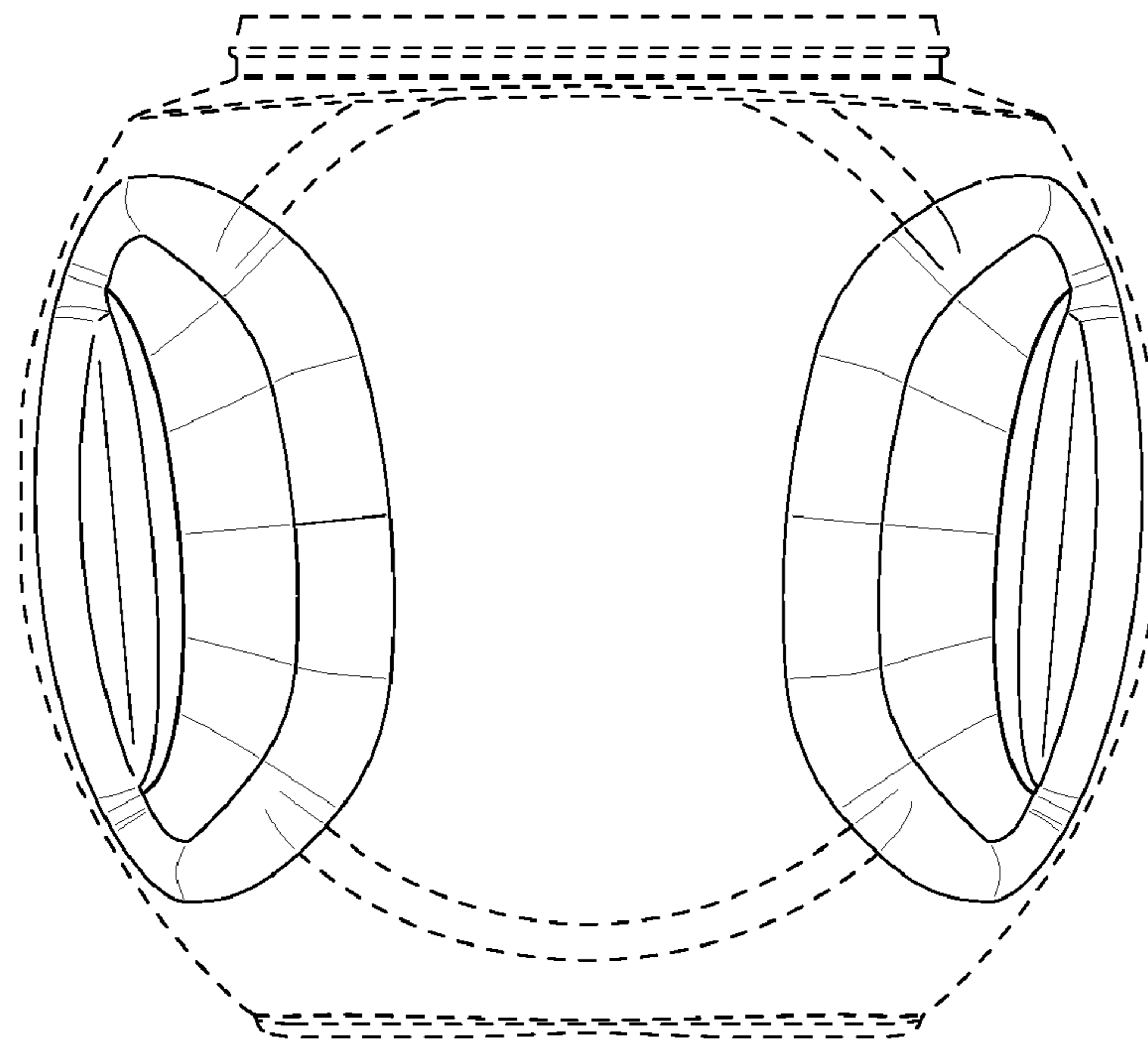


Fig. 4

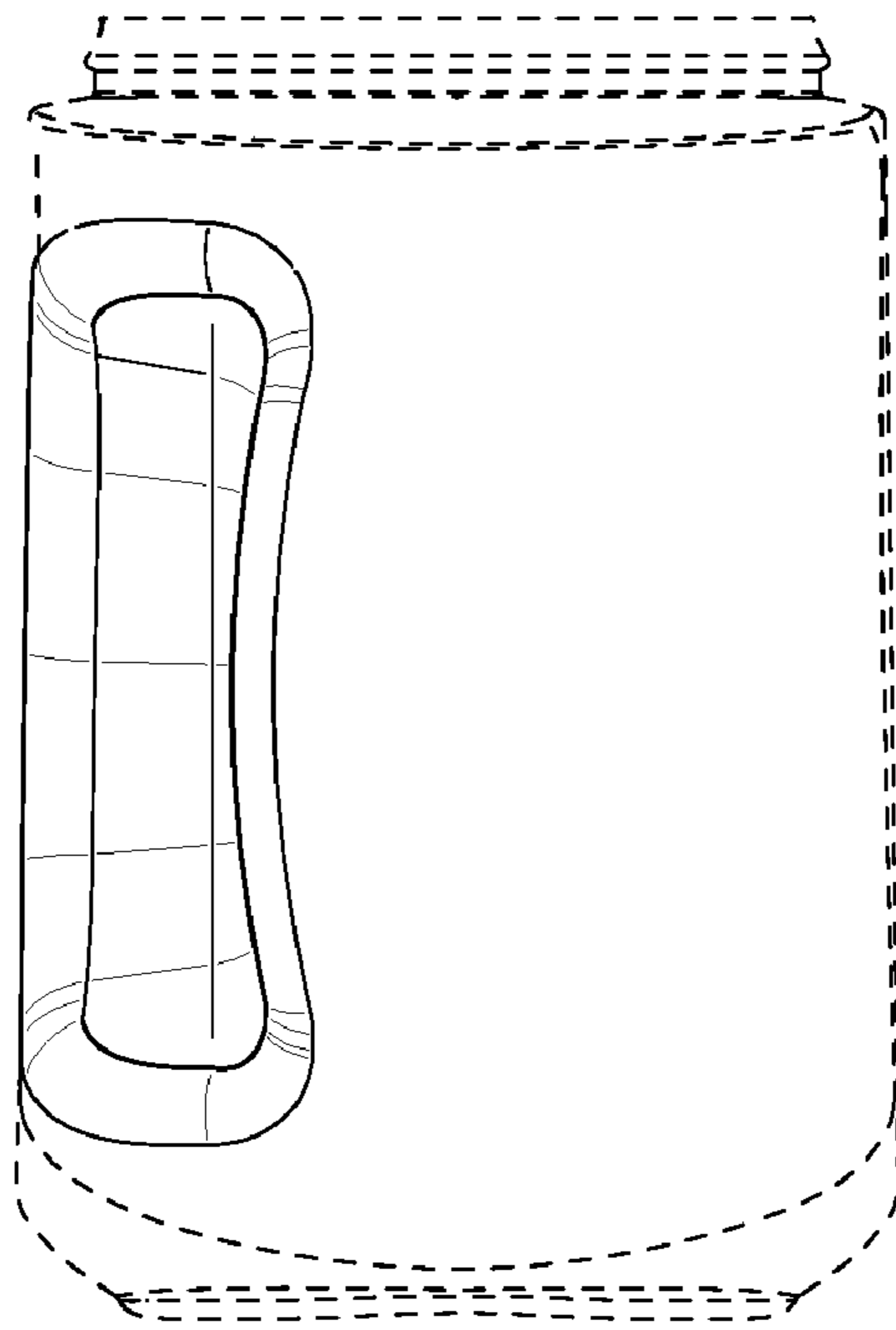


Fig. 5

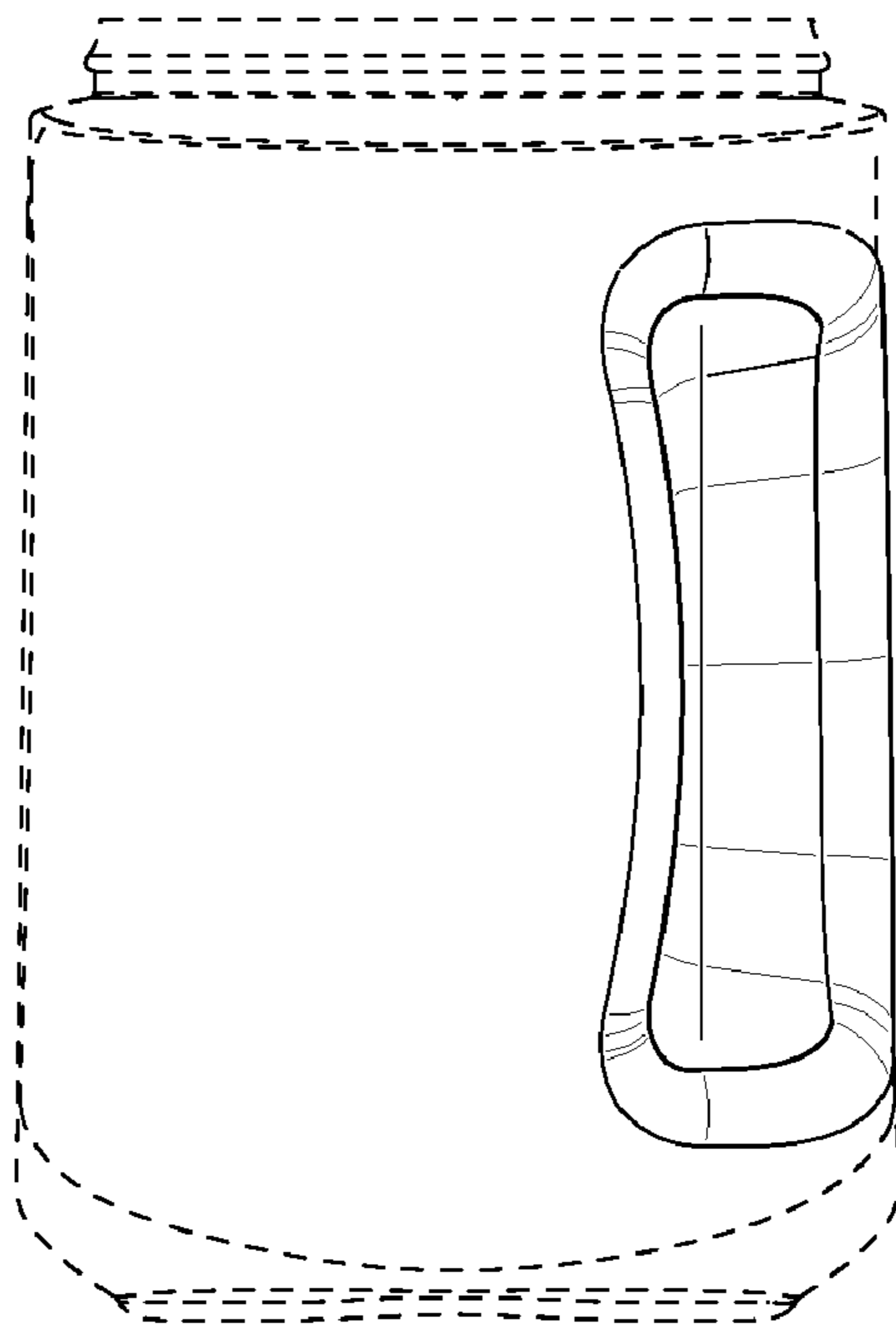


Fig. 6

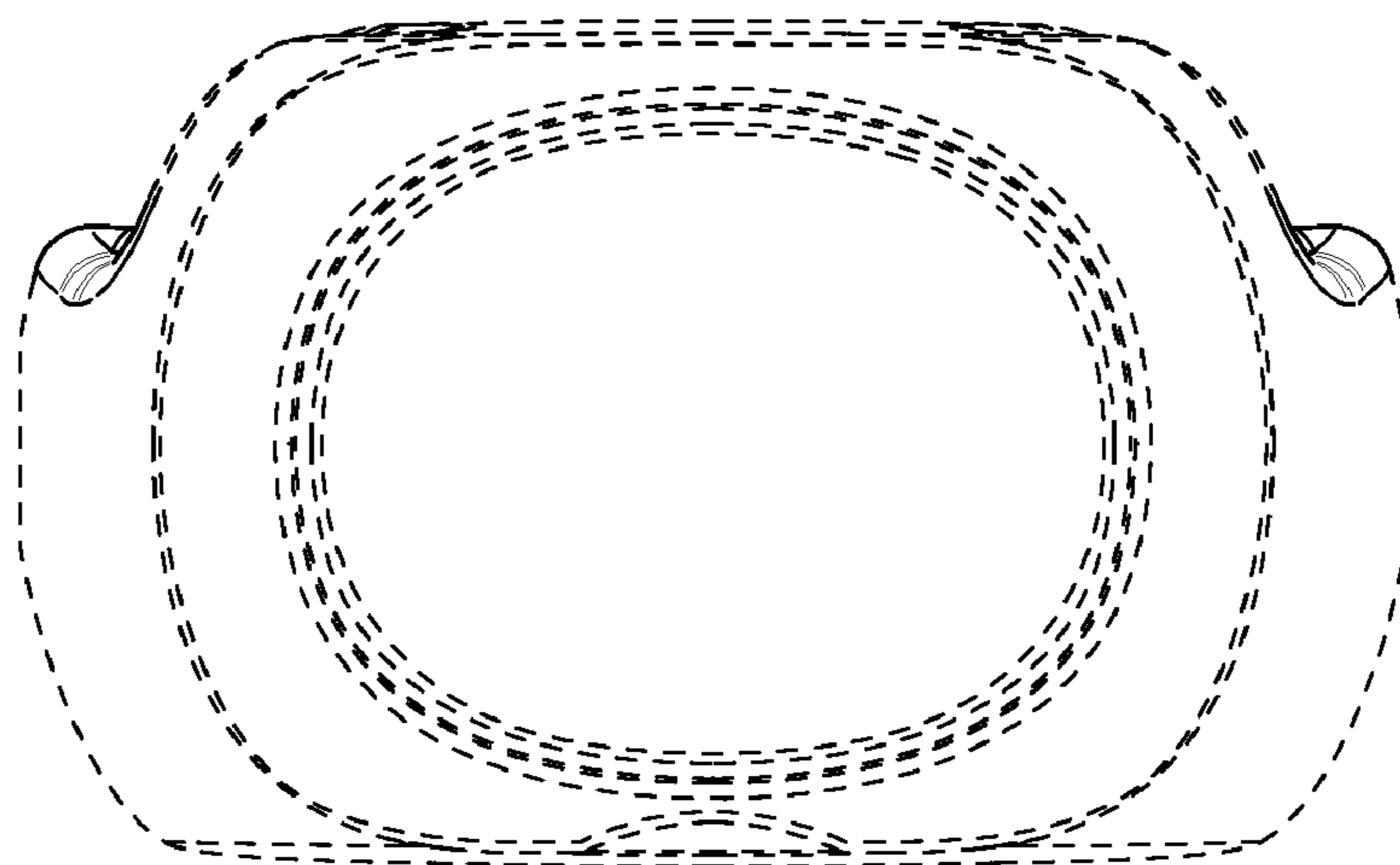


Fig. 7

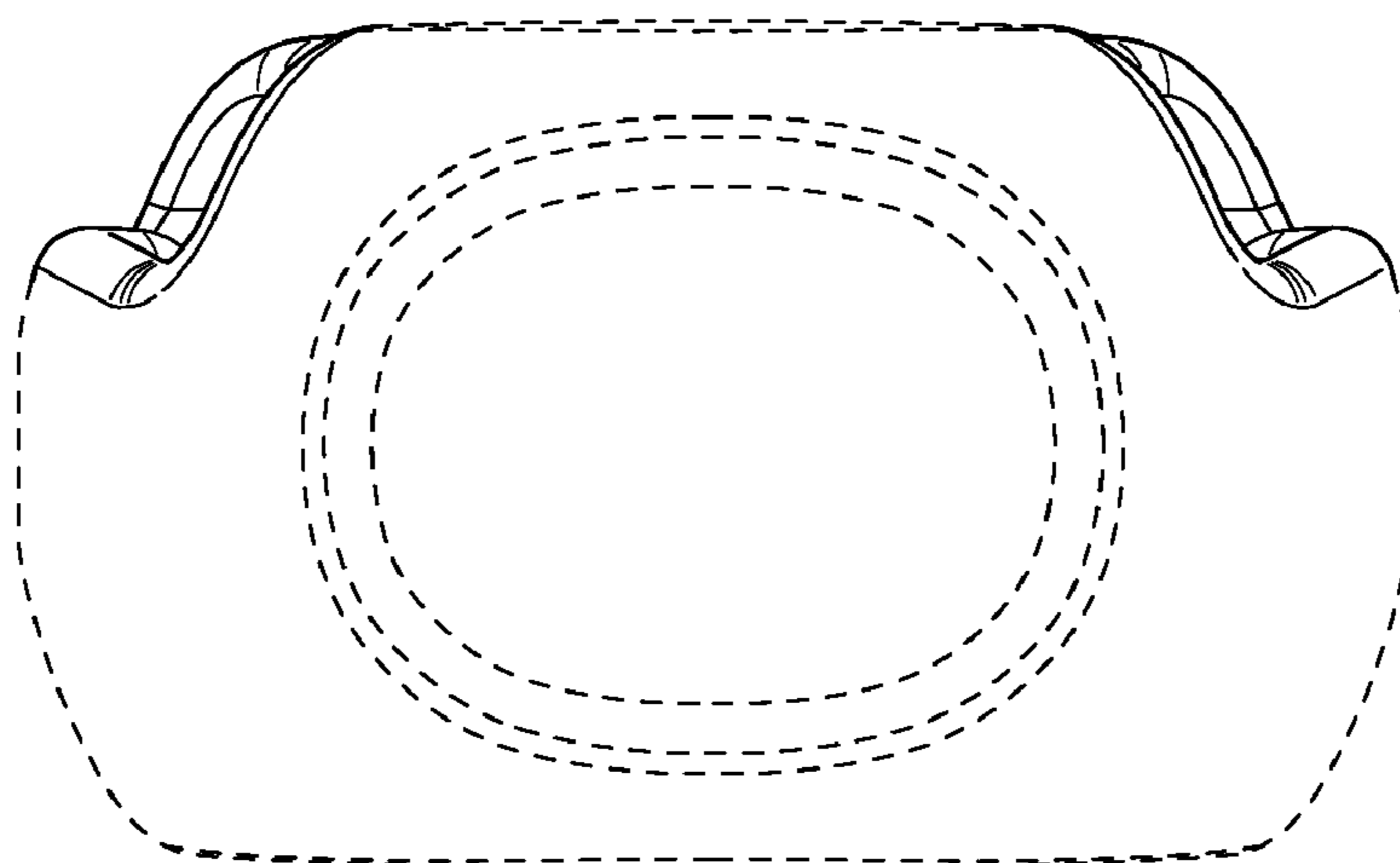


Fig. 8