

US00D660149S

(12) **United States Design Patent**  
**Grace**

(10) **Patent No.:** **US D660,149 S**

(45) **Date of Patent:** **\*\* May 22, 2012**

(54) **DECANTING BOTTLE TIP**

(76) Inventor: **Charlotte Grace**, Milwaukee, WI (US)

(\*\*) Term: **14 Years**

(21) Appl. No.: **29/392,110**

(22) Filed: **May 17, 2011**

**Related U.S. Application Data**

(62) Division of application No. 29/315,142, filed on May 29, 2009, now Pat. No. Des. 640,135.

(51) **LOC (9) Cl.** ..... **09-07**

(52) **U.S. Cl.** ..... **D9/447**

(58) **Field of Classification Search** ..... D9/500,  
D9/502-505, 529, 537, 539, 549, 682, 686,  
D9/688-692, 772, 776-780, 723-724, 435,  
D9/447; D7/510-511, 300, 300.1, 605, 608,  
D7/598; D24/224, 121, 129, 216; 215/379,  
215/382, 384; 220/660, 662, 669, 675

See application file for complete search history.

(56) **References Cited**

**U.S. PATENT DOCUMENTS**

299,170 A	5/1884	Shafer
D70,792 S	8/1926	Guerin
1,651,485 A	12/1927	Thesen
2,050,246 A	8/1936	Colvin
2,500,639 A	3/1950	Lerner
2,543,724 A	2/1951	Iwanowski
2,694,515 A	11/1954	Green
2,855,131 A	10/1958	Gewecke et al.
3,580,423 A	5/1971	Gilman
D261,085 S	10/1981	Ventura
D264,795 S	6/1982	Strieber
D295,380 S	4/1988	Virag et al.
5,000,236 A	3/1991	Jemison
5,133,481 A	7/1992	Mayfield
D331,653 S	12/1992	Stone
5,220,949 A	6/1993	Rufenacht
5,485,872 A	1/1996	Kerger
D447,798 S	9/2001	Rudzana et al.
D448,077 S	9/2001	Rudzana et al.

D453,472 S	2/2002	Kwong	
D459,229 S *	6/2002	Paul	D9/529
D472,630 S	4/2003	Douglas et al.	
D495,416 S	8/2004	Dimeo et al.	
D524,648 S	7/2006	Feist et al.	
D537,360 S	2/2007	Snell	
D596,487 S	7/2009	Batton et al.	
D630,318 S	1/2011	Goodwin	
D630,732 S	1/2011	Lev et al.	
D640,135 S *	6/2011	Grace	D9/503
2004/0118477 A1	6/2004	Desmond	

\* cited by examiner

*Primary Examiner* — Ian Simmons

*Assistant Examiner* — Dana L Sipos

(74) *Attorney, Agent, or Firm* — Ryan Kromholz & Manion, S.C.

(57) **CLAIM**

The ornamental design for decanting bottle tip, as shown and described.

**DESCRIPTION**

FIG. 1 is a perspective view of a first embodiment of the present invention;

FIG. 2 is a front elevation view thereof;

FIG. 3 is a rear elevation view thereof;

FIG. 4 is a right side elevation view thereof;

FIG. 5 is a left side elevation view thereof;

FIG. 6 is a top plan view thereof; and

FIG. 7 is a bottom plan view thereof.

FIG. 8 is a perspective view of a second embodiment of the present invention;

FIG. 9 is a front elevation view thereof;

FIG. 10 is a rear elevation view thereof;

FIG. 11 is a right side elevation view thereof;

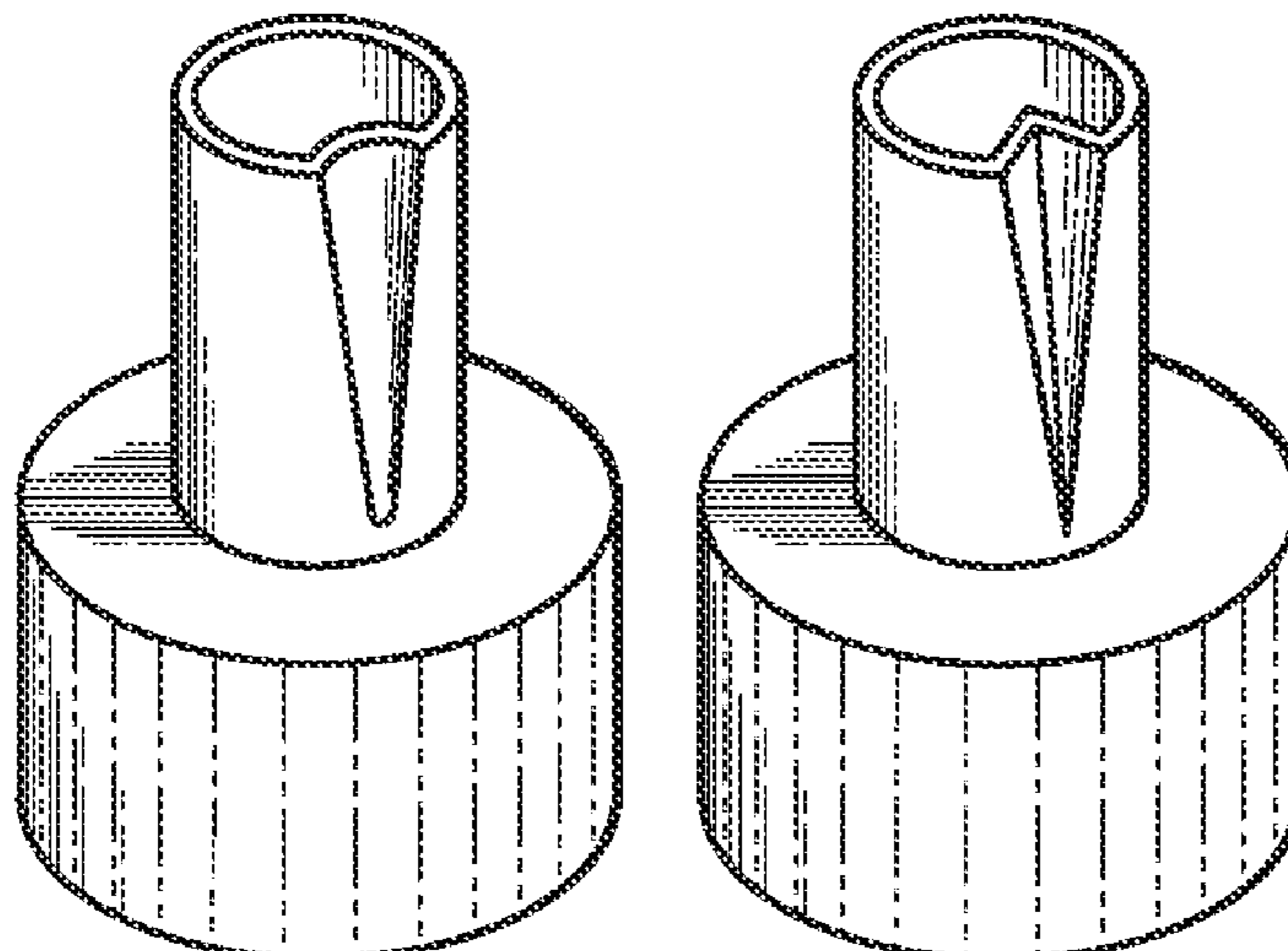
FIG. 12 is a left side elevation view thereof;

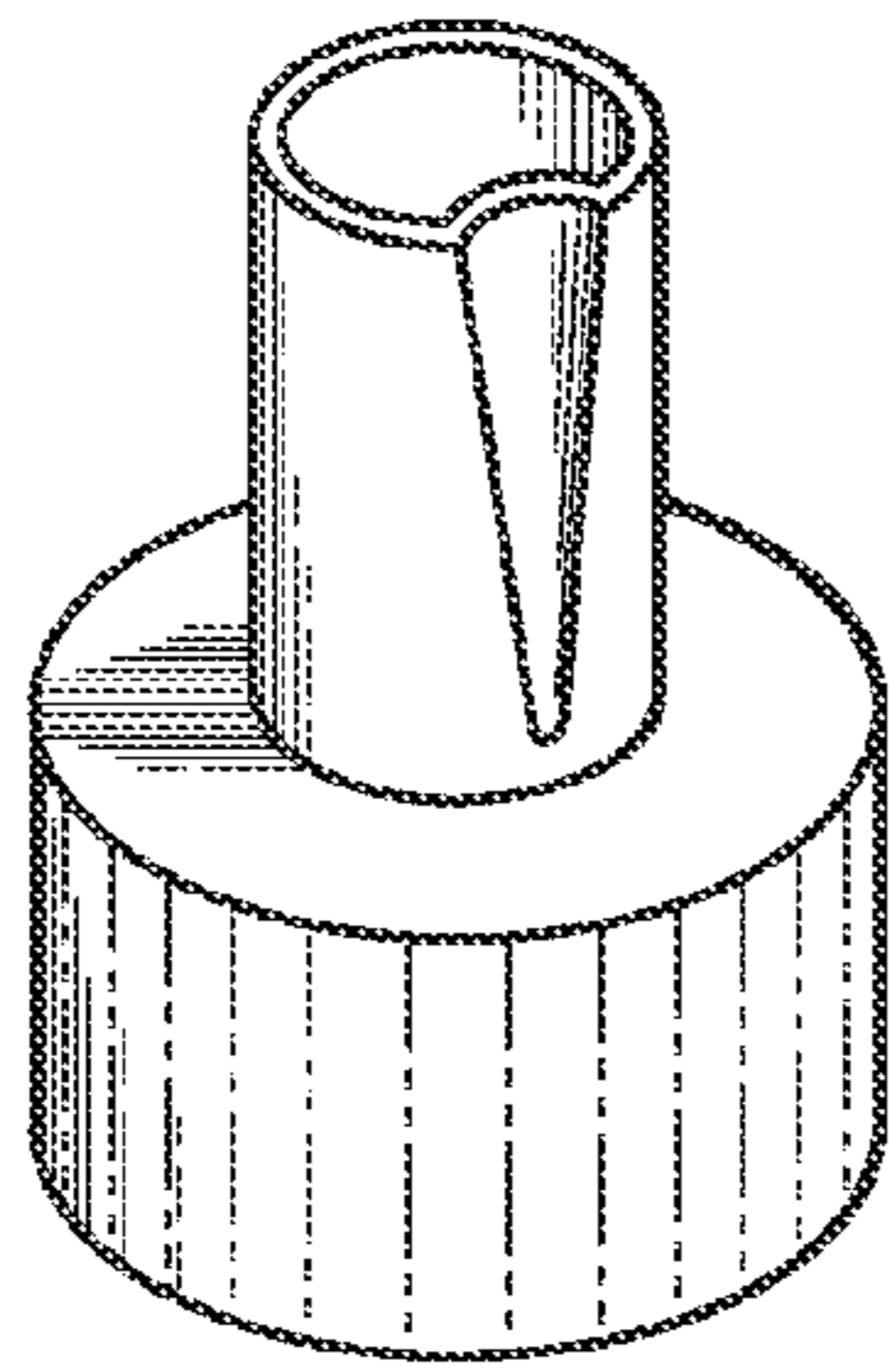
FIG. 13 is a top plan view thereof; and,

FIG. 14 is a bottom plan view thereof.

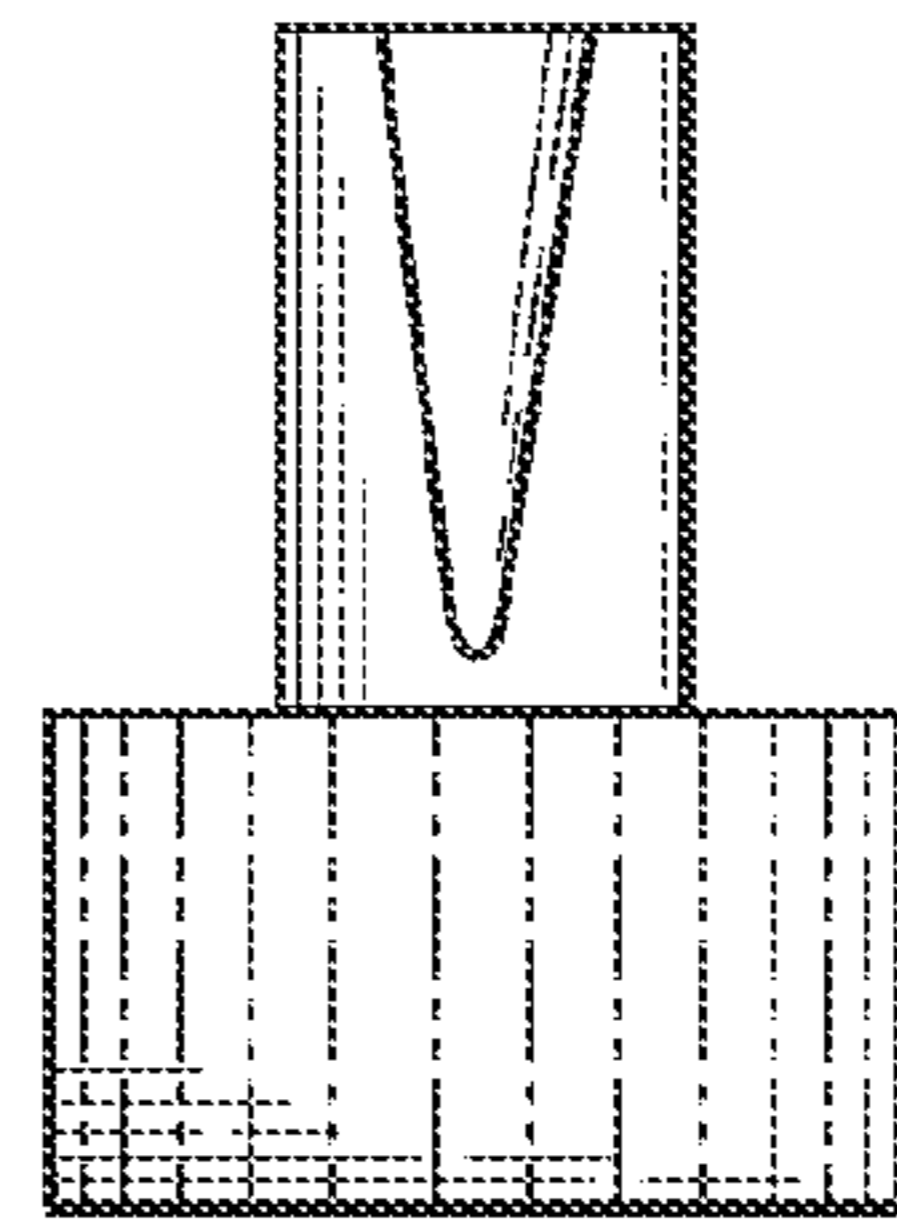
The dot-dot-dash broken lines in the drawings illustrate the portions of the design that form no part of the claim.

**1 Claim, 2 Drawing Sheets**

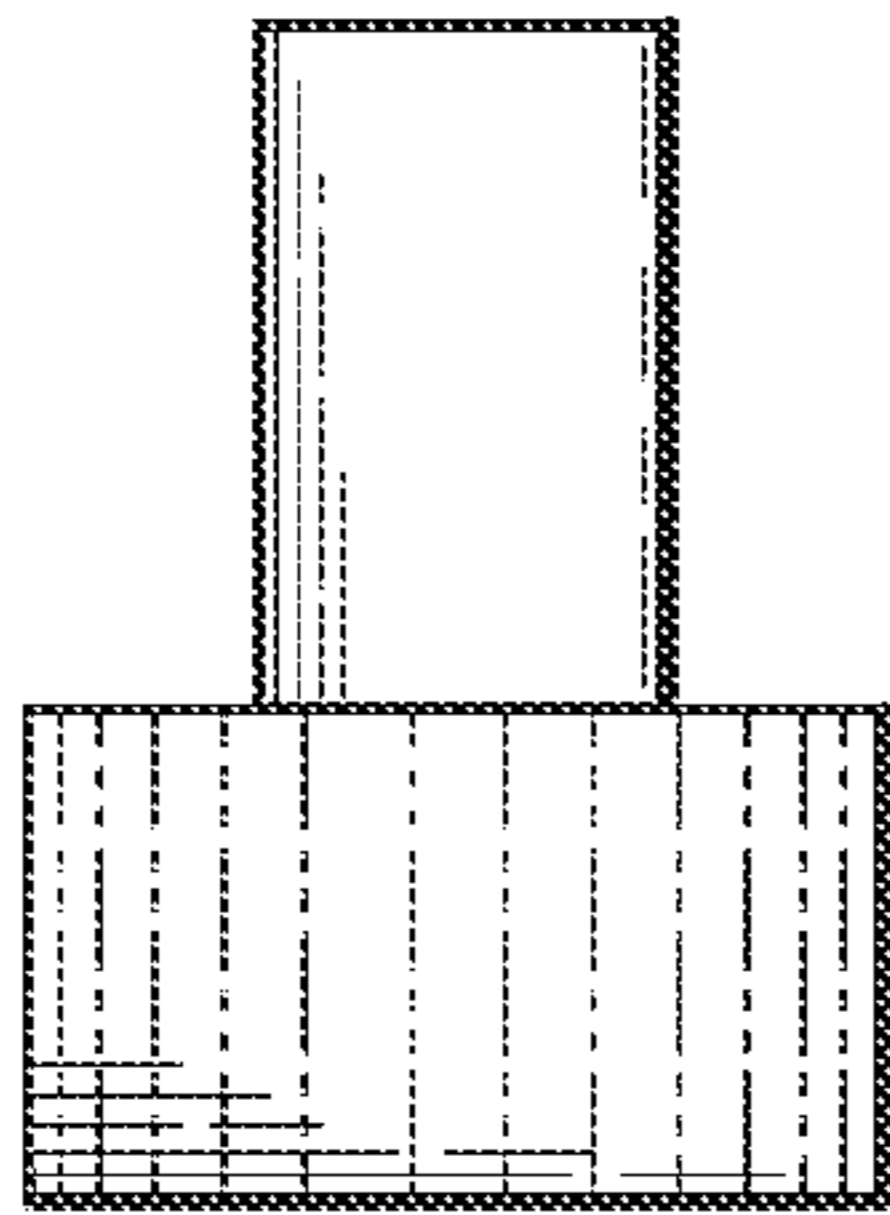




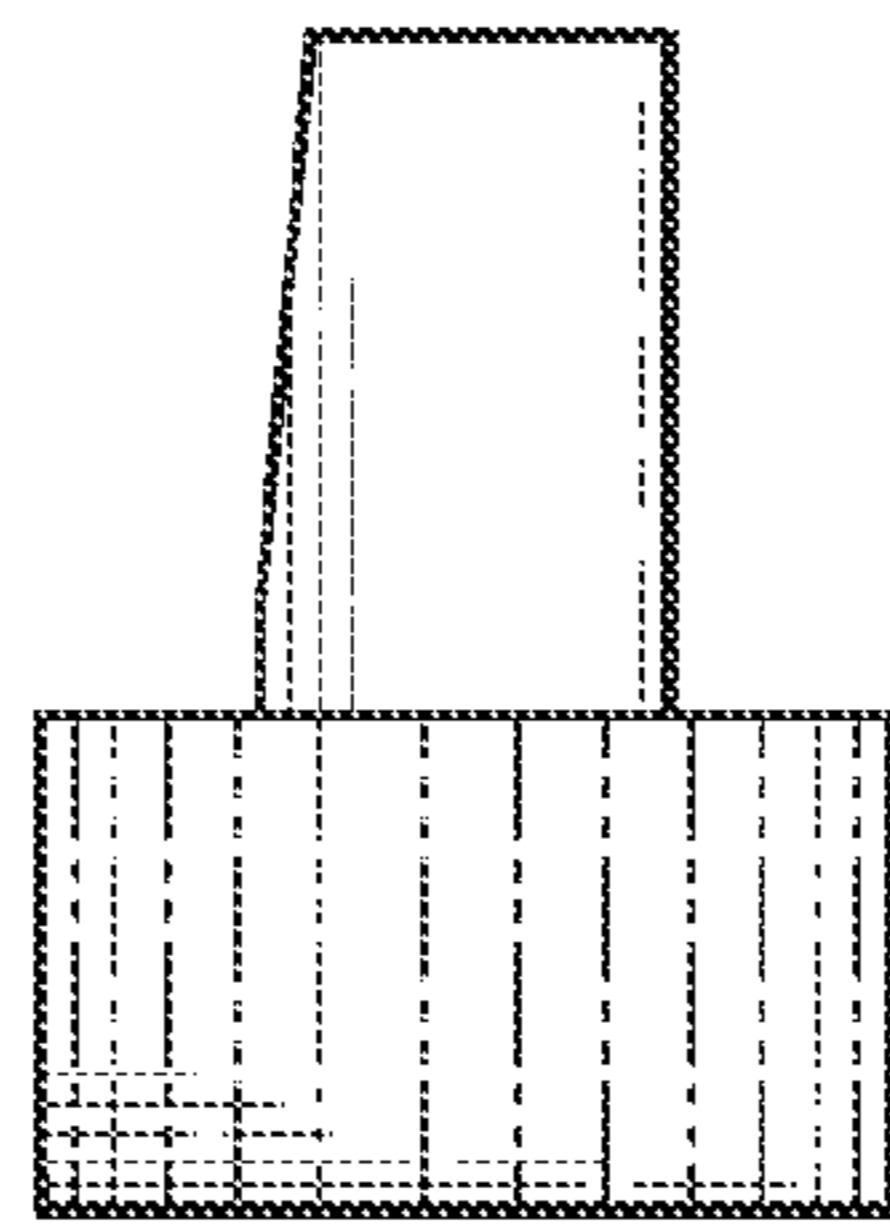
*Fig. 1*



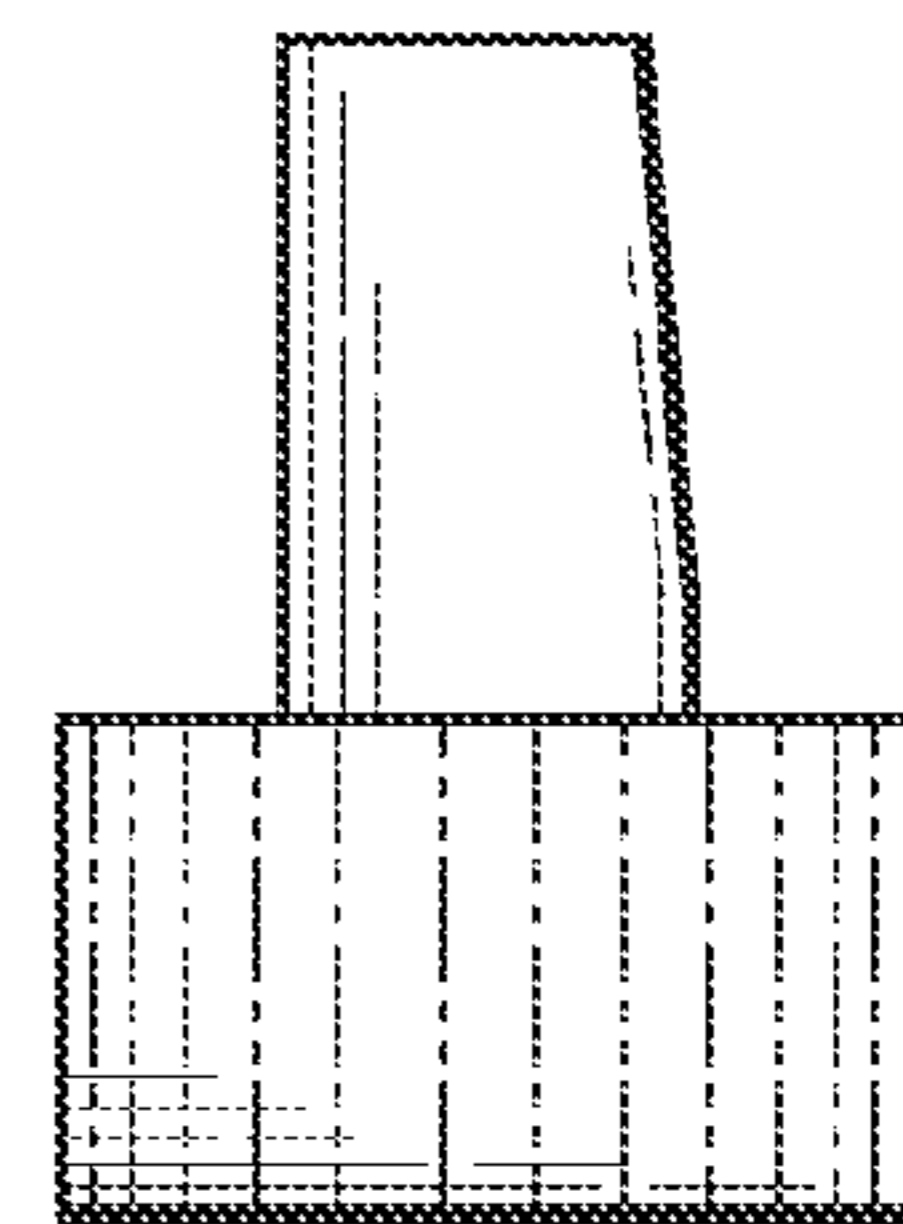
*Fig. 2*



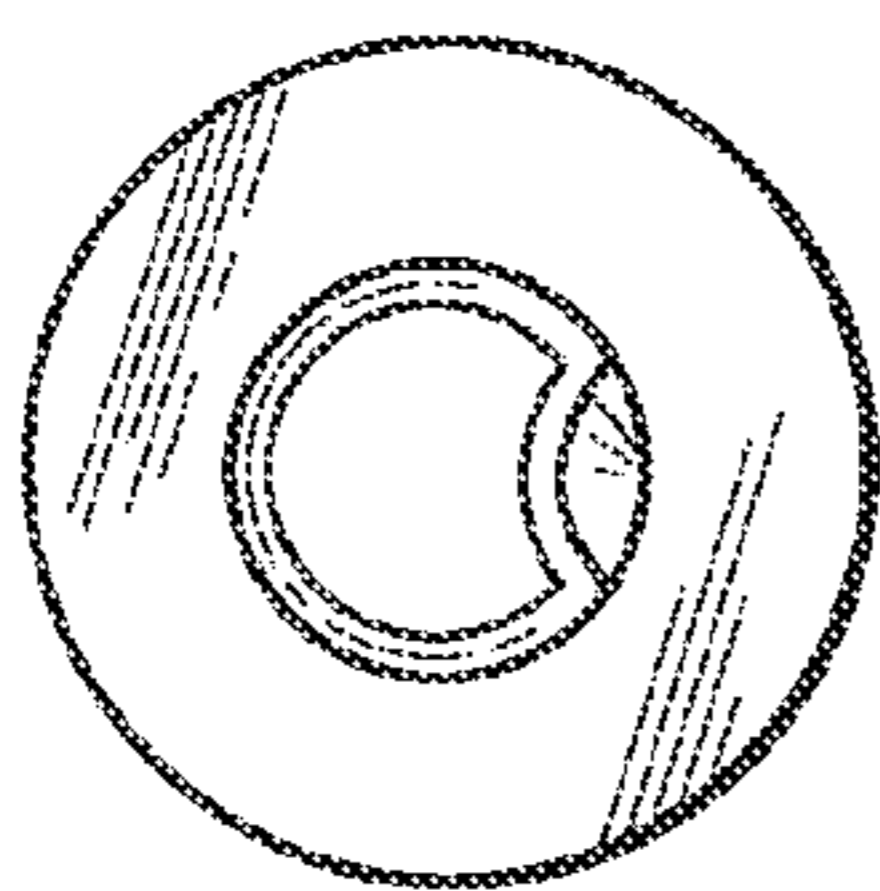
*Fig. 3*



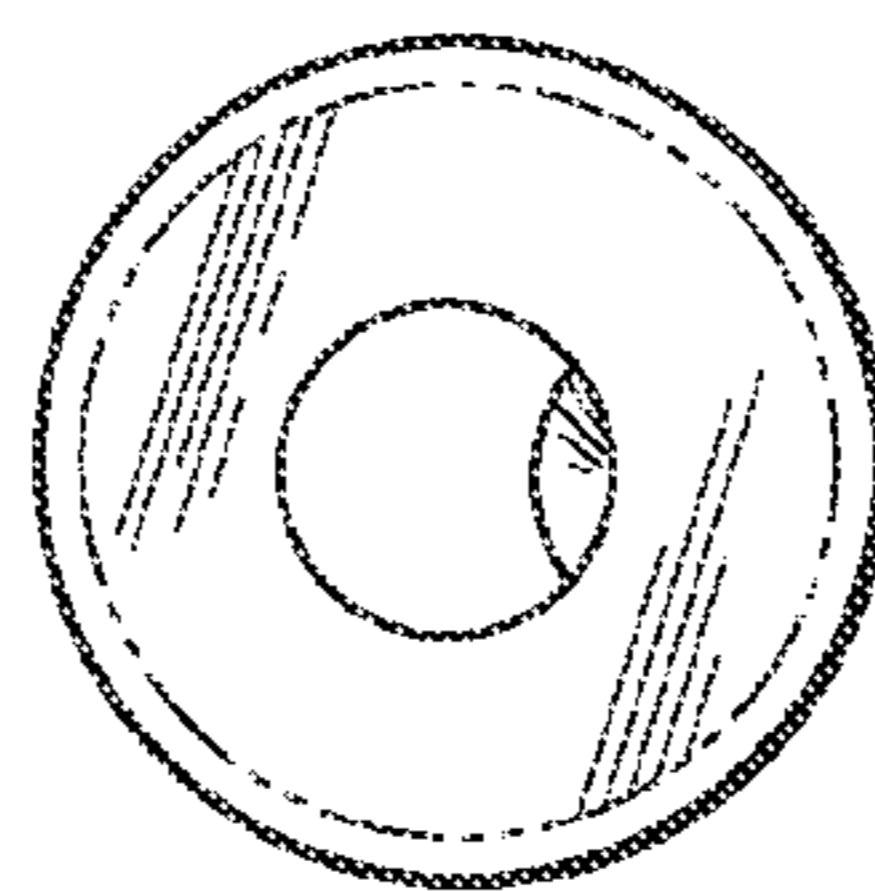
*Fig. 4*



*Fig. 5*



*Fig. 6*



*Fig. 7*

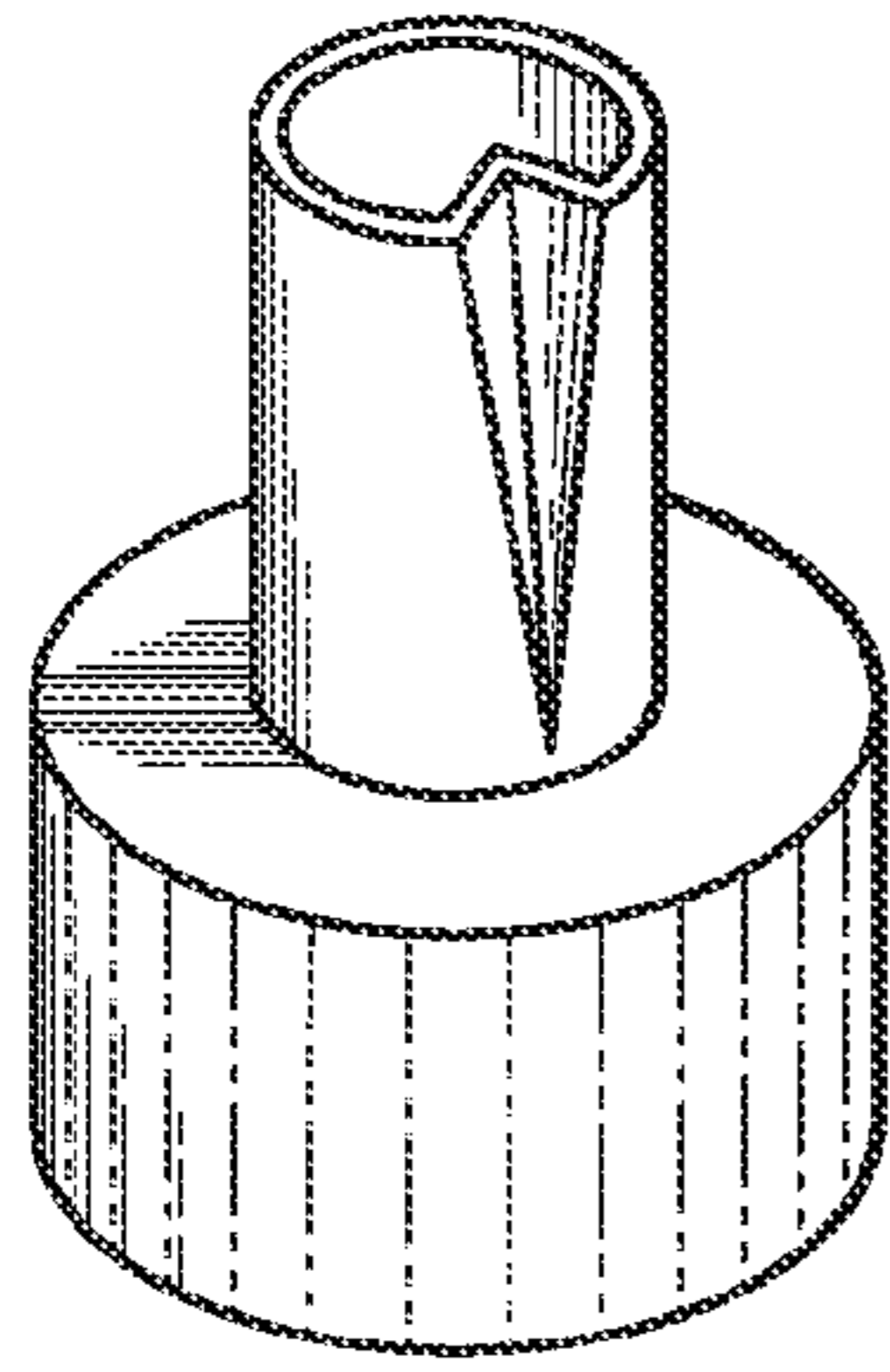


Fig. 8

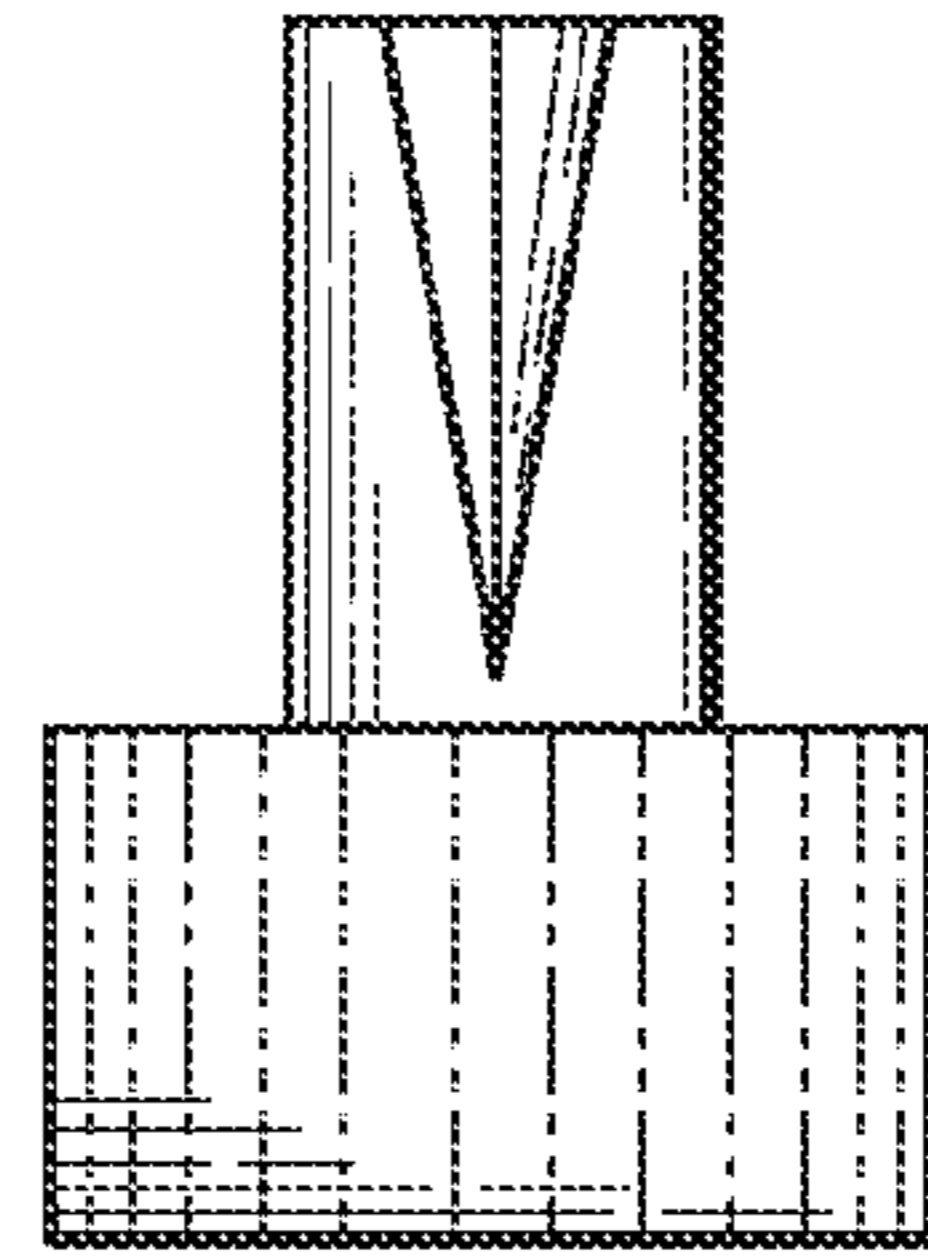


Fig. 9

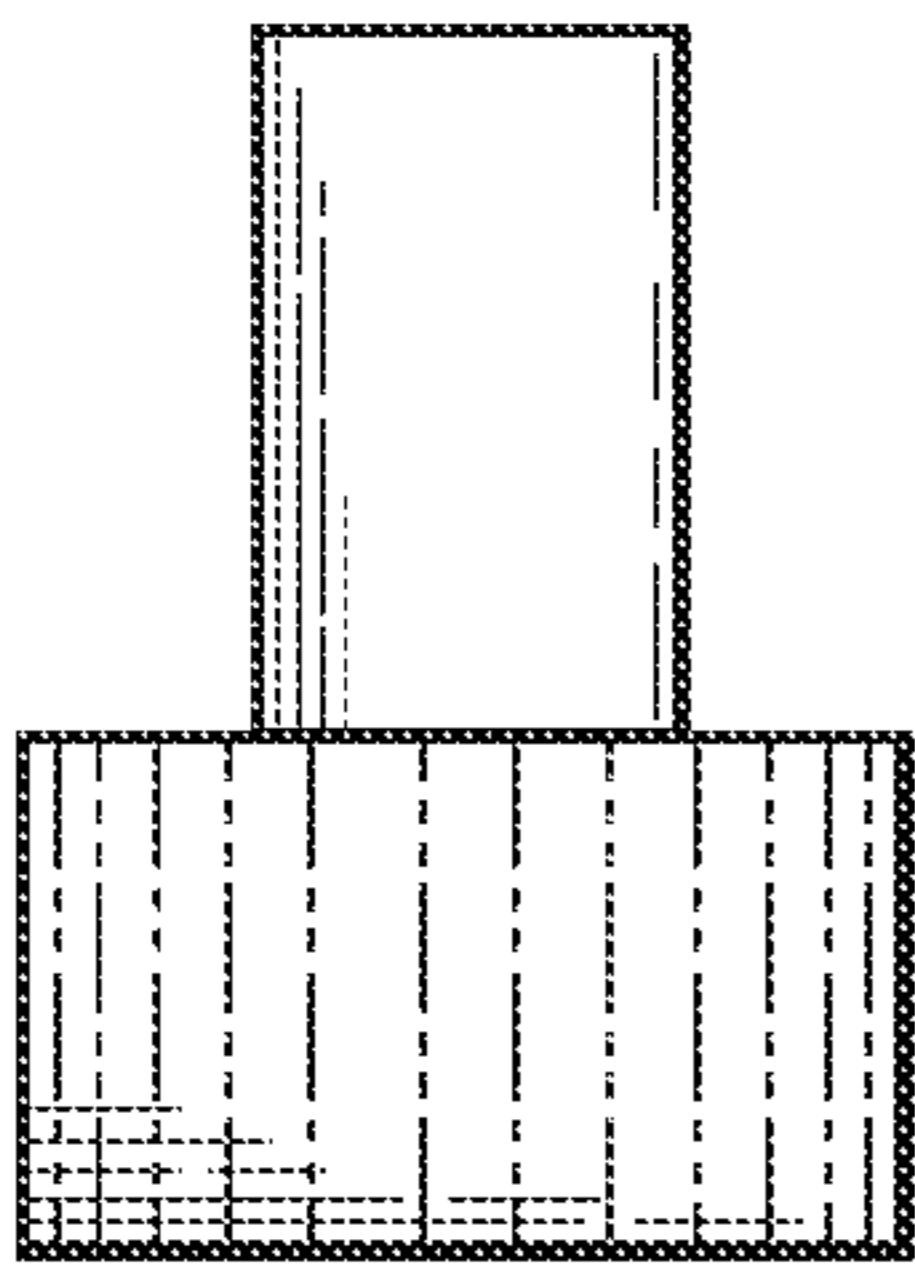


Fig. 10

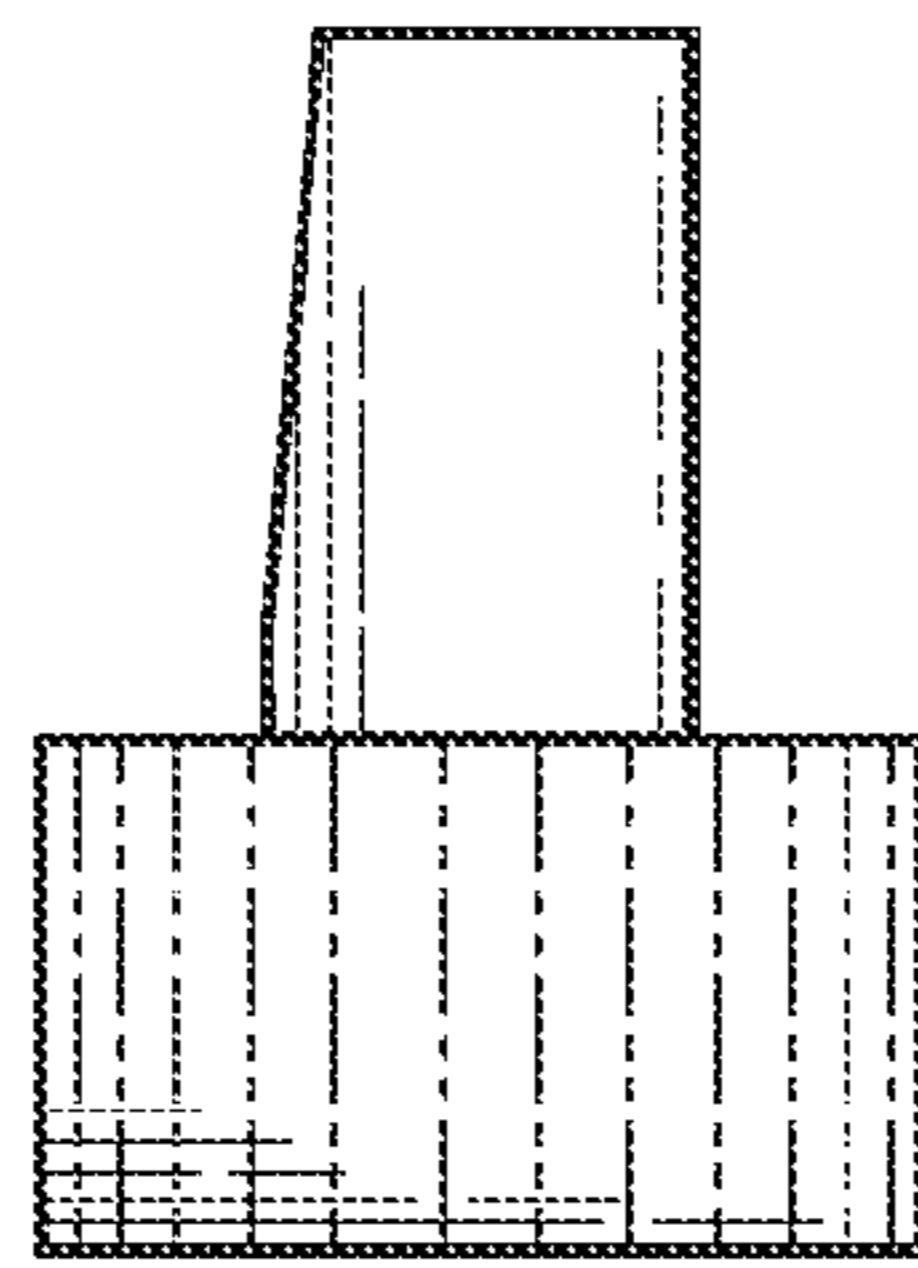


Fig. 11

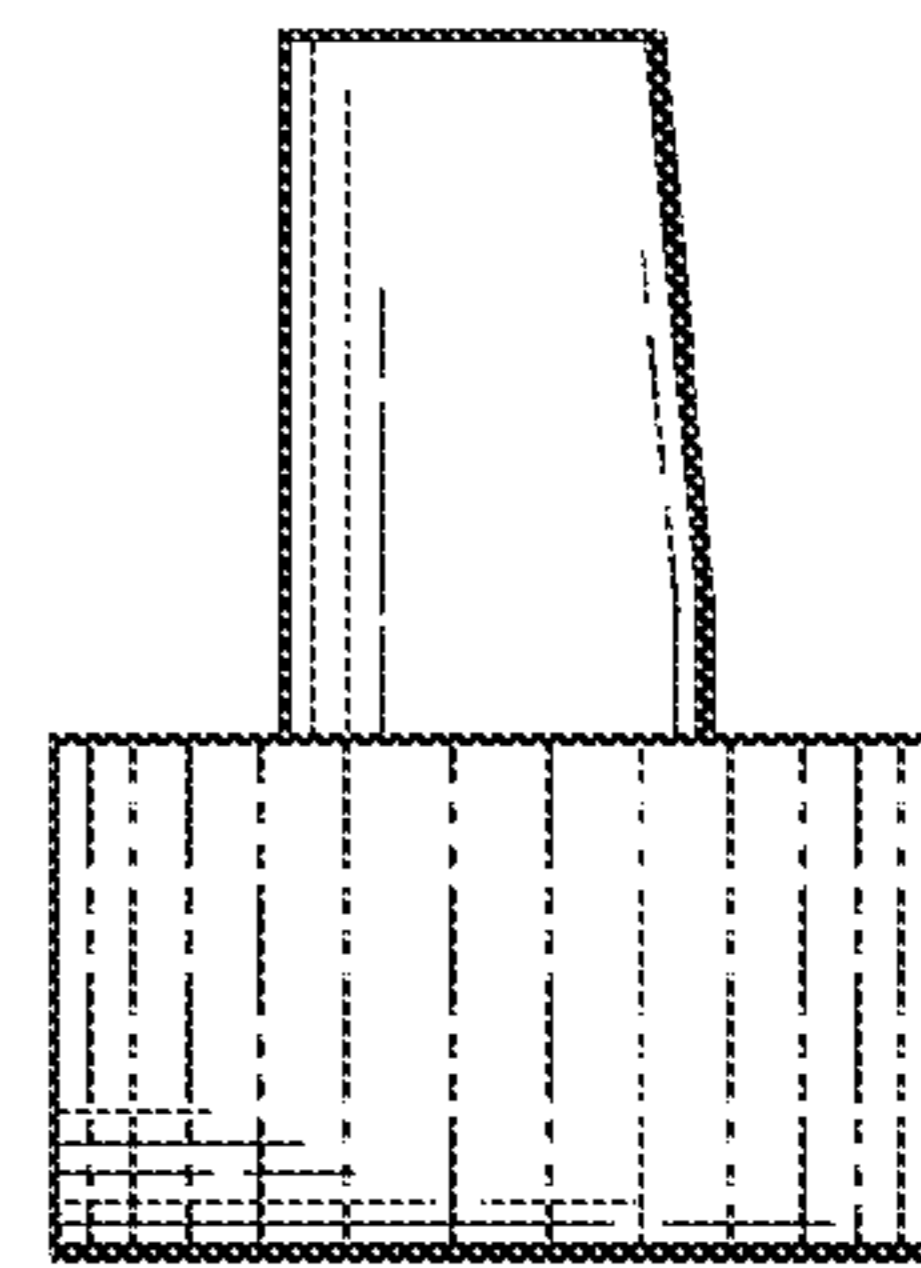


Fig. 12

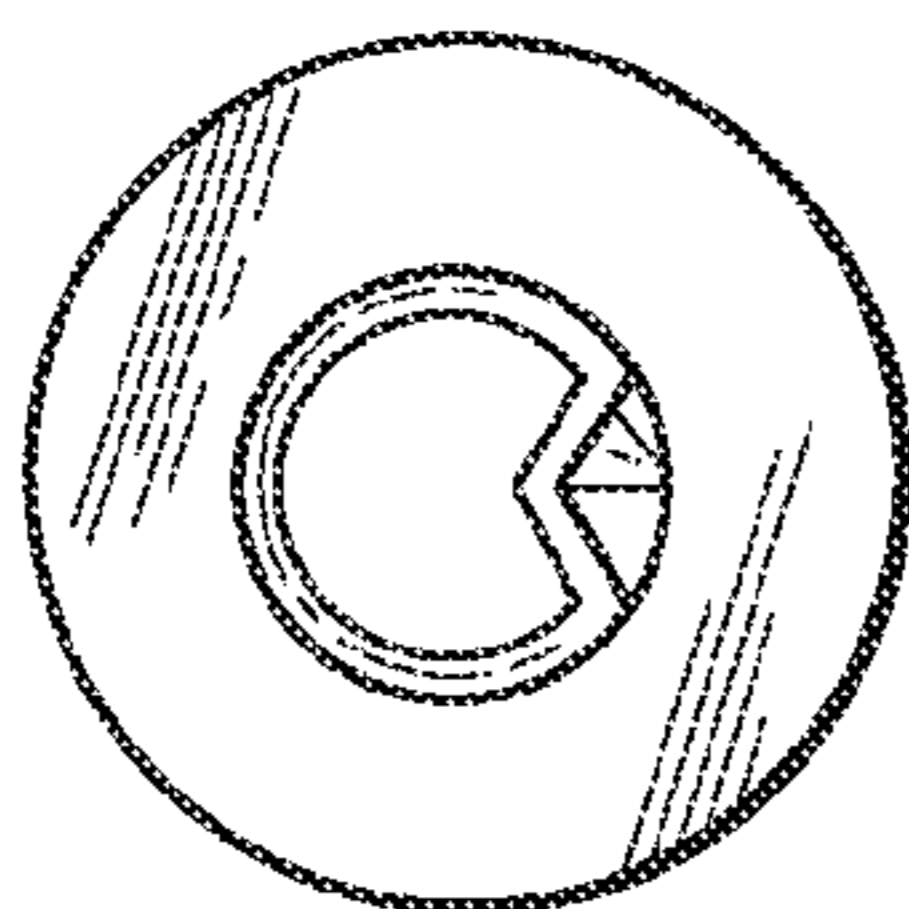


Fig. 13

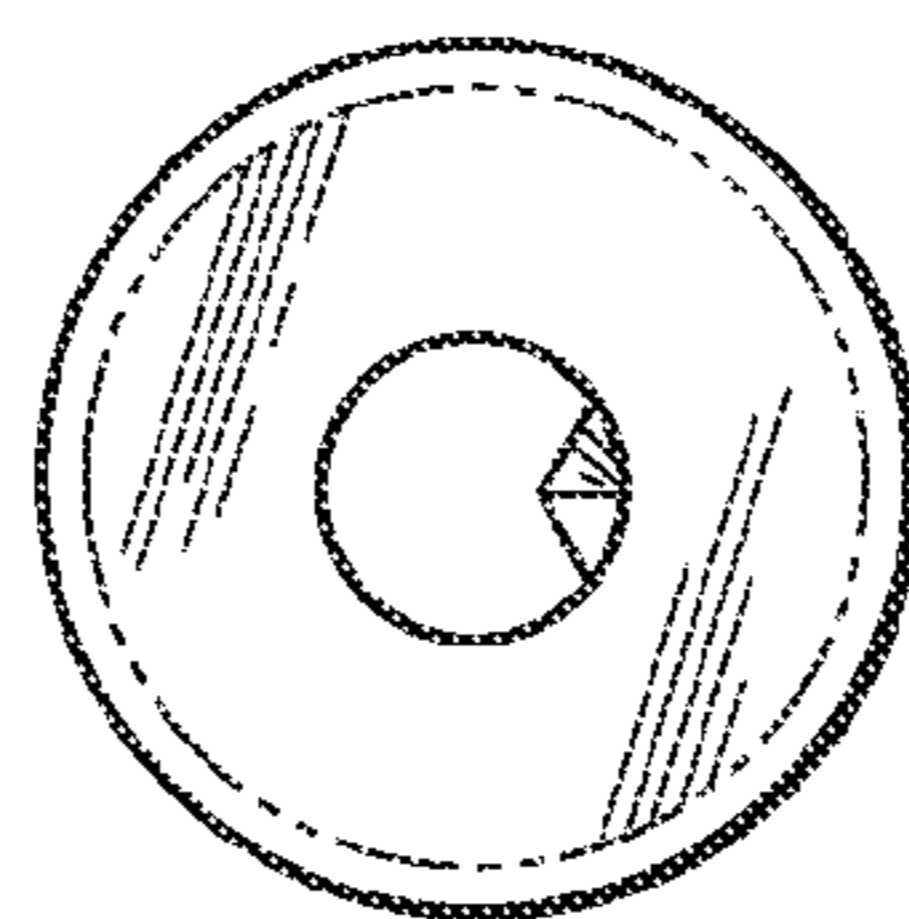


Fig. 14