

US00D660145S

(12) **United States Design Patent**
Tekulve et al.

(10) **Patent No.:** **US D660,145 S**

(45) **Date of Patent:** **** May 22, 2012**

(54) **PACKAGING CONTAINER WITH SURFACE ORNAMENTATION**

(75) Inventors: **Thomas John Tekulve**, Independence, KY (US); **Jennifer Frankovich Rippe**, Cincinnati, OH (US); **Molly A. Hablutzel**, Burlington, KY (US); **John Stephen Eadicicco**, West Chester, OH (US)

(73) Assignee: **The Procter and Gamble Company**, Cincinnati, OH (US)

(**) Term: **14 Years**

(21) Appl. No.: **29/365,186**

(22) Filed: **Jul. 6, 2010**

(51) **LOC (9) Cl.** **09-03**

(52) **U.S. Cl.** **D9/432**

(58) **Field of Classification Search** D9/430-433, D9/414, 418, 420-423, 434, 614, 643; D24/155; 206/278, 297, 299, 457, 770, 737, 822; 229/100, 229/101, 101.3, 106, 108, 108.1, 116.1, 116.3, 229/116.5, 121, 122, 201, 213, 221, 222, 229/227, 922, 939, 942, 87.08, 101.2, 193, 229/195, 197; D5/7, 11, 12, 14, 16, 19, 20, D5/25, 26, 27, 30, 57, 47, 53, 61-63
See application file for complete search history.

(56) **References Cited**

U.S. PATENT DOCUMENTS

| | | | | |
|---------------|---------|-----------------|-------|---------|
| D91,490 S * | 2/1934 | Lewy | | D20/33 |
| 3,481,454 A * | 12/1969 | King | | 206/216 |
| 3,556,388 A * | 1/1971 | Klein | | 229/247 |
| 4,863,035 A * | 9/1989 | Hiroshima | | 229/244 |
| 5,010,669 A * | 4/1991 | Moran | | 40/539 |
| 5,226,532 A * | 7/1993 | Davidson et al. | | 206/232 |
| D345,101 S * | 3/1994 | Abrams | | D9/423 |
| D429,325 S * | 8/2000 | Macaree | | D23/367 |
| D500,788 S * | 1/2005 | Kaplan | | D19/8 |
| D524,654 S * | 7/2006 | Harada et al. | | D9/457 |
| D526,194 S * | 8/2006 | Hamuro et al. | | D9/432 |
| D558,570 S * | 1/2008 | Sheppard et al. | | D9/418 |
| D584,139 S * | 1/2009 | Himeda et al. | | D9/415 |

| | | | | |
|--------------|---------|-----------------|-------|--------|
| D586,210 S * | 2/2009 | Noschang et al. | | D9/434 |
| D588,910 S * | 3/2009 | Kim | | D9/433 |
| D589,359 S * | 3/2009 | Kusumi | | D9/600 |
| D608,636 S * | 1/2010 | Seol | | D9/432 |
| D610,002 S * | 2/2010 | Frank | | D9/432 |
| D626,010 S * | 10/2010 | Criss et al. | | D9/711 |
| D627,569 S * | 11/2010 | Seum et al. | | D5/63 |
| D628,063 S * | 11/2010 | Kusumi et al. | | D9/432 |
| D631,341 S * | 1/2011 | Harvey et al. | | D9/432 |
| D634,620 S * | 3/2011 | Edwards | | D9/432 |
| D636,667 S * | 4/2011 | Barclay et al. | | D9/432 |
| D639,179 S * | 6/2011 | Powers et al. | | D9/649 |

* cited by examiner

Primary Examiner — Karen S Acker

(74) *Attorney, Agent, or Firm* — Amanda T. Barry; Cynthia L. Clay

(57) **CLAIM**

The ornamental design for packaging container with surface ornamentation, as shown and described.

DESCRIPTION

FIG. 1 is a perspective view of a first embodiment of packaging container with surface ornamentation embodying our new design;

FIG. 2 is a front view thereof;

FIG. 3 is a rear view thereof;

FIG. 4 is a left side view thereof;

FIG. 5 is a right side view thereof;

FIG. 6 is a top view thereof;

FIG. 7 is a bottom view thereof;

FIG. 8 is a top view of the packaging container with surface ornamentation in an unfolded state;

FIG. 9 is a perspective view of a second embodiment of packaging container with surface ornamentation embodying our new design;

FIG. 10 is a front view thereof;

FIG. 11 is a rear view thereof;

FIG. 12 is a left side view thereof;

FIG. 13 is a right side view thereof;

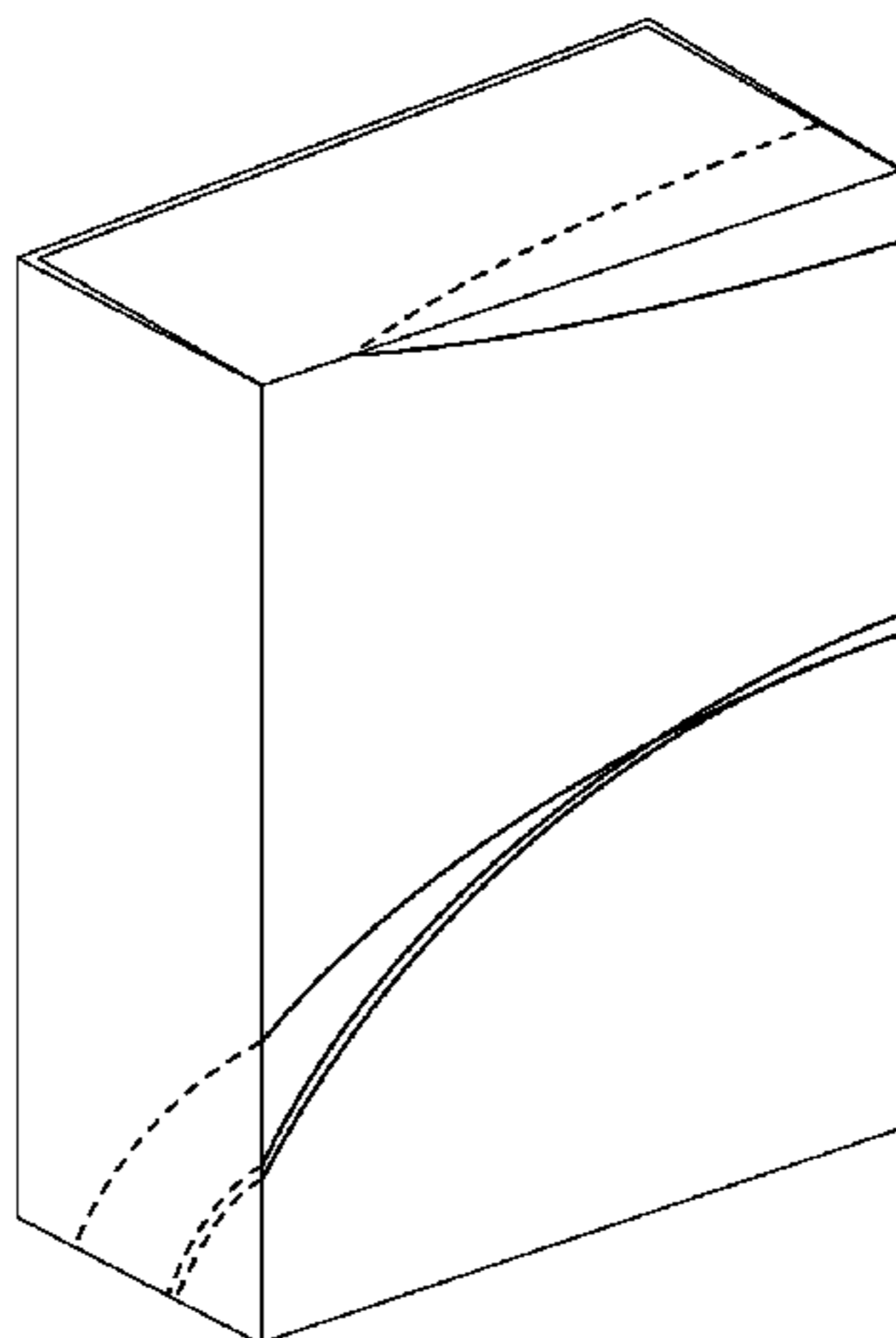
FIG. 14 is a top view thereof;

FIG. 15 is a bottom view thereof; and,

FIG. 16 is a top view of the packaging container with surface ornamentation in an unfolded state.

The broken lines in the drawing represent environmental subject matter that forms no part of the claimed design.

1 Claim, 6 Drawing Sheets



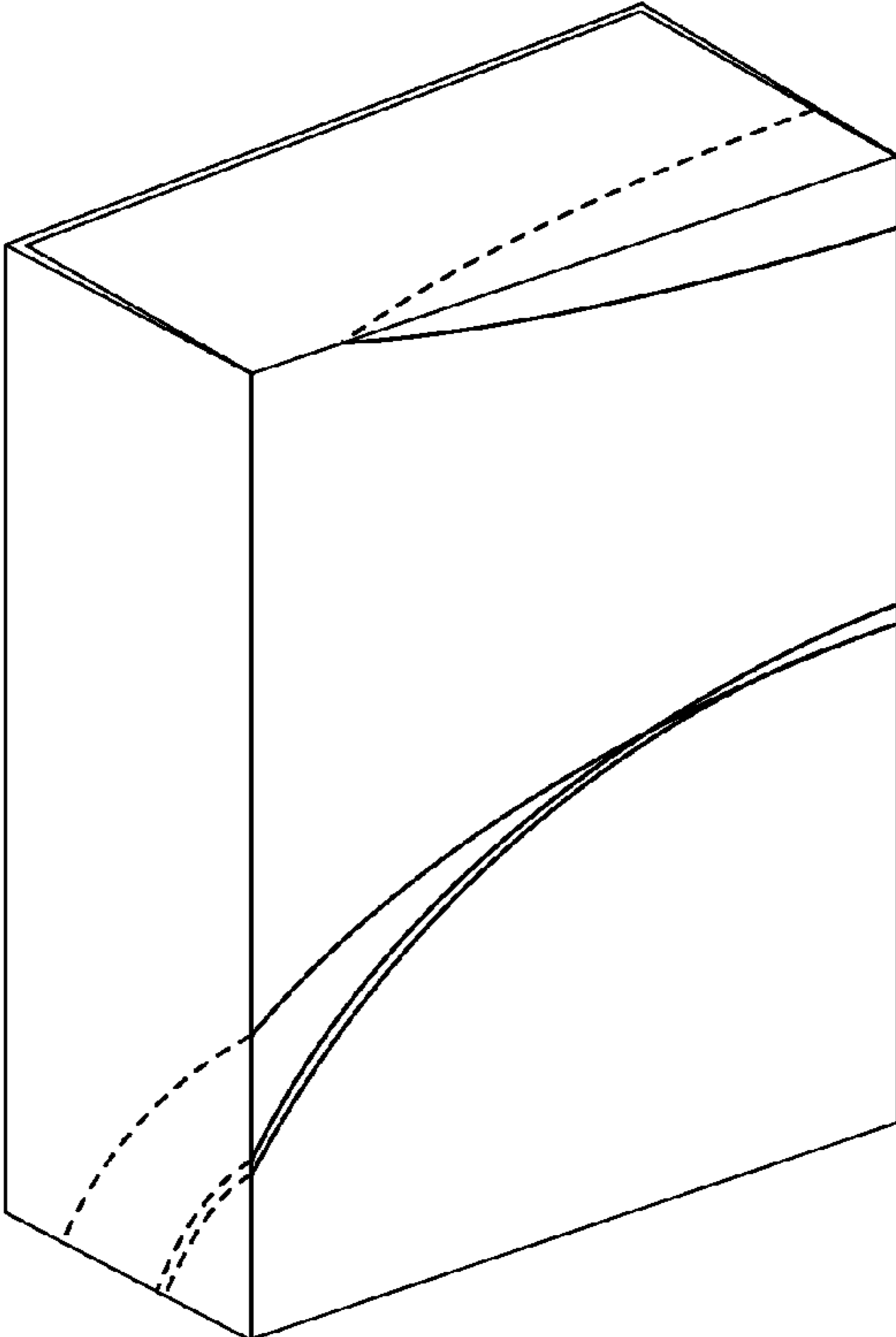


Fig. 1

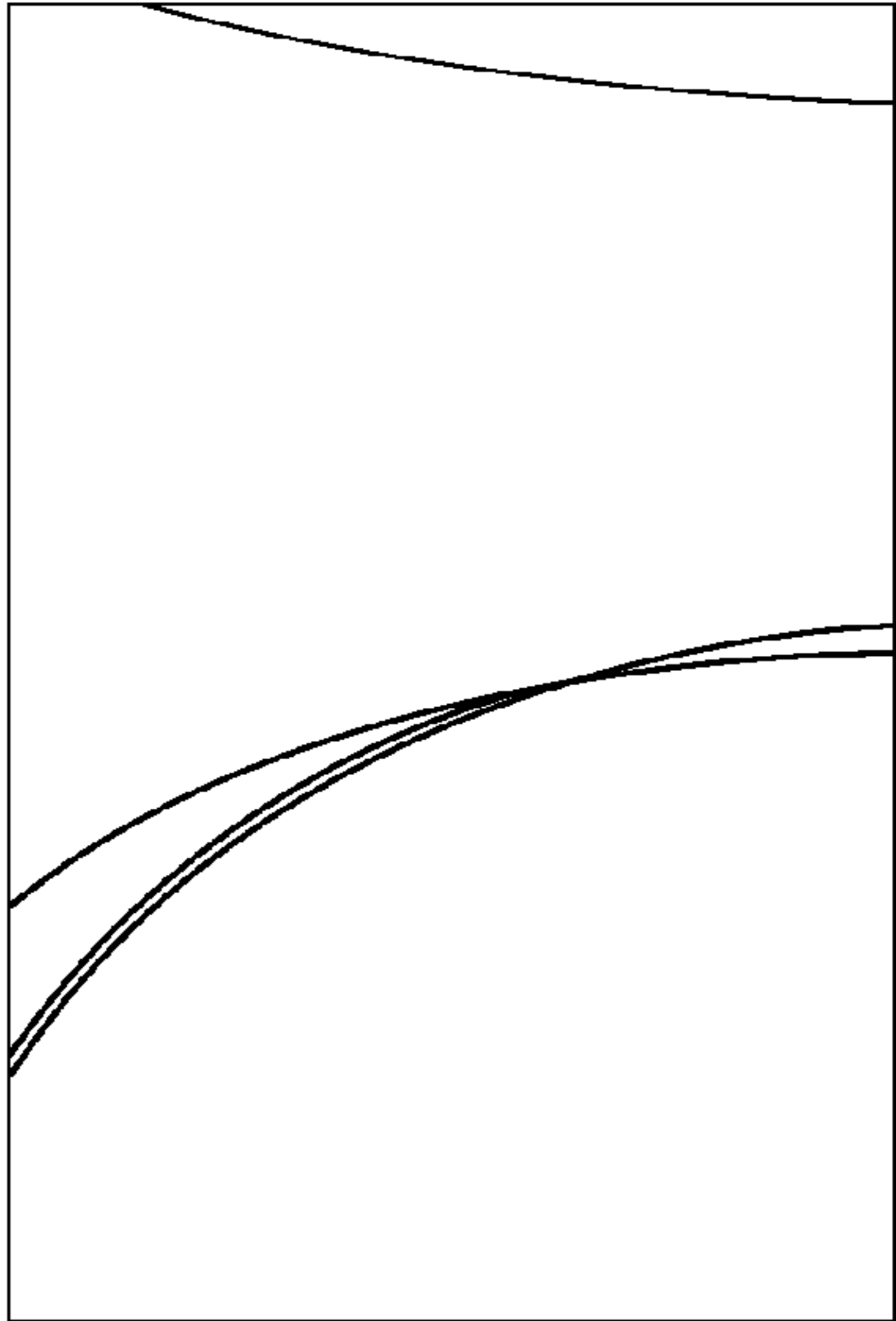


Fig. 2

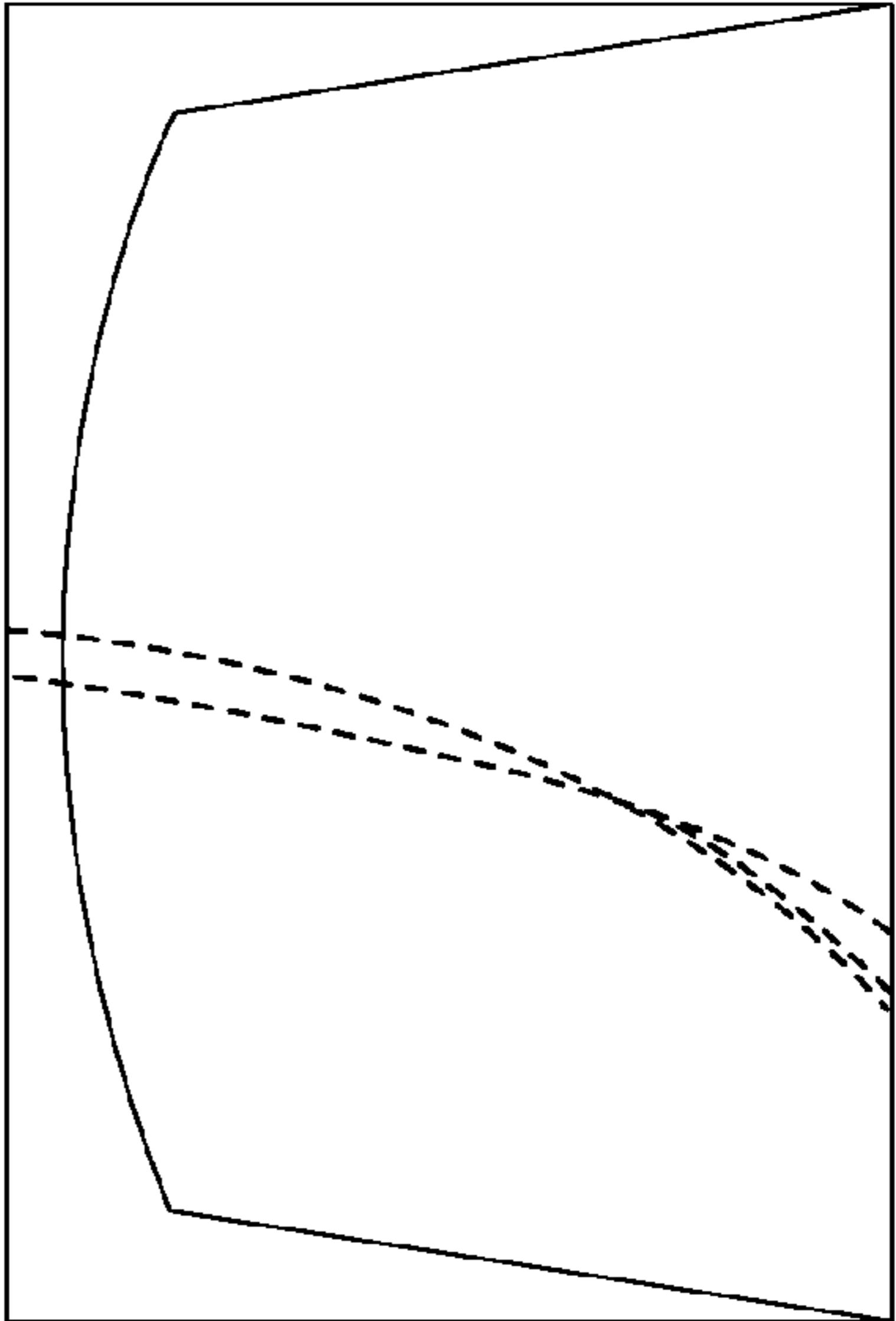


Fig. 3

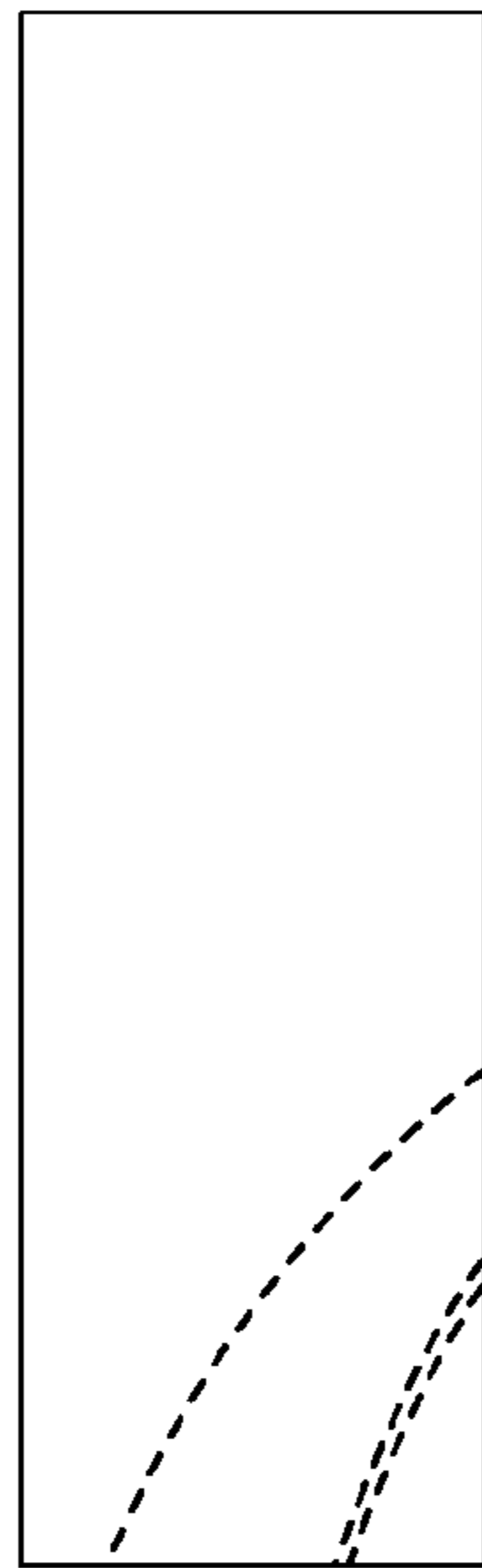


Fig. 4

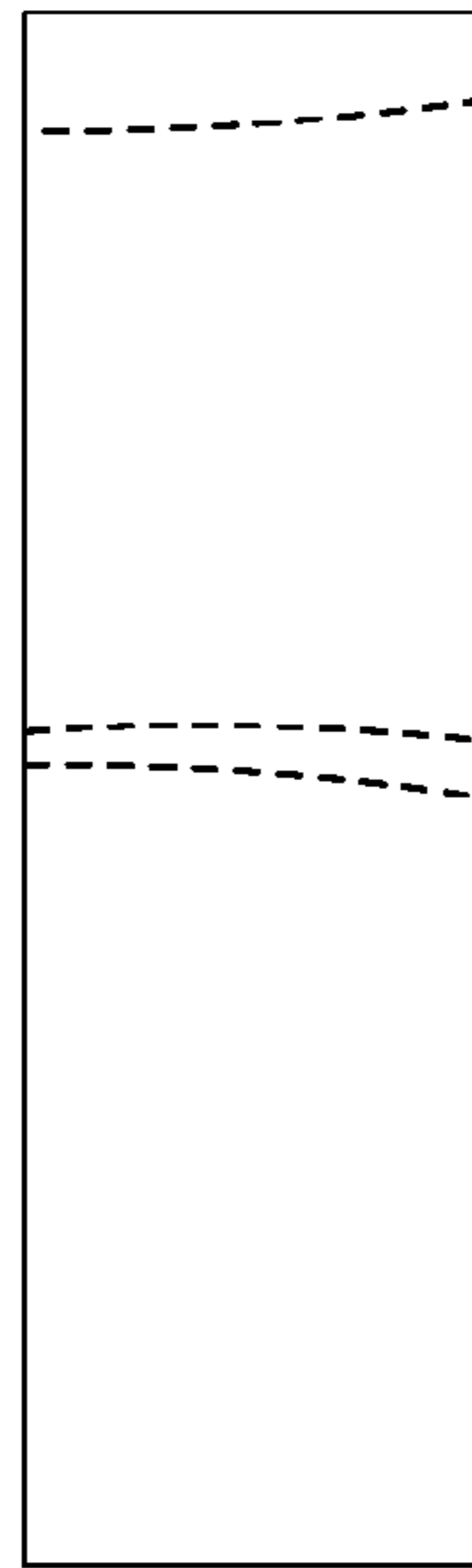


Fig. 5

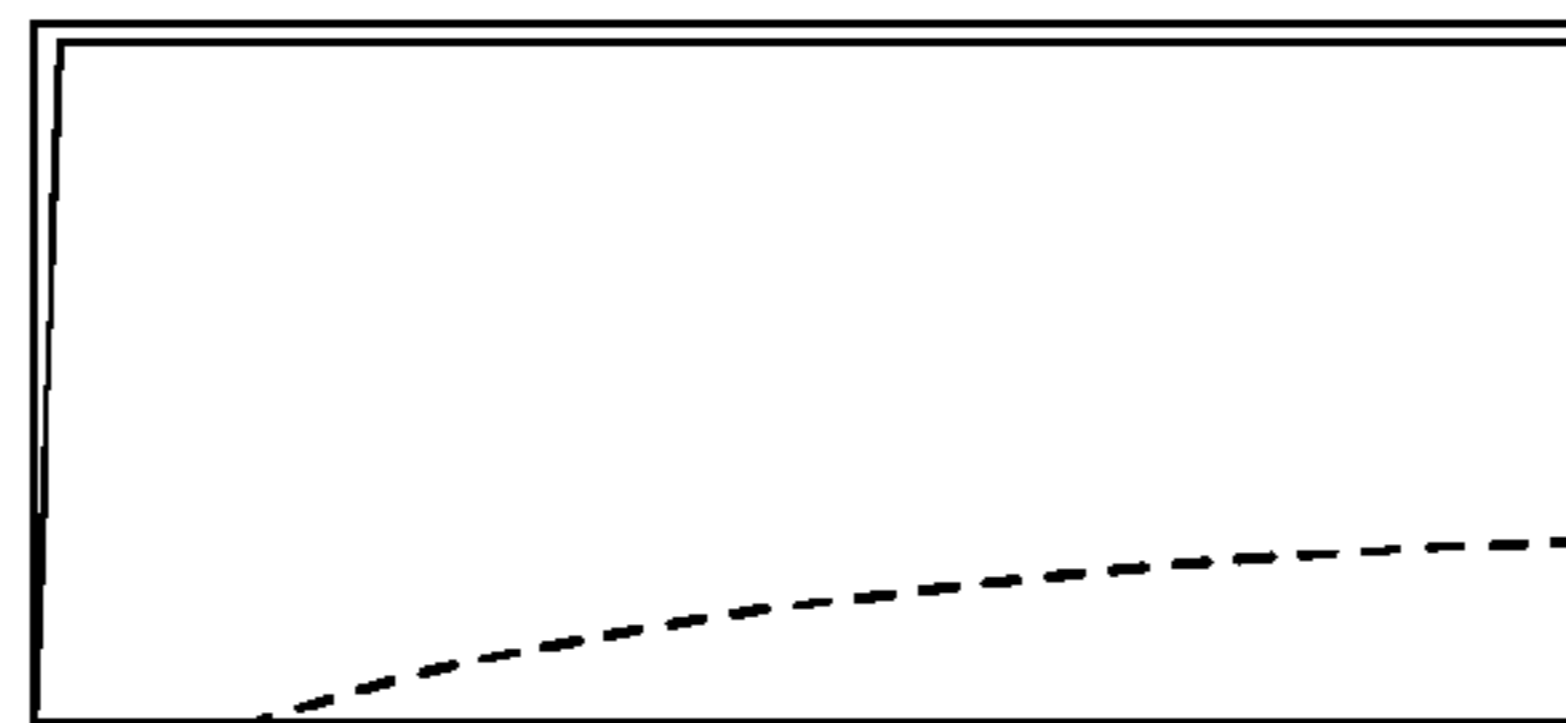


Fig. 6

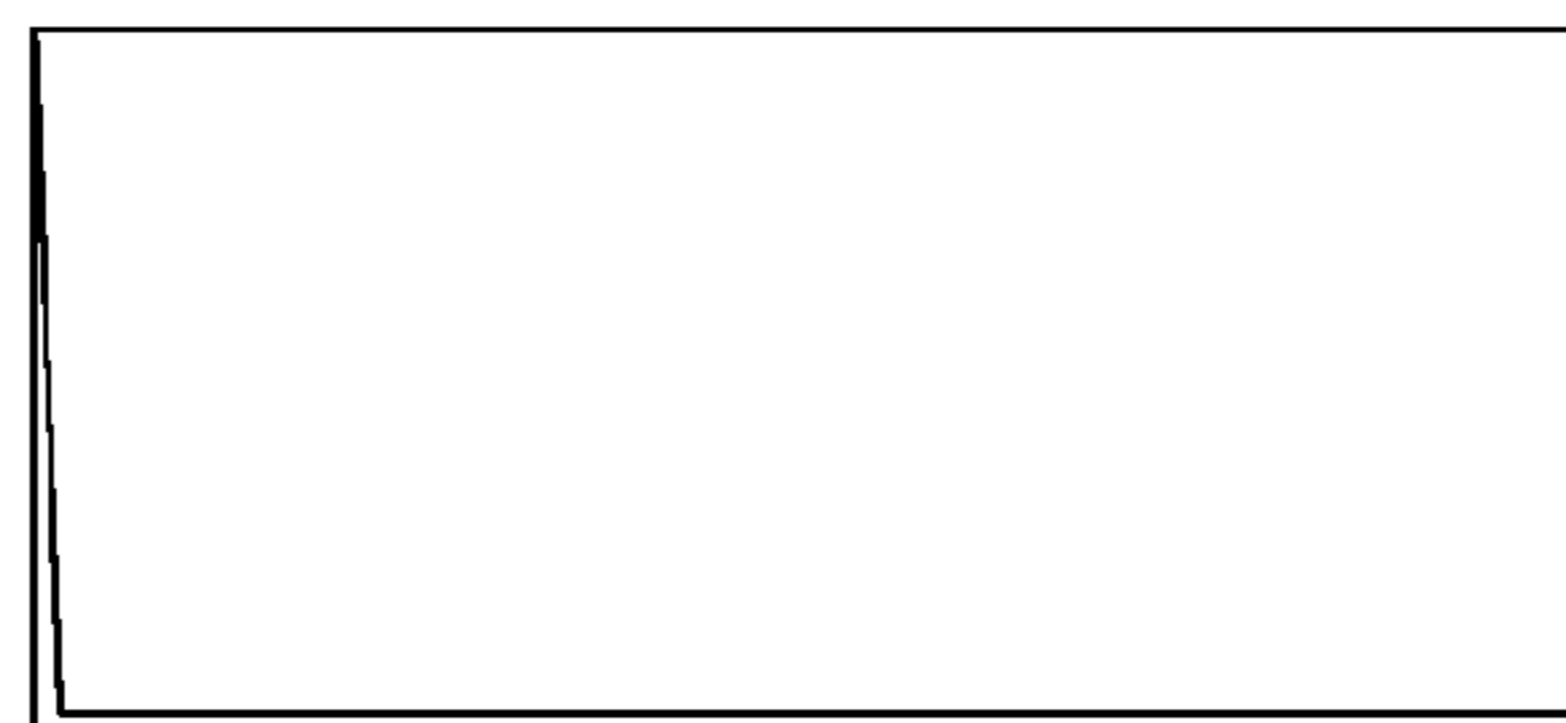


Fig. 7

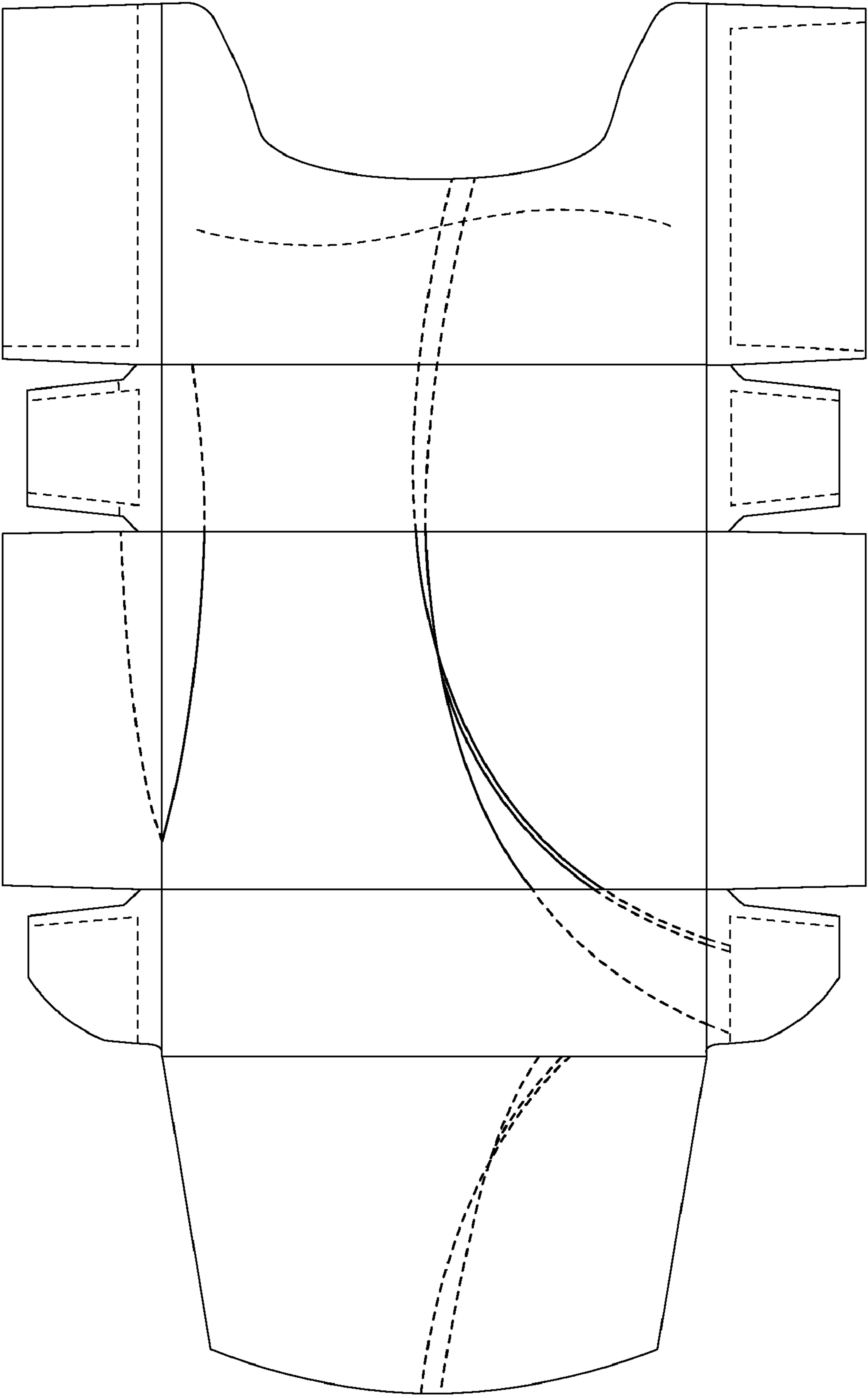


Fig. 8

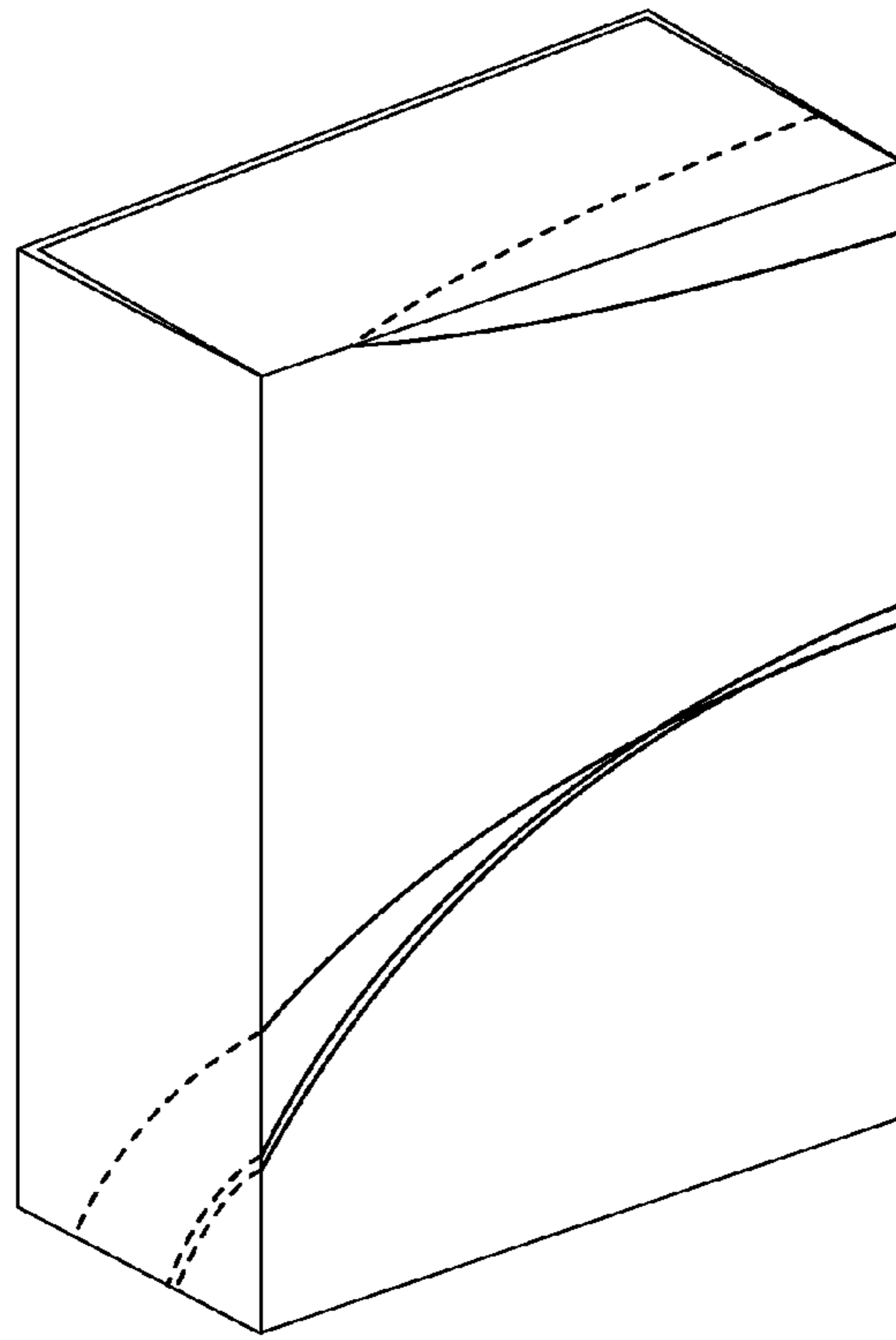


Fig. 9

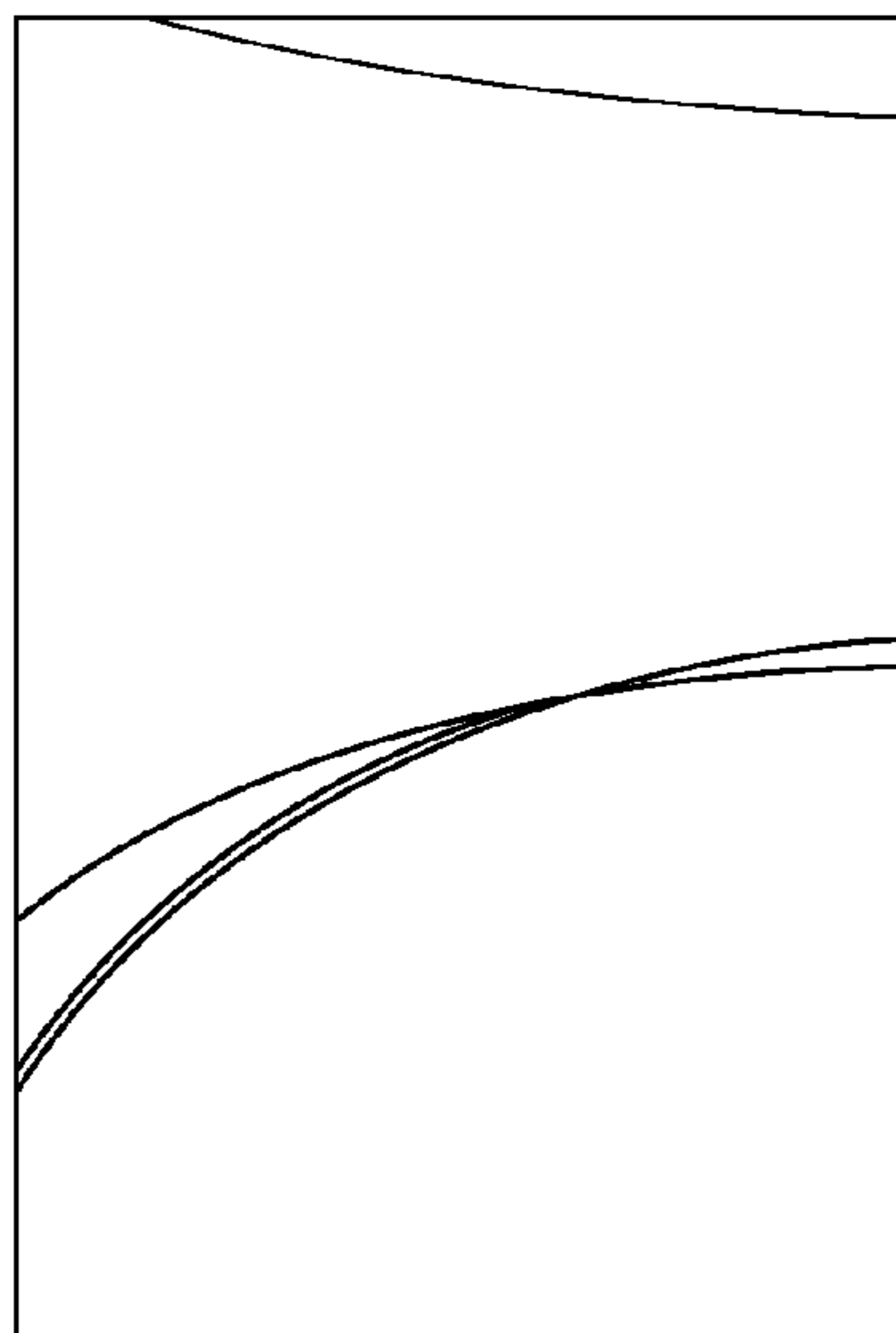


Fig. 10

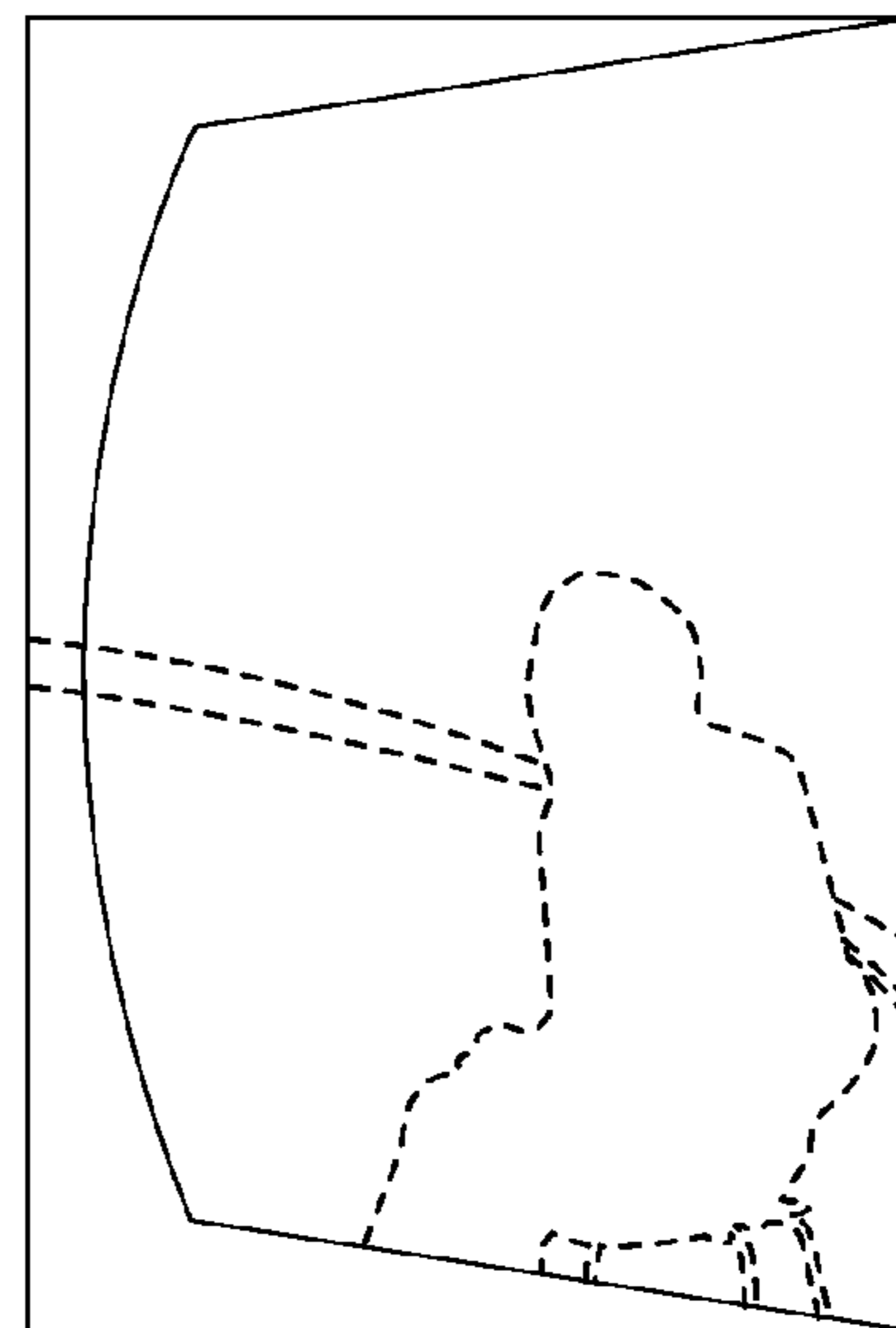


Fig. 11

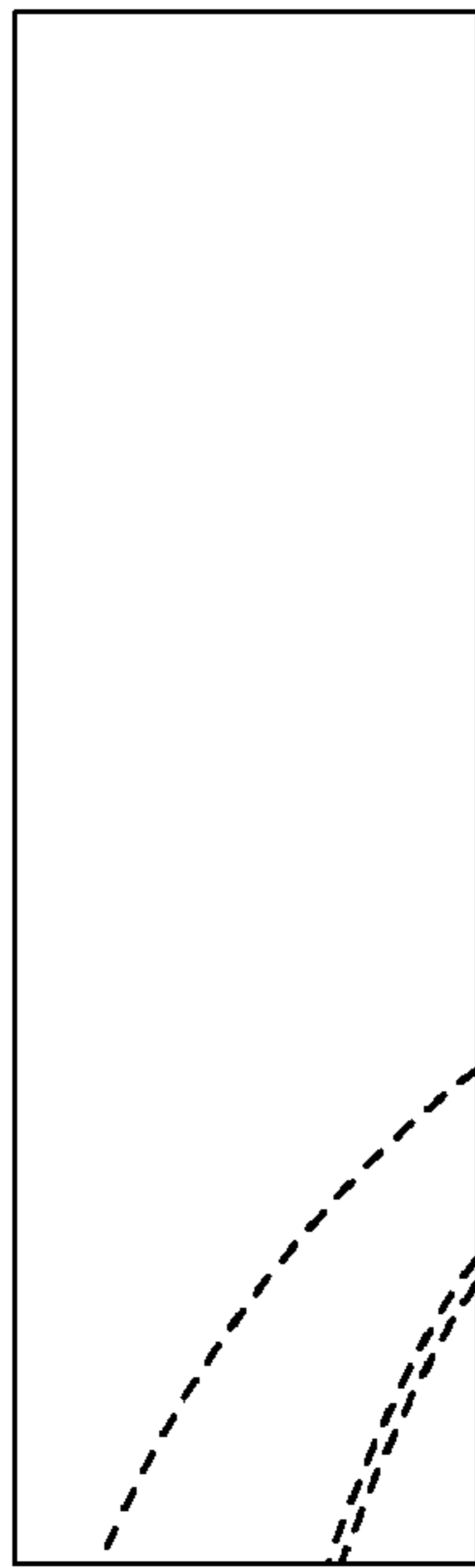


Fig. 12

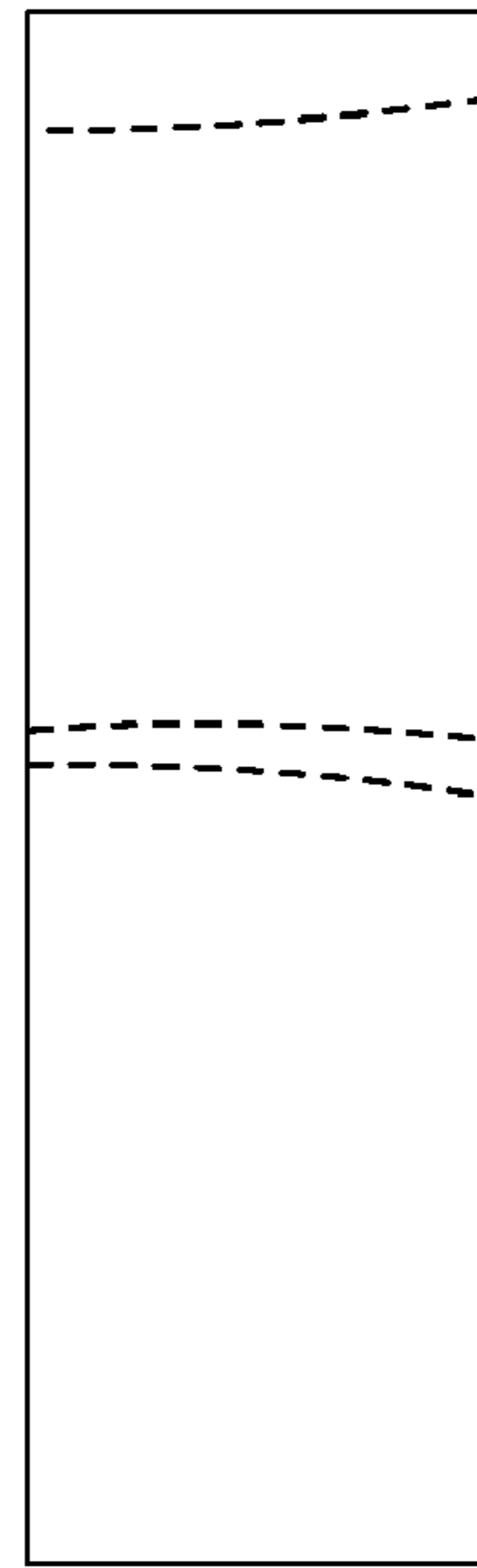


Fig. 13

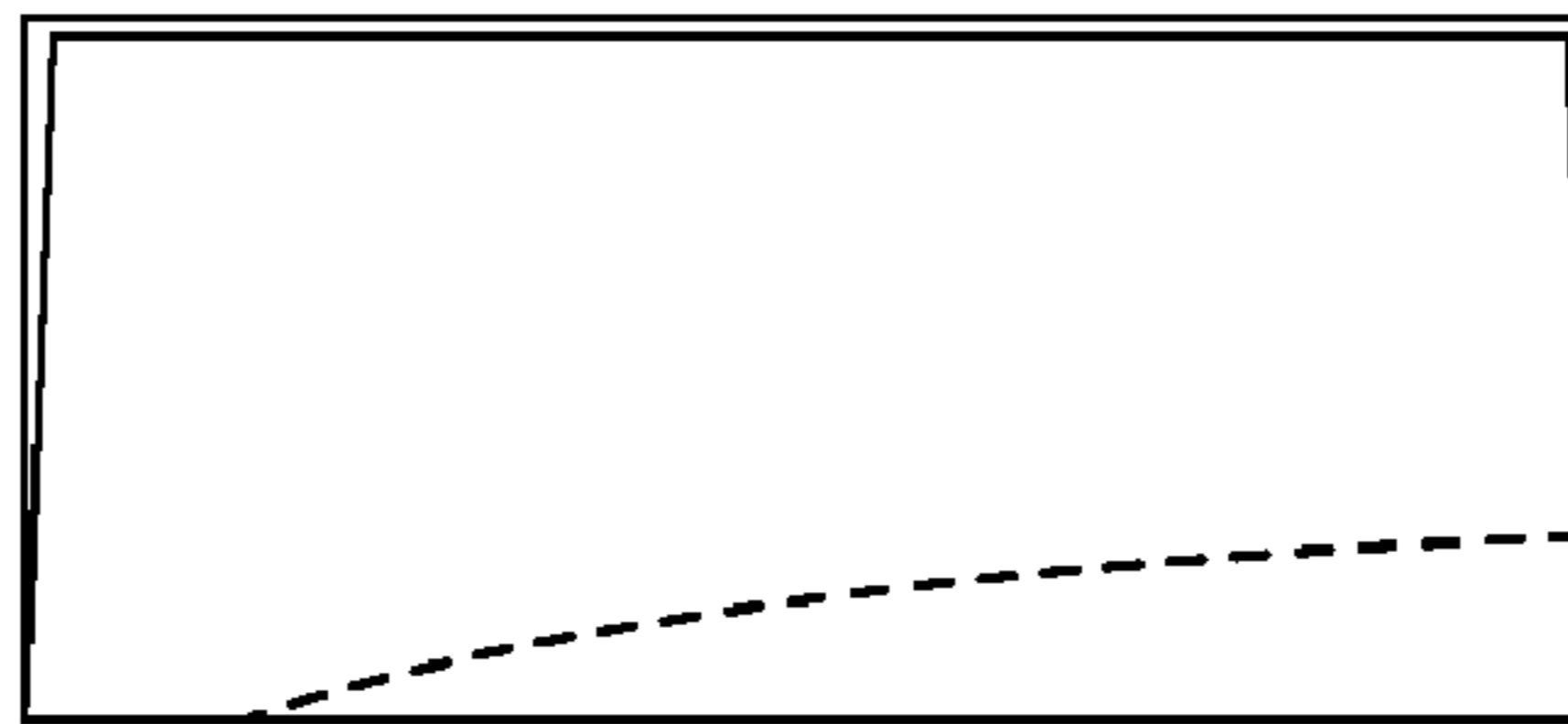


Fig. 14

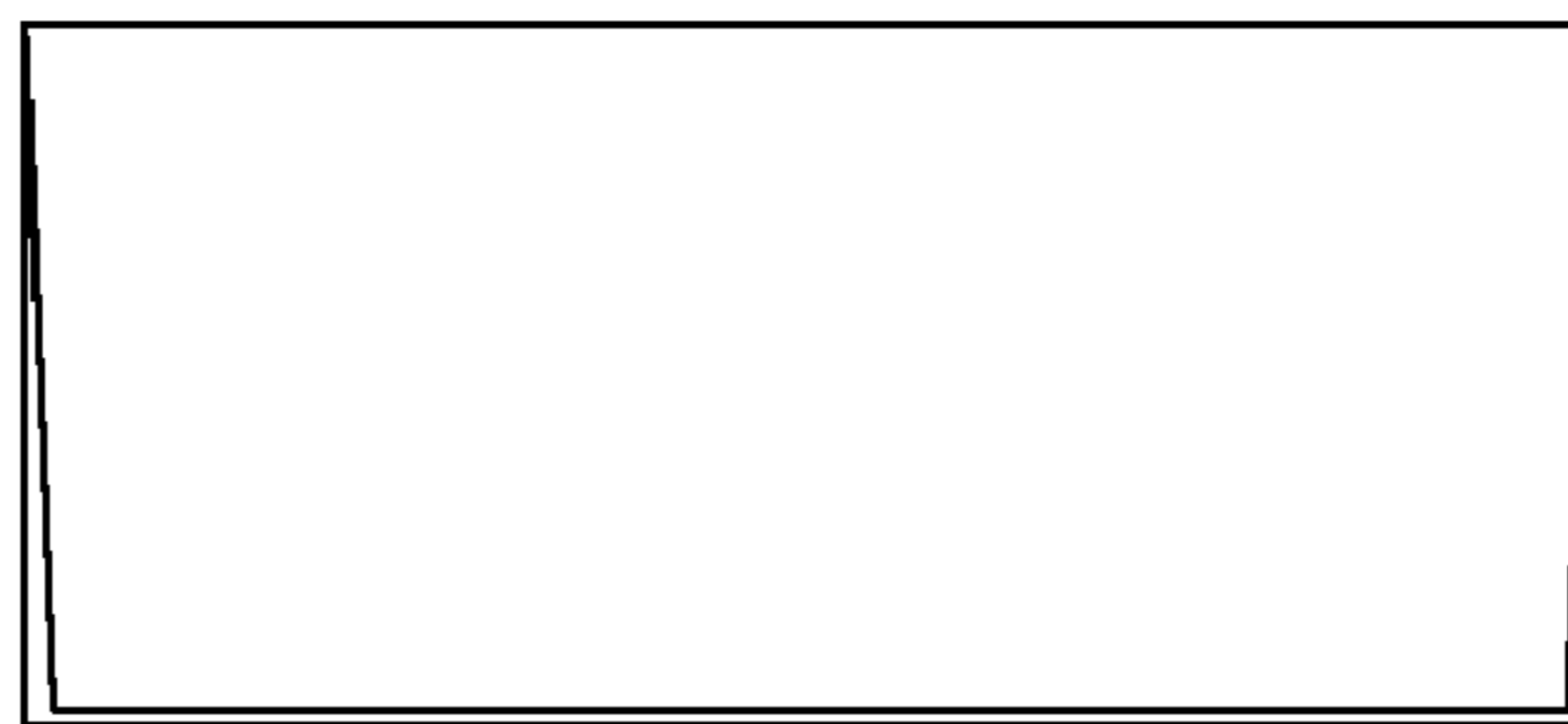


Fig. 15

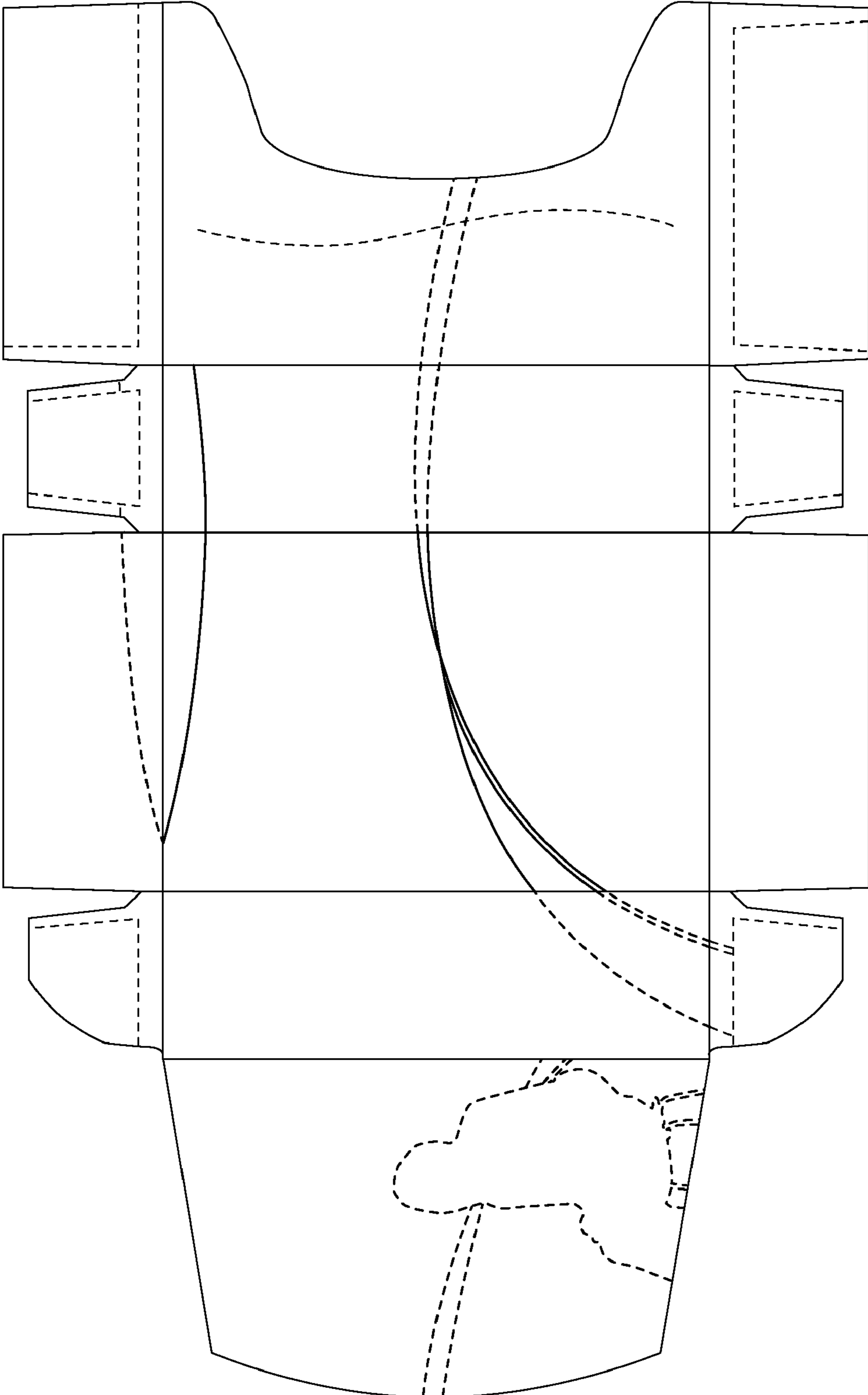


Fig. 16