



US00D660144S

(12) **United States Design Patent**
Shaver et al.

(10) **Patent No.:** **US D660,144 S**

(45) **Date of Patent:** **** May 22, 2012**

(54) **PRODUCE PACKAGING**

(75) Inventors: **David Shaver**, Kingsbury, TX (US);
Bryant P. Ambelang, San Antonio, TX
(US)

(73) Assignee: **NatureSweet, Ltd.**, San Antonio, TX
(US)

(**) Term: **14 Years**

(21) Appl. No.: **29/361,540**

(22) Filed: **May 12, 2010**

(51) **LOC (9) Cl.** **09-03**

(52) **U.S. Cl.** **D9/429**

(58) **Field of Classification Search** D9/414,
D9/416, 418, 419, 424, 425, 428, 429, 430,
D9/444, 451; D7/602, 608, 613, 629; 206/457,
206/775, 776, 782, 815; 220/4.25, 4.27,
220/796

See application file for complete search history.

(56) **References Cited**

U.S. PATENT DOCUMENTS

4,248,901 A * 2/1981 Austin 426/119
D398,845 S * 9/1998 Wyslowsky D9/425
5,862,977 A * 1/1999 Hirano 229/5.82
D547,178 S * 7/2007 Shaver et al. D9/428

D562,678 S * 2/2008 Shaver et al. D9/428
D589,790 S * 4/2009 Shaver et al. D9/428
D601,015 S * 9/2009 Shaver et al. D9/428
D612,232 S * 3/2010 Shaver et al. D9/428
D621,699 S * 8/2010 Shaver et al. D9/428
D628,477 S * 12/2010 Shaver et al. D9/428

* cited by examiner

Primary Examiner — Thomas Johannes

(74) *Attorney, Agent, or Firm* — Fulbright & Jaworski L.L.P.

(57) **CLAIM**

The ornamental design for produce packaging, as shown and described.

DESCRIPTION

FIG. 1 is a perspective view of produce packaging showing our new design;

FIG. 2 is an inverted perspective view thereof;

FIG. 3 is a front view thereof;

FIG. 4 is a back view thereof;

FIG. 5 is a right side view thereof;

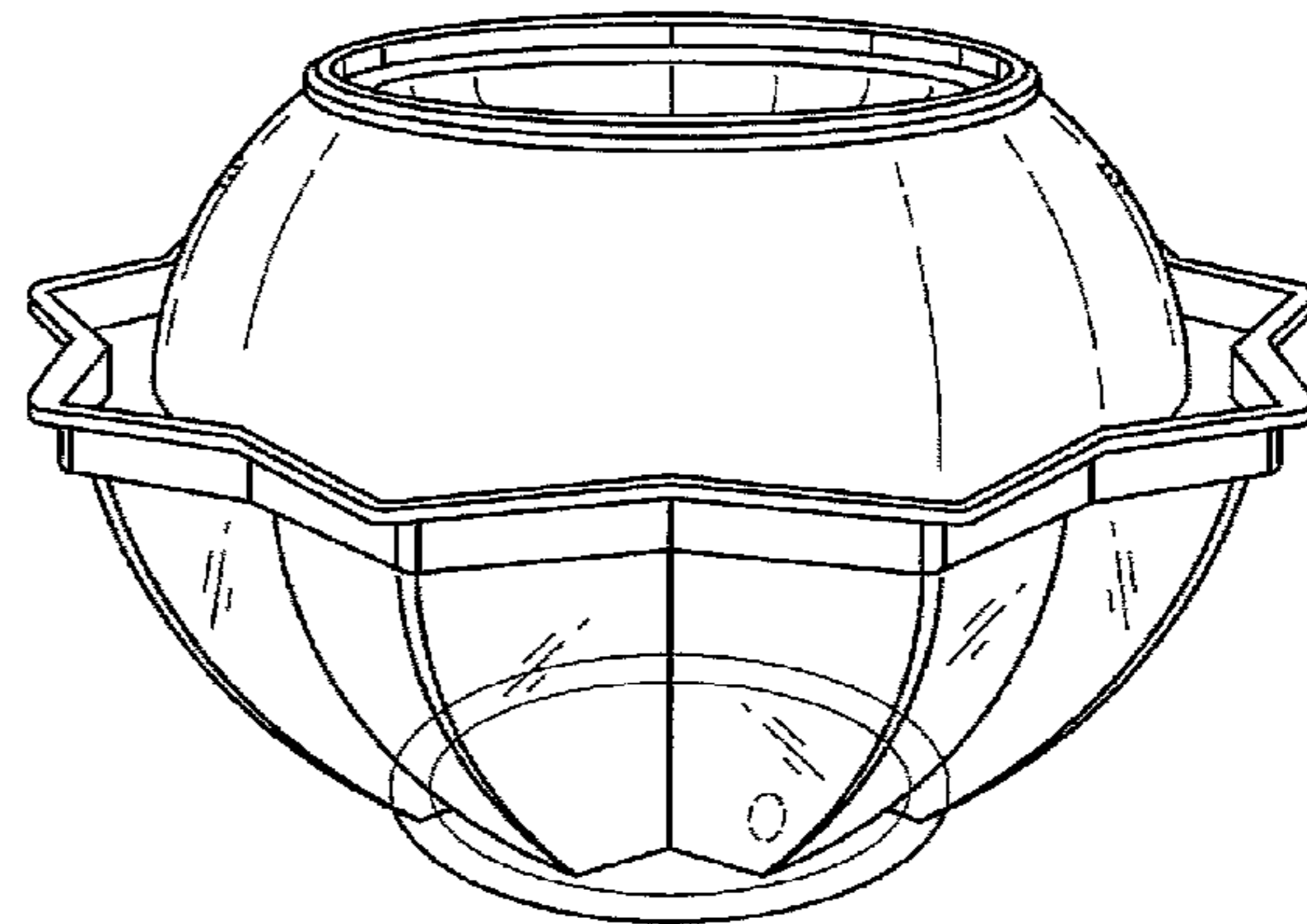
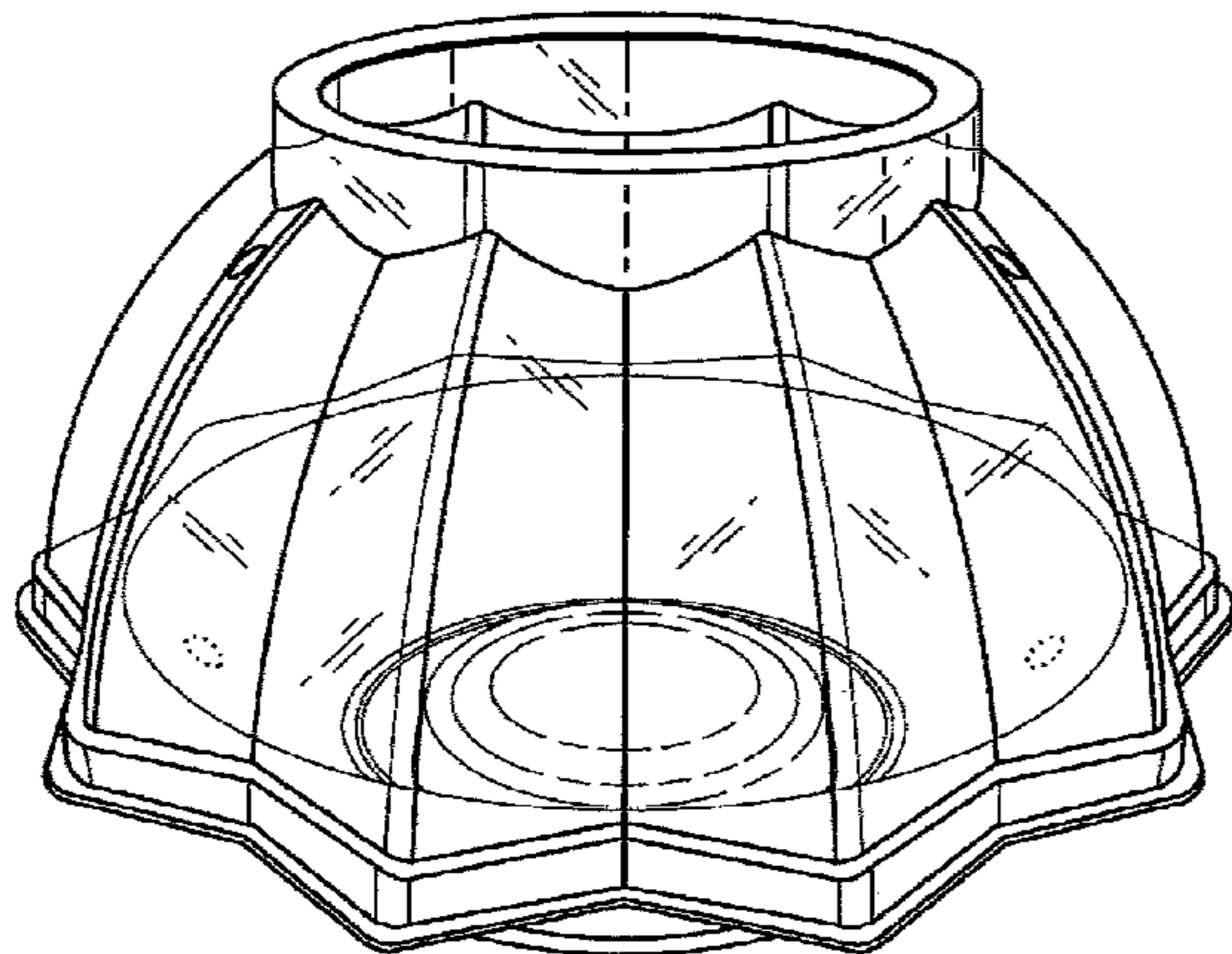
FIG. 6 is a left side view thereof;

FIG. 7 is a plan view thereof; and,

FIG. 8 is an opposite side plan view thereof.

The broken line portion of the figure drawing is included to show unclaimed subject matter only and forms no part of the claimed design.

1 Claim, 4 Drawing Sheets



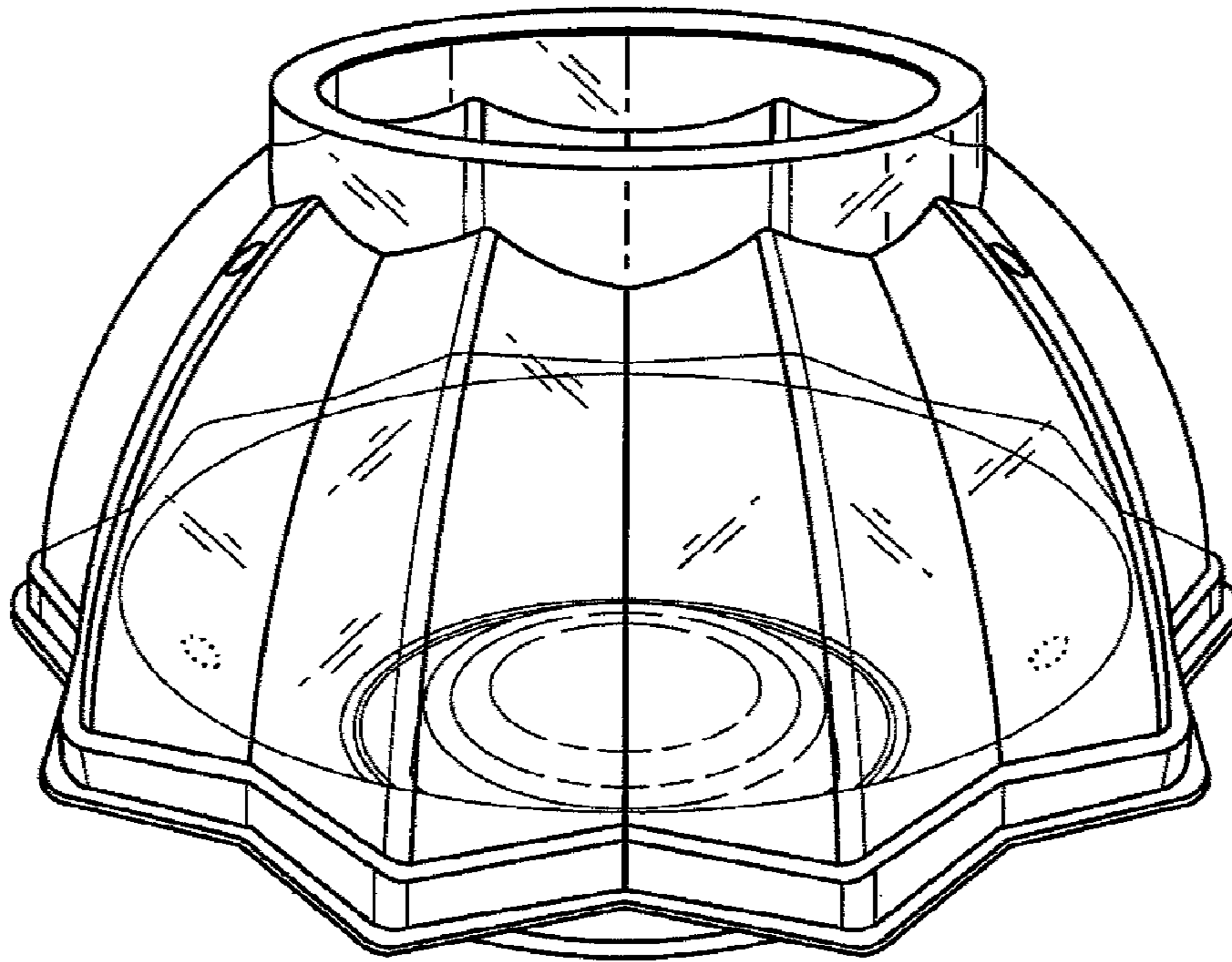


FIG. 1

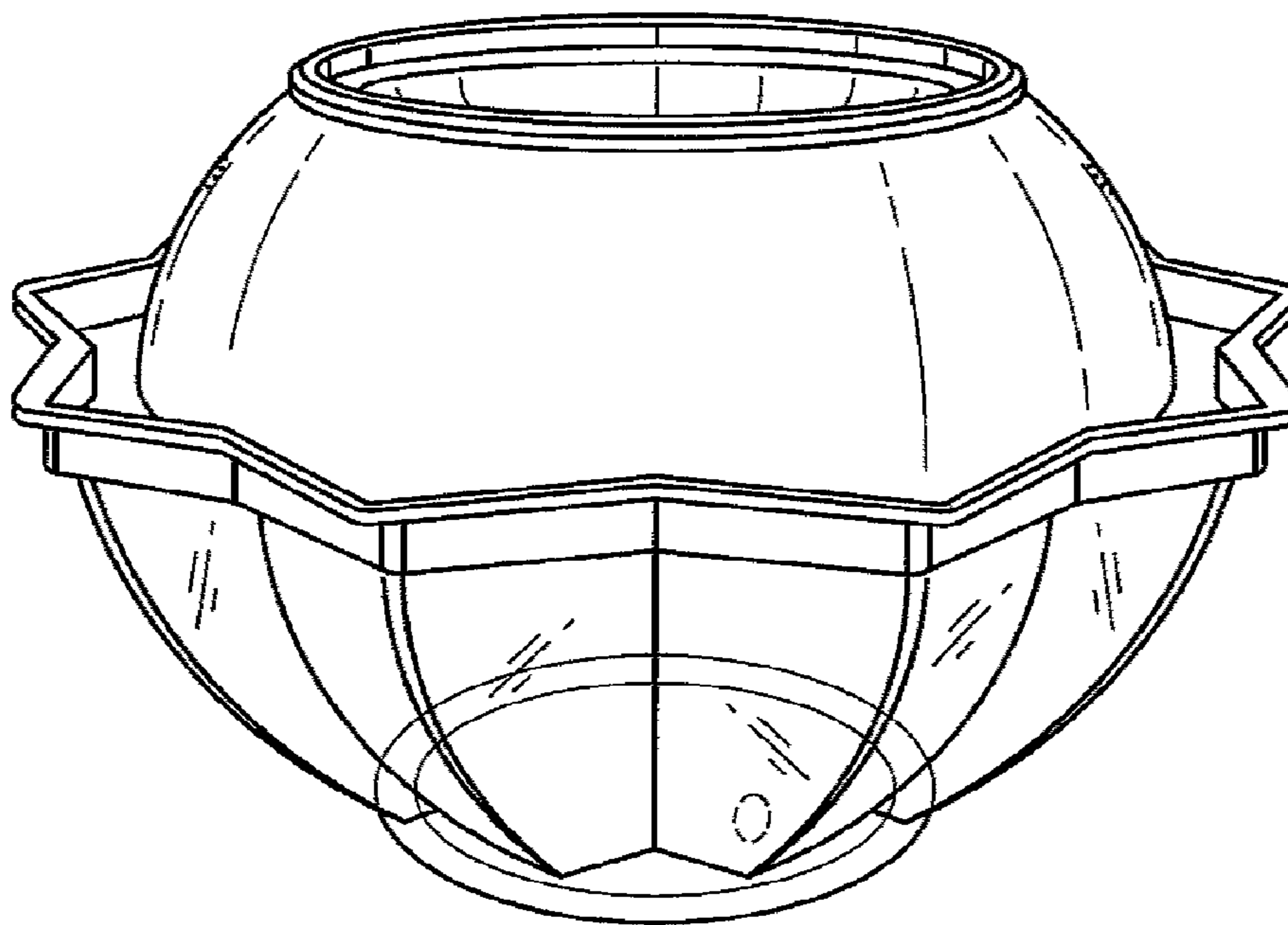


FIG. 2

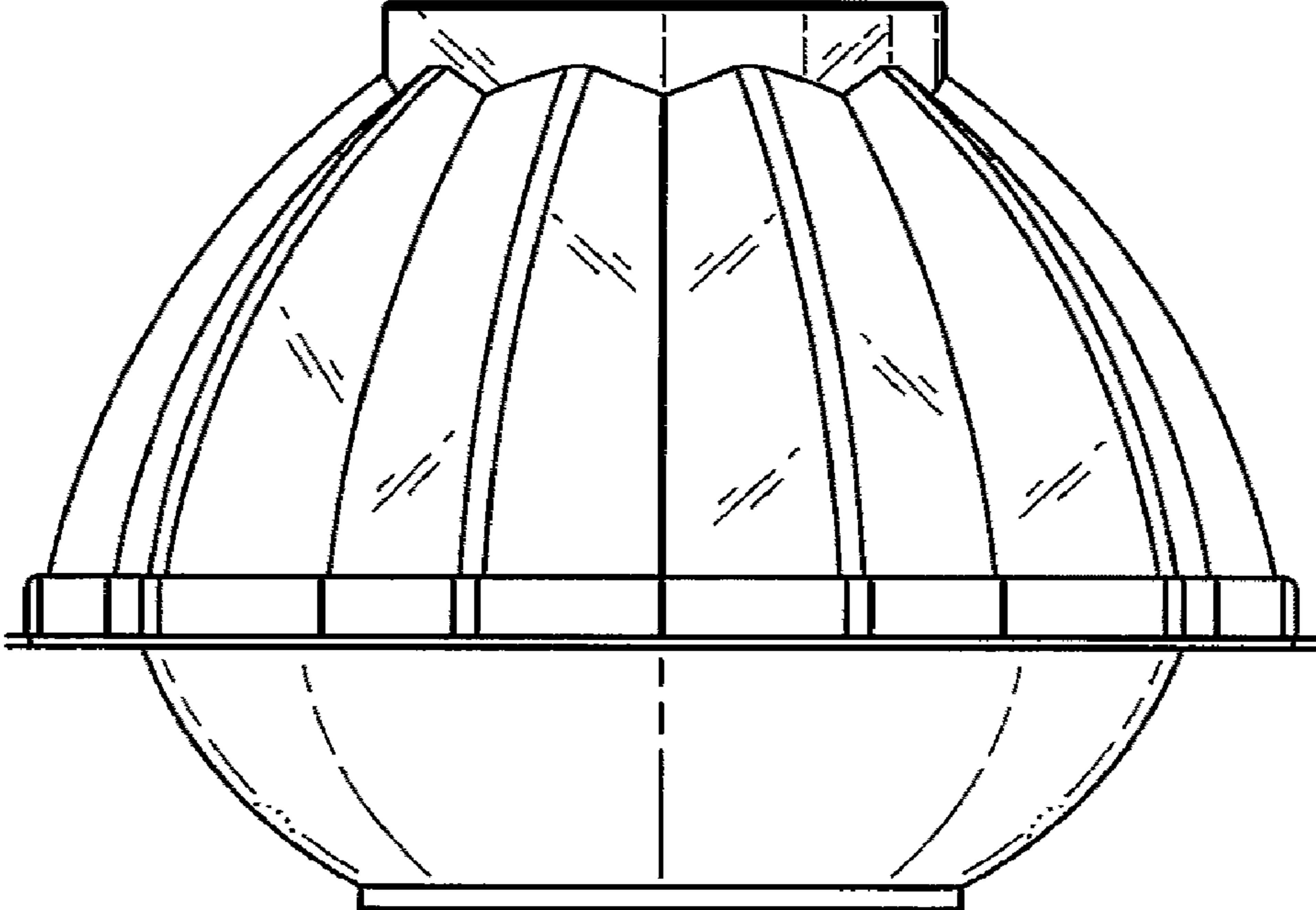


FIG. 3

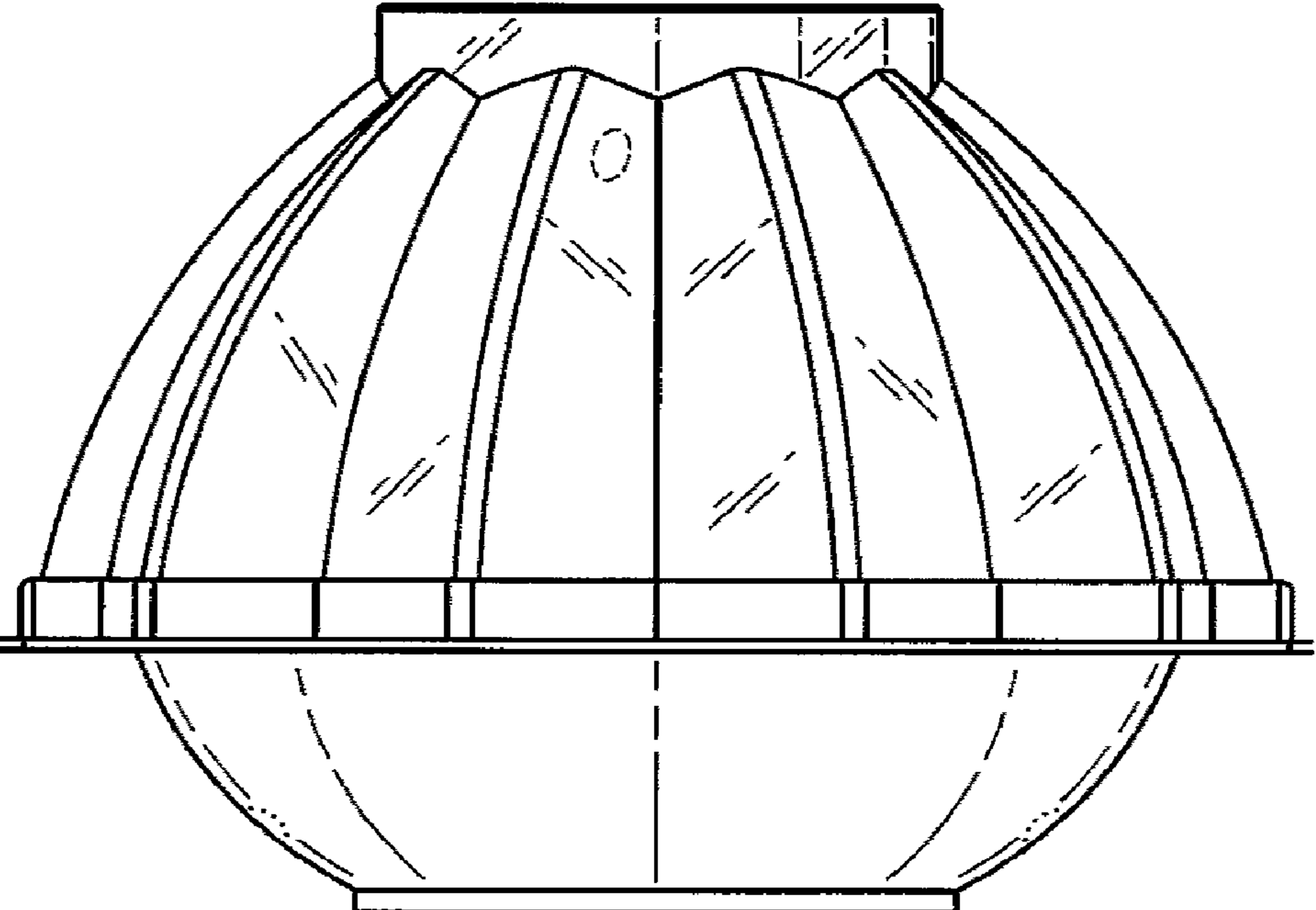


FIG. 4

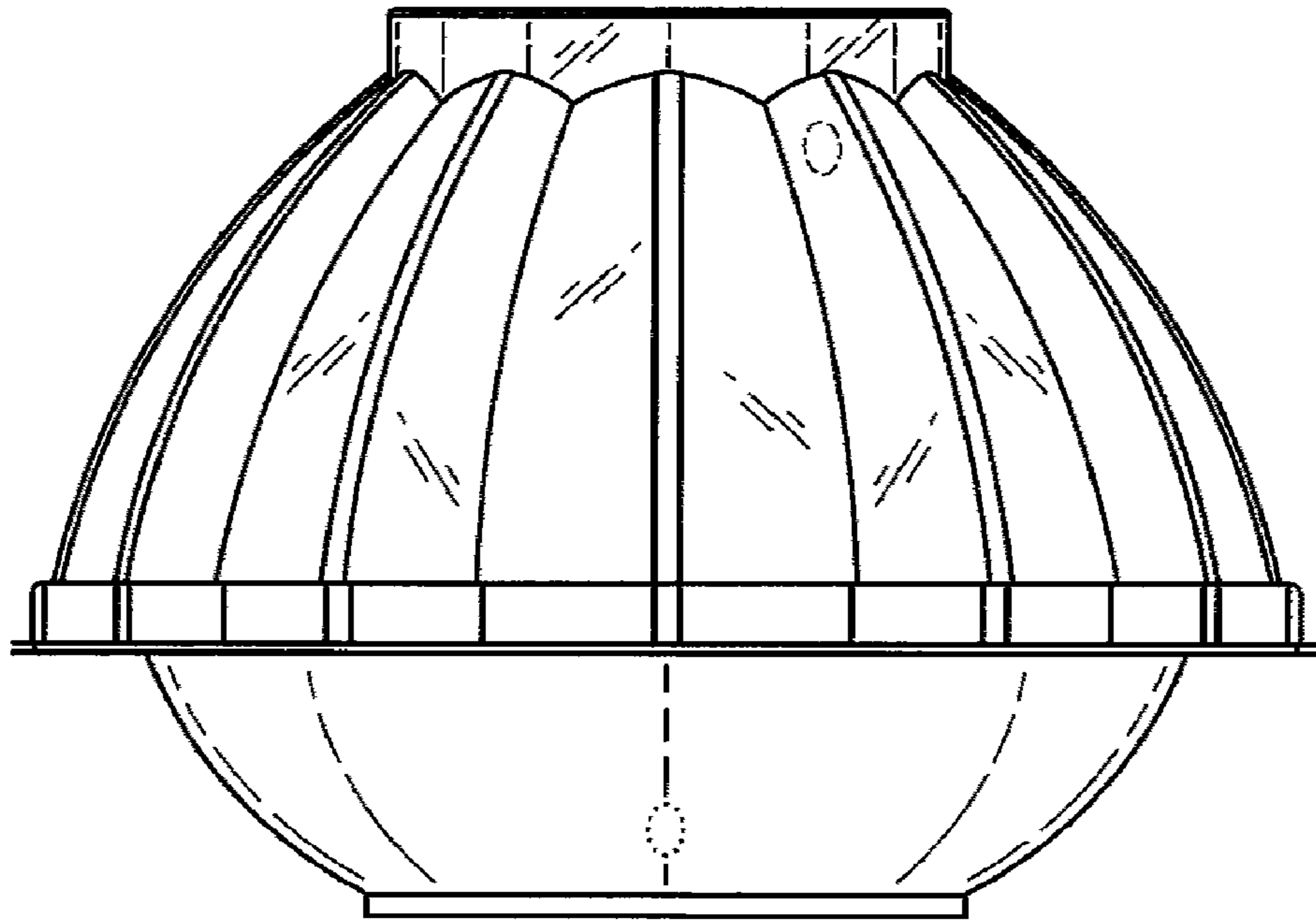


FIG. 5

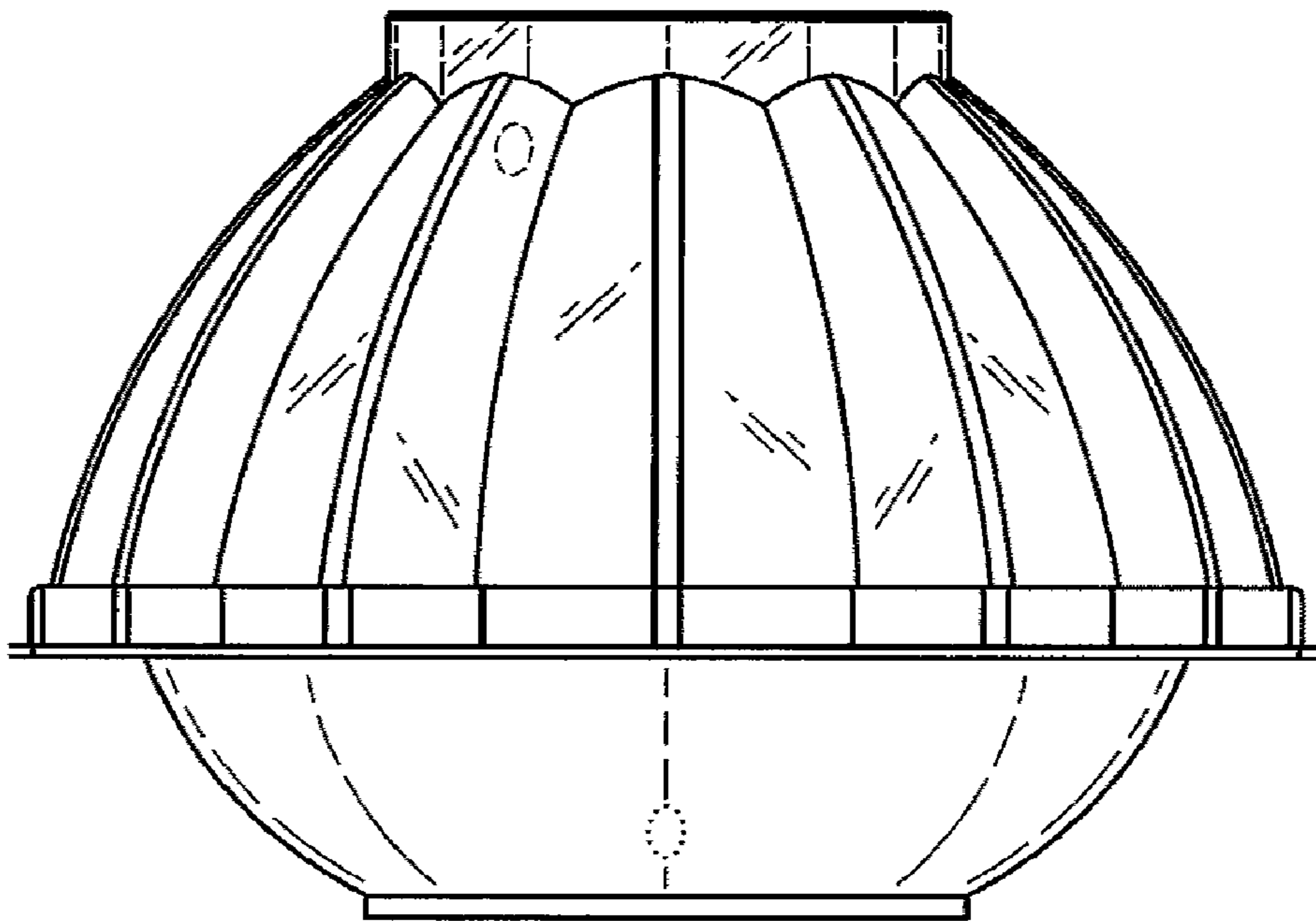


FIG. 6

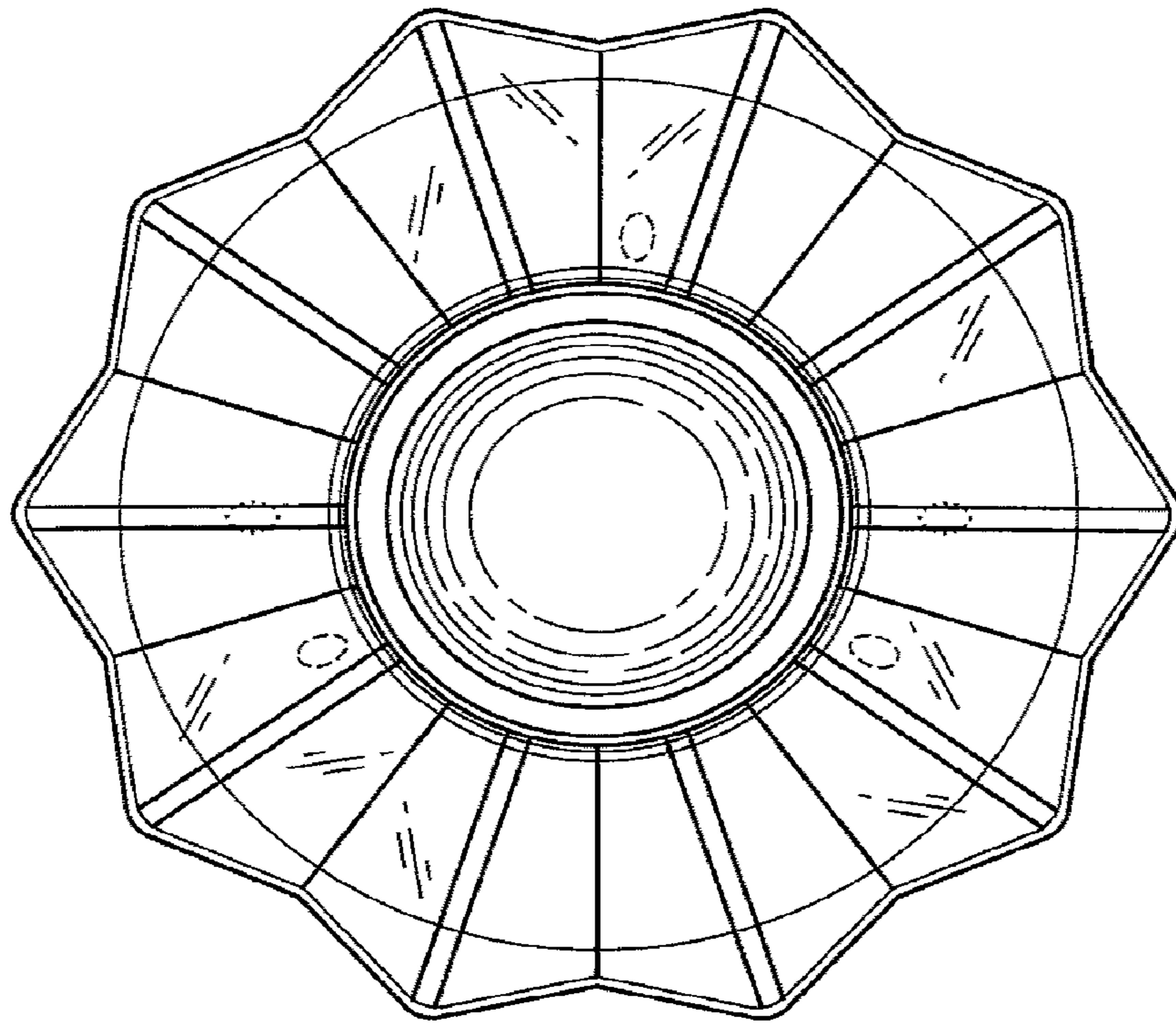


FIG. 7

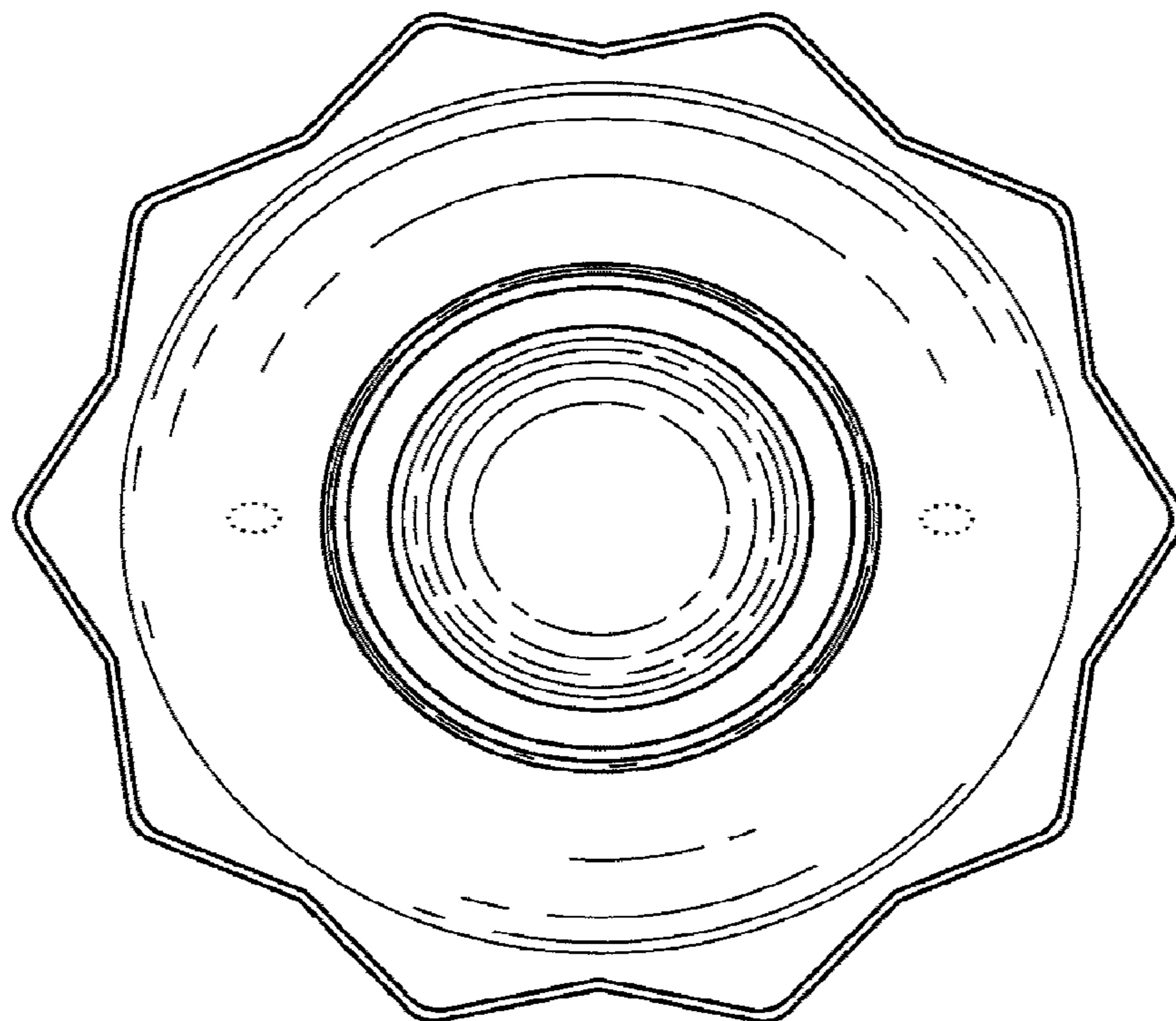


FIG. 8