



US00D660142S

(12) **United States Design Patent**
Kirk et al.

(10) **Patent No.:** **US D660,142 S**

(45) **Date of Patent:** **** *May 22, 2012**

(54) **PACKAGING FOR DOUGH PRODUCT**

(75) Inventors: **David A. Kirk**, Coon Rapids, MN (US);
Craig A. Dowd, Eagan, MN (US);
Thomas M. Hockenberry, Minneapolis,
MN (US)

(73) Assignee: **General Mills Marketing, Inc.**,
Minneapolis, MN (US)

(*) Notice: This patent is subject to a terminal dis-
claimer.

(**) Term: **14 Years**

(21) Appl. No.: **29/332,927**

(22) Filed: **Feb. 27, 2009**

Related U.S. Application Data

(63) Continuation of application No. 29/297,836, filed on
Nov. 20, 2007, now Pat. No. Des. 590,246, which is a
continuation of application No. 29/204,662, filed on
Apr. 30, 2004, now Pat. No. Des. 560,490.

(51) **LOC (9) Cl.** **09-03**

(52) **U.S. Cl.** **D9/416; D9/418; D9/425; D9/737**

(58) **Field of Classification Search** D9/416,
D9/418, 737, 730, 732, 733, 734, 756, 757,
D9/759, 761, 424, 425, 430, 432, 414; 206/223,
206/438, 484, 499, 525, 526, 528, 532, 820,
206/830; 220/507, 62.13, 657, 659, DIG. 12;
426/128; 229/406, 905, 906, 245, 927, 125.015,
229/123.1, 123.2; 428/515; 383/109
See application file for complete search history.

(56) **References Cited**

U.S. PATENT DOCUMENTS

1,816,542 A 7/1931 Mellin
2,951,765 A 9/1960 Robson
3,144,343 A 8/1964 Fritsche

D199,200 S 9/1964 Fritsche et al.
3,202,272 A 8/1965 Hertzog
3,278,109 A 10/1966 Salway
D211,448 S 6/1968 Seiferth et al.
D211,449 S 6/1968 Seiferth et al.
3,476,282 A 11/1969 Foster et al.
T869,023 I4 12/1969 Henry
3,530,917 A 9/1970 Donovan
3,545,934 A 12/1970 Johnston et al.
3,577,671 A 5/1971 Woollett
3,586,162 A 6/1971 Townsend
3,605,374 A 9/1971 Mueller et al.
D223,189 S 3/1972 Dittman
3,765,595 A 10/1973 Bernhardt
3,809,221 A 5/1974 Compere

(Continued)

OTHER PUBLICATIONS

General Mills Package—Ready to Bake!® Sugar Cookies.

(Continued)

Primary Examiner — Mark Goodwin

(74) *Attorney, Agent, or Firm* — Aleya Champlin; Arlene
Hornilla

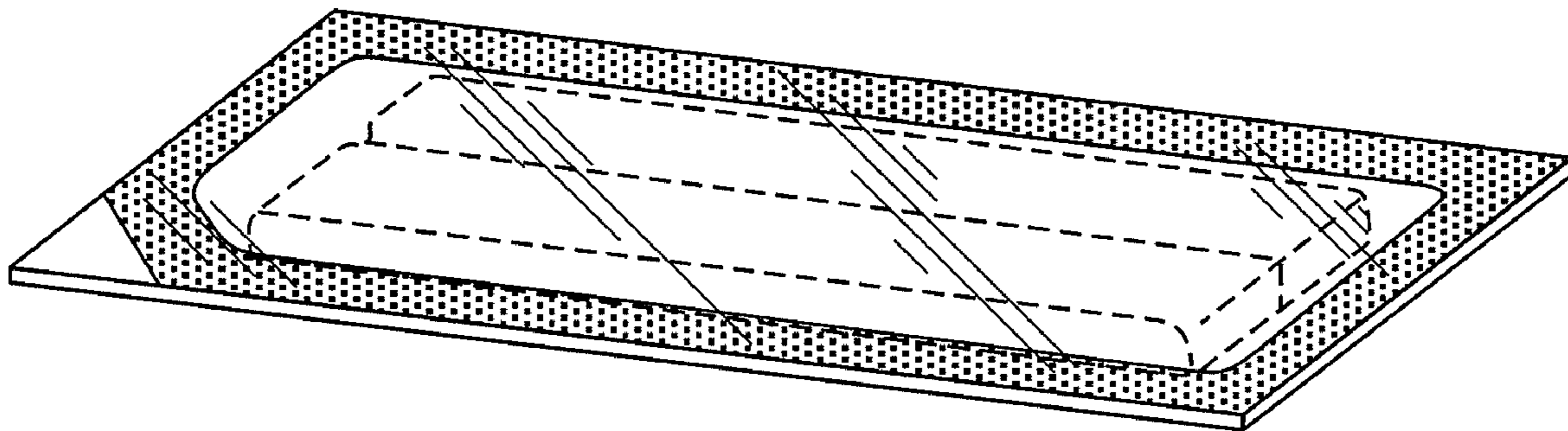
(57) **CLAIM**

We claim the ornamental design for packaging for dough
product, as shown and described.

DESCRIPTION

FIG. 1 is a perspective view of a packaging for dough product
showing our new design;
FIG. 2 is a top plan view thereof;
FIG. 3 is a top plan view of a modified form thereof;
FIG. 4 is an end view thereof;
FIG. 5 is an end view of a second embodiment of a packaging
for dough product showing our new design;
FIG. 6 is a side view thereof; and,
FIG. 7 is a top plan view thereof, the broken line showing a
second packaging being shown for illustrative purposes only.

1 Claim, 3 Drawing Sheets



US D660,142 S

Page 2

U.S. PATENT DOCUMENTS

D235,246 S	6/1975	Evans et al.	5,783,273 A	7/1998	Yamamoto et al.
3,942,640 A	3/1976	Hellstrom	D408,280 S	4/1999	Manley et al.
3,983,999 A	10/1976	Morton	D416,483 S	11/1999	Manley et al.
4,096,945 A	6/1978	Melton et al.	D417,146 S	11/1999	St. Pierre et al.
4,197,947 A	4/1980	Zaidi	D421,900 S	3/2000	Eneroth et al.
4,206,844 A	6/1980	Thukamoto et al.	6,059,112 A	5/2000	Dykstra et al.
D262,095 S	12/1981	Takahashi	D455,071 S	4/2002	Ruben
4,342,395 A	8/1982	Brown	D459,222 S	6/2002	Mello et al.
4,355,755 A	10/1982	Faller	D479,128 S	9/2003	Jowett
4,382,513 A	5/1983	Schirmer et al.	D485,942 S	1/2004	McLeish
D273,765 S	5/1984	Cillario	D499,642 S	12/2004	Karim
4,577,757 A	3/1986	Hustad et al.	D510,263 S	10/2005	Isono et al.
4,656,068 A	4/1987	Raines	D543,866 S	6/2007	Mikkelsen
4,673,085 A	6/1987	Badouard et al.	D544,370 S	6/2007	Tuccillo
4,834,247 A	5/1989	Oshima et al.	7,247,329 B2	7/2007	Mattisson
4,836,380 A	6/1989	Walter et al.	D560,490 S	1/2008	Kirk et al.
D339,522 S	9/1993	Zoss	7,322,473 B2 *	1/2008	Fux 206/459.1
D349,456 S	8/1994	Wilson	D579,768 S	11/2008	Kirk et al.
5,366,744 A	11/1994	Drummond et al.	D584,944 S	1/2009	Kirk et al.
5,388,757 A	2/1995	Lorenzen	D590,246 S	4/2009	Kirk et al.
D368,028 S	3/1996	Baker	2002/0172834 A1	11/2002	Rivett et al.
5,503,858 A	4/1996	Reskow	2003/0141218 A1	7/2003	Stephens et al.
5,540,334 A	7/1996	Haas et al.	2006/0263494 A1	11/2006	Geng et al.
D375,680 S	11/1996	Liebermann			
D375,681 S	11/1996	Liebermann			
D395,232 S	6/1998	Bryan, III et al.			
D395,233 S	6/1998	Bryan, III et al.			

OTHER PUBLICATIONS

Buitoni Package Example—Buitoni Three Cheese Tortellini.

* cited by examiner

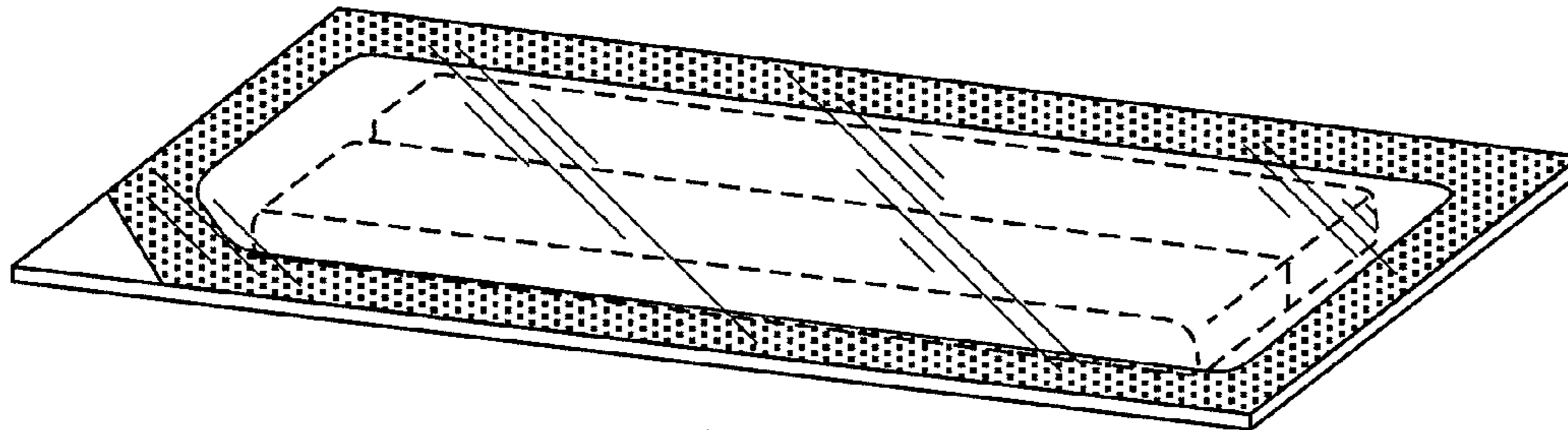


FIG. 1

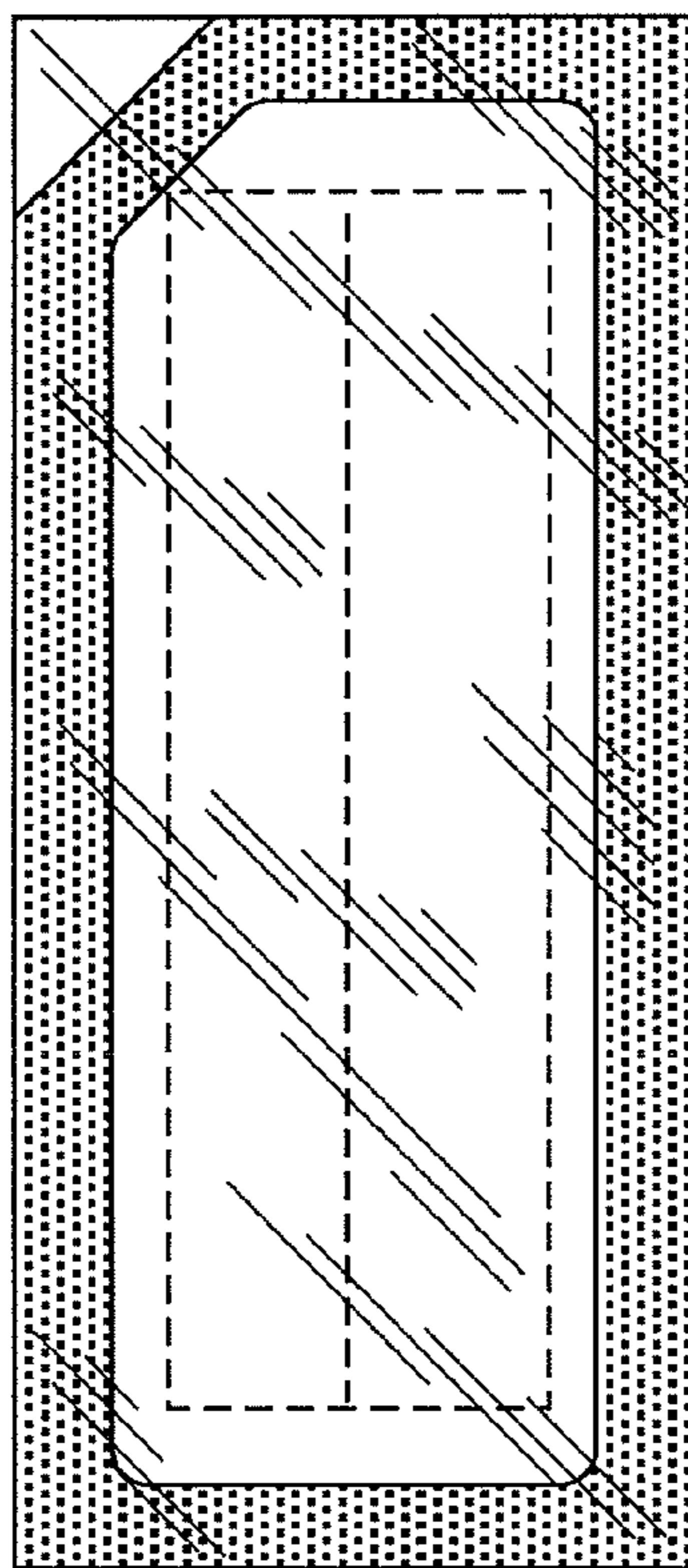


FIG. 2

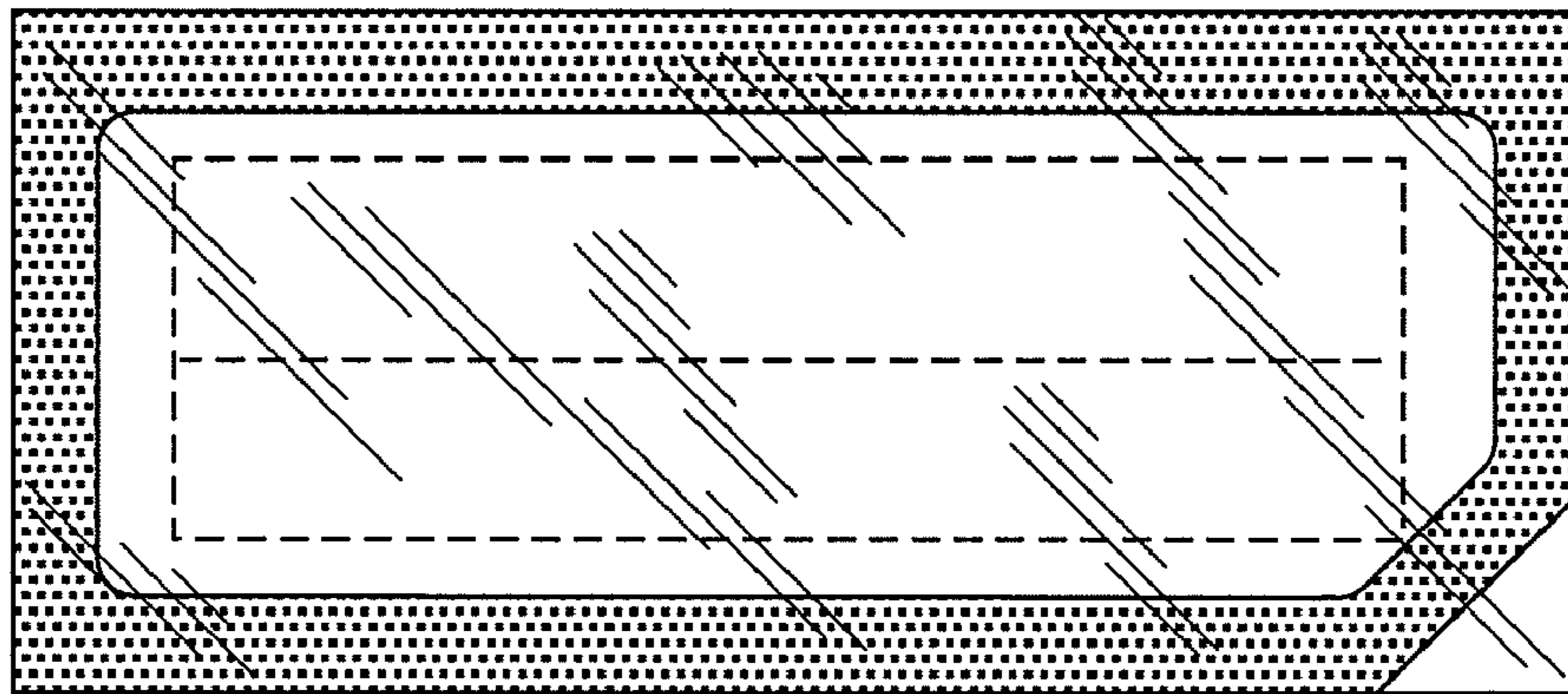


FIG. 3



FIG. 4

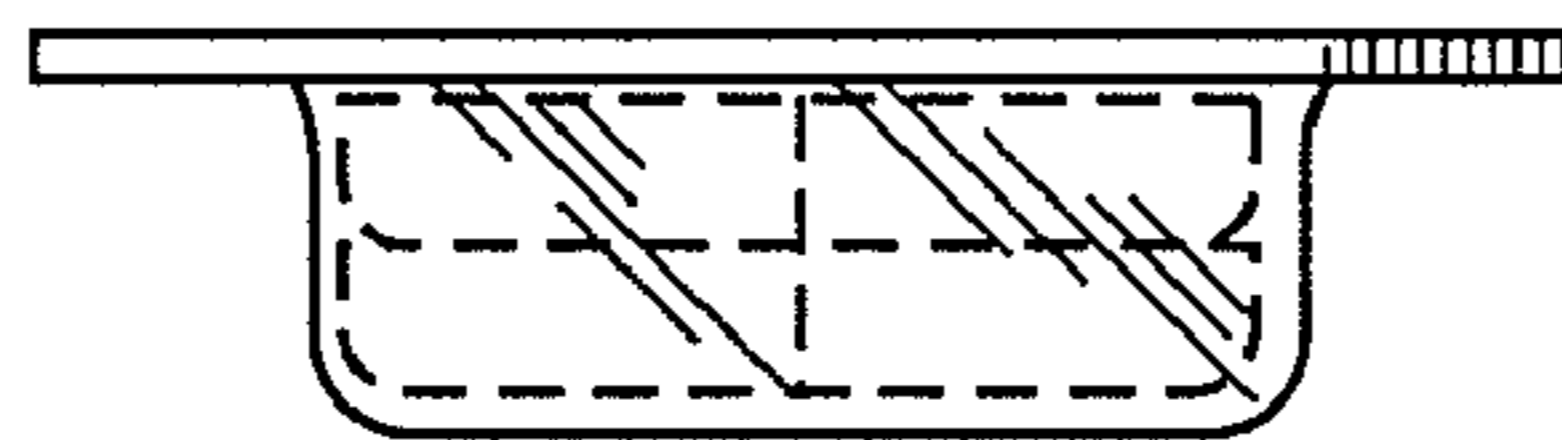


FIG. 5

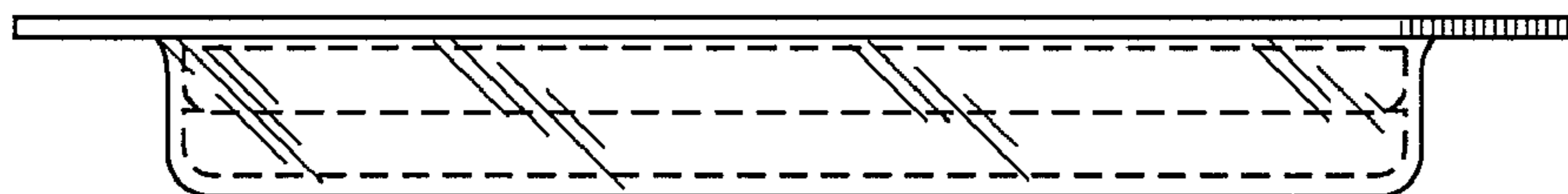


FIG. 6

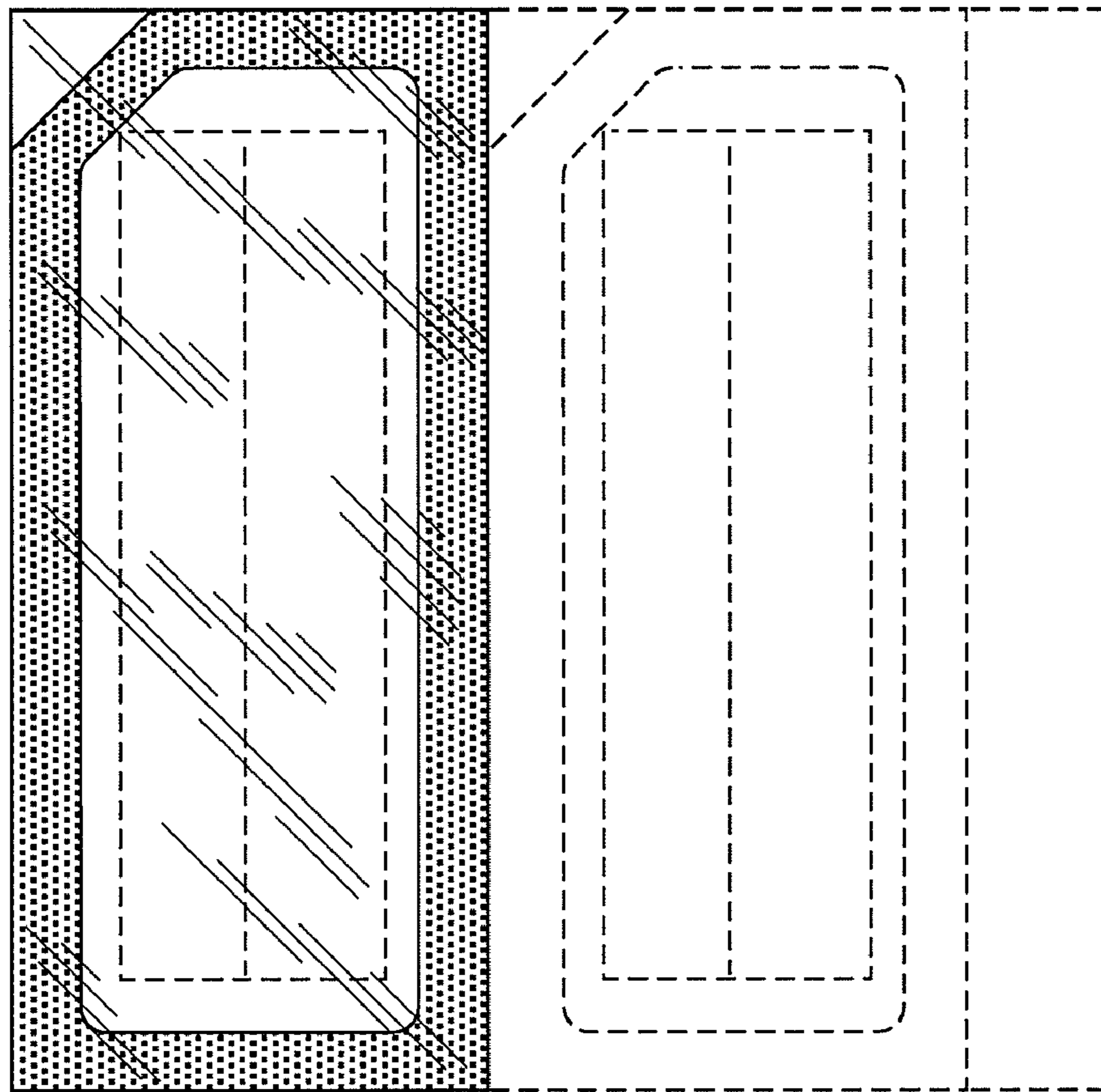


FIG. 7