



US00D660141S

(12) **United States Design Patent**
Zemel

(10) **Patent No.:** **US D660,141 S**
(45) **Date of Patent:** **** May 22, 2012**

(54) **UTENSIL HANDLE**

(75) Inventor: **Marc Zemel**, Melville, NY (US)

(73) Assignee: **Mr. BAR-B-Q-, Inc.**, Old Bethpage, NY (US)

(**) Term: **14 Years**

(21) Appl. No.: **29/397,851**

(22) Filed: **Jul. 21, 2011**

(51) **LOC (9) Cl.** **07-02**

(52) **U.S. Cl.** **D8/395**

(58) **Field of Classification Search** D7/354-361,
D7/393-395, 401.2, 664, 688, 691, 692, 693;
D8/107, 300, 303, 307, 313, 321; D4/138,
D4/129; 16/421, 430, 431, 110.1, 407;
220/573.1-573.5, 752, 753, 755, 756, 759,
220/767, 771, 912

See application file for complete search history.

(56) **References Cited**

U.S. PATENT DOCUMENTS

D417,121 S	*	11/1999	Brunianyn	D7/395
D427,858 S		7/2000	Zemel		
D431,960 S	*	10/2000	Hay	D7/401.2
D442,026 S	*	5/2001	Rae	D7/395
D456,207 S		4/2002	Zemel		
D456,615 S		5/2002	Zemel		
D456,667 S	*	5/2002	Veltri et al.	D7/387
D463,952 S		10/2002	Zemel		
D465,336 S		11/2002	Zemel		
D474,644 S		5/2003	Zemel		
D476,525 S		7/2003	Zemel		
D481,906 S	*	11/2003	Knor	D7/395
D482,566 S		11/2003	Zemel		
D482,569 S		11/2003	Zemel		
D491,413 S	*	6/2004	Rosenthal	D7/395
D492,543 S	*	7/2004	Munari	D7/395
D494,006 S		8/2004	Zemel		
D494,807 S		8/2004	Zemel		
D496,558 S		9/2004	Zemel		

D528,857 S	9/2006	Zemel
D529,333 S	10/2006	Zemel
D529,335 S	10/2006	Zemel
D531,853 S	11/2006	Zemel
D533,397 S	12/2006	Zemel
D534,001 S	12/2006	Zemel
D535,147 S	1/2007	Zemel
D535,519 S	1/2007	Zemel
D544,750 S	6/2007	Zemel
D545,120 S	6/2007	Zemel
D545,121 S	6/2007	Zemel
D550,504 S	9/2007	Zemel
D562,062 S	2/2008	Zemel

(Continued)

OTHER PUBLICATIONS

U.S. Appl. No. 29/401,580, filed Sep. 13, 2011, Marc Zemel.

(Continued)

Primary Examiner — Cynthia M Chin

(74) *Attorney, Agent, or Firm* — Carter, DeLuca, Farrell & Schmidt LLP

(57) **CLAIM**

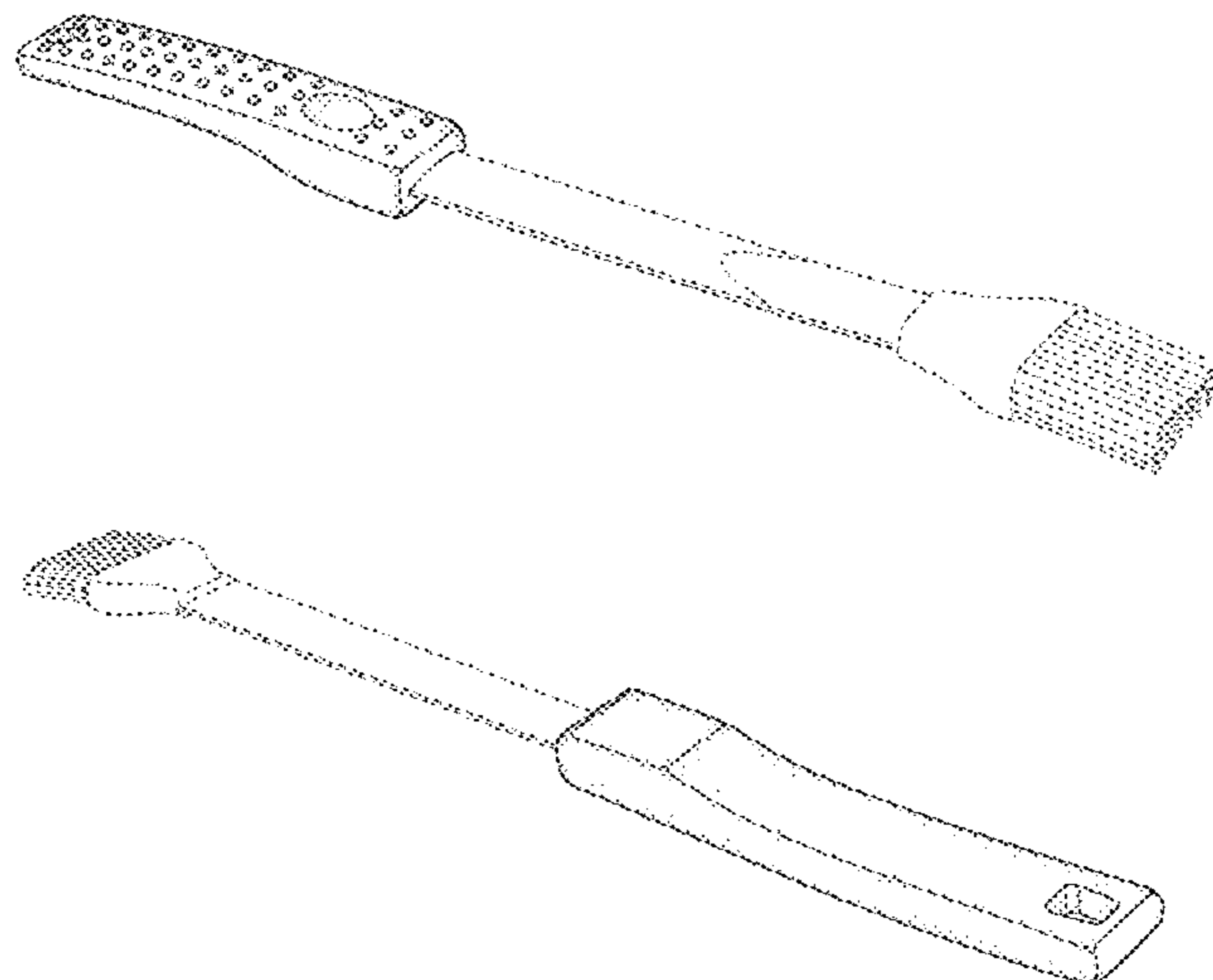
The ornamental design for a utensil handle, as shown and described.

DESCRIPTION

FIG. 1 is a front side perspective view of a utensil handle in accordance with the present design; FIG. 2 is a rear perspective view thereof; FIG. 3 is a top plan view thereof; FIG. 4 is a bottom view thereof; FIG. 5 is a right side elevational view thereof, the other side being a mirror image thereof; and, FIG. 6 is a rear elevational view thereof. The broken lines shown are included for the purpose of illustrating a portion of the utensil handle that forms no part of the claimed design.

The stippling in the drawings is for shading purposes only.

1 Claim, 4 Drawing Sheets



US D660,141 S

Page 2

U.S. PATENT DOCUMENTS

D562,064 S 2/2008 Zemel
D563,675 S 3/2008 Zemel
D564,292 S 3/2008 Zemel
D566,460 S 4/2008 Zemel
D569,174 S 5/2008 Zemel
D572,079 S 7/2008 Zemel
D572,080 S 7/2008 Zemel
D574,184 S 8/2008 Zemel
D579,269 S 10/2008 Zemel
D579,668 S 11/2008 Zemel
D580,659 S 11/2008 Zemel

D588,868 S 3/2009 Zemel
D618,499 S 6/2010 Zemel
D622,542 S 8/2010 Zemel
D629,650 S * 12/2010 Funka et al. D7/401.2

OTHER PUBLICATIONS

U.S. Appl. No. 29/396,910, filed Jul. 8, 2011, Marc Zemel.
U.S. Appl. No. 29/398,654, filed Aug. 3, 2011, Marc Zemel.
U.S. Appl. No. 29/394,748, filed Jun. 21, 2011, Marc Zemel.

* cited by examiner

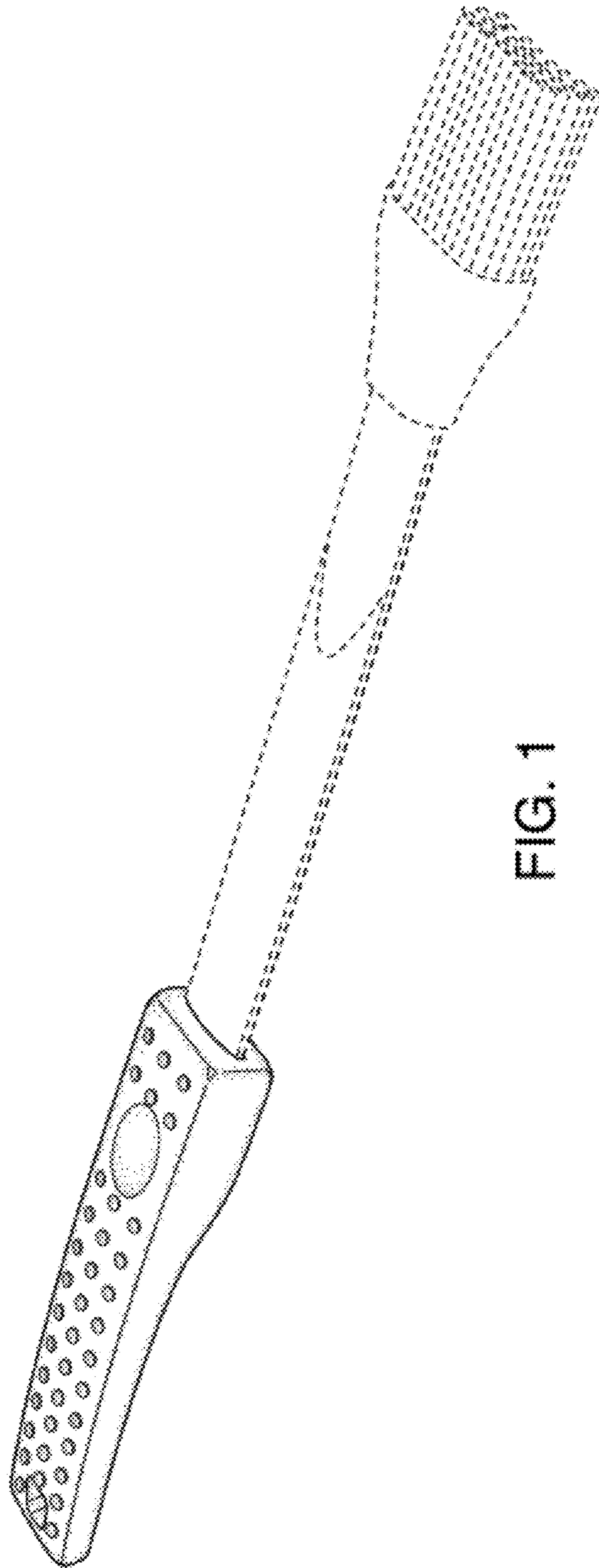


FIG. 1

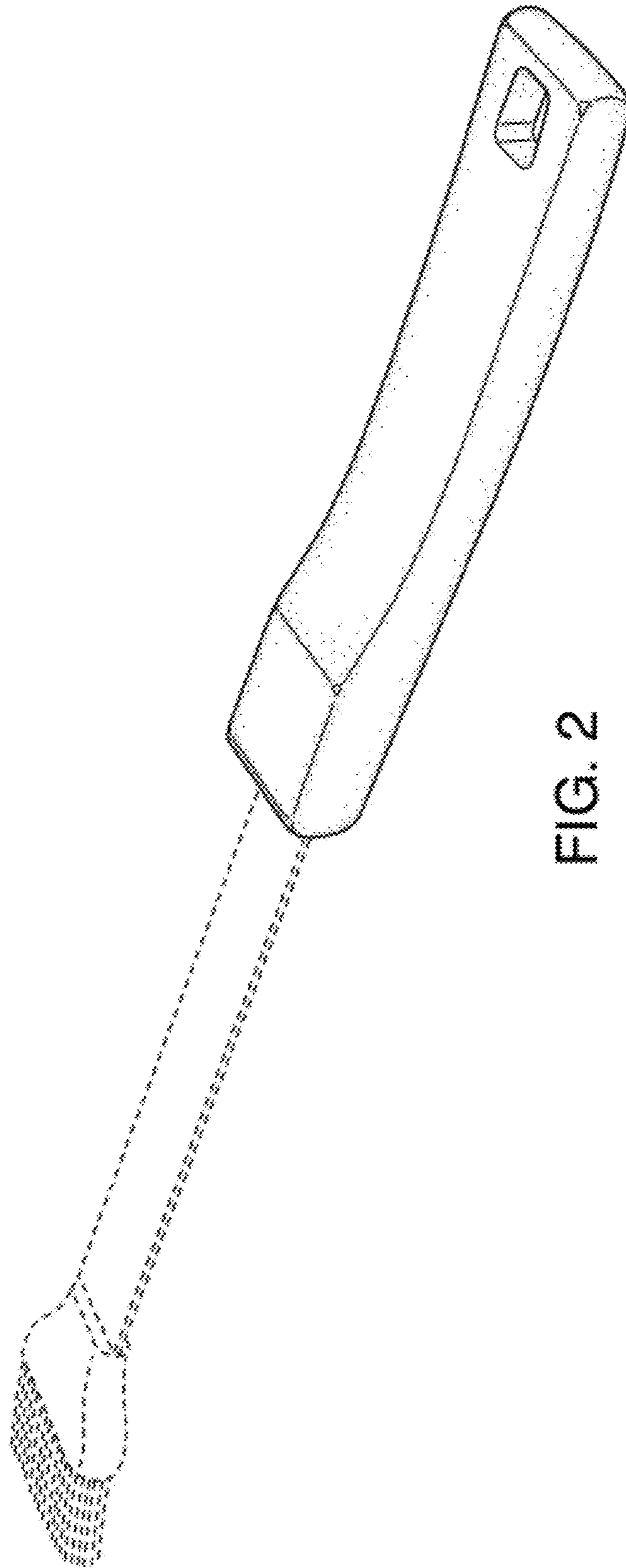


FIG. 2

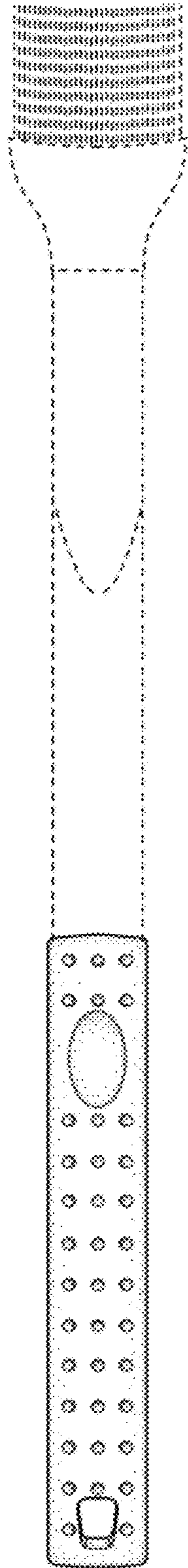


FIG. 3

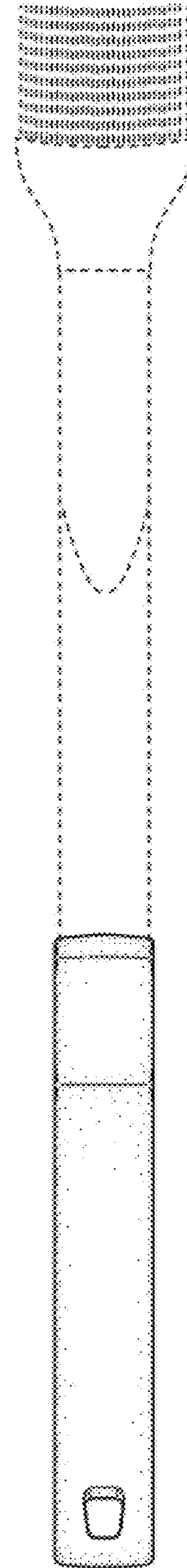


FIG. 4

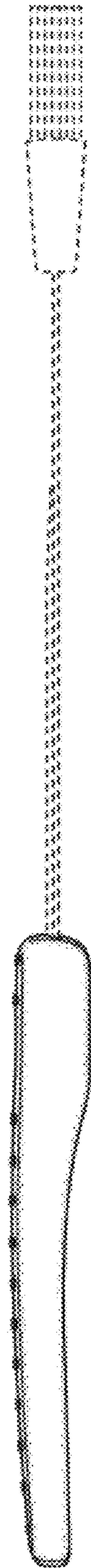


FIG. 5

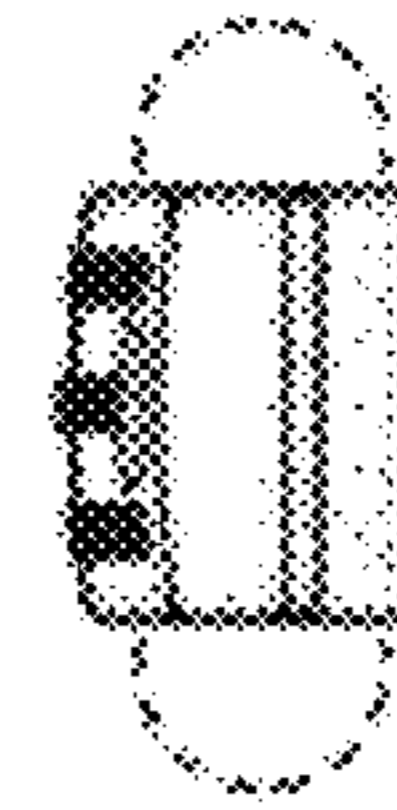


FIG. 6