

US00D660140S

(12) **United States Design Patent**
Pawluk

(10) **Patent No.:** **US D660,140 S**

(45) **Date of Patent:** **** May 22, 2012**

(54) **T-SLOT BOLT**

(76) Inventor: **Robert R. Pawluk**, Toronto (CA)

(**) Term: **14 Years**

(21) Appl. No.: **29/371,398**

(22) Filed: **Feb. 8, 2011**

(30) **Foreign Application Priority Data**

Nov. 5, 2010 (CA) 137827

(51) **LOC (9) Cl.** **08-08**

(52) **U.S. Cl.** **D8/387**

(58) **Field of Classification Search** D8/387,
D8/388; 411/378, 393-394, 85, 402-403,
411/411

See application file for complete search history.

(56) **References Cited**

U.S. PATENT DOCUMENTS

2,936,667 A * 5/1960 Thorberg 411/393
D252,013 S * 6/1979 Casey D8/387

4,784,554 A * 11/1988 Break 411/383
6,430,756 B1 * 8/2002 Reilly 4/252.1
D499,010 S * 11/2004 Velten D8/387
D612,714 S * 3/2010 Skubic D8/387
D625,977 S * 10/2010 Watson et al. D8/51
D631,736 S * 2/2011 You D8/387

* cited by examiner

Primary Examiner — Sheryl Lane

(57) **CLAIM**

I claim the ornamental design for a T-slot bolt, as shown and described.

DESCRIPTION

FIG. 1: is a perspective top, front and first side view of a T-slot bolt showing the design applied thereto;
FIG. 2: is a front elevational view thereof;
FIG. 3: is a first side view thereof;
FIG. 4: is a rear elevation view thereof;
FIG. 5: is a second side view thereof;
FIG. 6 is a bottom elevation view thereof; and,
FIG. 7 is a top plan view thereof.

1 Claim, 3 Drawing Sheets

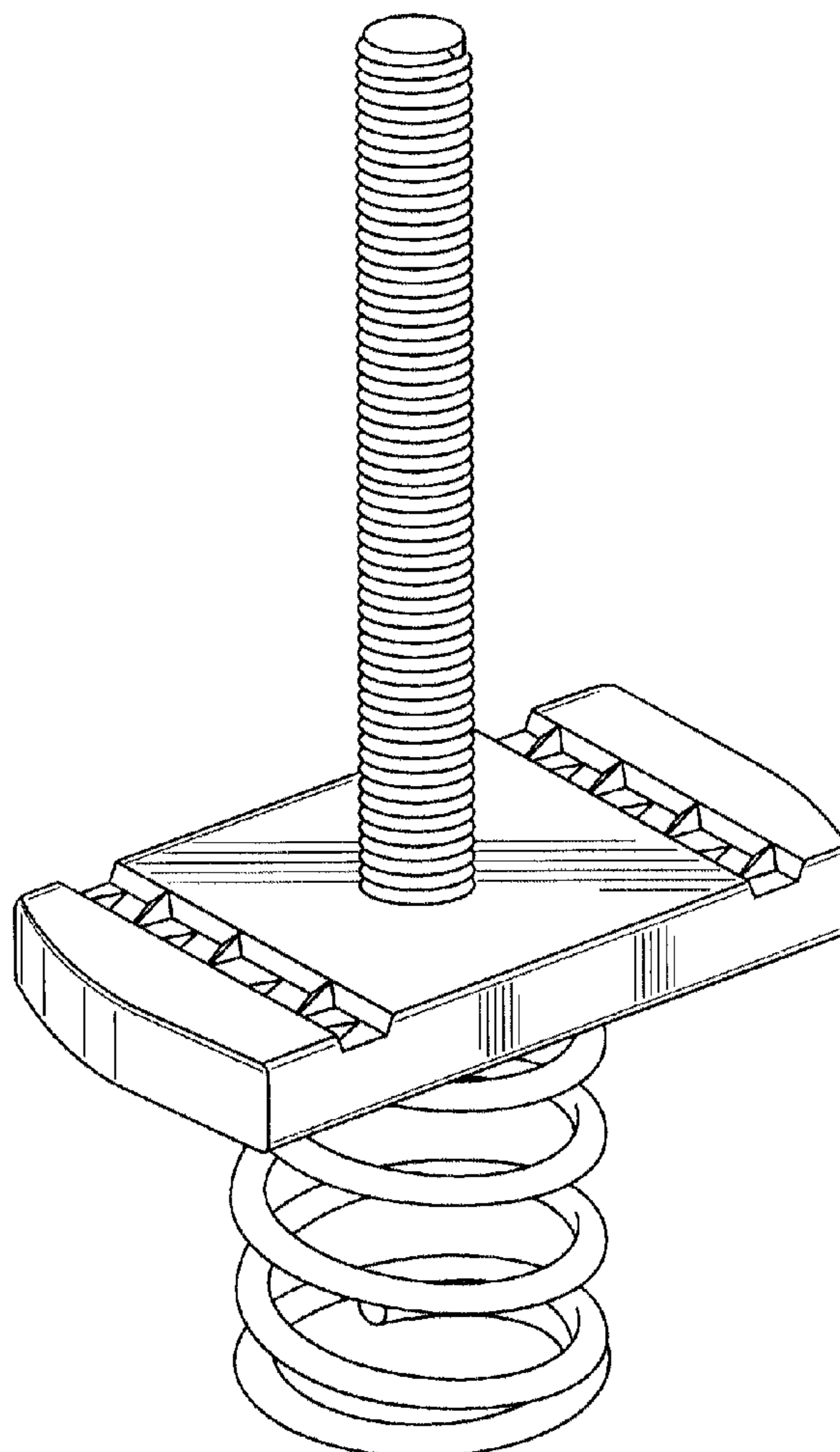


Fig. 1

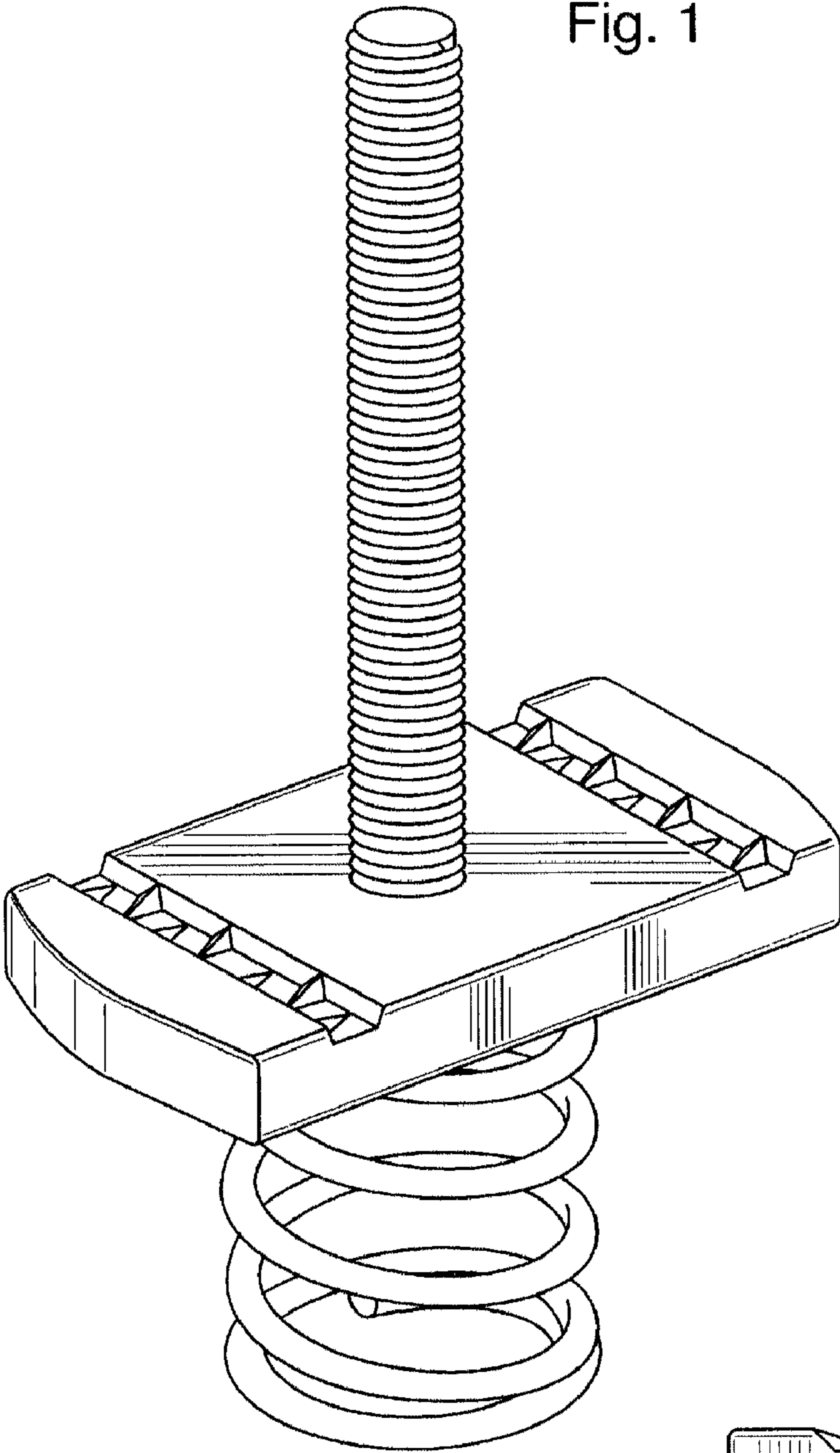


Fig. 2

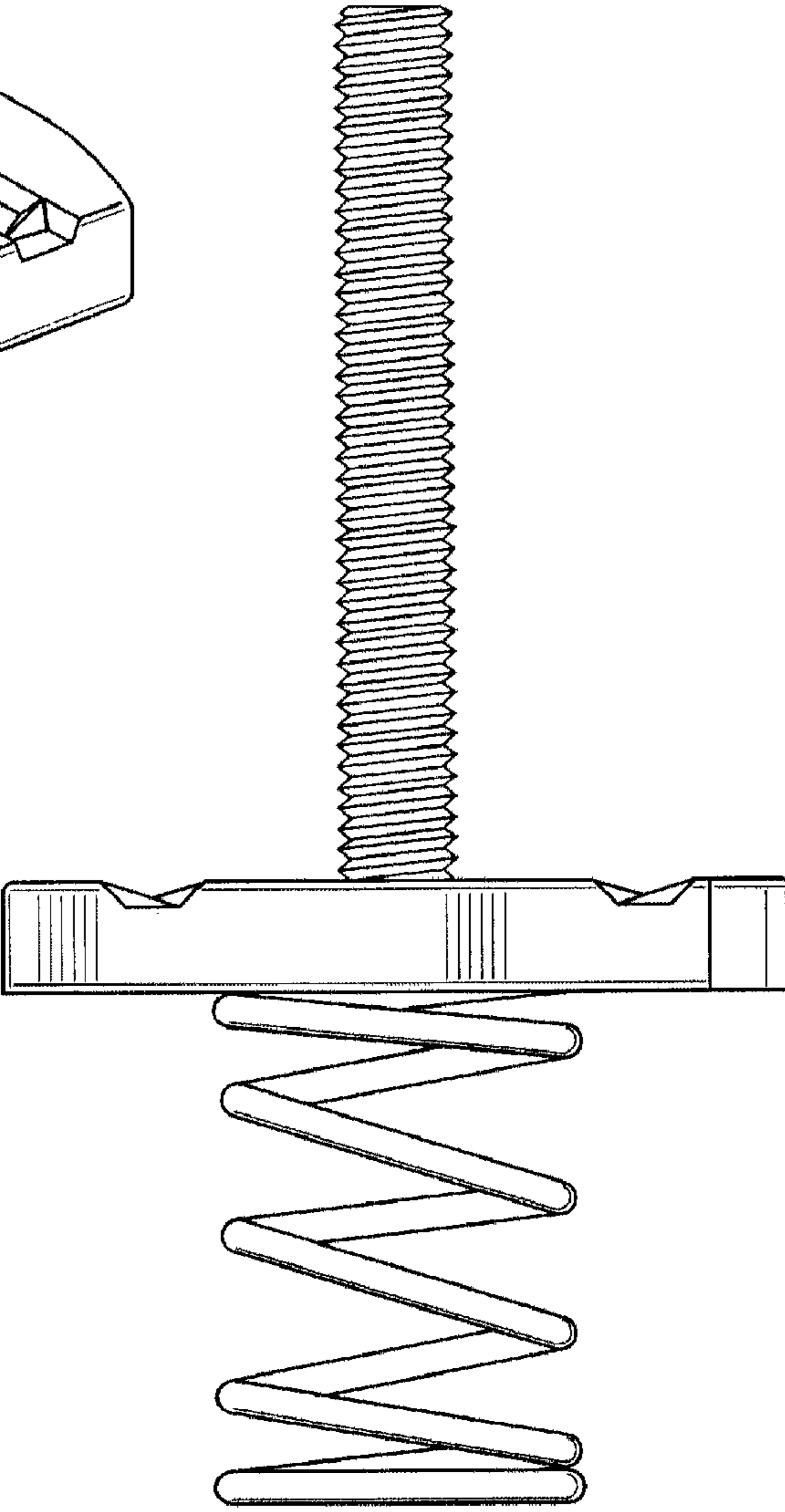


Fig. 3

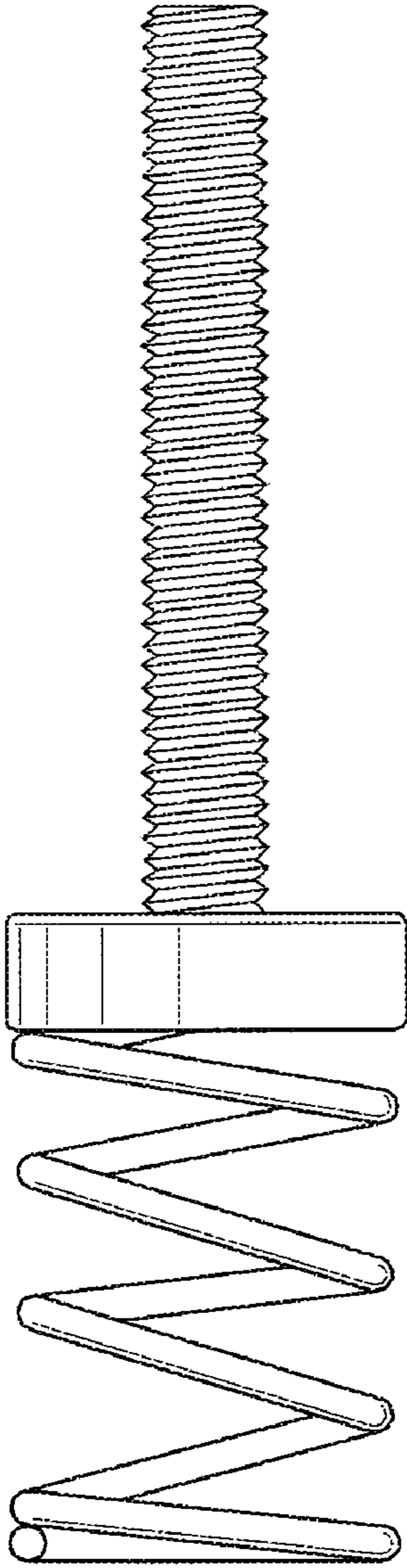


Fig. 4

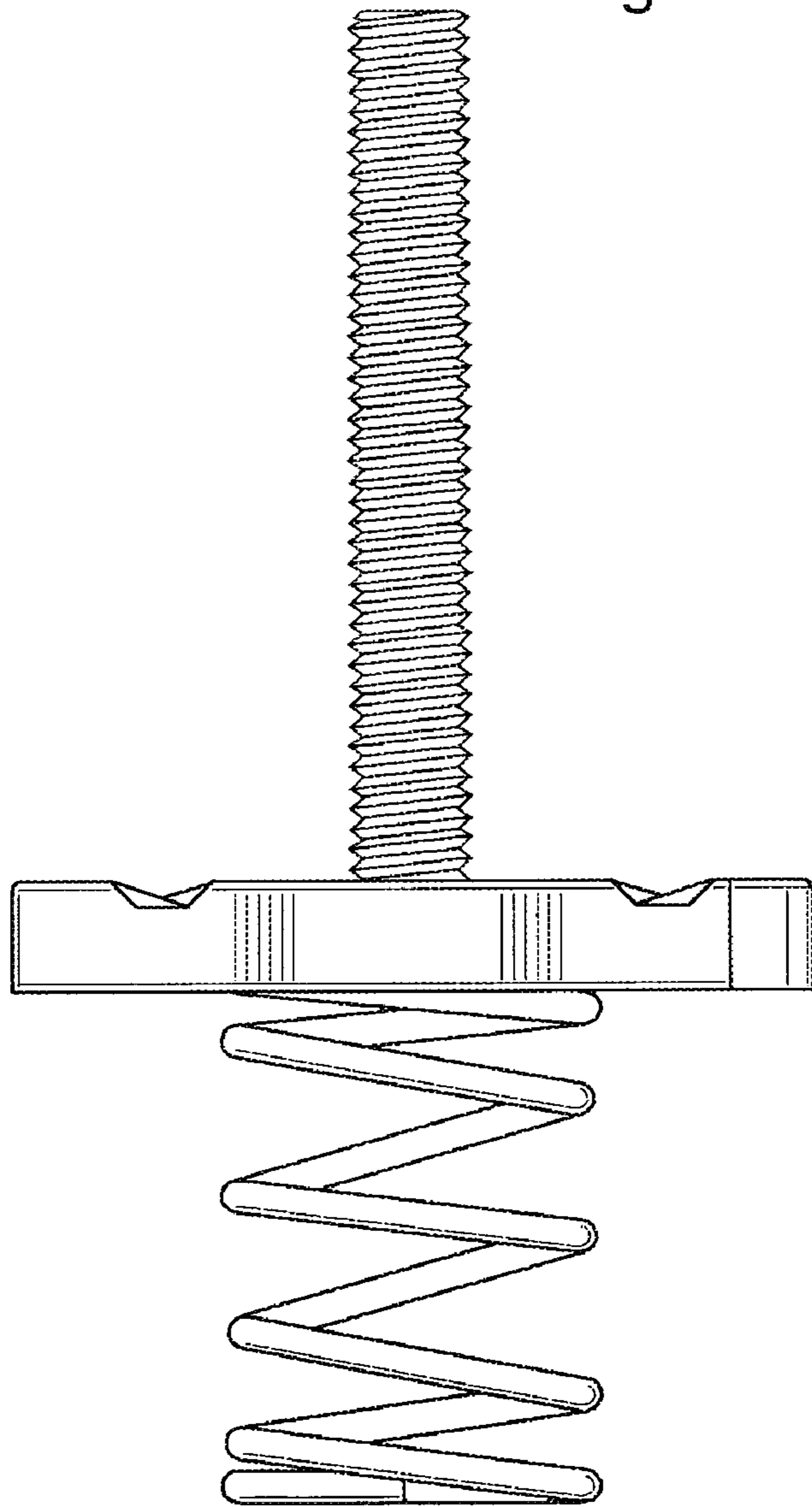


Fig. 5

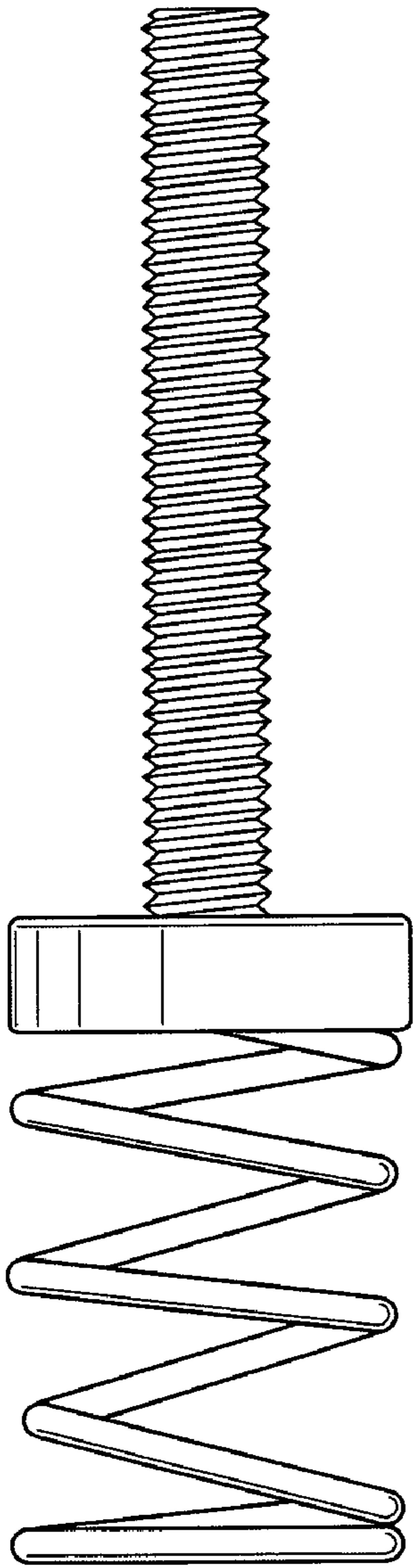


Fig. 6

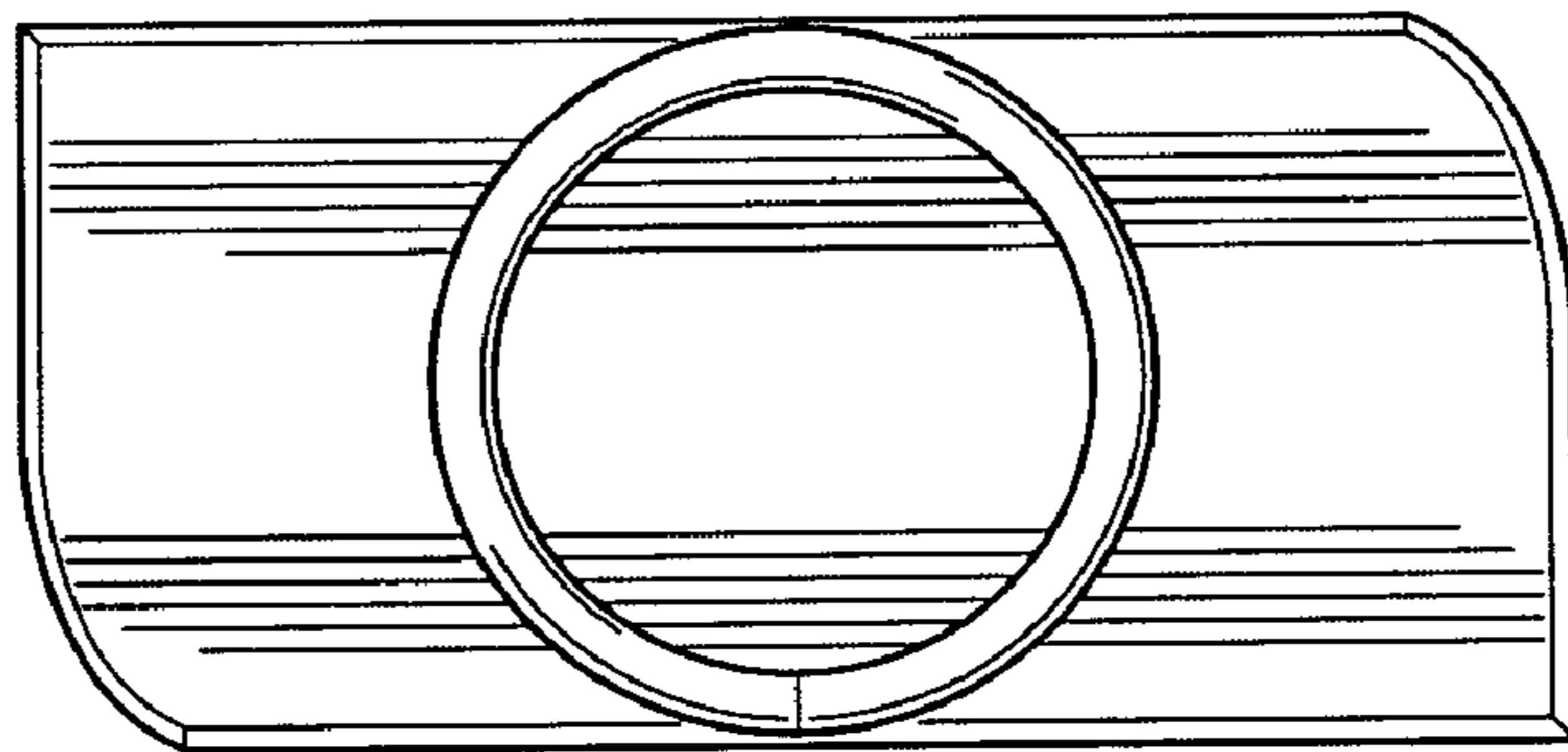


Fig. 7

