



US00D660138S

(12) **United States Design Patent**  
**Gallagher, Jr. et al.**

(10) **Patent No.:** **US D660,138 S**

(45) **Date of Patent:** **\*\* May 22, 2012**

(54) **STOPPER CLIP**

(75) Inventors: **William K. Gallagher, Jr.**, Oakland, CA (US); **Lori Bonn Gallagher**, Oakland, CA (US); **Sabrina Ferrand**, San Rafael, CA (US)

(73) Assignee: **Lori Bonn Design, Inc.**, Oakland, CA (US)

(\*\*) Term: **14 Years**

(21) Appl. No.: **29/404,011**

(22) Filed: **Oct. 13, 2011**

**Related U.S. Application Data**

(62) Division of application No. 29/376,048, filed on Sep. 30, 2010, now Pat. No. Des. 649,029.

(51) **LOC (9) Cl.** ..... **08-08**

(52) **U.S. Cl.** ..... **D8/383; D11/87**

(58) **Field of Classification Search** ..... D8/383; D11/200, 201, 216, 206, 213, 222, 218, 6, D11/87, 94; 24/115 R, 200, 196, 171, 112, 24/163 R, 265 R; 63/3

See application file for complete search history.

(56) **References Cited**

**U.S. PATENT DOCUMENTS**

4,038,726	A	8/1977	Takabayashi
D264,828	S	6/1982	Gray
4,590,649	A	5/1986	Neilson, Jr.
4,656,697	A	4/1987	Naslund
D323,102	S	1/1992	Kipling
D331,725	S	12/1992	Mastoloni
5,548,878	A	8/1996	Romagnoli
5,687,585	A	11/1997	Ferrell
5,706,560	A	1/1998	Anscher et al.
5,960,522	A	10/1999	Boe
5,979,095	A	11/1999	Schneider et al.
6,223,559	B1	5/2001	Coleman
D466,433	S	12/2002	Goto

D499,330	S	12/2004	Peato
7,007,507	B2	3/2006	Enevoldsen
7,249,397	B2	7/2007	Abels et al.
D585,331	S	1/2009	Kumazaki et al.
7,540,172	B2	6/2009	Julkowski et al.

(Continued)

*Primary Examiner* — Sheryl Lane

(74) *Attorney, Agent, or Firm* — James F. Hann; Haynes Beffel & Wolfeld LLP

(57) **CLAIM**

We claim the ornamental design for a stopper clip, as shown and described.

**DESCRIPTION**

This is related to U.S. patent application Ser. No. 29/376,049, entitled Stopper Clip filed on Sep. 30, 2010, and U.S. patent application Ser. No. 29/376,050, entitled Bracelet Stopper Clip filed on Sep. 30, 2010, the disclosures of which are incorporated by reference.

FIG. 1 is a front, left side, top view of a stopper clip in a closed position showing our new design;

FIG. 2 is a left side, top, rear view thereof in open condition with functional elements shown in broken lines for environmental purposes only;

FIG. 3 is front, left side, top view thereof in open condition with functional elements shown in broken lines for environmental purposes only;

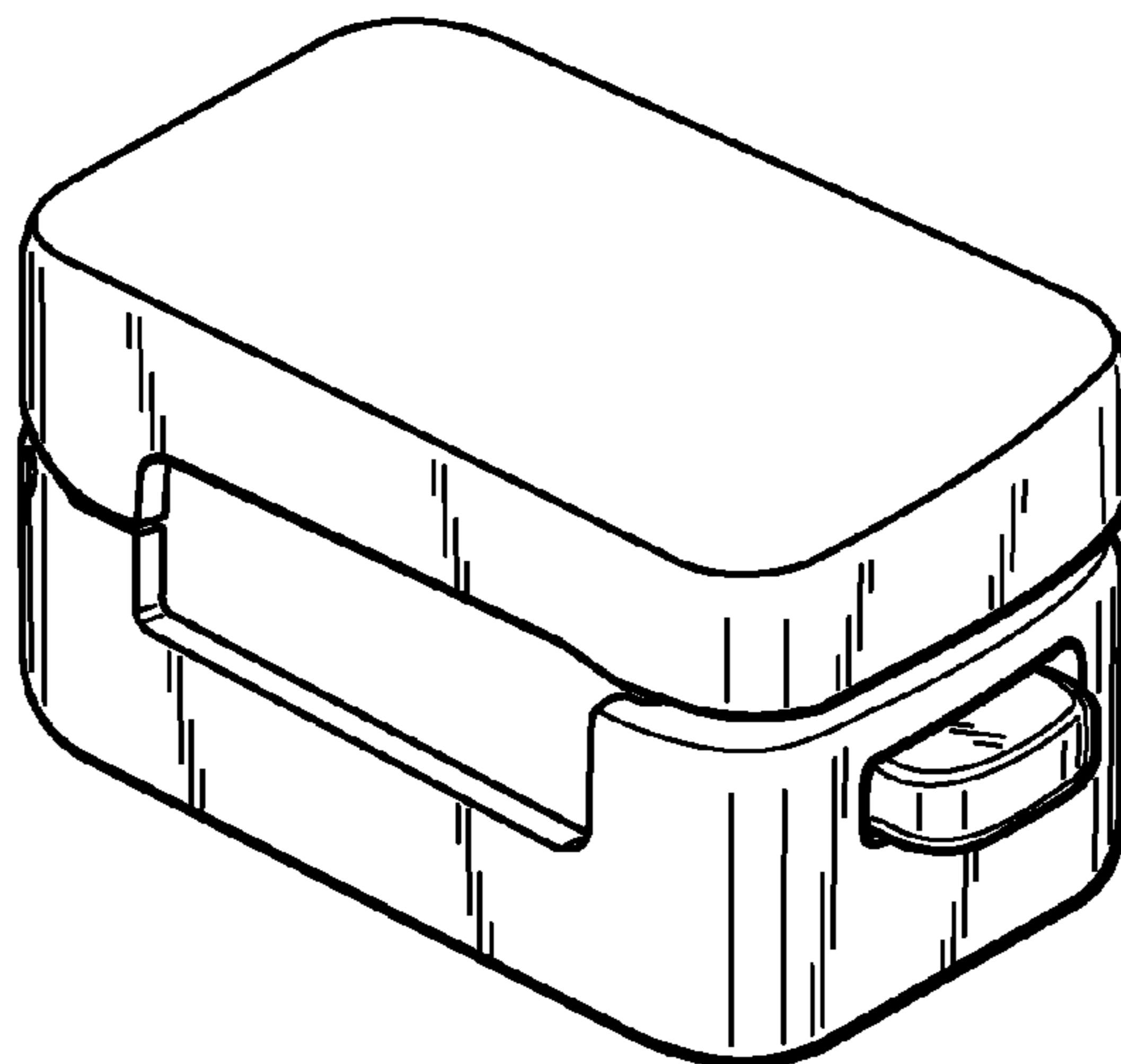
FIG. 4 is a left side, top, rear view thereof in open condition with functional elements shown in broken lines for environmental purposes only; and,

FIG. 5 is an environmental view illustrating the use of two of the stopper clips of FIG. 1 mounted to a bracelet and used to position charms along the bracelet.

The broken line showing of the bracelet is for the purpose of showing environment and forms no part of the claimed design.

The stopper clip is used to position charms along a bracelet as illustrated in FIG. 5.

**1 Claim, 2 Drawing Sheets**



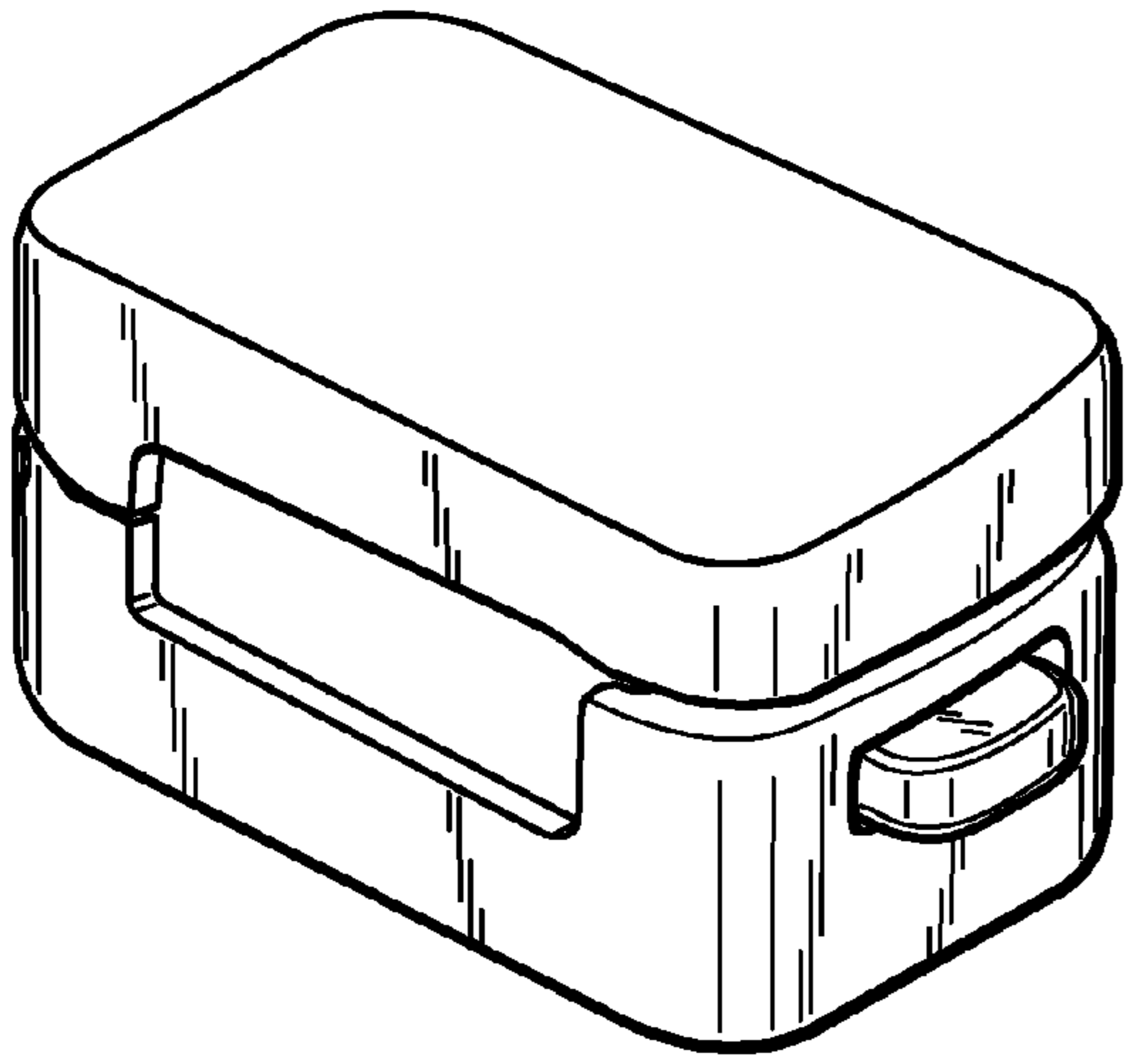
# US D660,138 S

Page 2

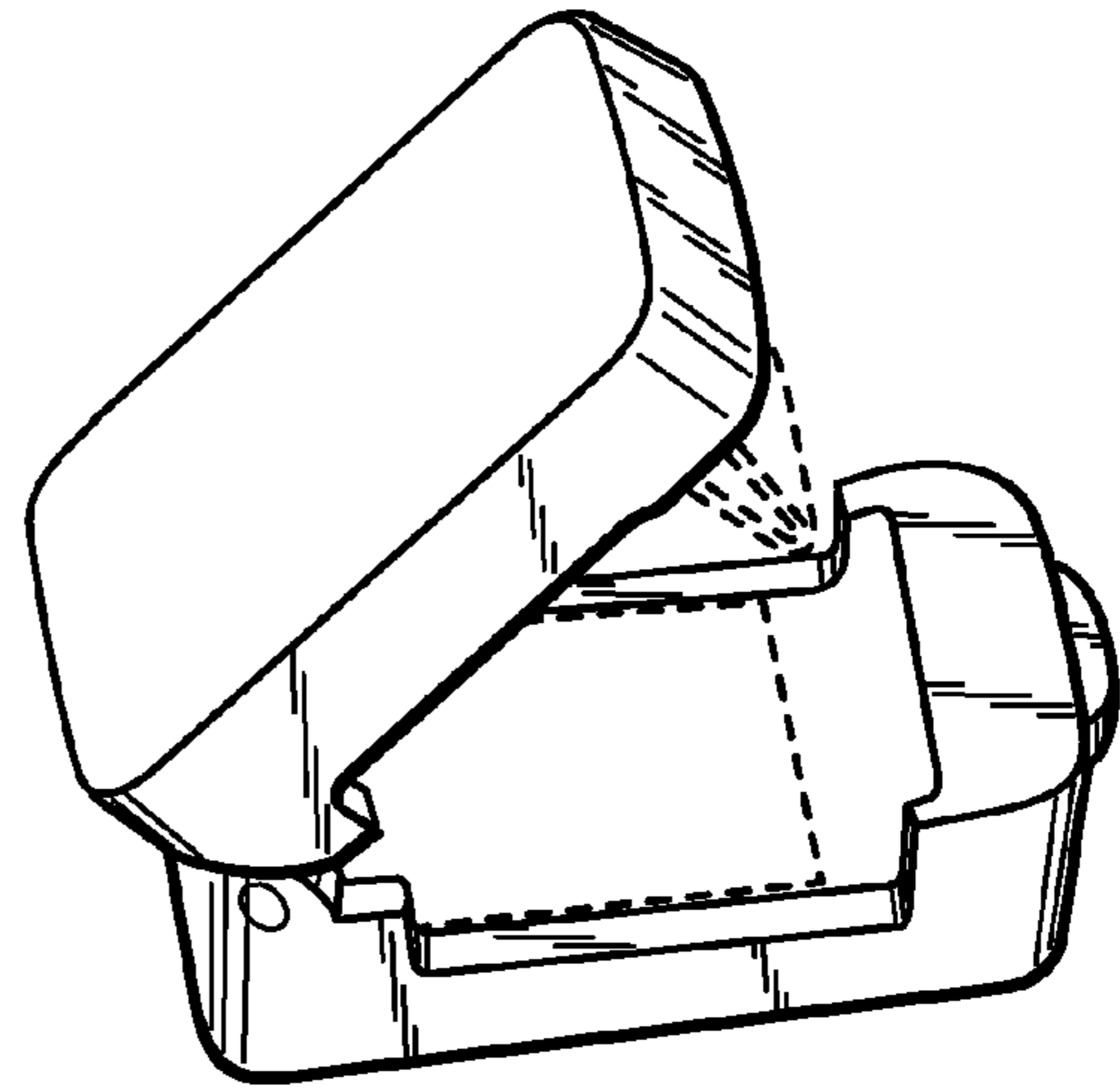
---

U.S. PATENT DOCUMENTS									
D627,001	S	11/2010	de Niet		2002/0144514	A1	10/2002	Rapport	
D649,029	S	* 11/2011	Gallagher et al. ....	D8/383	2004/0144131	A1*	7/2004	Enevoldsen .....	63/3
D649,444	S	* 11/2011	Gallagher et al. ....	D8/383	2006/0260300	A1	11/2006	Julkowski et al.	
D649,445	S	* 11/2011	Gallagher et al. ....	D8/383					

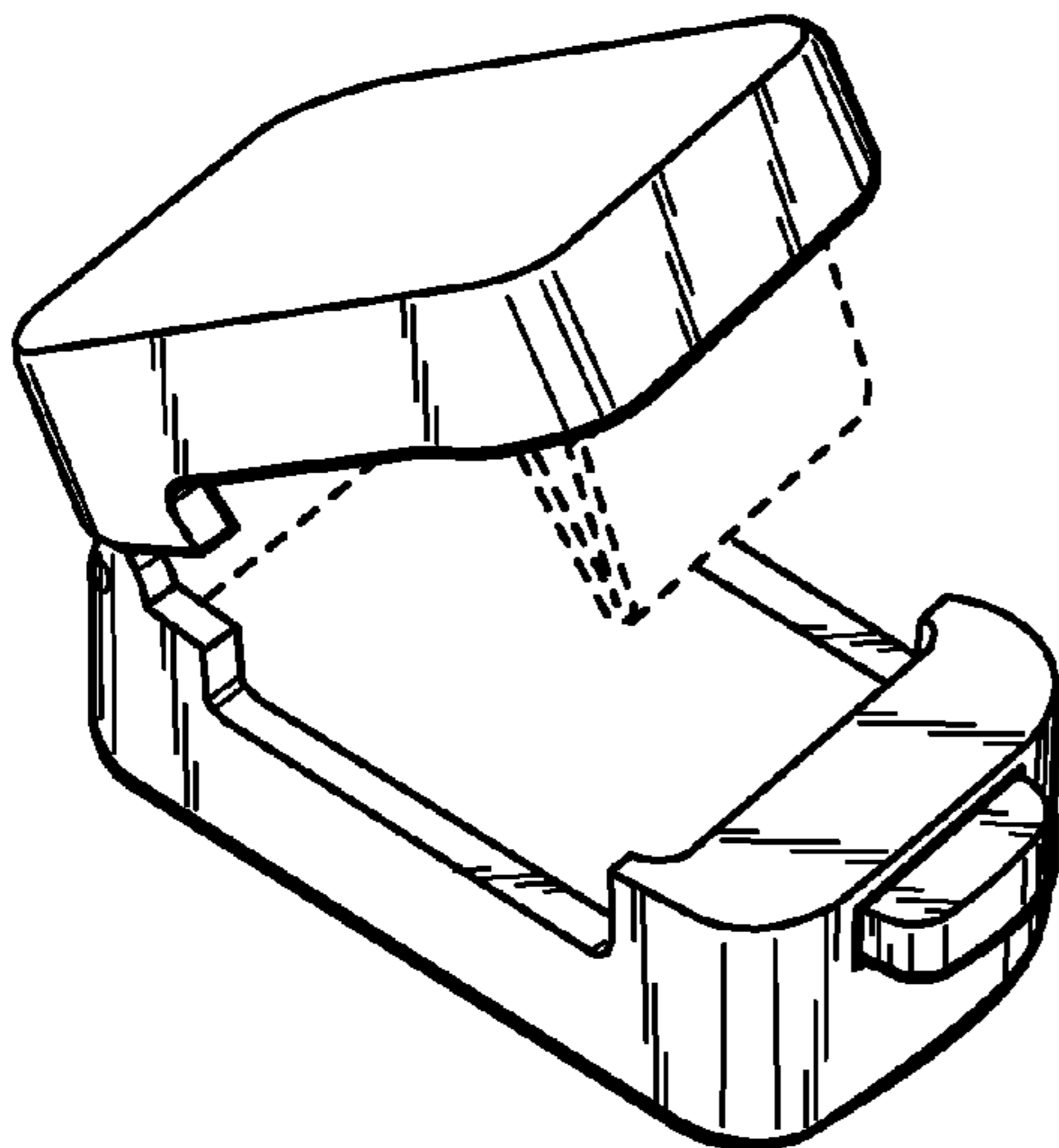
\* cited by examiner



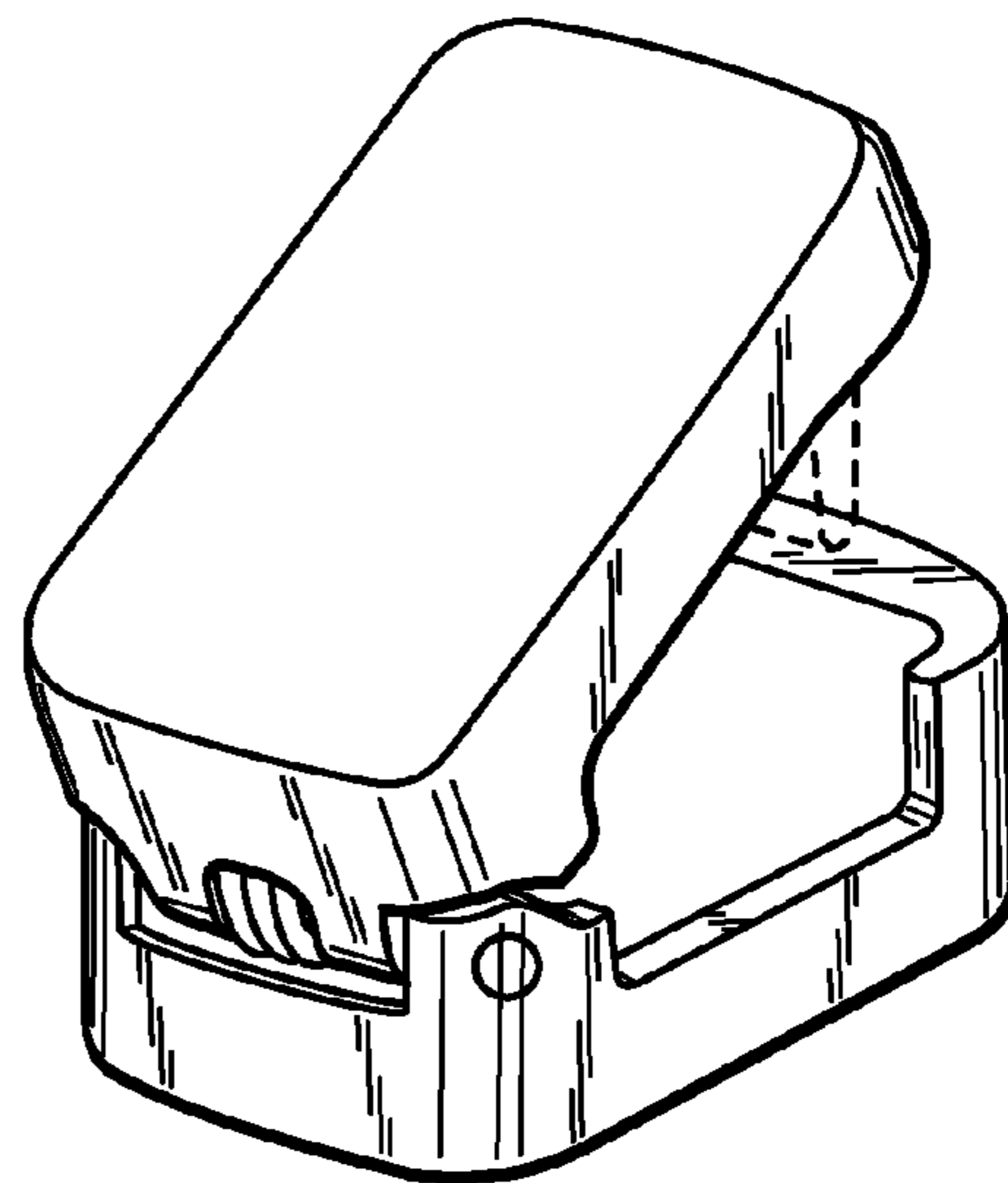
**FIG. 1**



**FIG. 2**



**FIG. 3**



**FIG. 4**

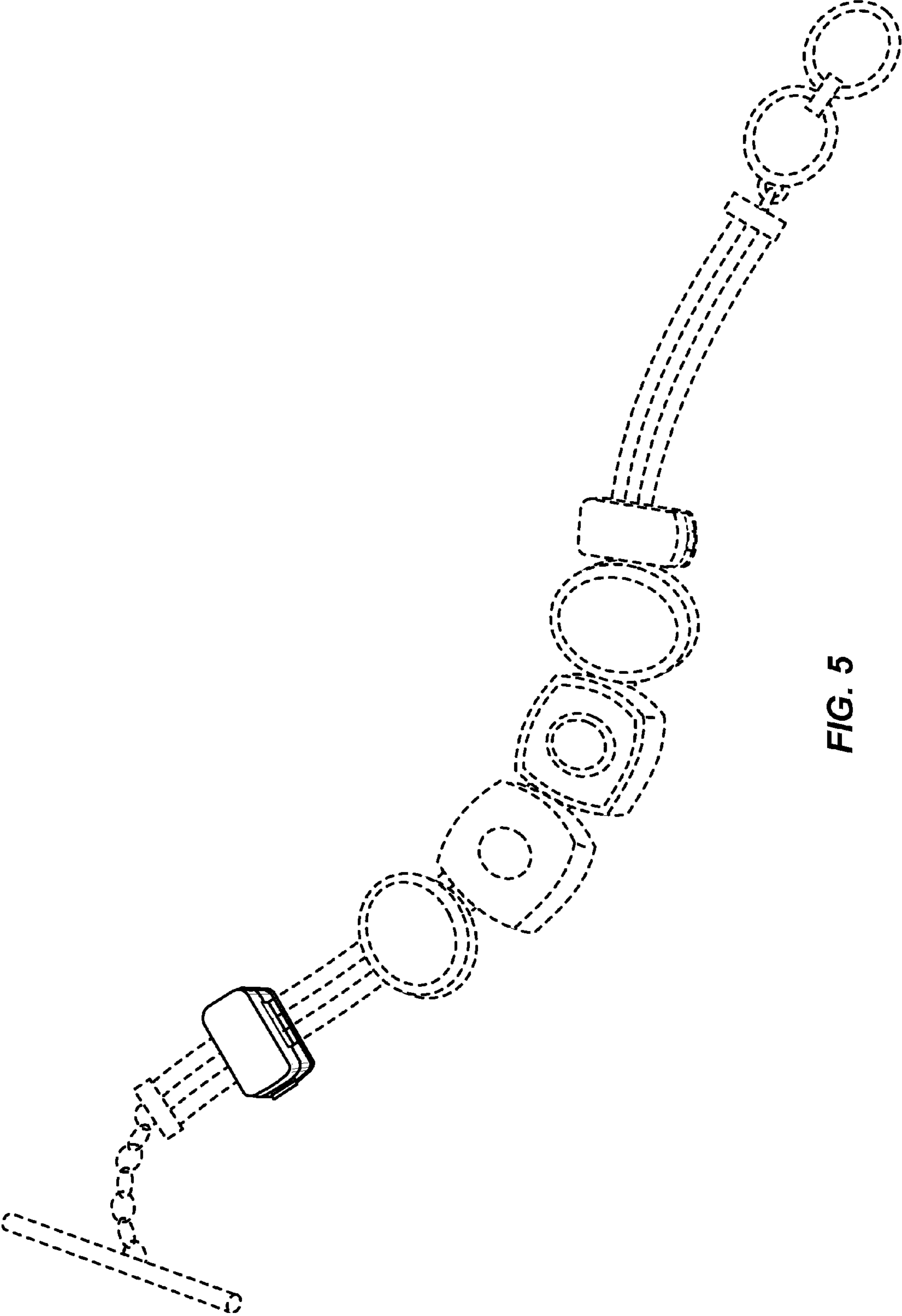


FIG. 5