



US00D660137S

(12) **United States Design Patent**
Ma

(10) **Patent No.:** **US D660,137 S**

(45) **Date of Patent:** **** May 22, 2012**

(54) **FINIAL**

(75) **Inventor:** **Oliver Joen-an Ma**, Arcadia, CA (US)

(73) **Assignee:** **Oliver Joen-an Ma**, Arcadia, CA (US)

(**) **Term:** **14 Years**

(21) **Appl. No.:** **29/352,594**

(22) **Filed:** **Dec. 22, 2009**

(51) **LOC (9) Cl.** **08-08**

(52) **U.S. Cl.** **D8/378**

(58) **Field of Classification Search** D8/378,
D8/307, 310, 300, 380, 373, 376, 353, 352,
D8/367; D26/154; 428/28; 446/236; D6/550;
D7/393; 16/110.1, 414, 417, 433, 441, DIG. 30;
D23/250, 238; 292/347; 248/262, 261, 264,
248/251, 200; 160/348; 211/105.1, 105.2
See application file for complete search history.

(56) **References Cited**

U.S. PATENT DOCUMENTS

1,538,268	A *	5/1925	Casler	301/5.7
1,542,103	A *	6/1925	Shoemaker	301/5.304
2,606,791	A *	8/1952	Specht	301/5.7
3,096,115	A *	7/1963	Patriquin et al.	292/347
D230,950	S *	3/1974	Moon	D8/378
D251,263	S *	3/1979	Willis	D12/212
D261,406	S *	10/1981	Corbin	D21/779
D389,047	S *	1/1998	Smiley et al.	D8/378
D427,507	S *	7/2000	Huang	D8/378

D430,481	S *	9/2000	Graves et al.	D8/378
D504,608	S *	5/2005	File et al.	D8/378
D504,807	S *	5/2005	Harwanko	D8/376
D522,844	S *	6/2006	Harwanko	D8/376
D522,845	S *	6/2006	Suero	D8/376
D522,846	S *	6/2006	Suero, Jr.	D8/376
D522,847	S *	6/2006	Suero, Jr.	D8/376
D525,115	S *	7/2006	Harwanko	D8/376
D540,424	S *	4/2007	Kirar	D23/213
D547,165	S *	7/2007	Barrese	D8/380
D547,167	S *	7/2007	Barrese	D8/380

* cited by examiner

Primary Examiner — T. Chase Nelson

Assistant Examiner — Michelle E Wilson

(74) *Attorney, Agent, or Firm* — Knobbe, Martens, Olson & Bear LLP

(57) **CLAIM**

The ornamental design for the finial, as shown and described.

DESCRIPTION

FIG. 1 is a perspective front view of the design;

FIG. 2 is a rear perspective view of FIG. 1;

FIG. 3 is a right side perspective view of FIG. 1;

FIG. 4 is a left side perspective view of FIG. 1;

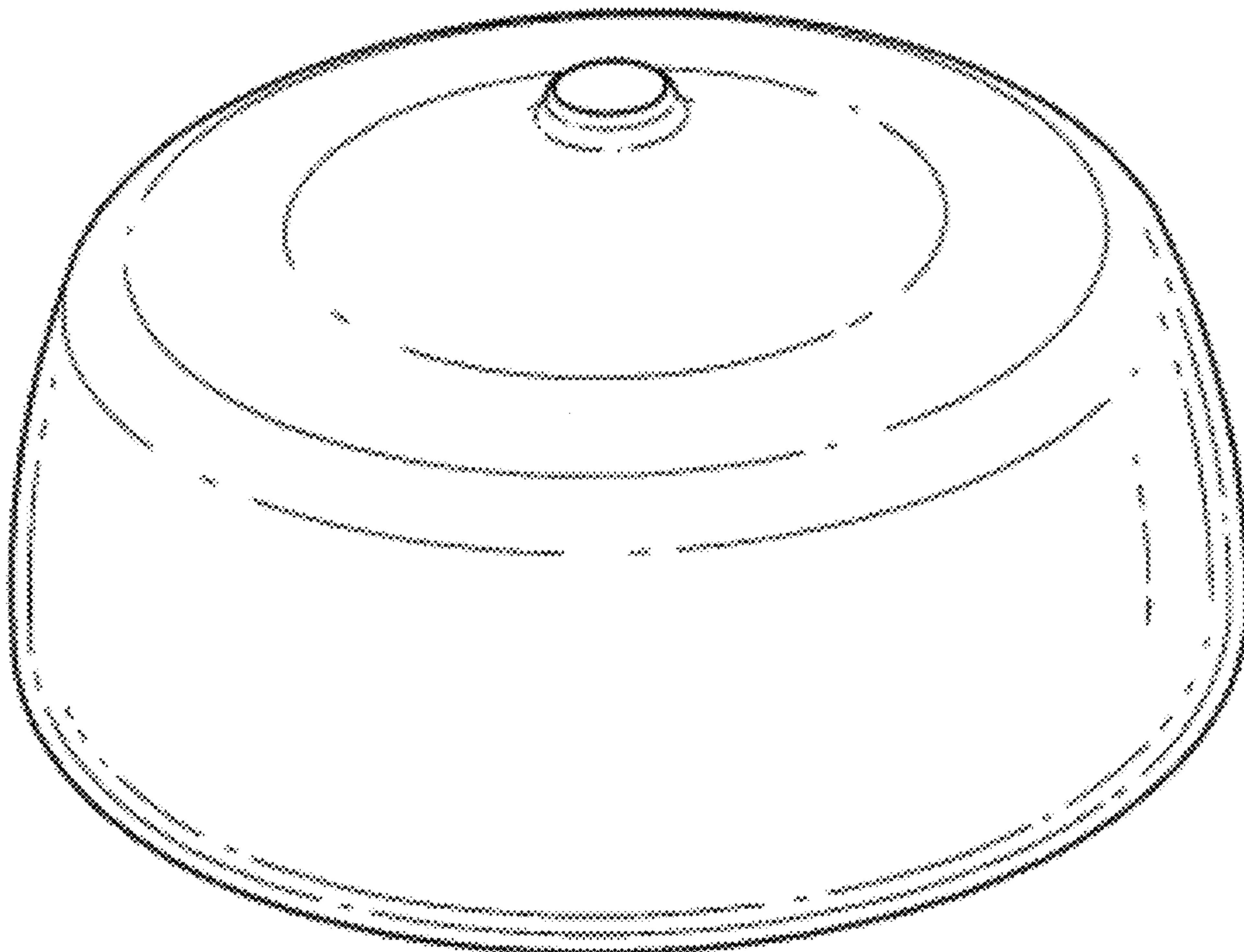
FIG. 5 is bottom view of the design of FIG. 1;

FIG. 6 is a top view of the design of FIG. 1; and,

FIG. 7 is a perspective view of FIG. 1.

The broken lines in FIG. 5 depict the boundaries of the claimed design, and also form no part of the claimed design.

1 Claim, 7 Drawing Sheets



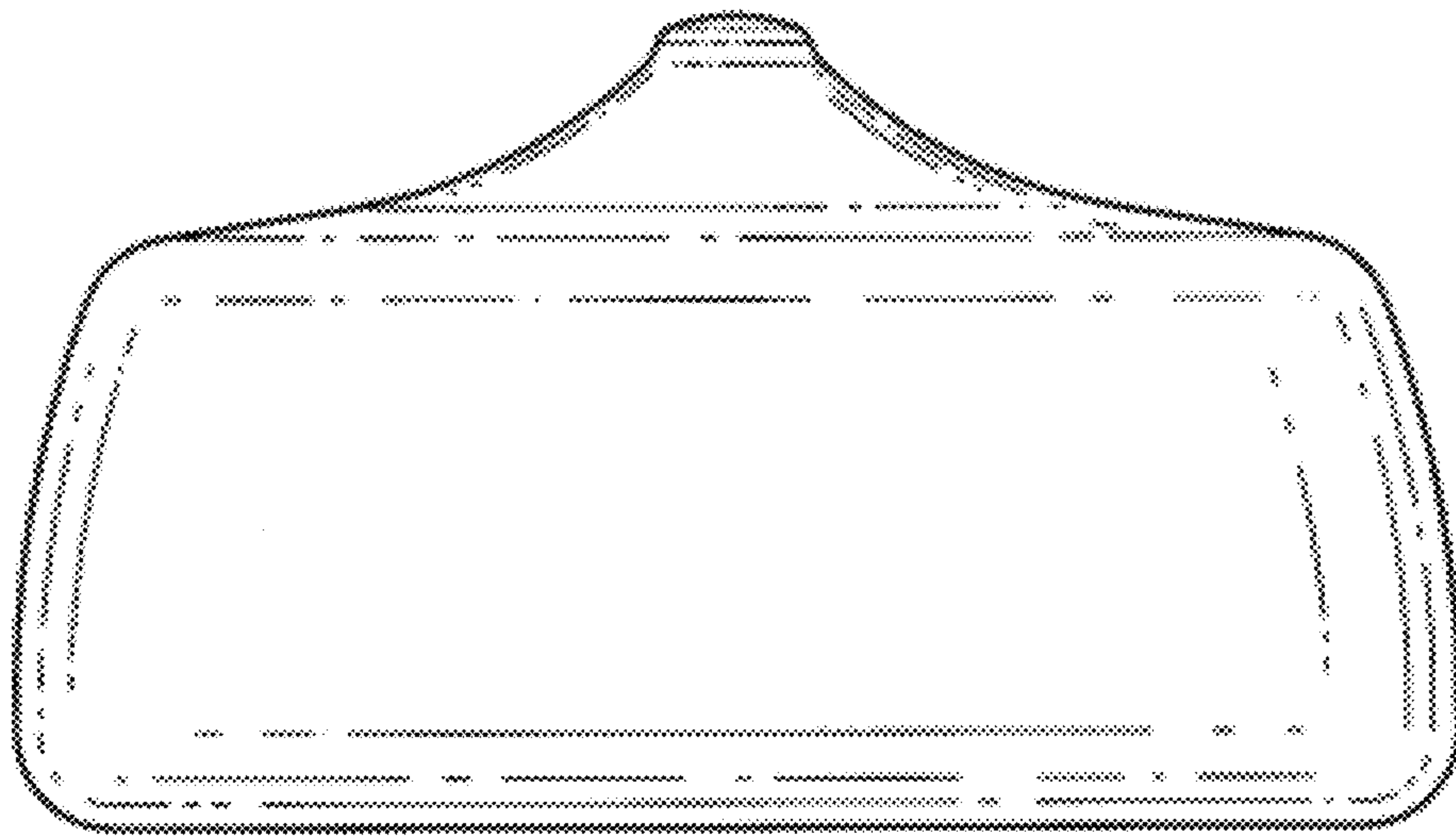


FIG. 1

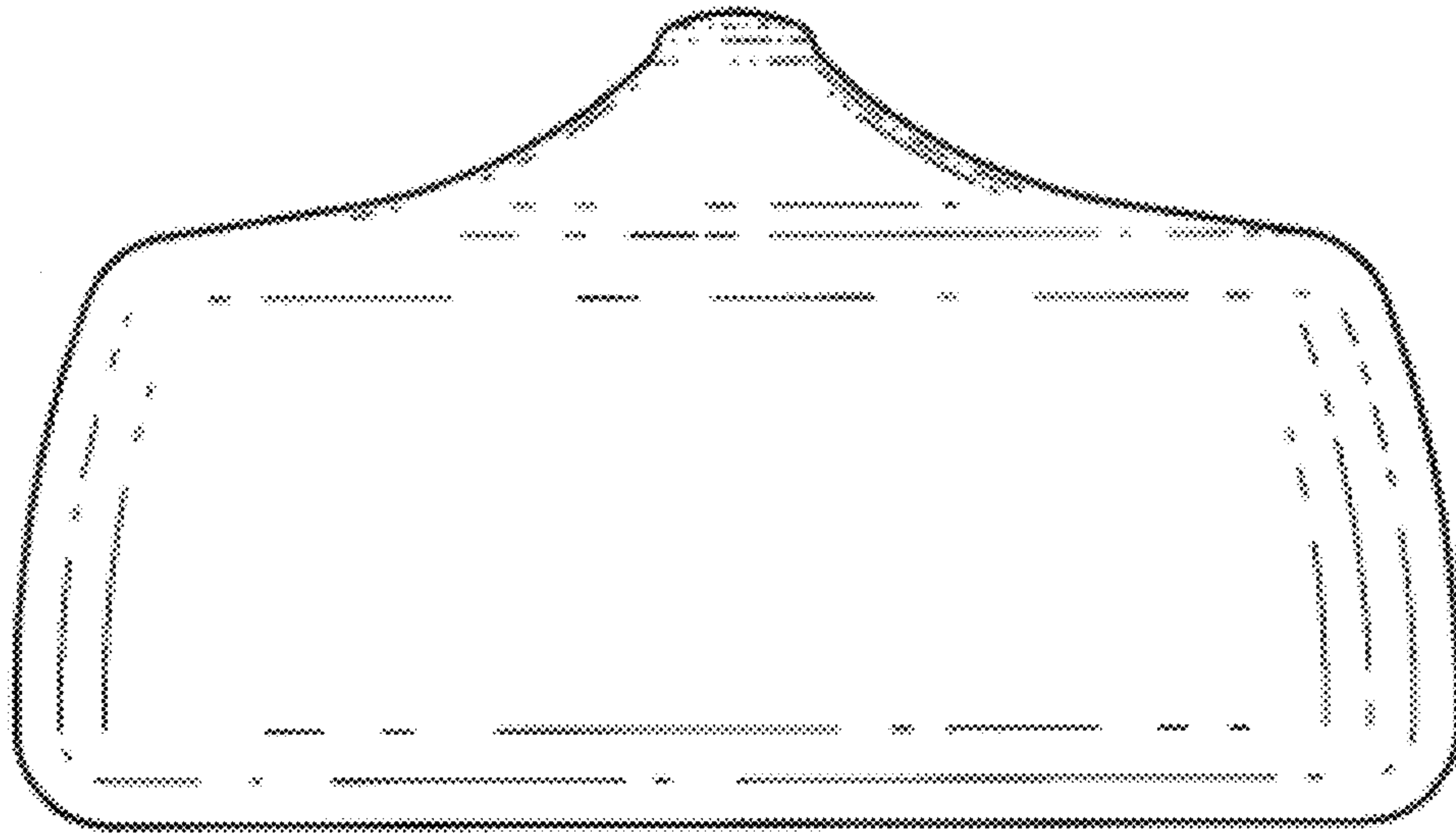


FIG. 2

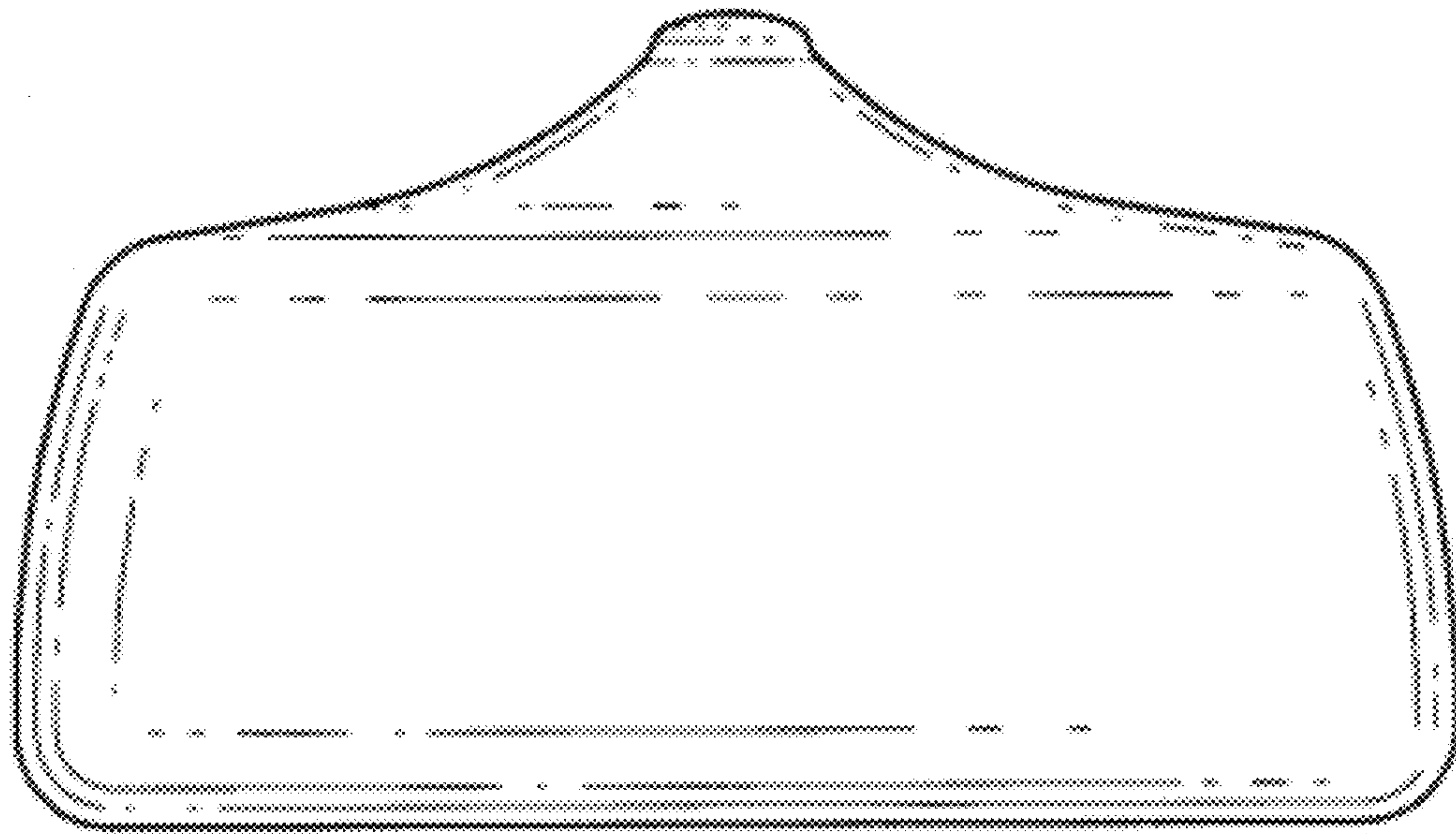


FIG. 3

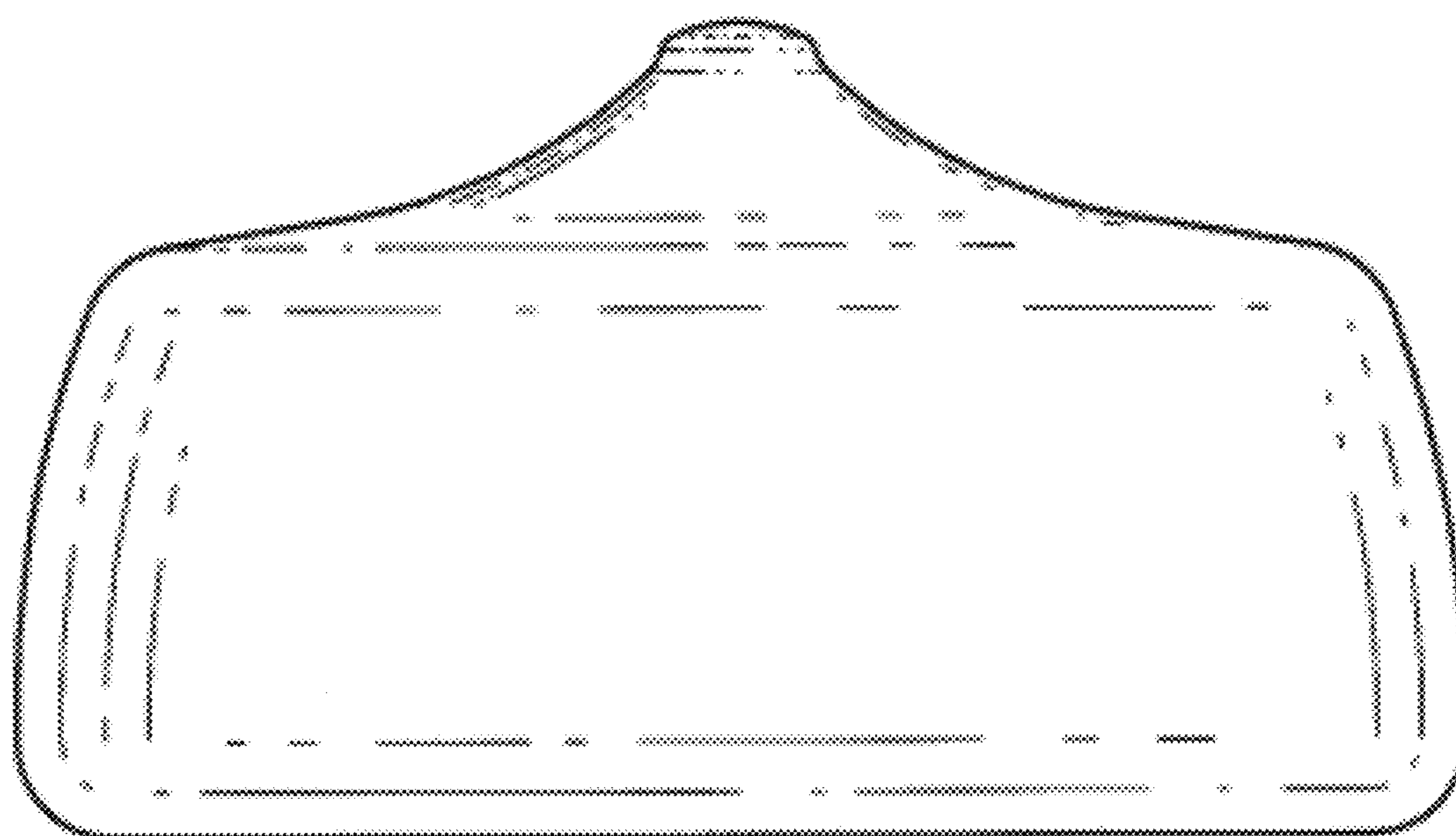


FIG. 4

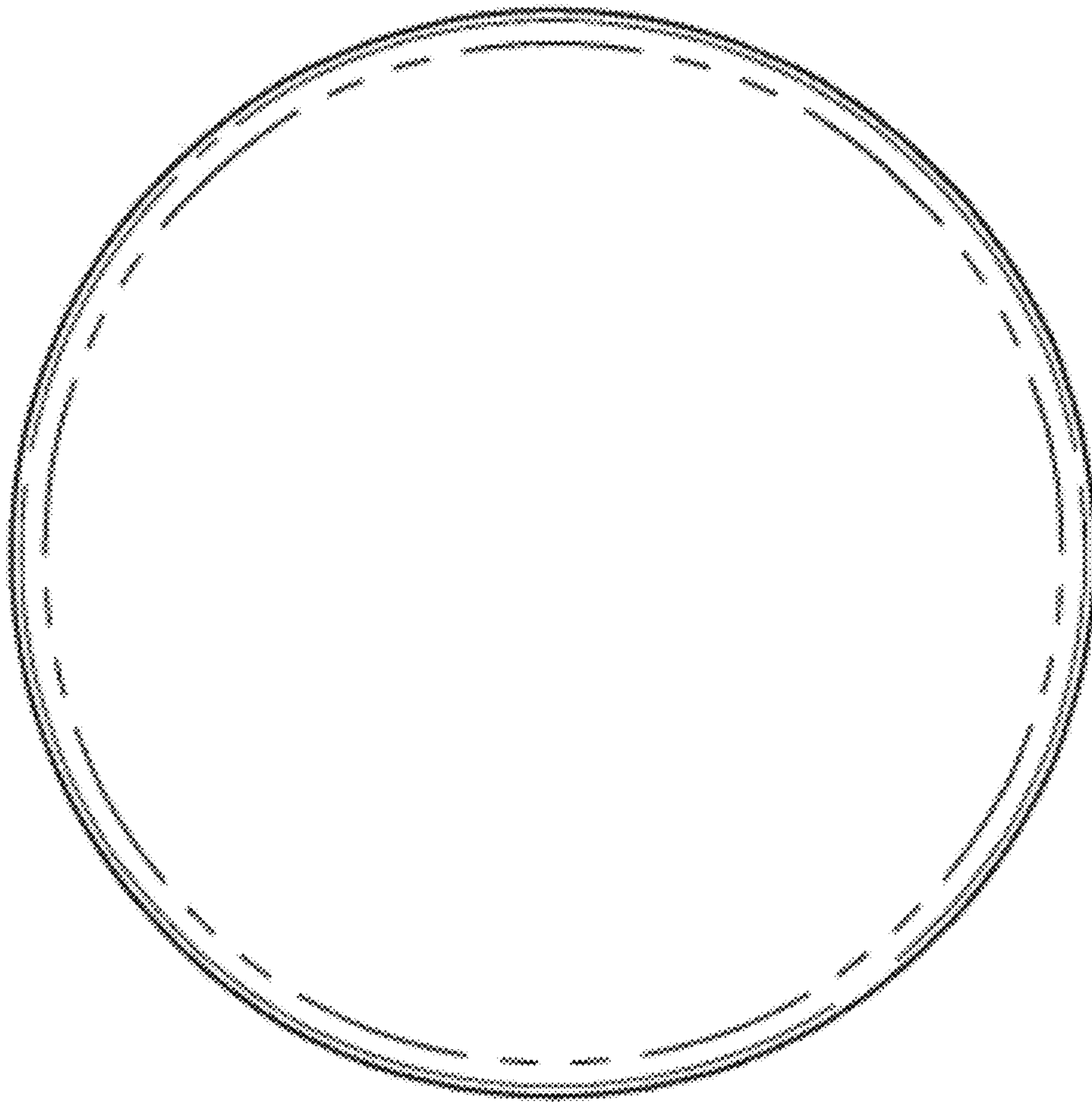


FIG. 5

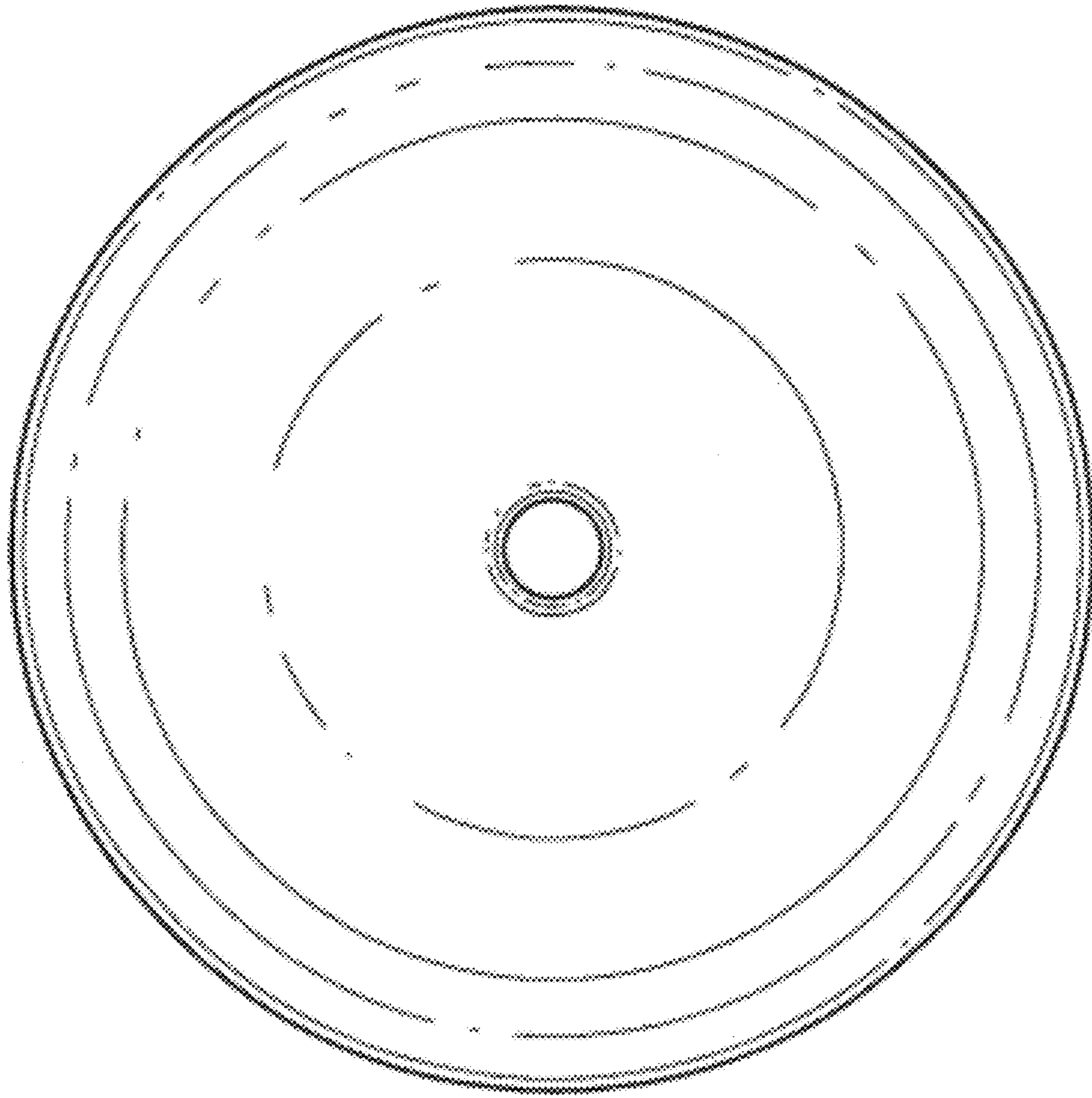


FIG. 6

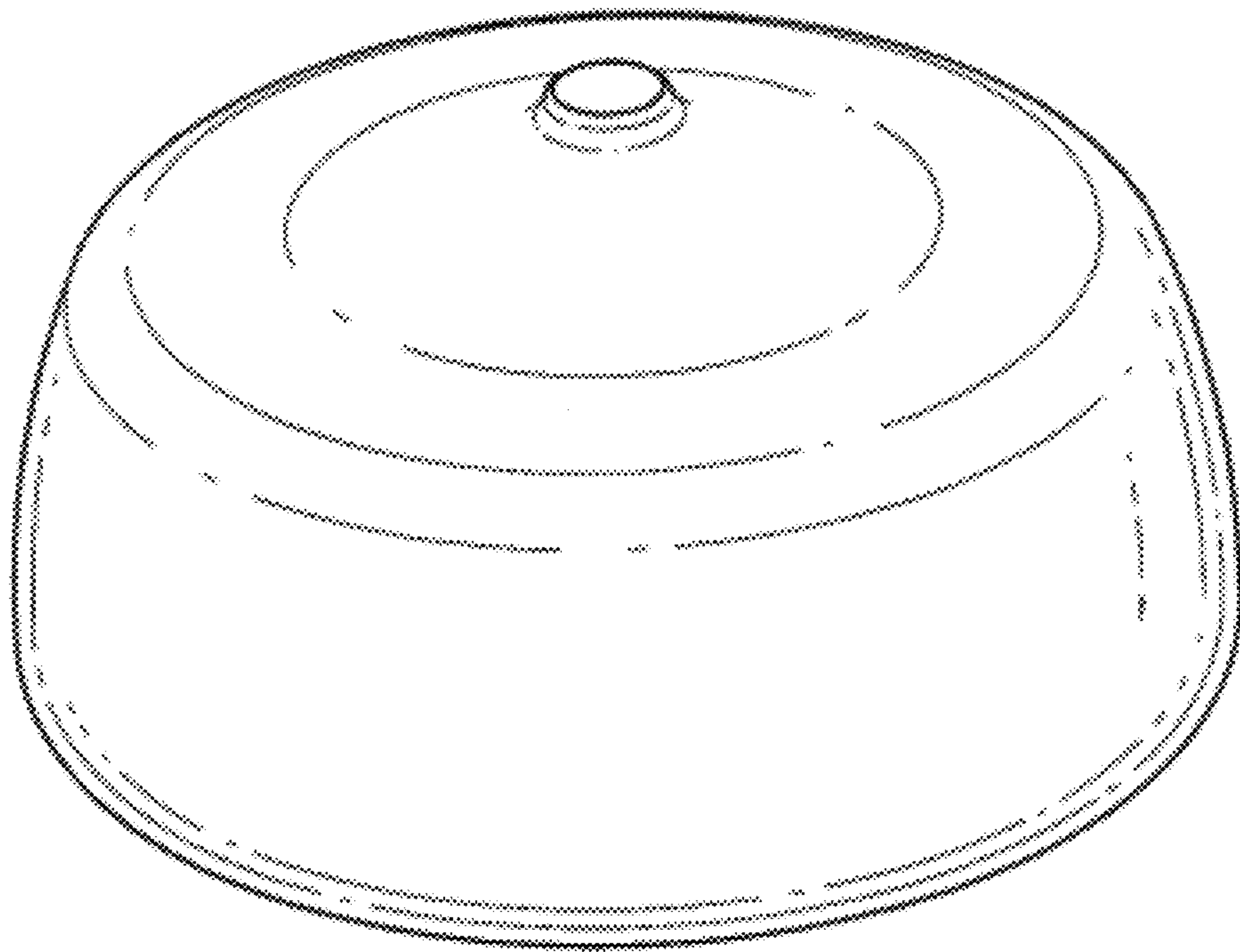


FIG. 7