



US00D660132S

(12) **United States Design Patent**  
**Yoder et al.**

(10) **Patent No.:** **US D660,132 S**  
(45) **Date of Patent:** **\*\* May 22, 2012**

(54) **FRAME CONNECTING BRACKET FOR A MODULAR BUILDING**

(75) Inventors: **Steven M. Yoder**, Shawnee, KS (US);  
**Frank Robert Dellaguzzo**, Overland Park, KS (US)

(73) Assignee: **Performance Contracting, Inc.**, Lenexa, KS (US)

(\*\*) Term: **14 Years**

(21) Appl. No.: **29/390,568**

(22) Filed: **Apr. 27, 2011**

(51) **LOC (9) Cl.** ..... **08-05**

(52) **U.S. Cl.** ..... **D8/354**

(58) **Field of Classification Search** ..... D8/354;  
52/24, 26, 410, 283, 715, 745.1, 96, 92.1,  
52/90.1; 248/237

See application file for complete search history.

(56) **References Cited**

U.S. PATENT DOCUMENTS

1,532,695	A *	4/1925	Harting et al.	52/262
4,120,122	A *	10/1978	Bahr	52/58
5,425,207	A *	6/1995	Shayman	52/79.9
5,437,132	A *	8/1995	Meyers	52/410

(Continued)

*Primary Examiner* — Doris Clark

(74) *Attorney, Agent, or Firm* — Womble Carlyle Sandridge & Rice, LLP

(57) **CLAIM**

The ornamental design for a frame connecting bracket for a modular building, as shown and described.

**DESCRIPTION**

FIG. 1 is a perspective view of a frame connecting bracket for a modular building showing our new design, according to a first embodiment.

FIG. 2 is a front view of the bracket of FIG. 1.

FIG. 3 is a rear view of the bracket of FIG. 1.

FIG. 4 is a left side view of the bracket of FIG. 1.

FIG. 5 is a right side view of the bracket of FIG. 1.

FIG. 6 is a top view of the bracket of FIG. 1.

FIG. 7 is a bottom view of the bracket of FIG. 1.

FIG. 8 is a perspective view of a frame connecting bracket for a modular building showing our new design, according to a second embodiment.

FIG. 9 is a front view of the bracket of FIG. 8.

FIG. 10 is a rear view of the bracket of FIG. 8.

FIG. 11 is a left side view of the bracket of FIG. 8.

FIG. 12 is a right side view of the bracket of FIG. 8.

FIG. 13 is a top view of the bracket of FIG. 8.

FIG. 14 is a bottom view of the bracket of FIG. 8.

FIG. 15 is a perspective view of a frame connecting bracket for a modular building showing our new design, according to a third embodiment.

FIG. 16 is a front view of the bracket of FIG. 15.

FIG. 17 is a rear view of the bracket of FIG. 15.

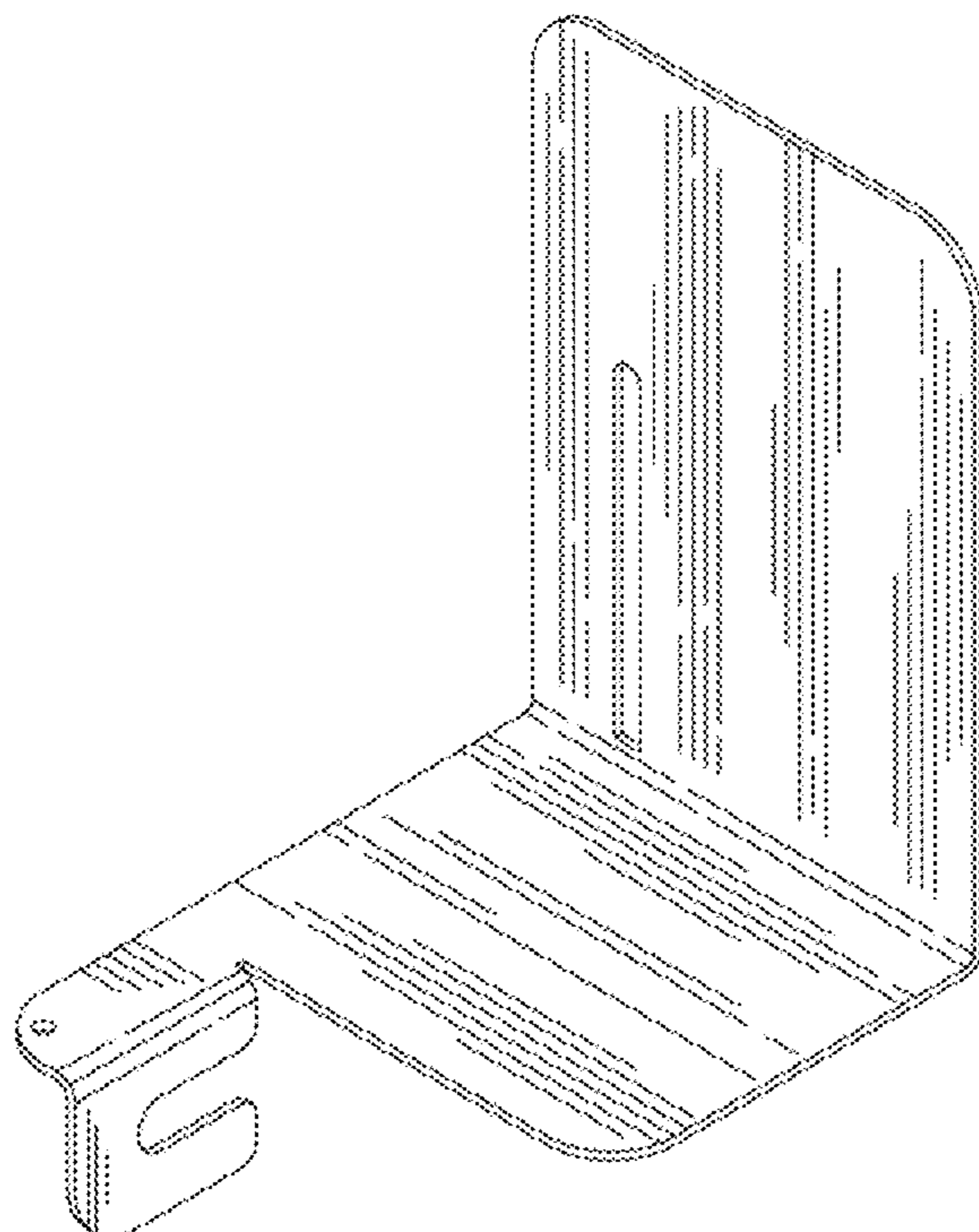
FIG. 18 is a left side view of the bracket of FIG. 15.

FIG. 19 is a right side view of the bracket of FIG. 15.

FIG. 20 is a top view of the bracket of FIG. 15; and,

FIG. 21 is a bottom view of the bracket of FIG. 15.

**1 Claim, 12 Drawing Sheets**





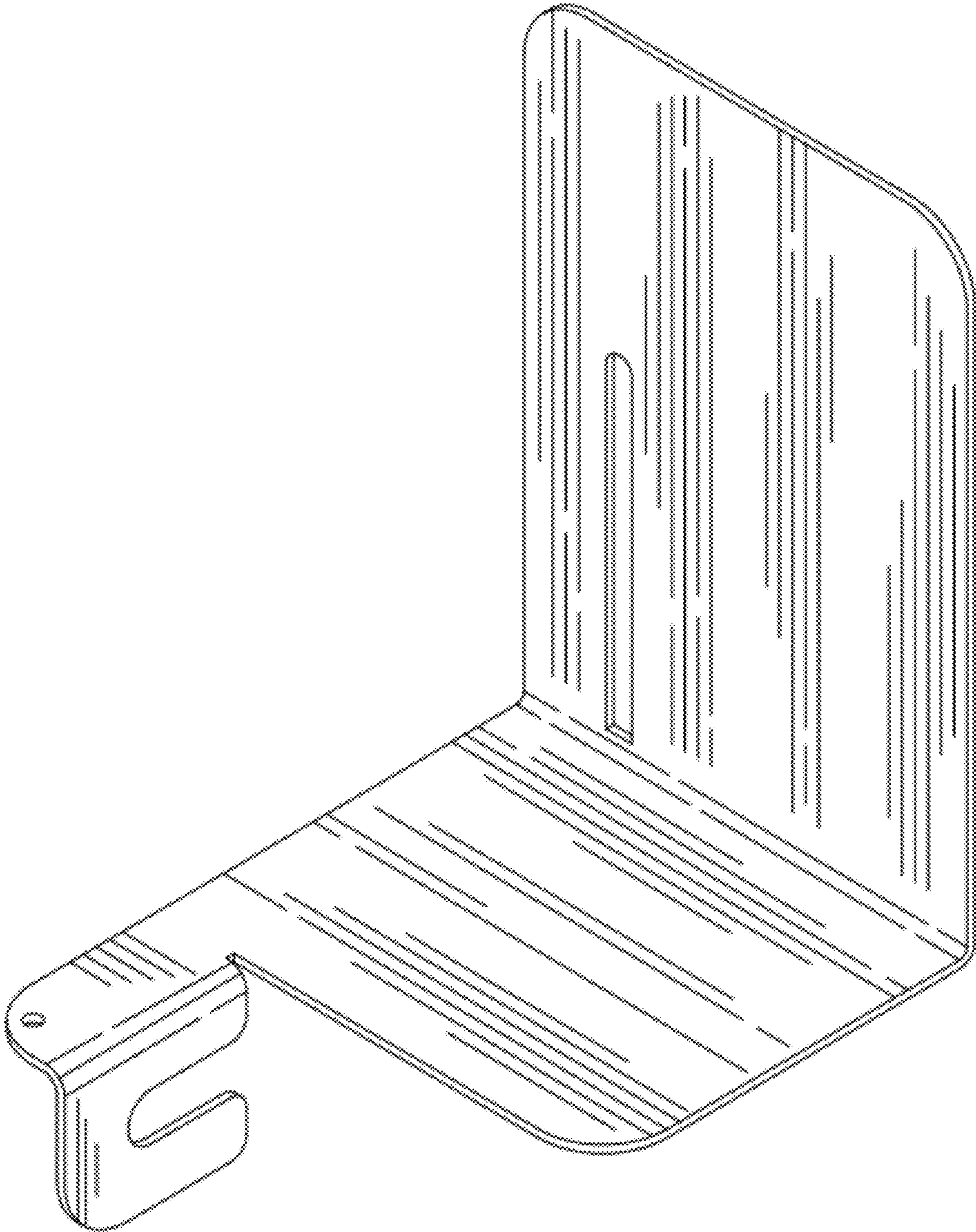


FIG. 1



Fig. 3

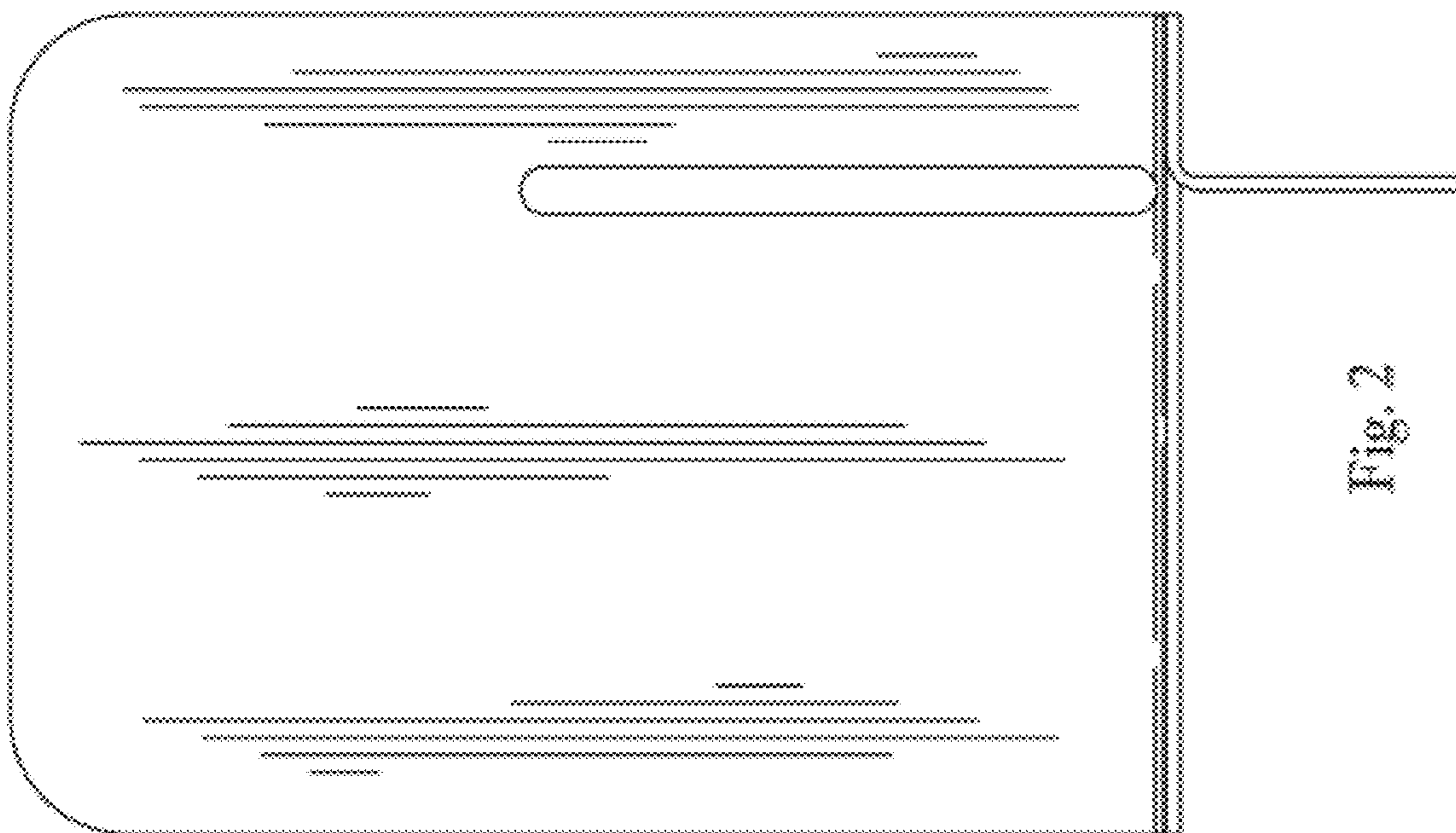


Fig. 2

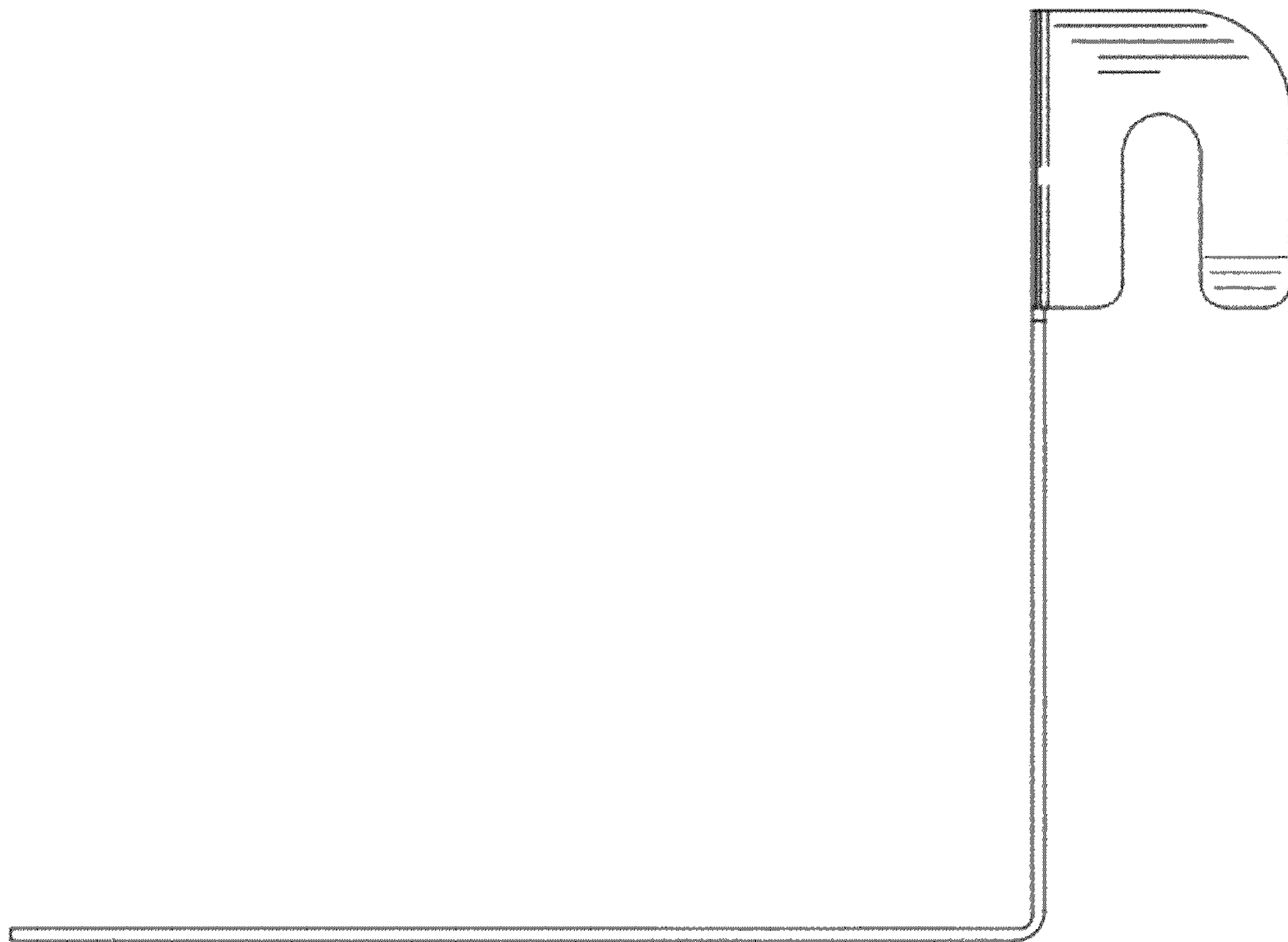


Fig. 5

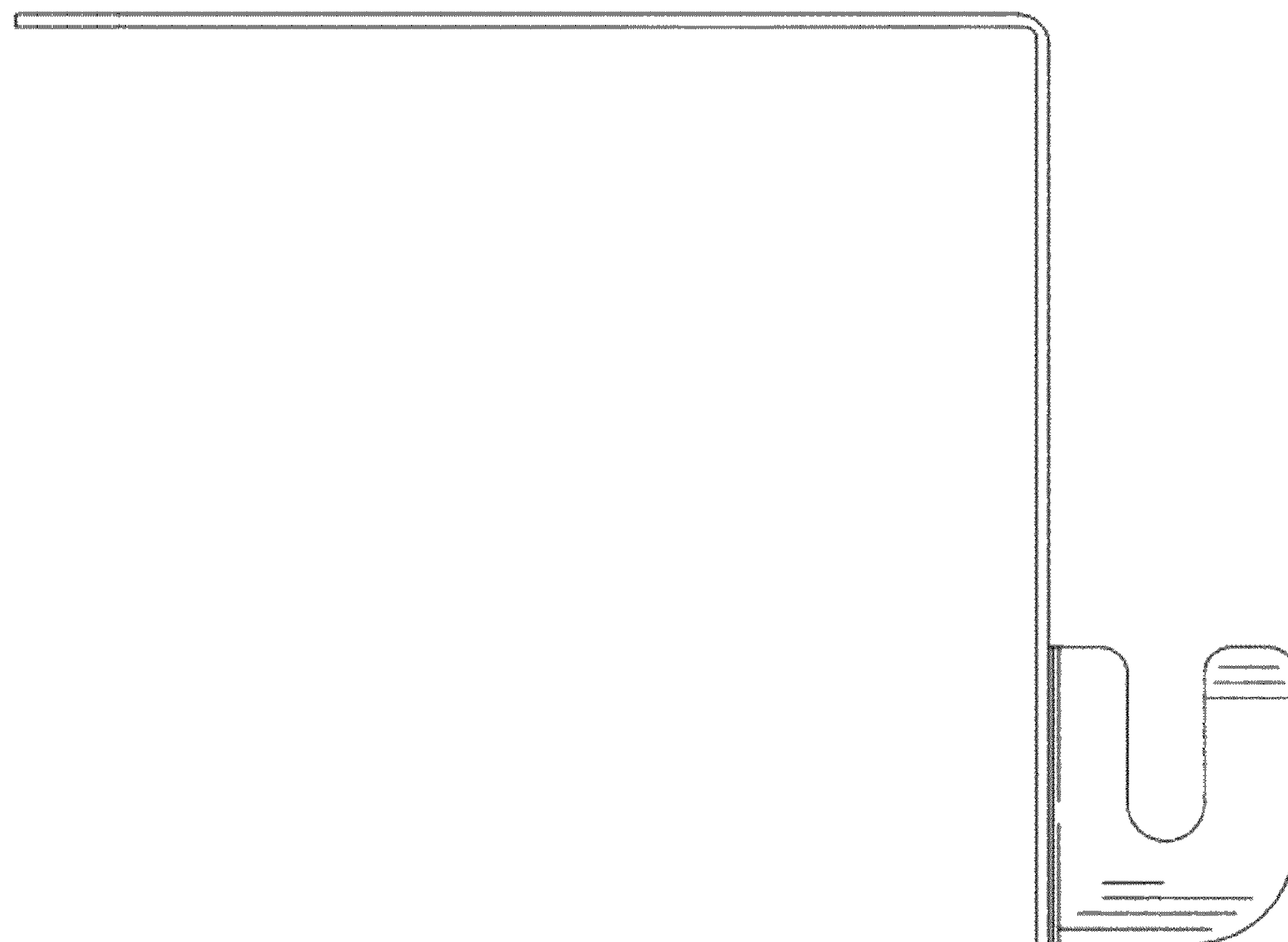


Fig. 4

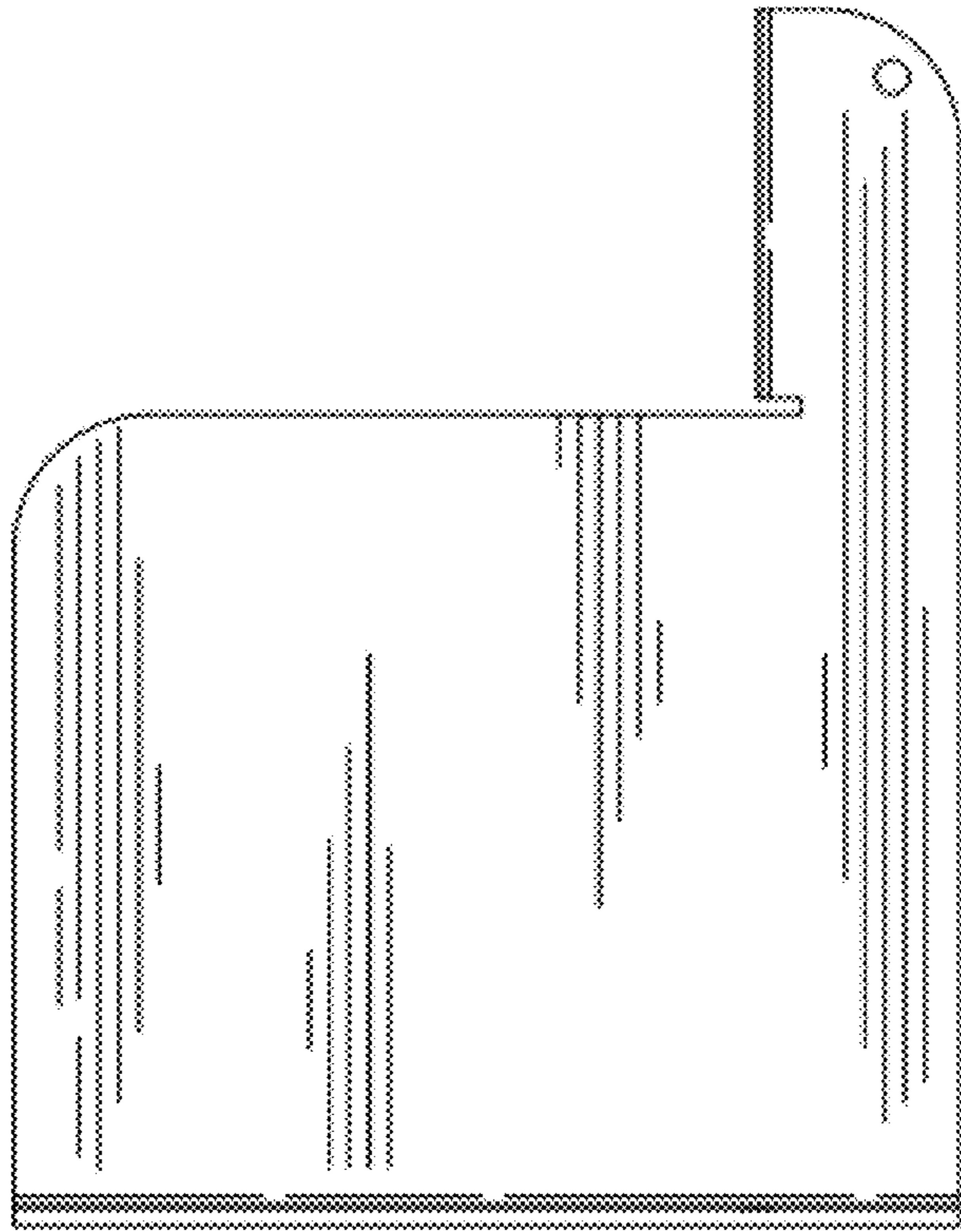


Fig. 6

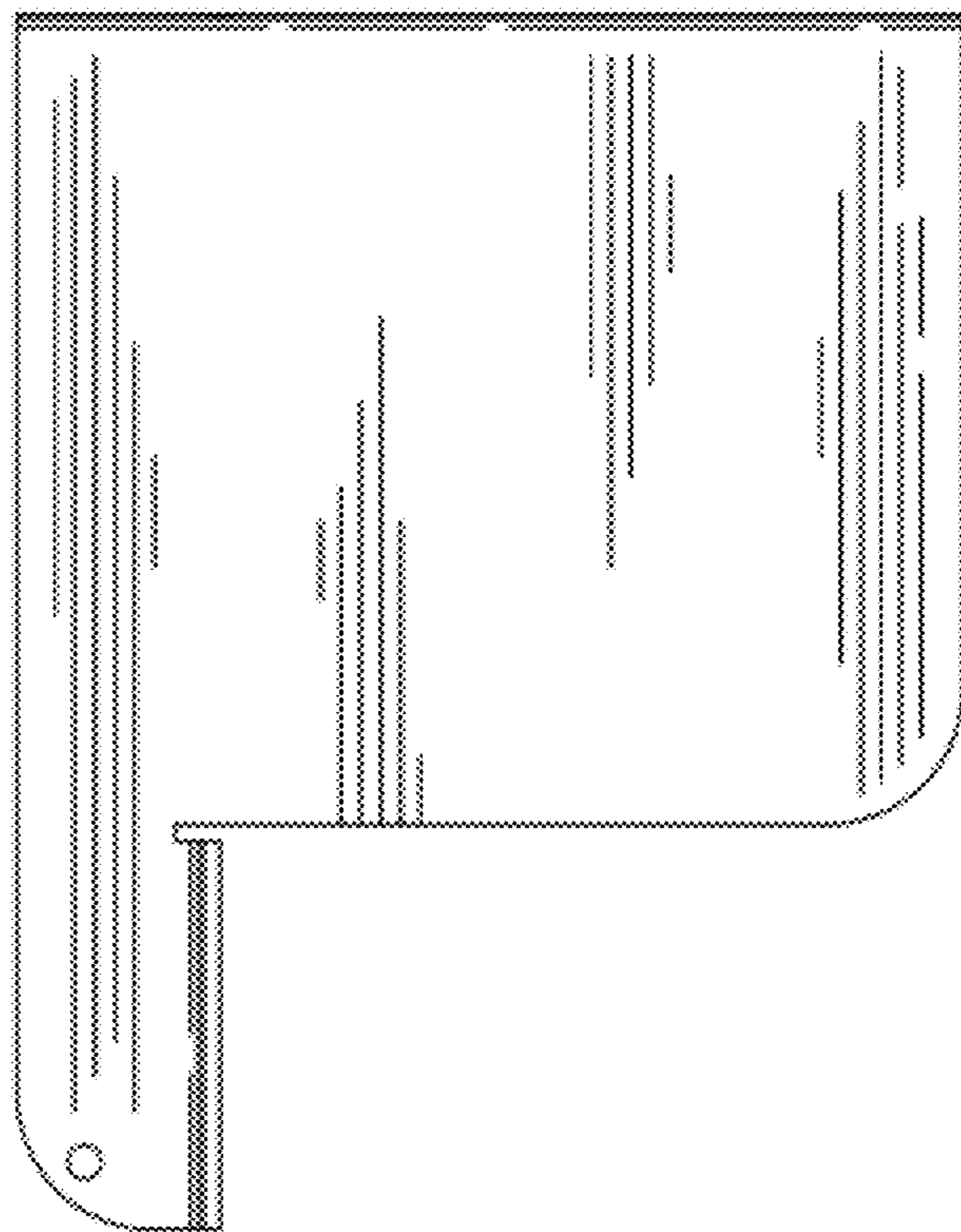


Fig. 7

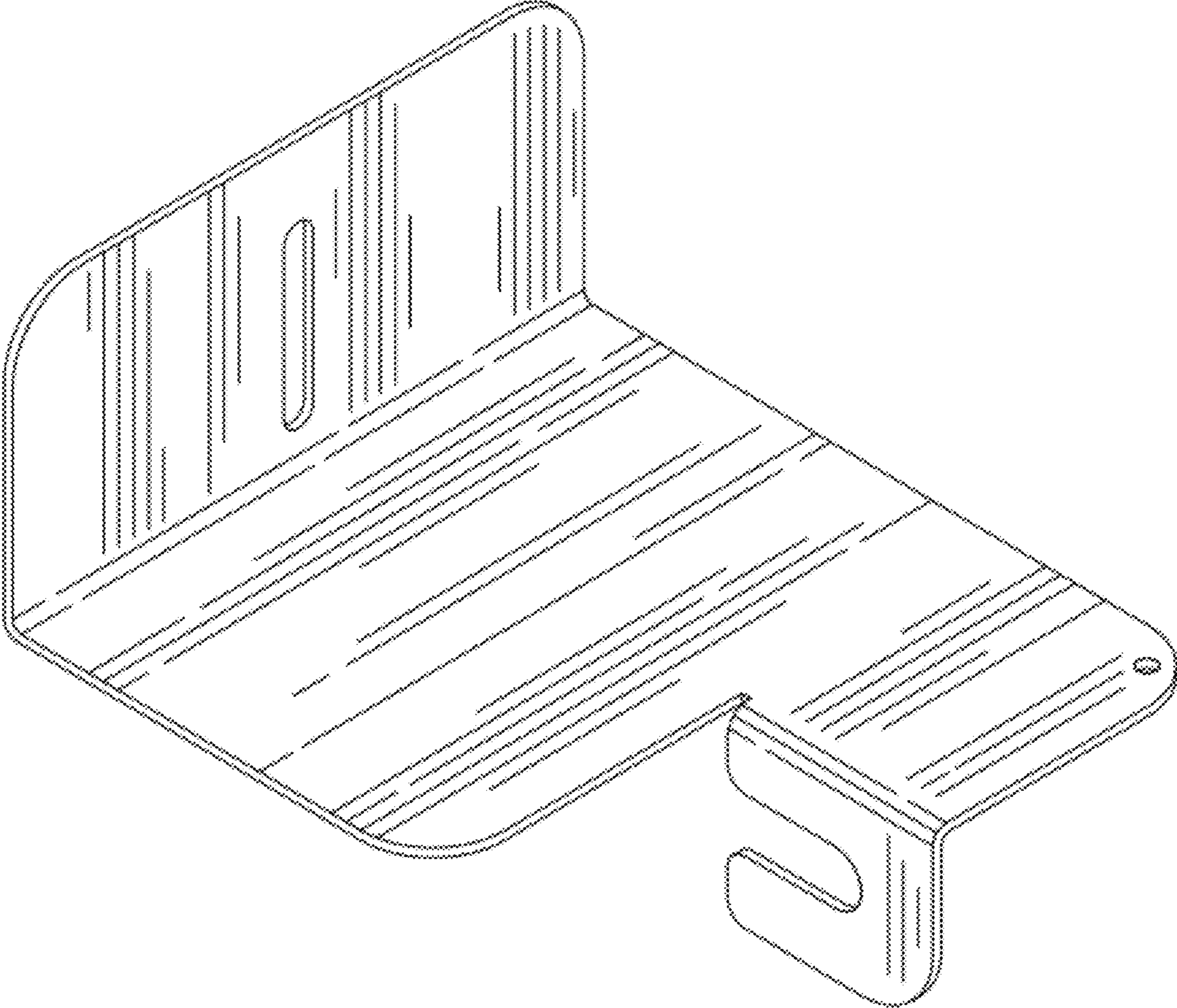


FIG. 8

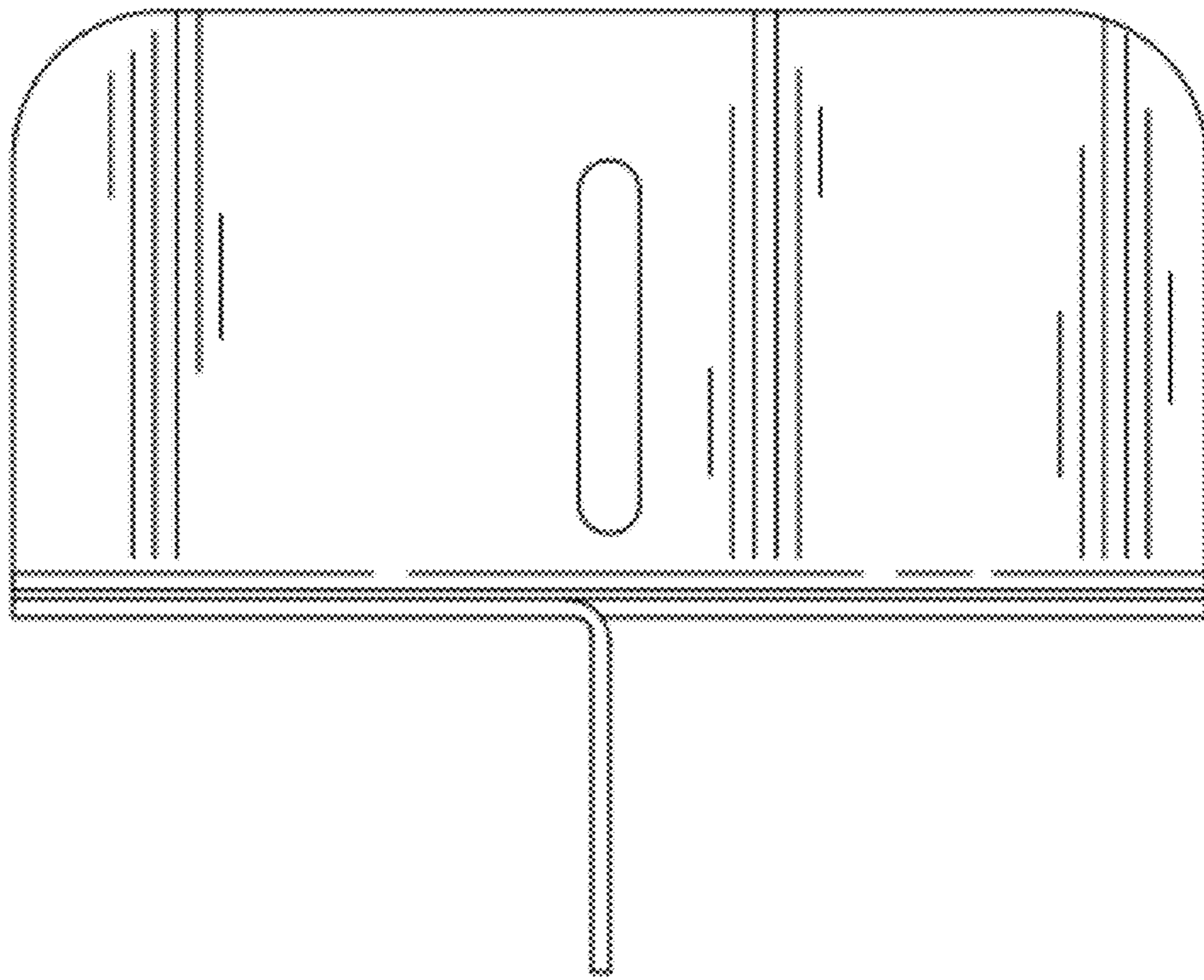


FIG. 9

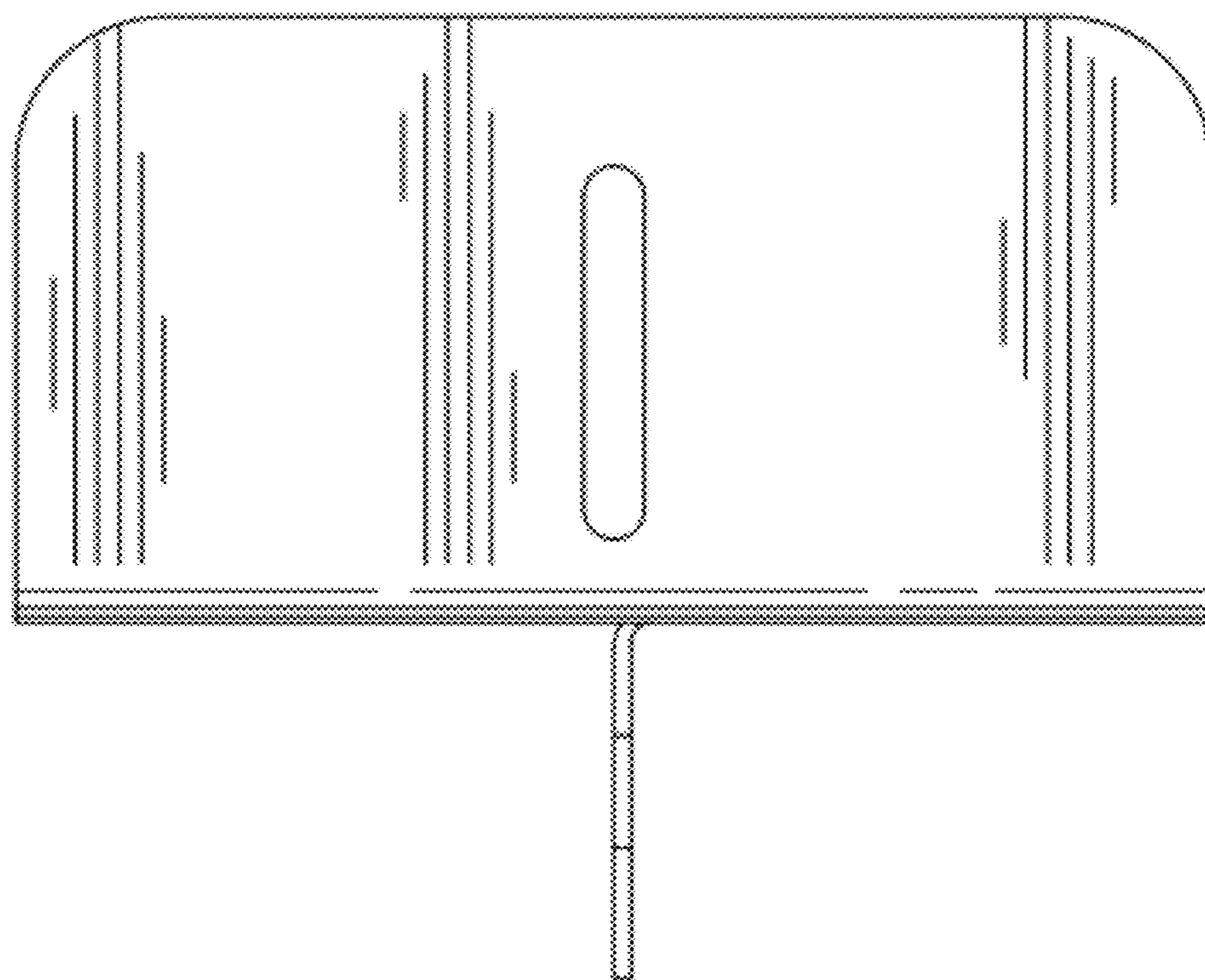


FIG. 10



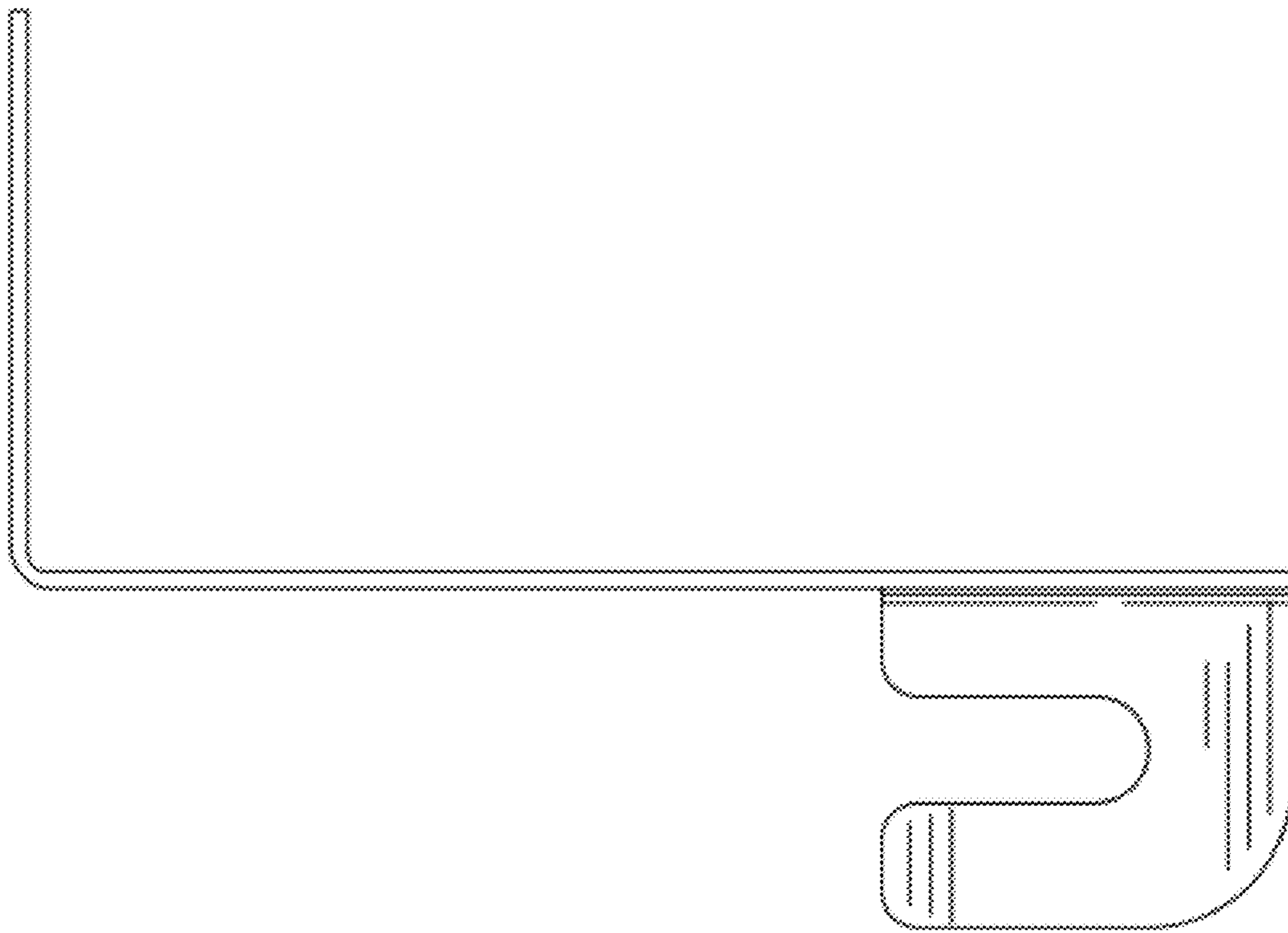


FIG. 11

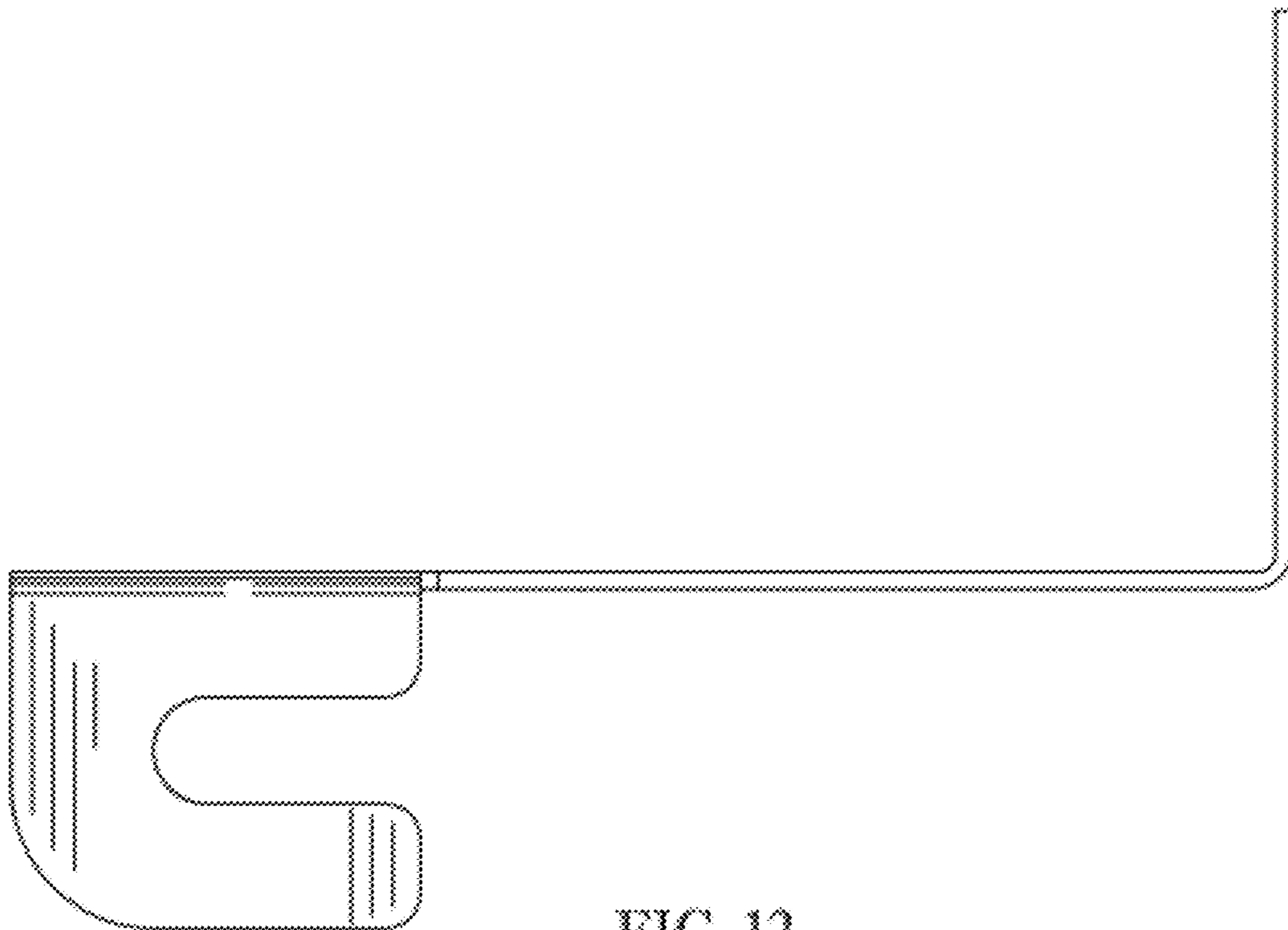


FIG. 12

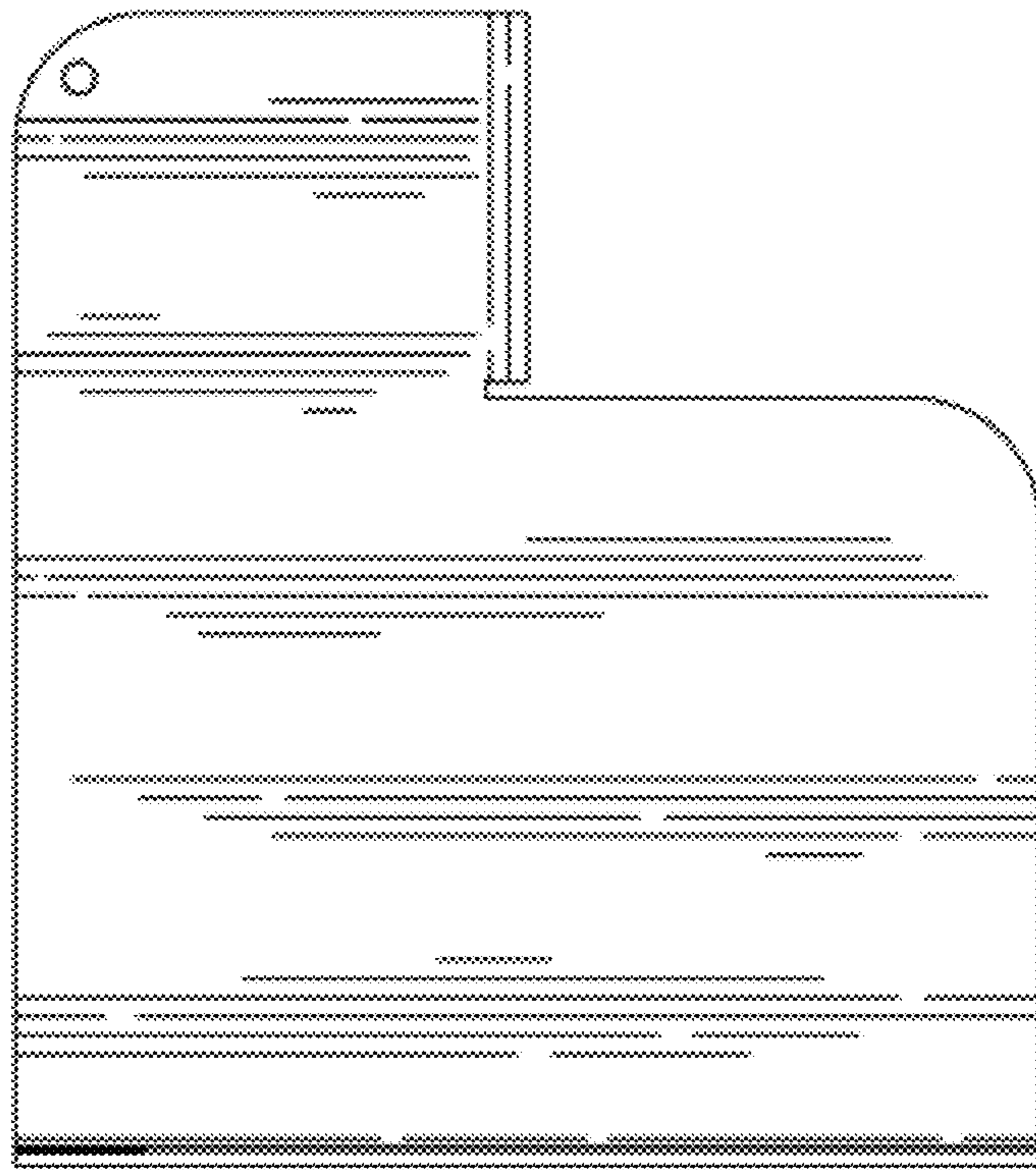


FIG. 13

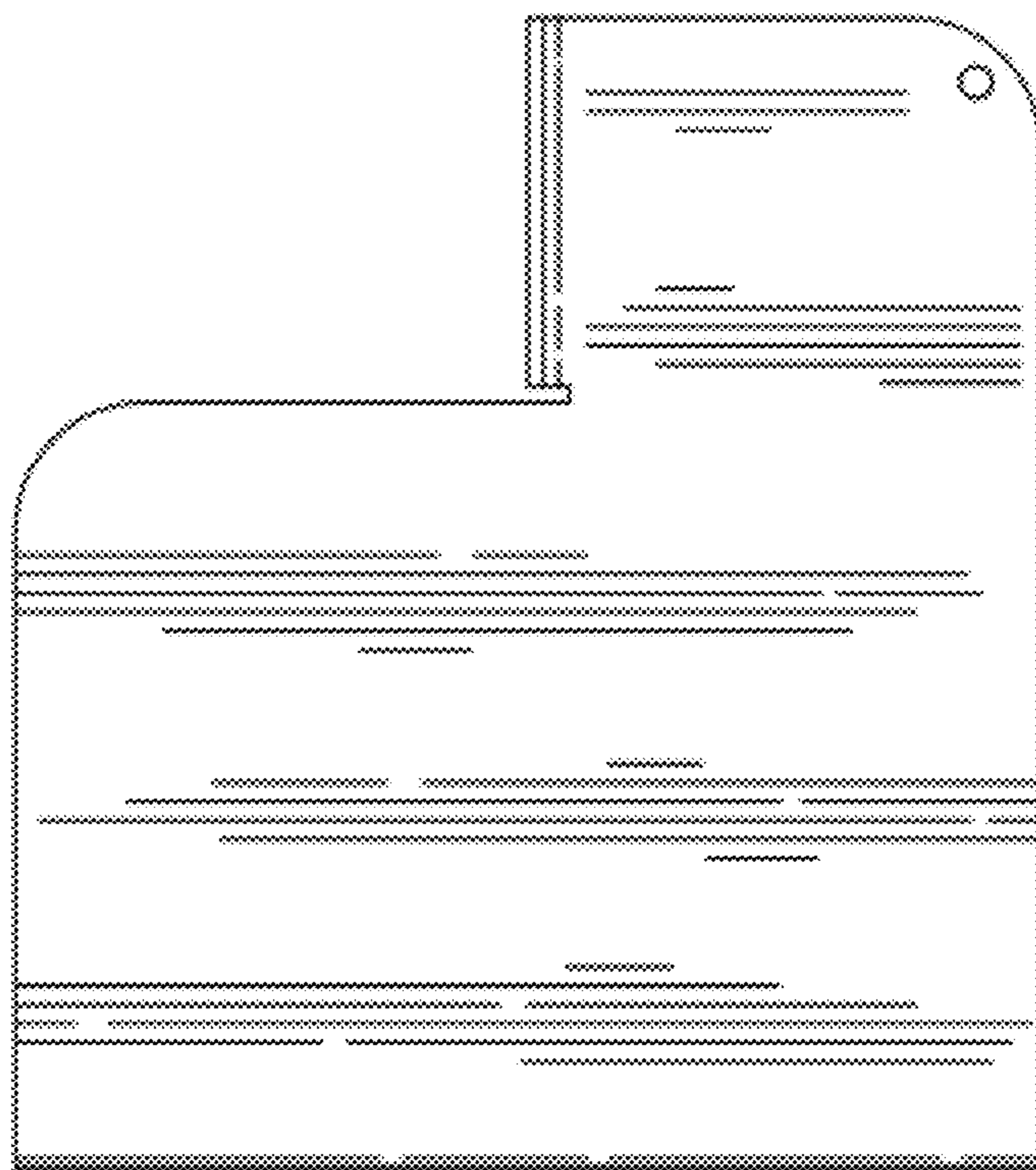


FIG. 14

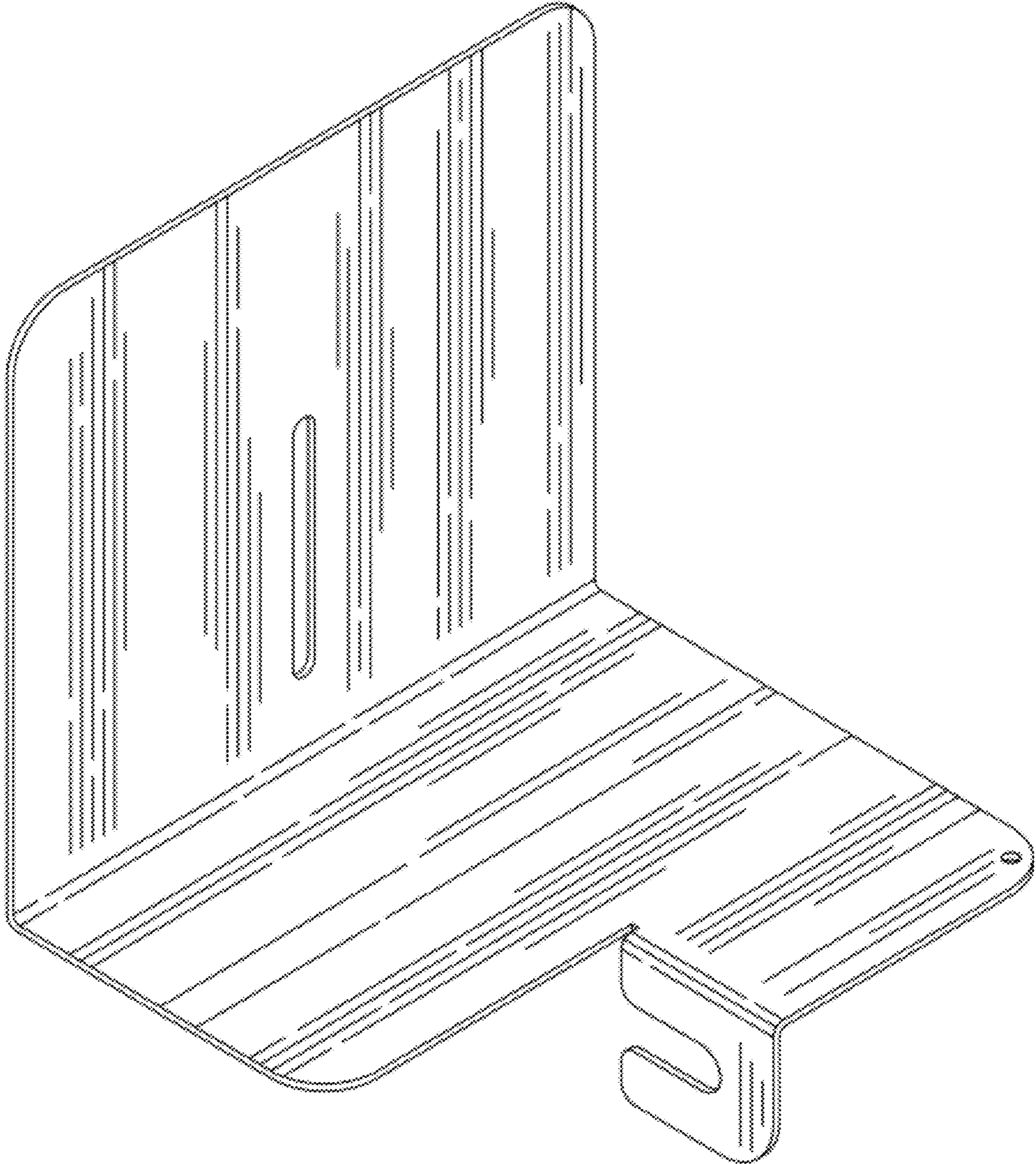


FIG. 15

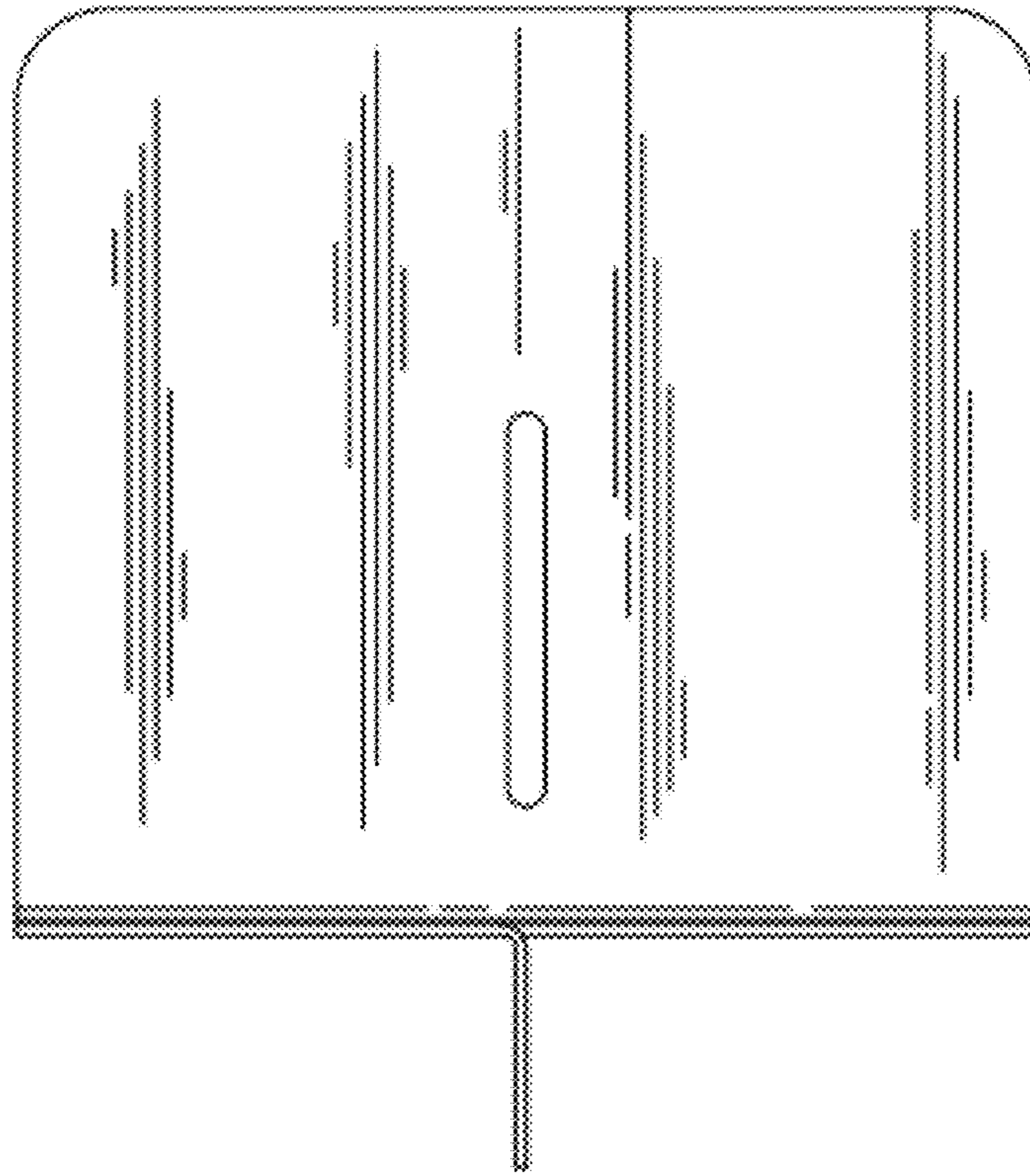


FIG. 16

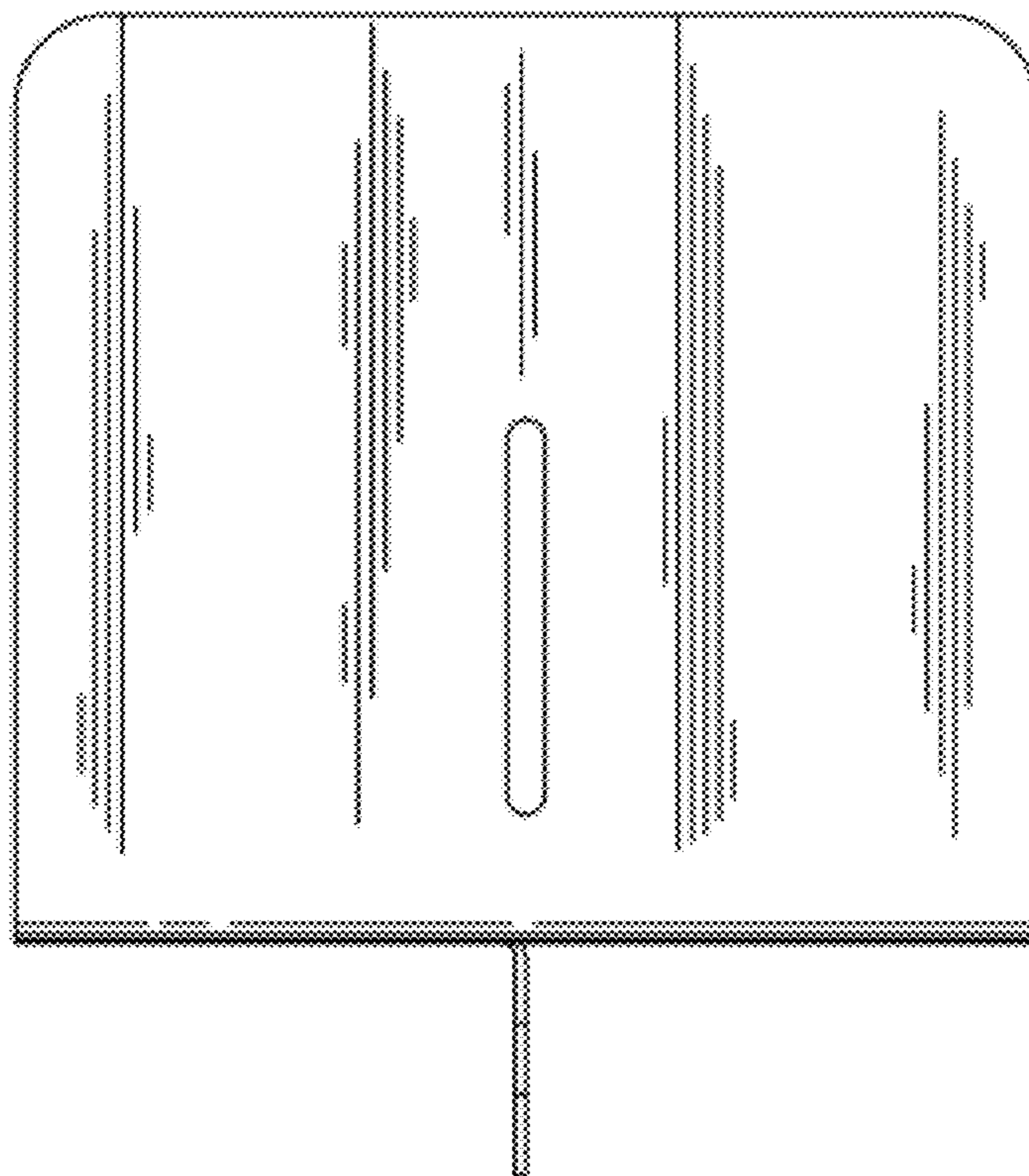


FIG. 17

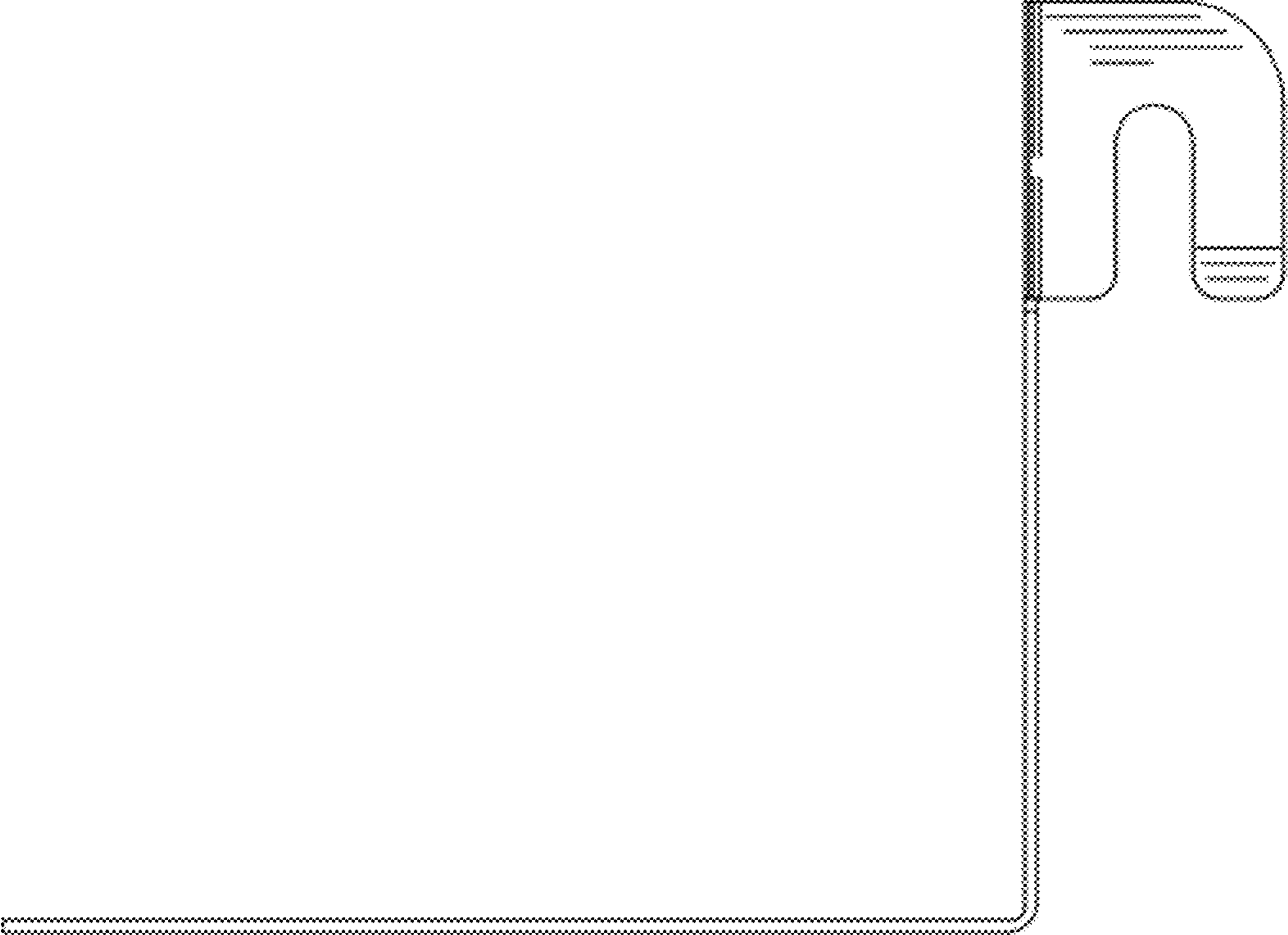


FIG. 18



FIG. 19



FIG. 20

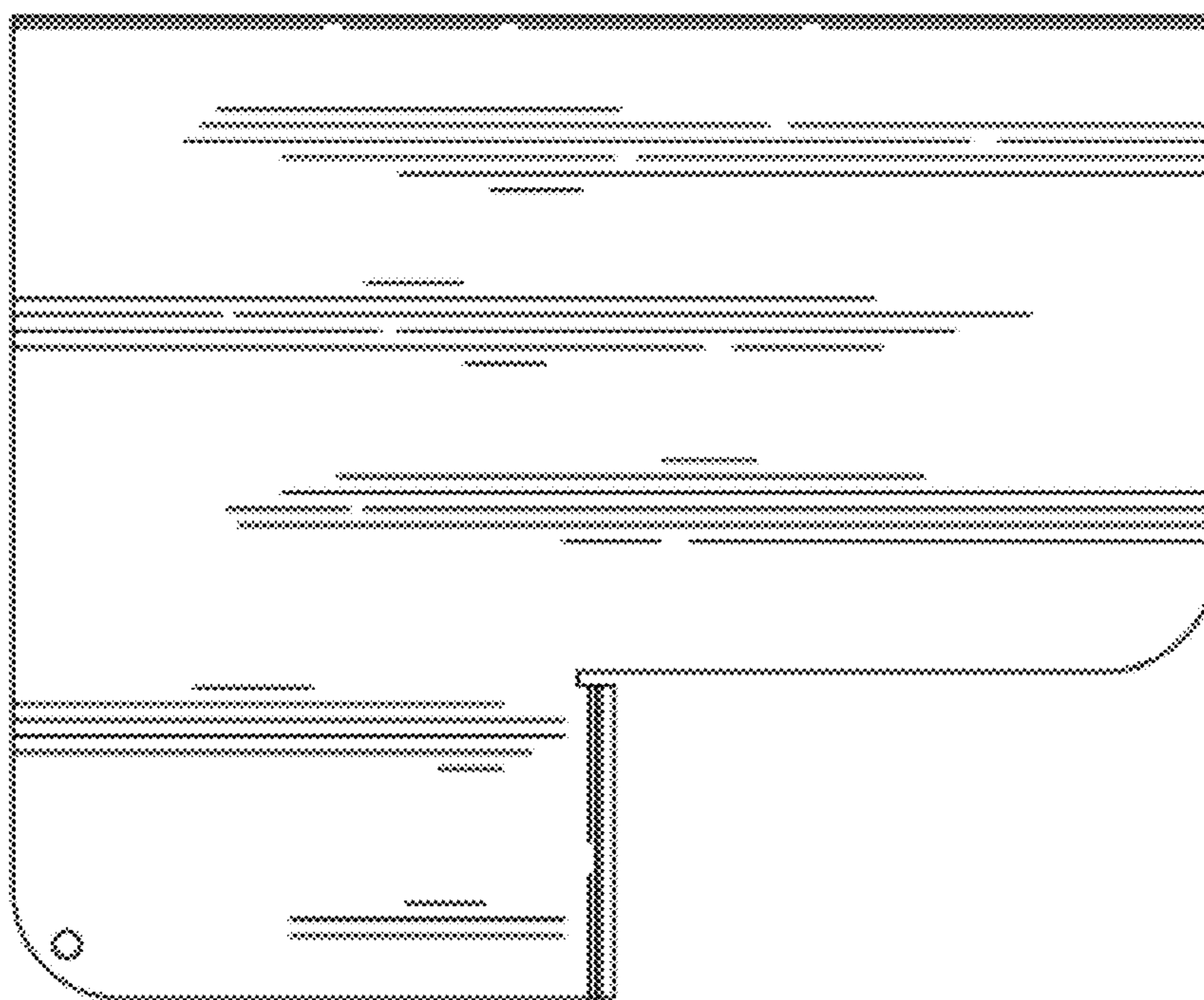


FIG. 21