

US00D660131S

(12) **United States Design Patent**
Tailor et al.

(10) **Patent No.:** **US D660,131 S**
(45) **Date of Patent:** **** May 22, 2012**

(54) **WALLPLATE ASSEMBLY**

(75) Inventors: **Sunita S. Tailor**, Parsippany, NJ (US);
Sabina Szymanska, Saddle River, NJ
(US)

(73) Assignee: **American Tack & Hardware Co., Inc.**,
Saddle River, NJ (US)

(**) Term: **14 Years**

(21) Appl. No.: **29/394,446**

(22) Filed: **Jun. 16, 2011**

(51) **LOC (9) Cl.** **11-05**

(52) **U.S. Cl.** **D8/353**

(58) **Field of Classification Search** D8/350-353;
D13/139.1-139.8, 146, 147, 152, 154, 156,
D13/158, 169, 171, 173, 177, 184; D14/159;
D25/60; 174/55, 58, 66, 67, 535; 220/241,
220/3.92, 3.5-3.9, 242, 3.2, 3.3, 244, 315;
439/535, 536, 892, 367, 373, 537, 541, 938;
200/303; 248/273; 292/357

See application file for complete search history.

(56) **References Cited**

U.S. PATENT DOCUMENTS

D327,212	S	*	6/1992	Hubben et al.	D8/353
5,180,886	A	*	1/1993	Dierenbach et al.	174/66
D335,282	S	*	5/1993	Jurell et al.	D13/170
D335,867	S	*	5/1993	Rowen	D13/171
D351,099	S	*	10/1994	Flasz	D8/353
D387,267	S	*	12/1997	Brown	D8/353
5,696,350	A	*	12/1997	Anker	174/66
5,723,817	A	*	3/1998	Arenas et al.	174/66
5,727,958	A	*	3/1998	Chen	439/136
D399,495	S	*	10/1998	Bachschnid	D13/177
5,895,888	A	*	4/1999	Arenas et al.	174/66
D427,887	S	*	7/2000	Leopold et al.	D8/353
D430,478	S	*	9/2000	Debrey et al.	D8/353
D477,578	S	*	7/2003	Mayo et al.	D13/171
D478,054	S	*	8/2003	Mayo et al.	D13/171
D479,207	S	*	9/2003	Mayo et al.	D13/171
D479,682	S	*	9/2003	Frolov et al.	D8/331
D481,365	S	*	10/2003	Mayo et al.	D13/171
D482,661	S	*	11/2003	Shotey et al.	D13/156

D484,392	S	*	12/2003	Mayo et al.	D8/353
D493,695	S	*	8/2004	Wengrower	D8/353
6,943,297	B2	*	9/2005	Capella	174/66

(Continued)

Primary Examiner — Mark Goodwin

(74) *Attorney, Agent, or Firm* — Hedman & Costigan, P.C.;
Kathleen A. Costigan

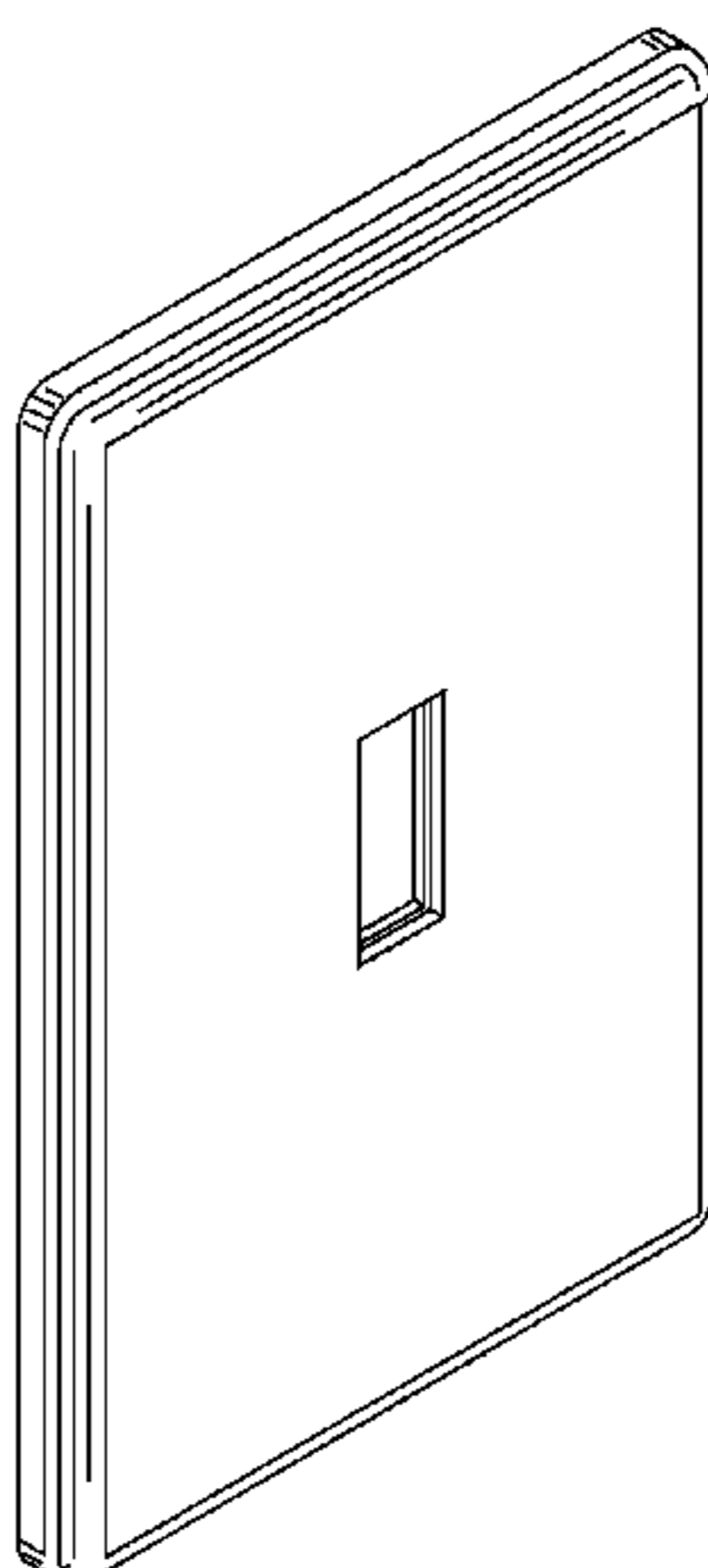
(57) **CLAIM**

The ornamental design for a wallplate assembly, as shown and described.

DESCRIPTION

FIG. 1 is a front perspective view of a wallplate assembly showing our new design in assembled condition;
 FIG. 2 is a front elevational view thereof;
 FIG. 3 is a rear elevational view thereof;
 FIG. 4 is a left side elevational view thereof;
 FIG. 5 is a right side elevational view thereof;
 FIG. 6 is a top plan view thereof;
 FIG. 7 is a bottom plan view thereof;
 FIG. 8 is a front perspective view of the front plate portion of a wallplate assembly shown in FIGS. 1-7;
 FIG. 9 is a front elevational view thereof;
 FIG. 10 is a rear elevational view thereof;
 FIG. 11 is a left side elevational view thereof;
 FIG. 12 is a right side elevational view thereof;
 FIG. 13 is a top plan view thereof;
 FIG. 14 is a bottom plan view thereof;
 FIG. 15 is a front perspective view of the back plate portion of a wallplate assembly shown in FIGS. 1-7;
 FIG. 16 is a front elevational view thereof;
 FIG. 17 is a rear elevational view thereof;
 FIG. 18 is a left side elevational view thereof;
 FIG. 19 is a right side elevational view thereof;
 FIG. 20 is a top plan view thereof;
 FIG. 21 is a bottom plan view thereof;
 FIG. 22 is a back perspective view of the back plate portion of the wallplate assembly shown in FIGS. 1-7;
 FIG. 23 is an enlarged view of the portion of the claim shown in FIG. 22 labeled as Detail A;
 FIG. 24 is a back perspective view of the front plate portion of the wallplate assembly shown in FIGS. 1-7; and,
 FIG. 25 is an enlarged view of the portion of the claim shown in FIG. 24 labeled as Detail B.

1 Claim, 14 Drawing Sheets



US D660,131 S

Page 2

U.S. PATENT DOCUMENTS

6,974,910	B2 *	12/2005	Rohmer	174/66	D583,220	S *	12/2008	Ni	D8/353
D516,411	S *	3/2006	Millward et al.	D8/353	D596,925	S *	7/2009	Kidman	D8/353
D517,024	S *	3/2006	Fort et al.	D13/170	D599,189	S *	9/2009	Nunez et al.	D8/331
D520,355	S *	5/2006	Overthun et al.	D8/353	D609,994	S *	2/2010	Nunez et al.	D8/331
D550,076	S *	9/2007	Ni	D8/353	D617,173	S *	6/2010	Anzalone et al.	D8/353
D561,577	S *	2/2008	McConnell	D8/353	D637,474	S *	5/2011	Schneider et al.	D8/350
D568,717	S *	5/2008	Longo et al.	D8/341	7,947,903	B2 *	5/2011	Peck	174/66
D570,790	S *	6/2008	Egea Soler	D13/162	D639,637	S *	6/2011	Marrero	D8/353
D573,005	S *	7/2008	Huang	D8/353	D642,894	S *	8/2011	Soper et al.	D8/353
D581,369	S *	11/2008	Egea Soler	D13/162	D644,914	S *	9/2011	Hoffman et al.	D8/353

* cited by examiner

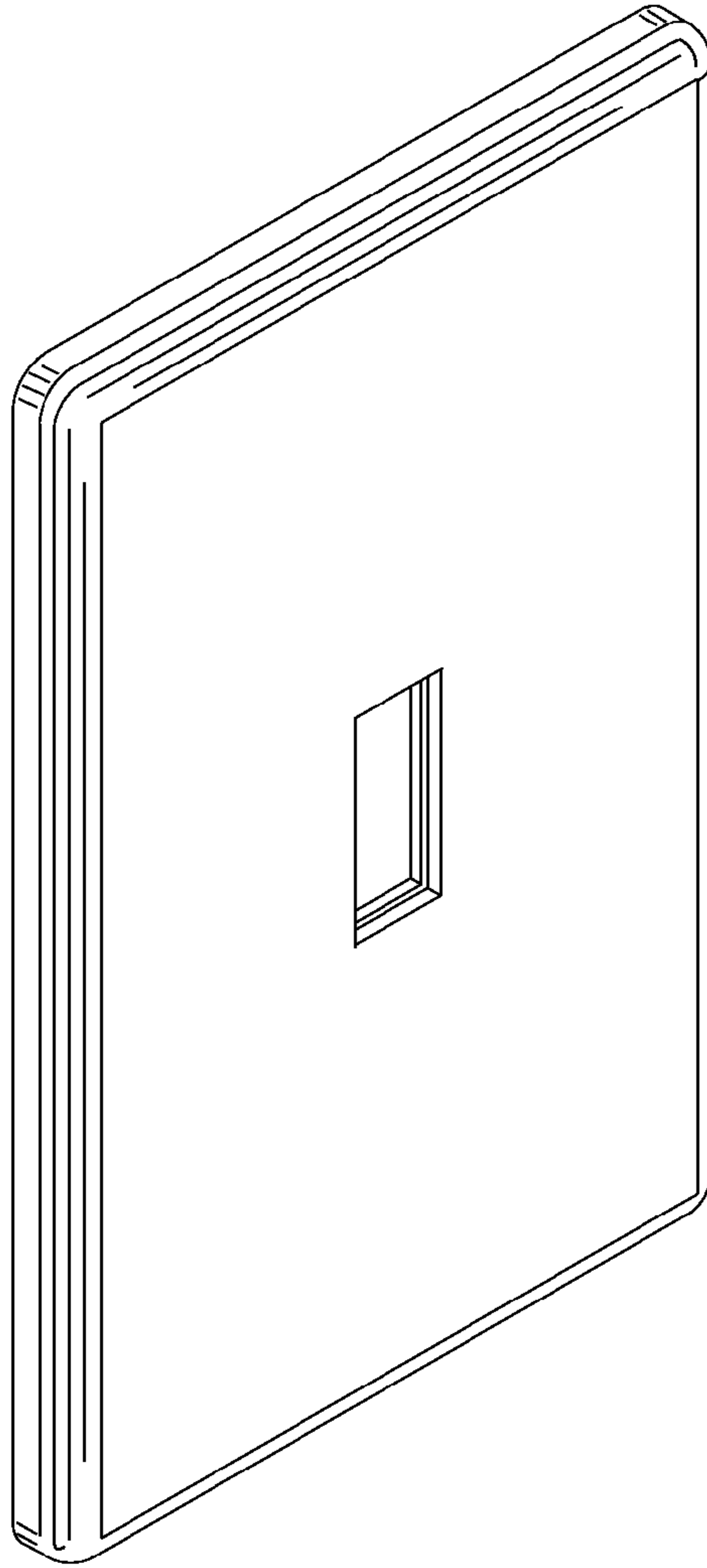


FIGURE 1

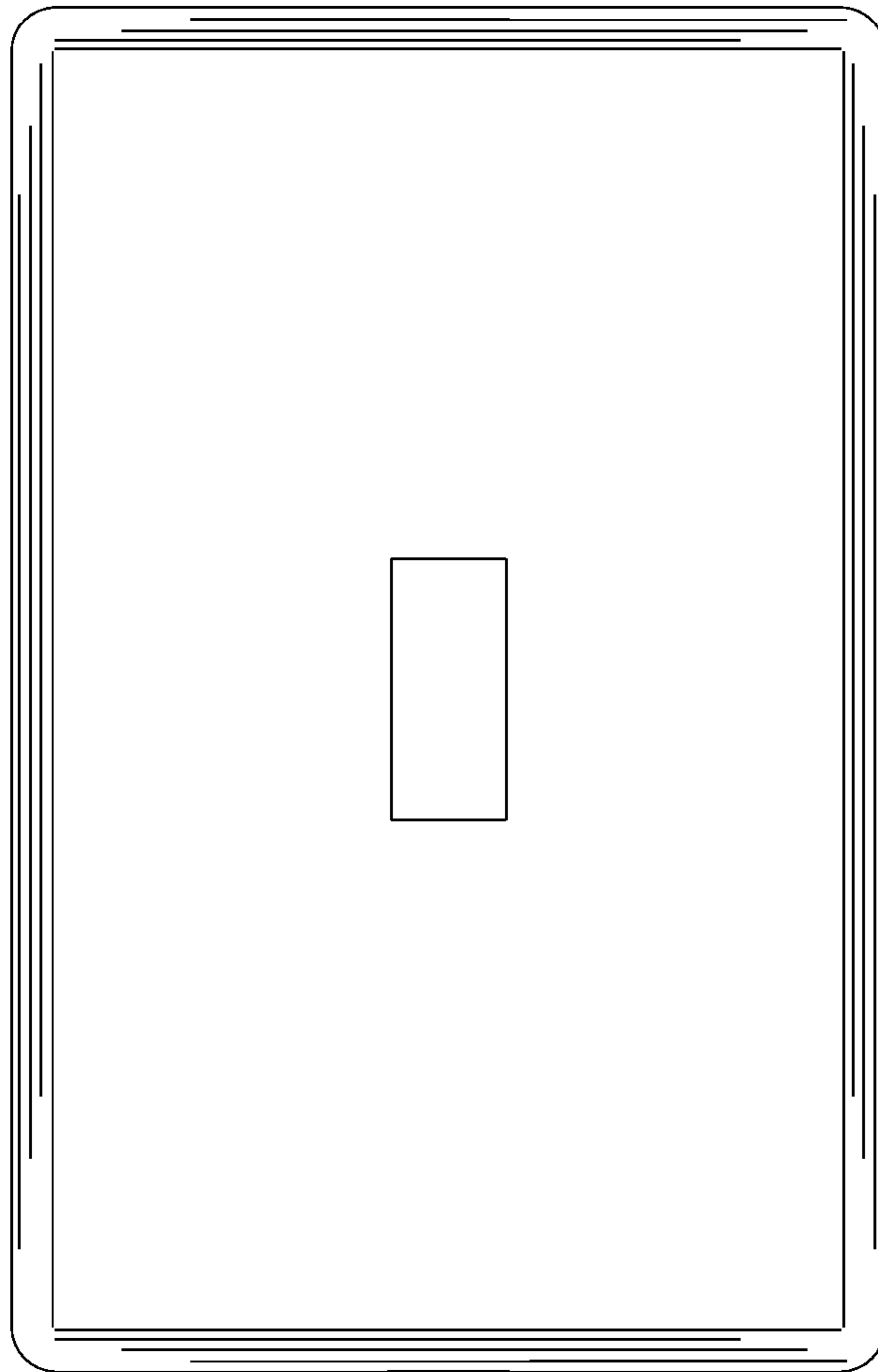


FIGURE 2

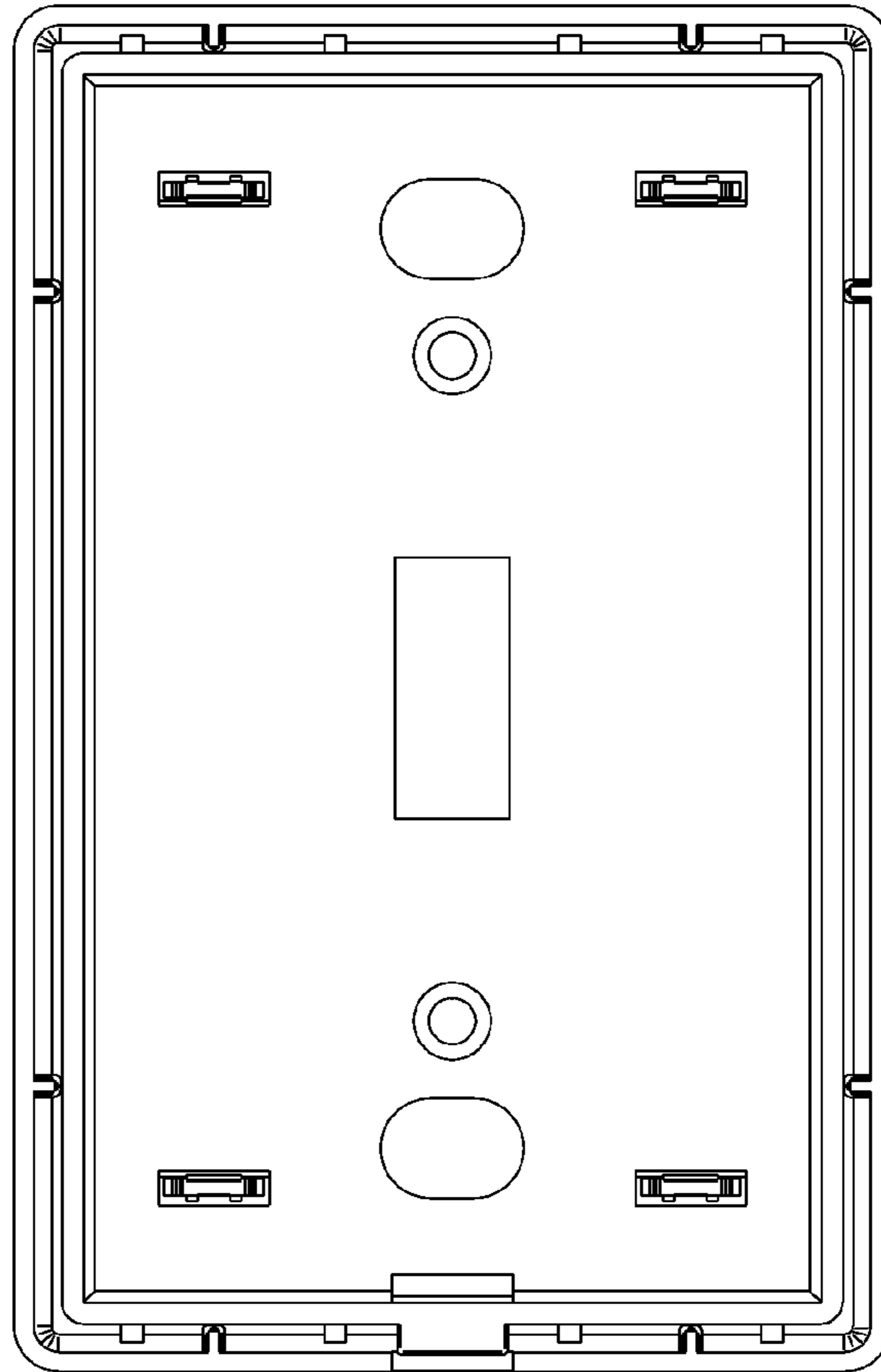


FIGURE 3

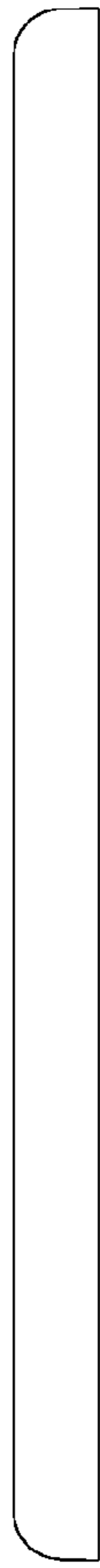


FIGURE 4

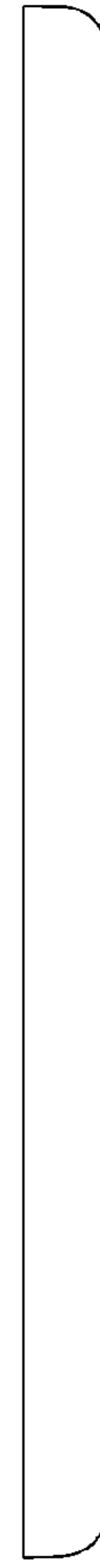


FIGURE 5

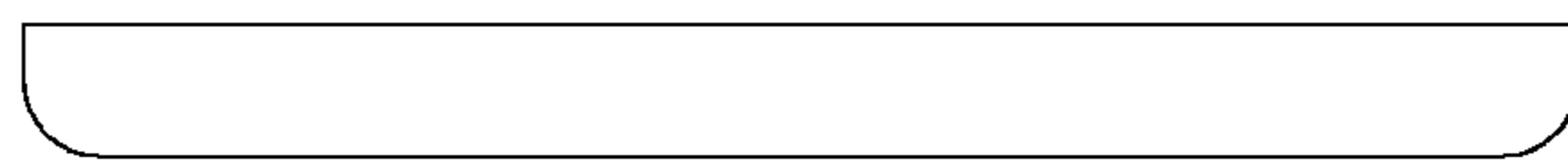


FIGURE 6



FIGURE 7

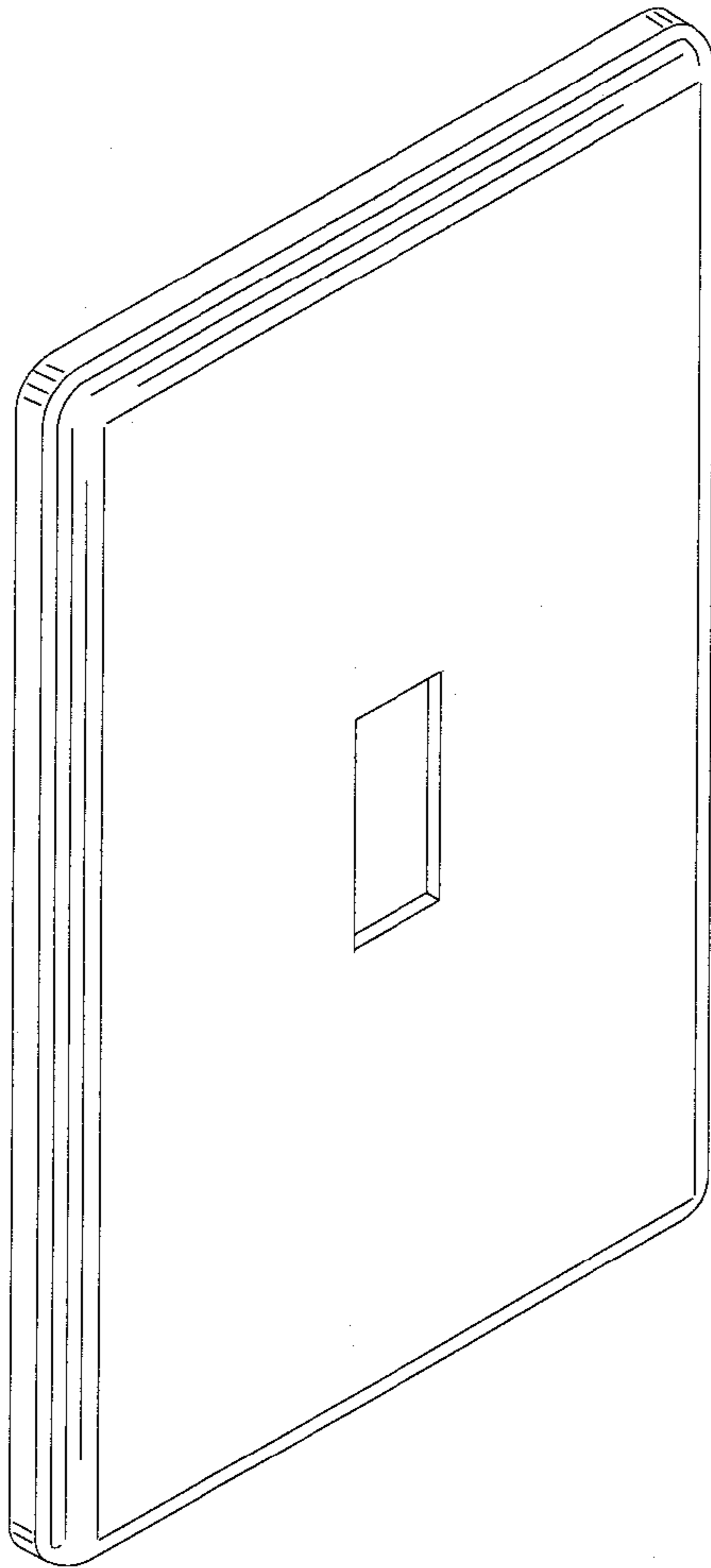


FIGURE 8

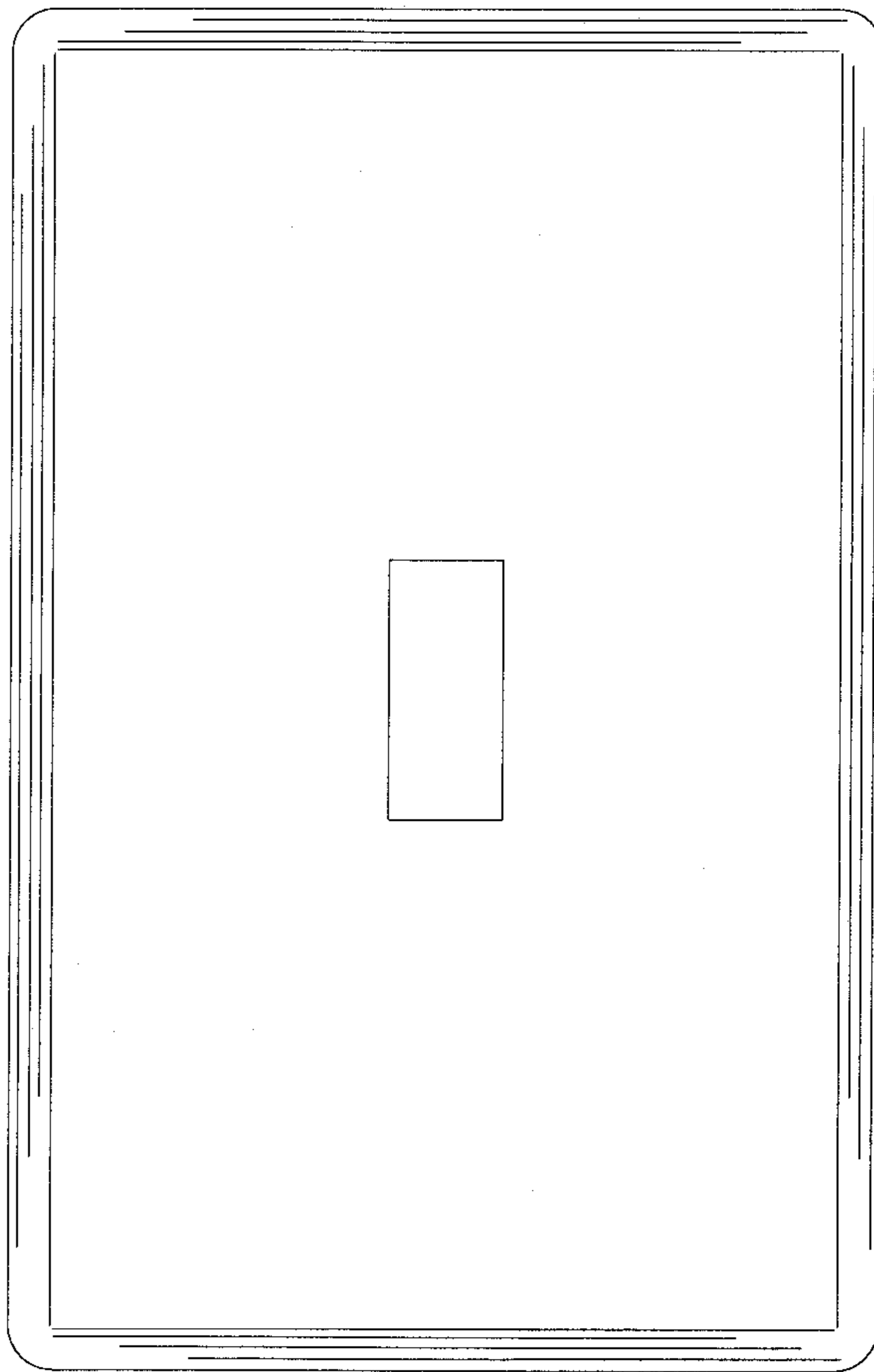


FIGURE 9

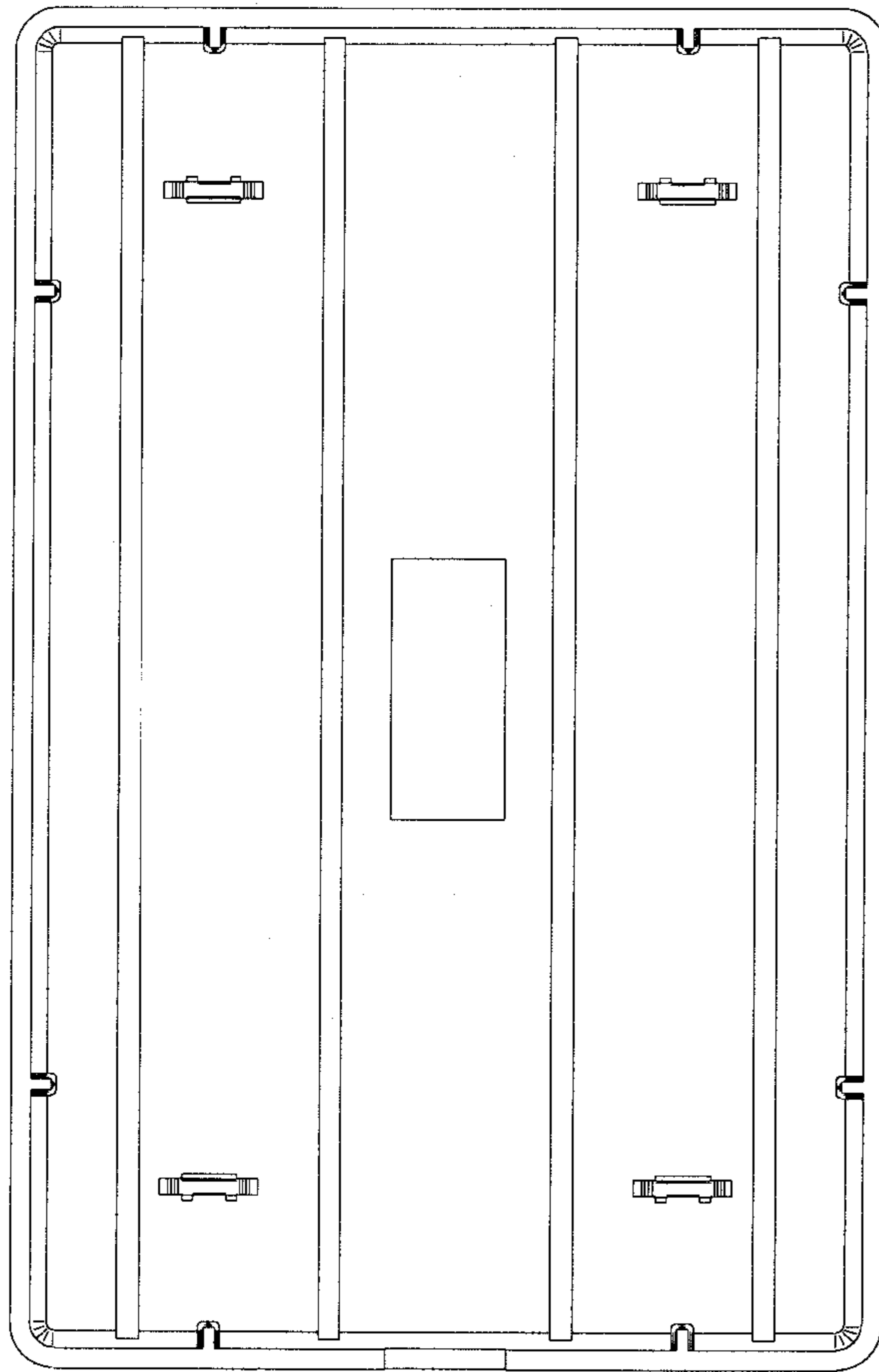


FIGURE 10



FIGURE 11

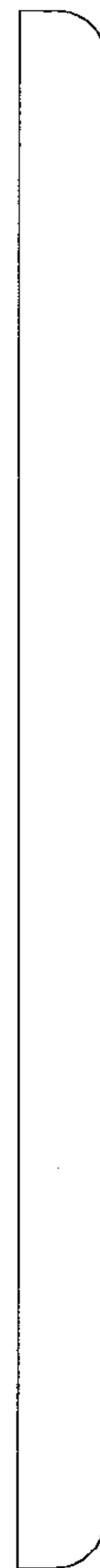


FIGURE 12

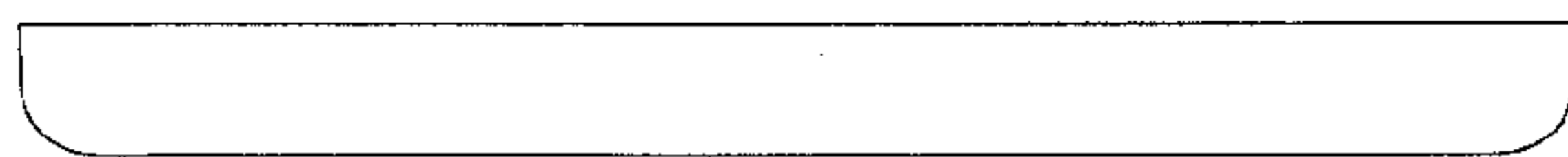


FIGURE 13

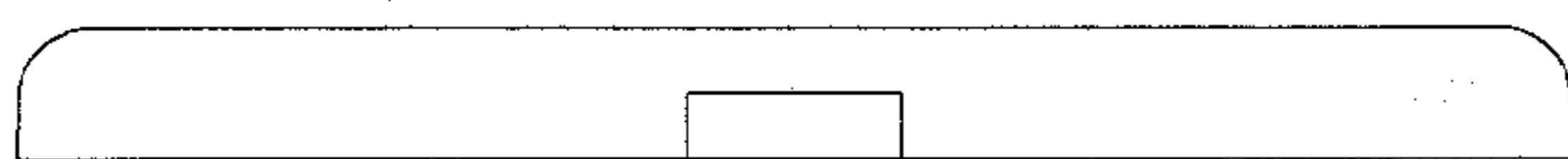


FIGURE 14

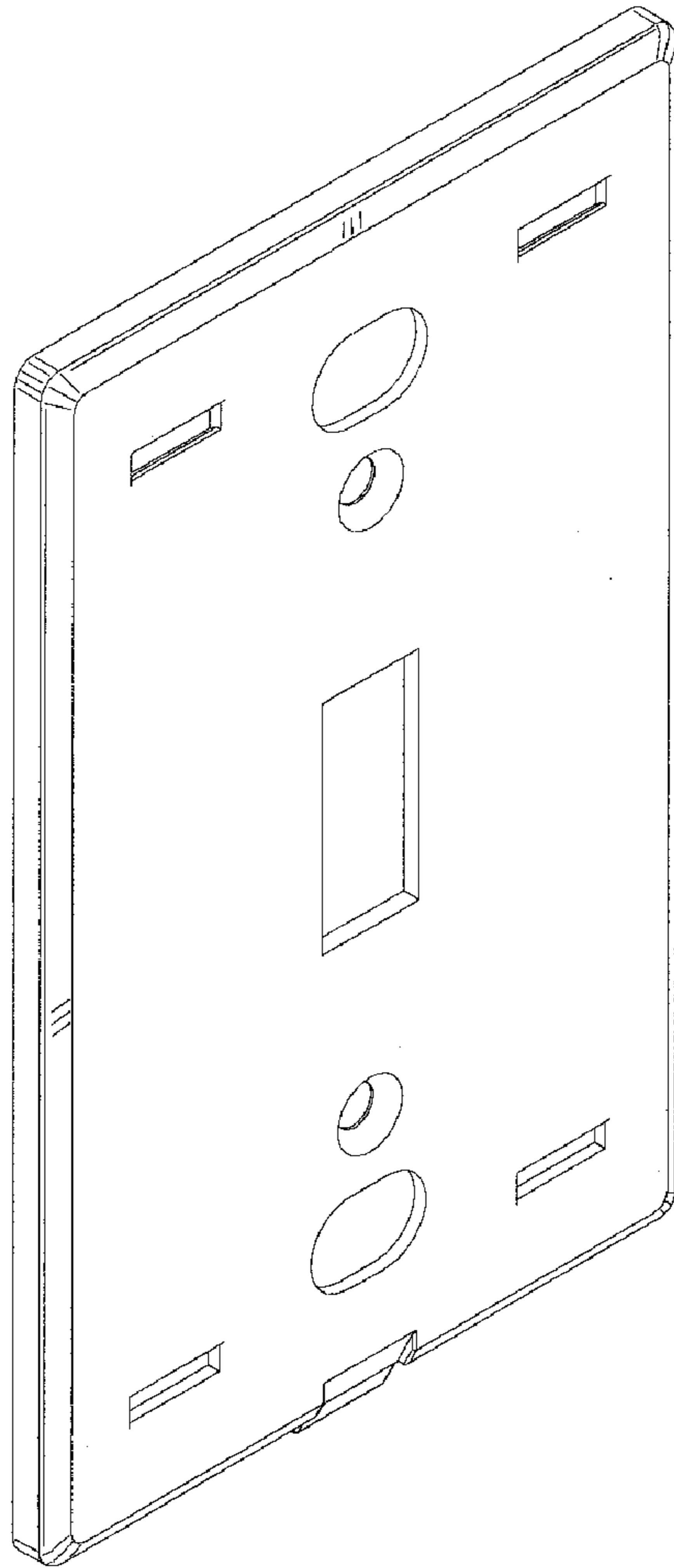


FIGURE 15

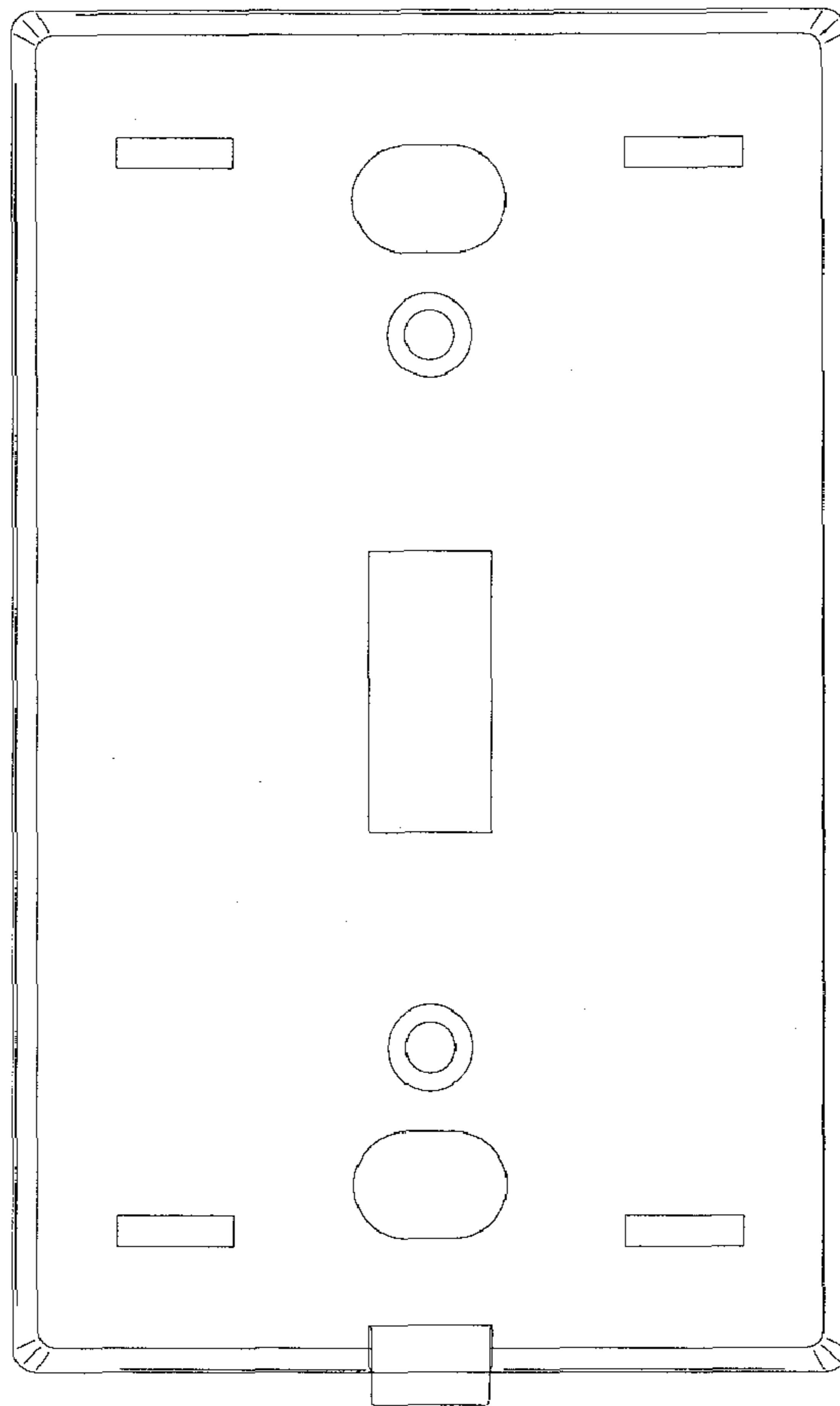


FIGURE 16

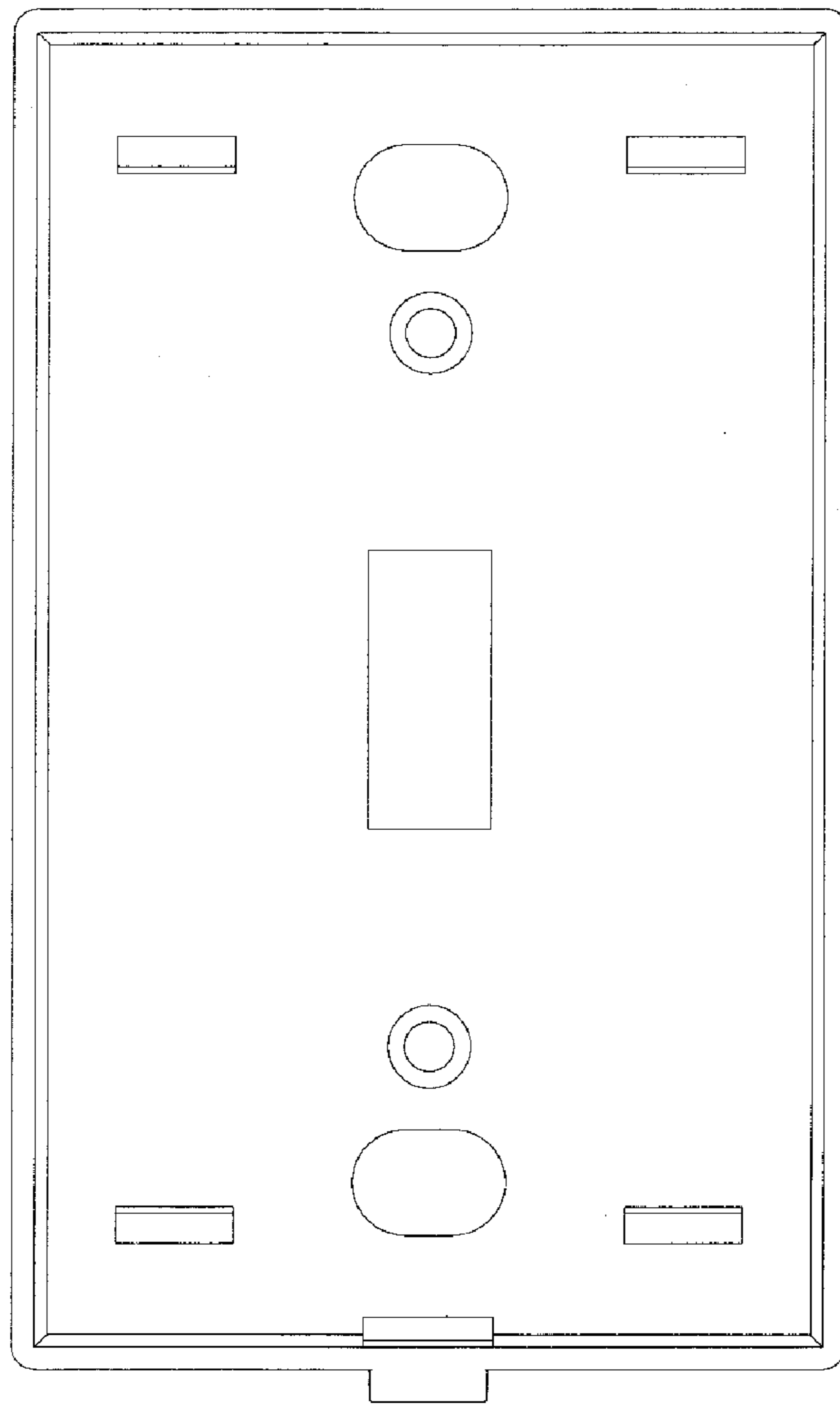


FIGURE 17

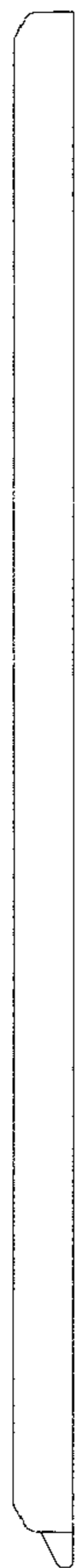


FIGURE 18

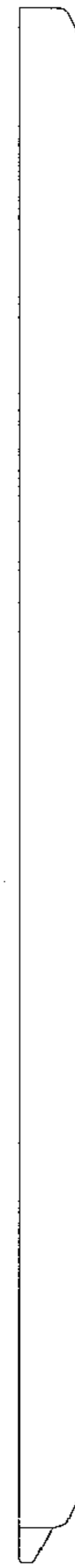


FIGURE 19

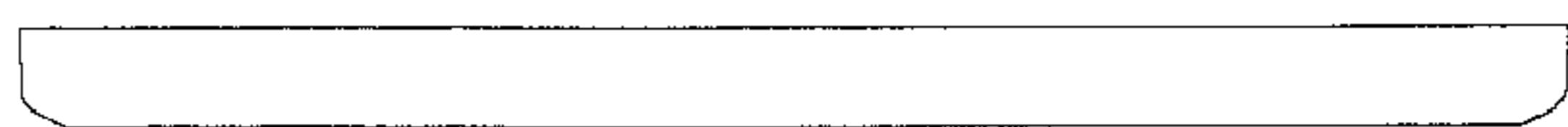


FIGURE 20

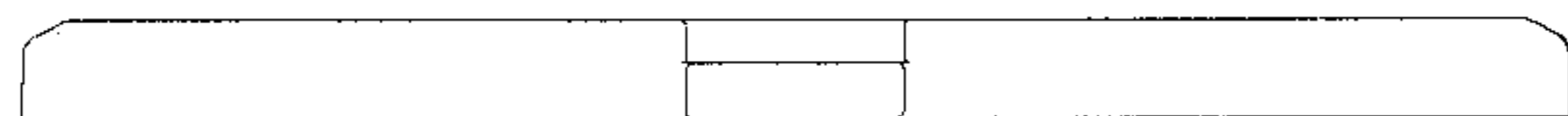
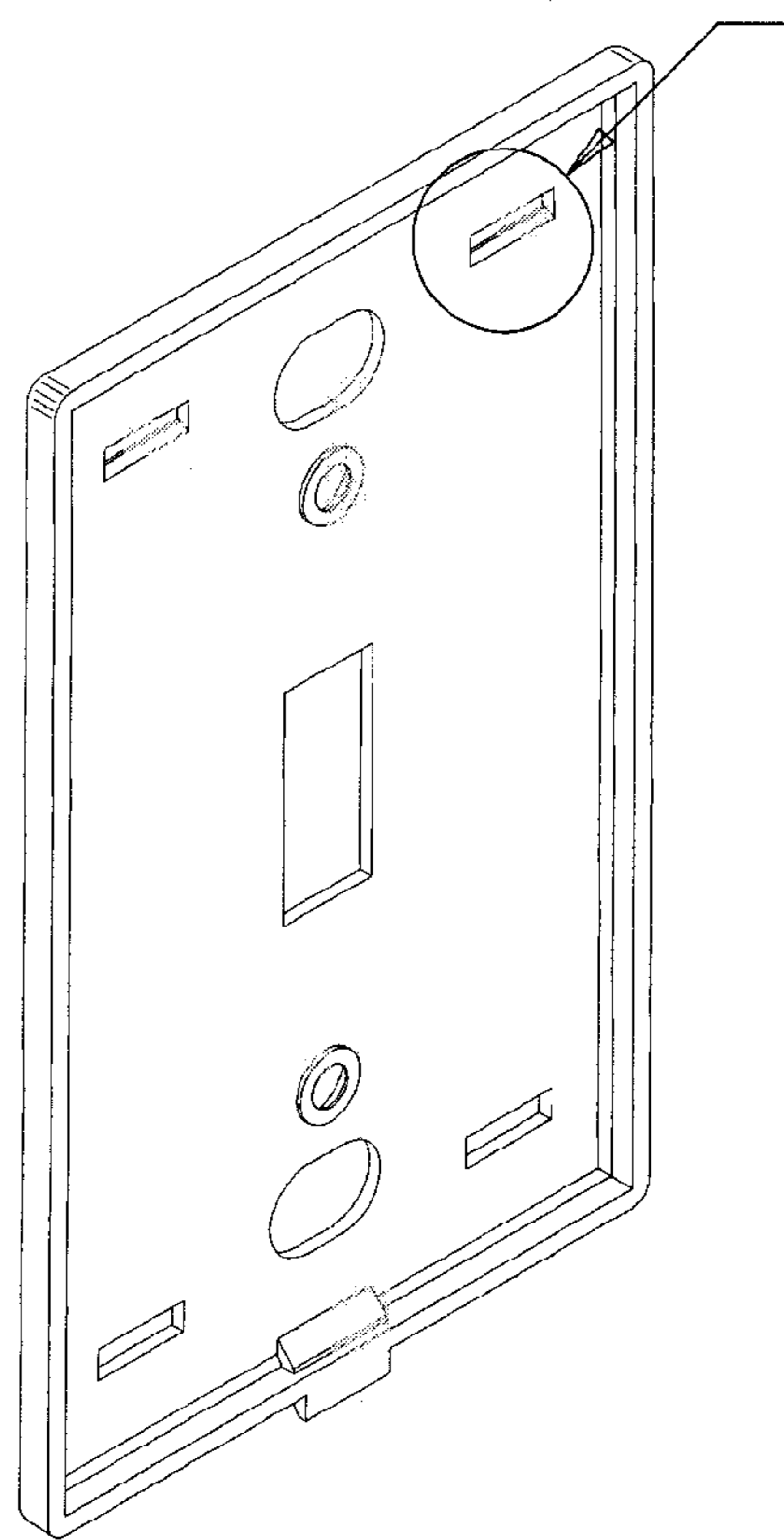


FIGURE 21



DETAIL A

FIGURE 22

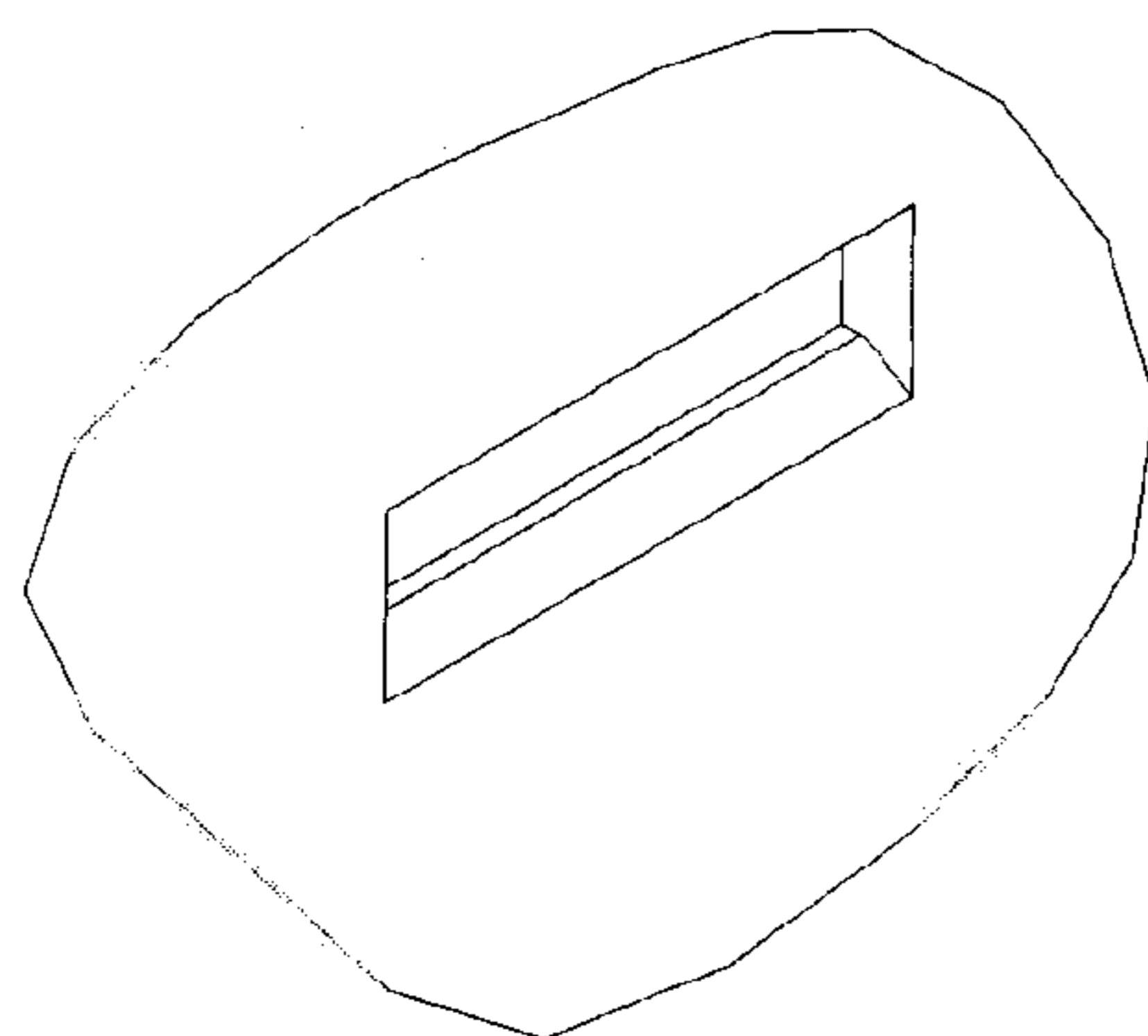
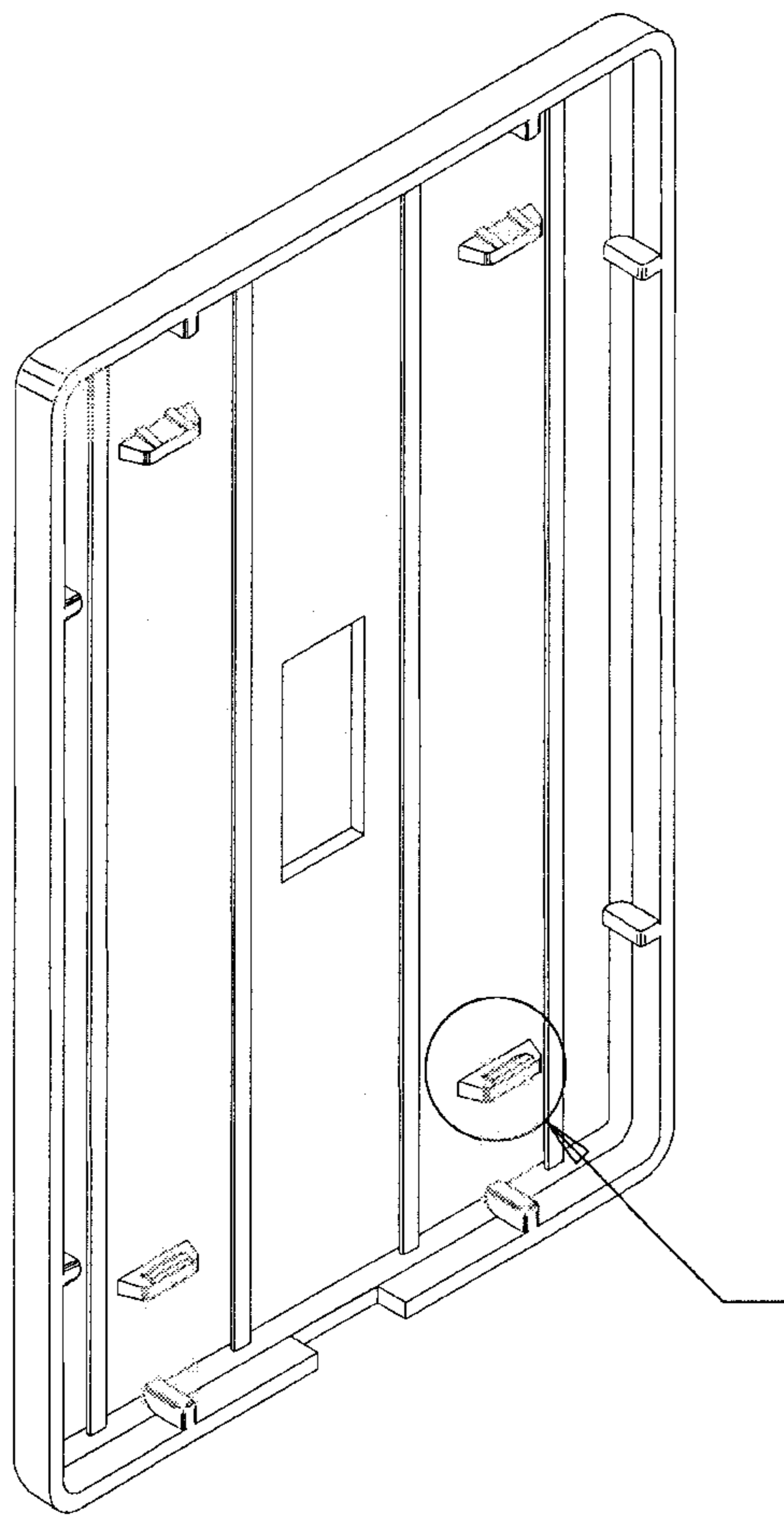


FIGURE 23



DETAIL B

FIGURE 24

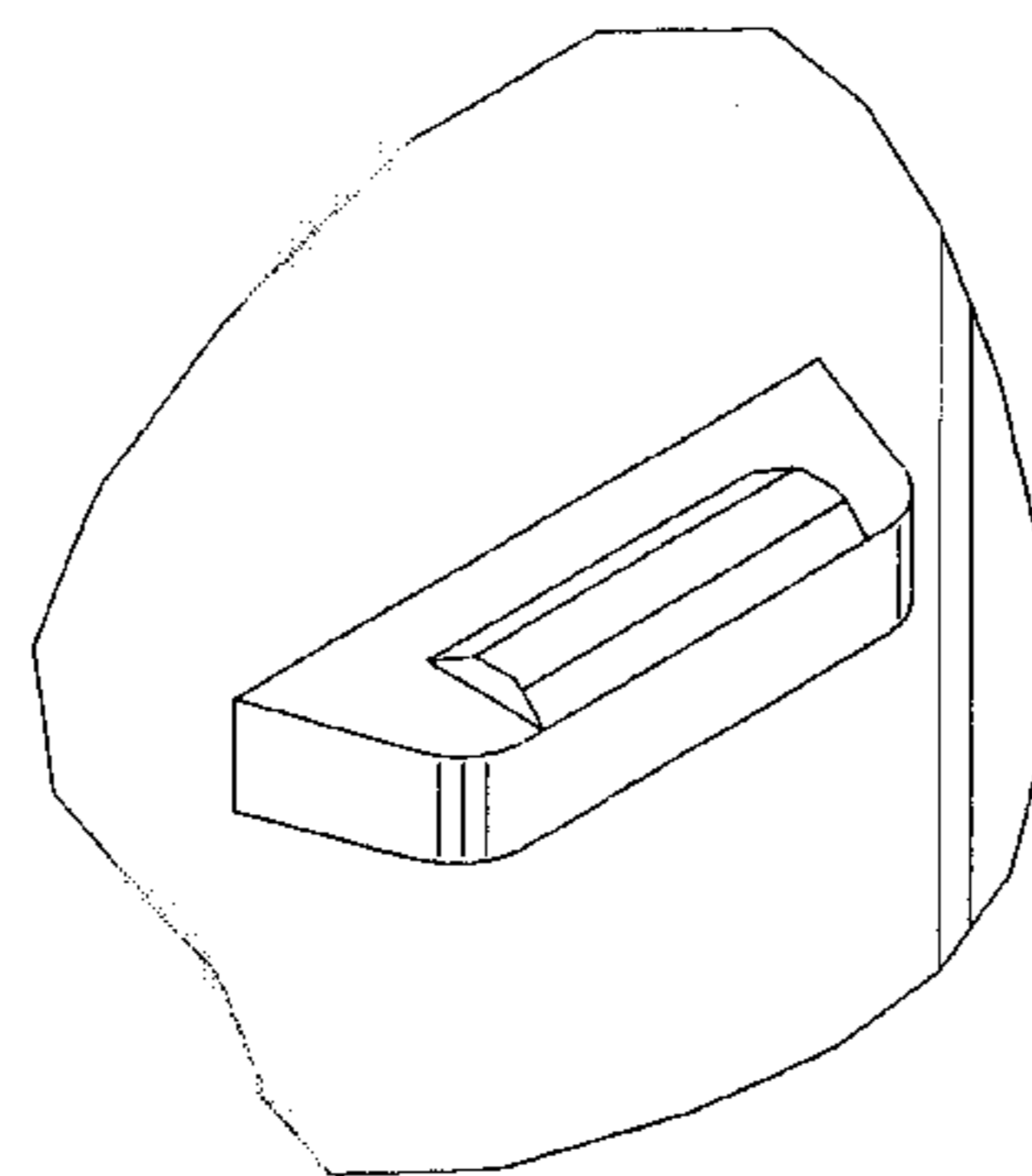


FIGURE 25