



US00D660130S

(12) **United States Design Patent**
Plato

(10) **Patent No.:** **US D660,130 S**

(45) **Date of Patent:** **** May 22, 2012**

(54) **LOCK**

(75) **Inventor:** **Lea Marie Plato**, Milwaukee, WI (US)

(73) **Assignee:** **Master Lock Company LLC**, Oak Creek, WI (US)

(**) **Term:** **14 Years**

(21) **Appl. No.:** **29/393,564**

(22) **Filed:** **Jun. 7, 2011**

(51) **LOC (9) Cl.** **08-07**

(52) **U.S. Cl.** **D8/334; D8/343**

(58) **Field of Classification Search** **D8/330-347;**
70/14, 20-28, 31, 32, 39, 41, 52-56, 86,
70/314, 423, DIG. 43, DIG. 56, 38 A, DIG. 3,
70/DIG. 4

See application file for complete search history.

(56) **References Cited**

U.S. PATENT DOCUMENTS

D99,554 S	5/1936	Slaymaker	
D142,481 S *	10/1945	Juakopets	D8/334
3,256,723 A	6/1966	Lehman	
4,226,100 A	10/1980	Hampton et al.	
5,761,935 A	6/1998	Adelmeyer	
D408,262 S *	4/1999	Liu	D8/334
6,035,672 A *	3/2000	Lai	70/25
D432,393 S *	10/2000	Gast	D8/346
D437,768 S	2/2001	Grosz et al.	
D451,002 S	11/2001	Lai	
D453,467 S *	2/2002	Nakamura	D8/334
D458,530 S *	6/2002	Grosz et al.	D8/334
6,434,981 B2 *	8/2002	Fantl et al.	70/25
D471,429 S	3/2003	Williams et al.	
6,539,754 B1	4/2003	Fang	

6,718,803 B2	4/2004	Knoll	
6,993,943 B1	2/2006	Chang	
D518,357 S	4/2006	Kearns et al.	
D537,320 S	2/2007	Kearns et al.	
D537,703 S	3/2007	Kearns et al.	
D587,983 S	3/2009	Zorc et al.	
D587,984 S	3/2009	Zorc et al.	
D595,112 S	6/2009	Zorc et al.	
D606,840 S *	12/2009	Gould	D8/331
D638,278 S *	5/2011	Plato	D8/334
D646,552 S *	10/2011	Plato	D8/334
2008/0011027 A1	1/2008	Yu	
2010/0326143 A1	12/2010	Loughlin et al.	

* cited by examiner

Primary Examiner — Prabhakar Deshmukh

(74) *Attorney, Agent, or Firm* — Calfee, Halter & Griswold LLP

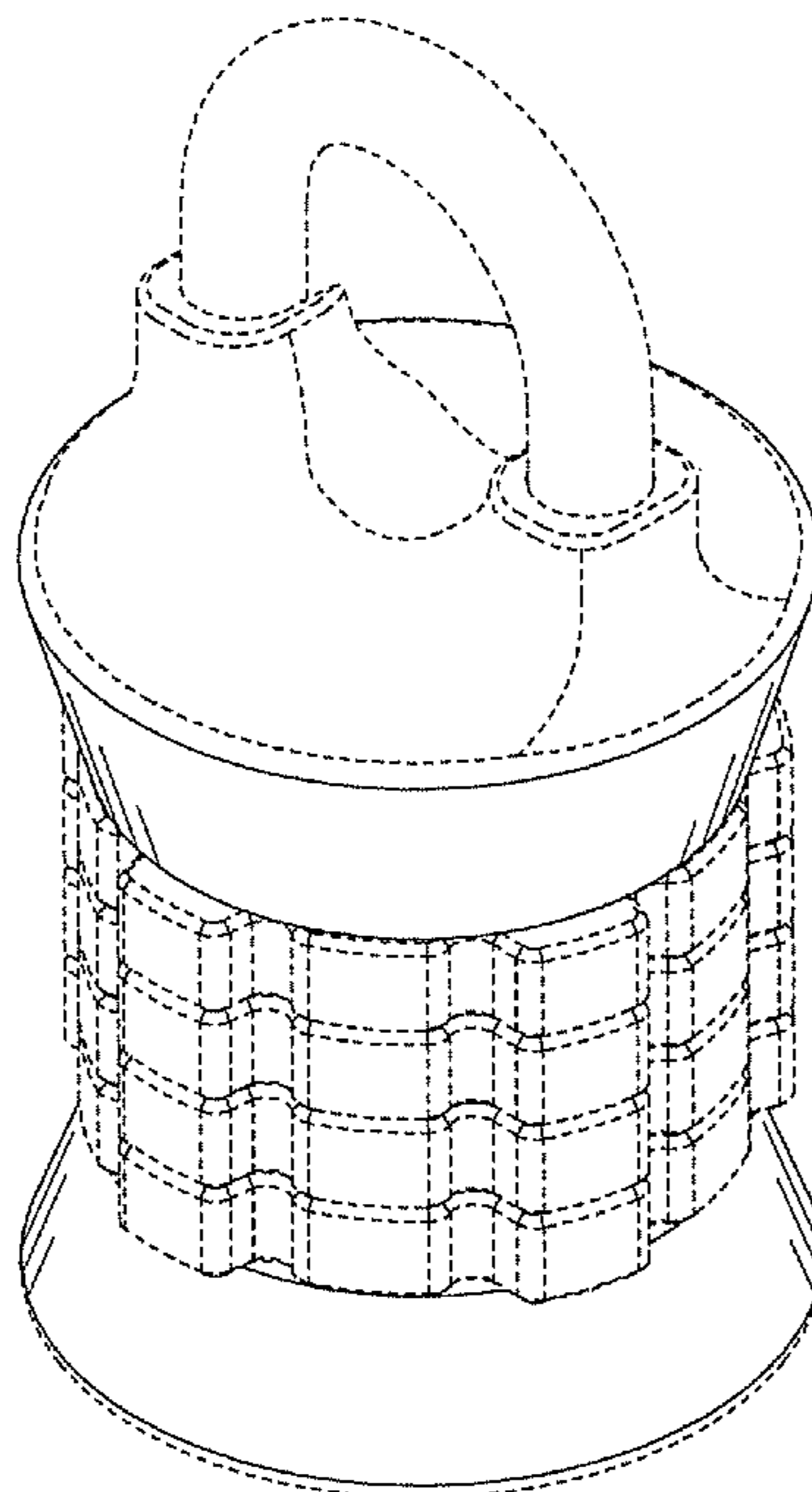
(57) **CLAIM**

I claim the ornamental design for a lock, as shown and described.

DESCRIPTION

FIG. 1 is a front perspective view of a lock showing my new design;
FIG. 2 is a rear perspective view of the lock of FIG. 1;
FIG. 3 is a top view of the lock of FIG. 1;
FIG. 4 is a bottom view of the lock of FIG. 1;
FIG. 5 is a front elevational view of the lock of FIG. 1;
FIG. 6 is a rear elevational view of the lock of FIG. 1;
FIG. 7 is a left side elevational view of the lock of FIG. 1; and,
FIG. 8 is a right side elevational view of the lock of FIG. 1.
The broken lines in the figures depict environment only and form no part of the claimed design.

1 Claim, 5 Drawing Sheets



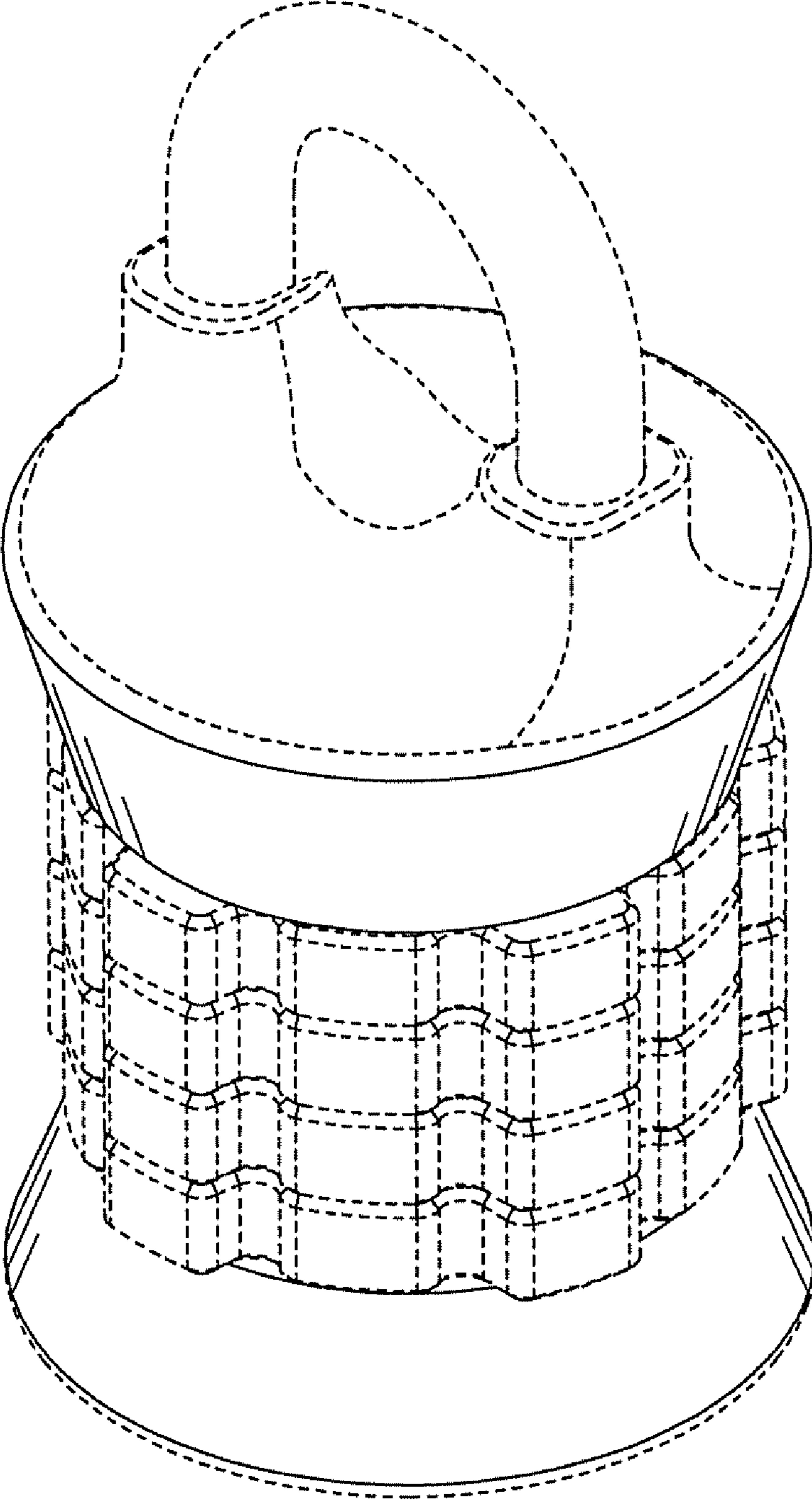


FIG. 1

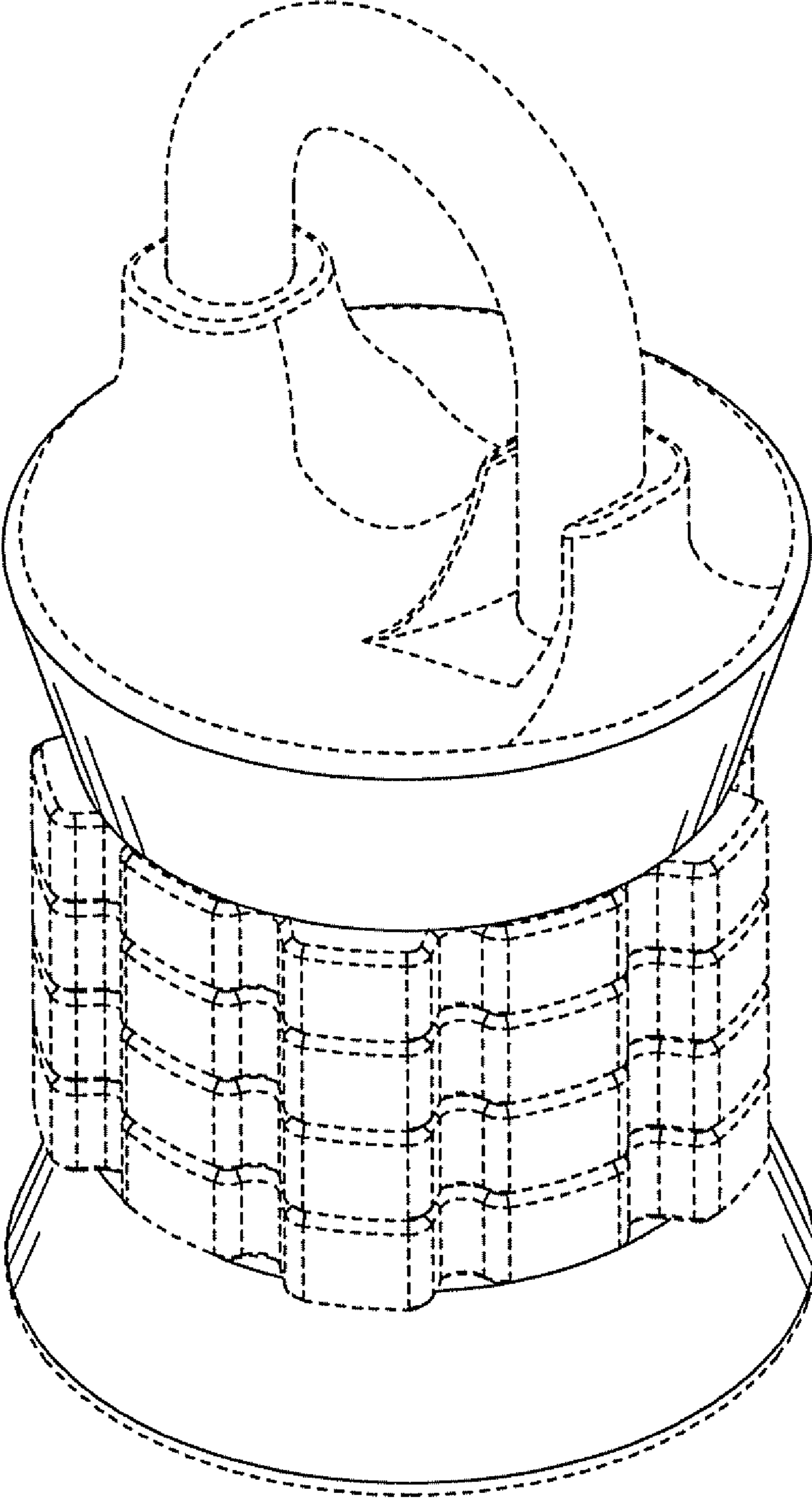


FIG. 2

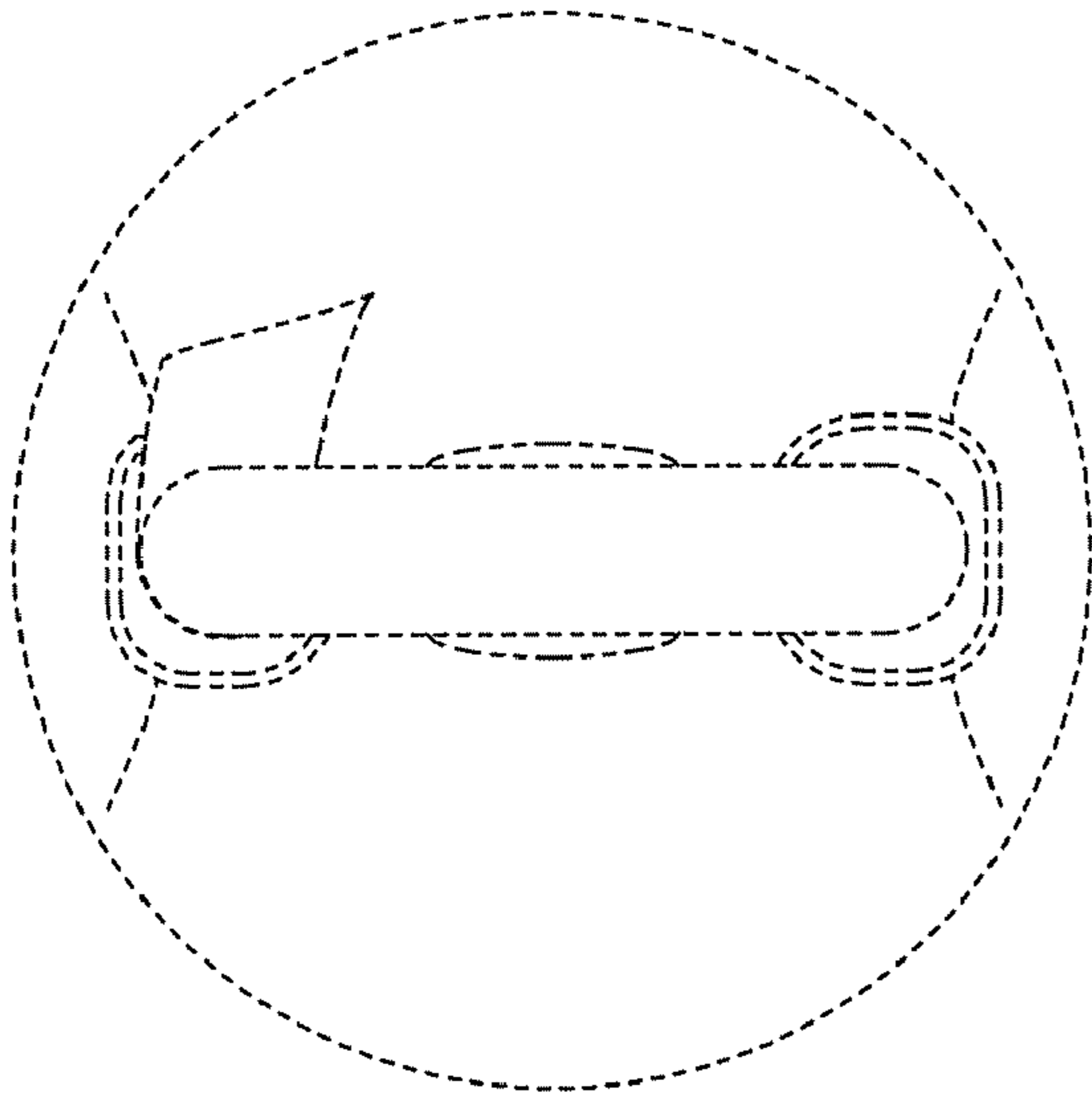


FIG. 3

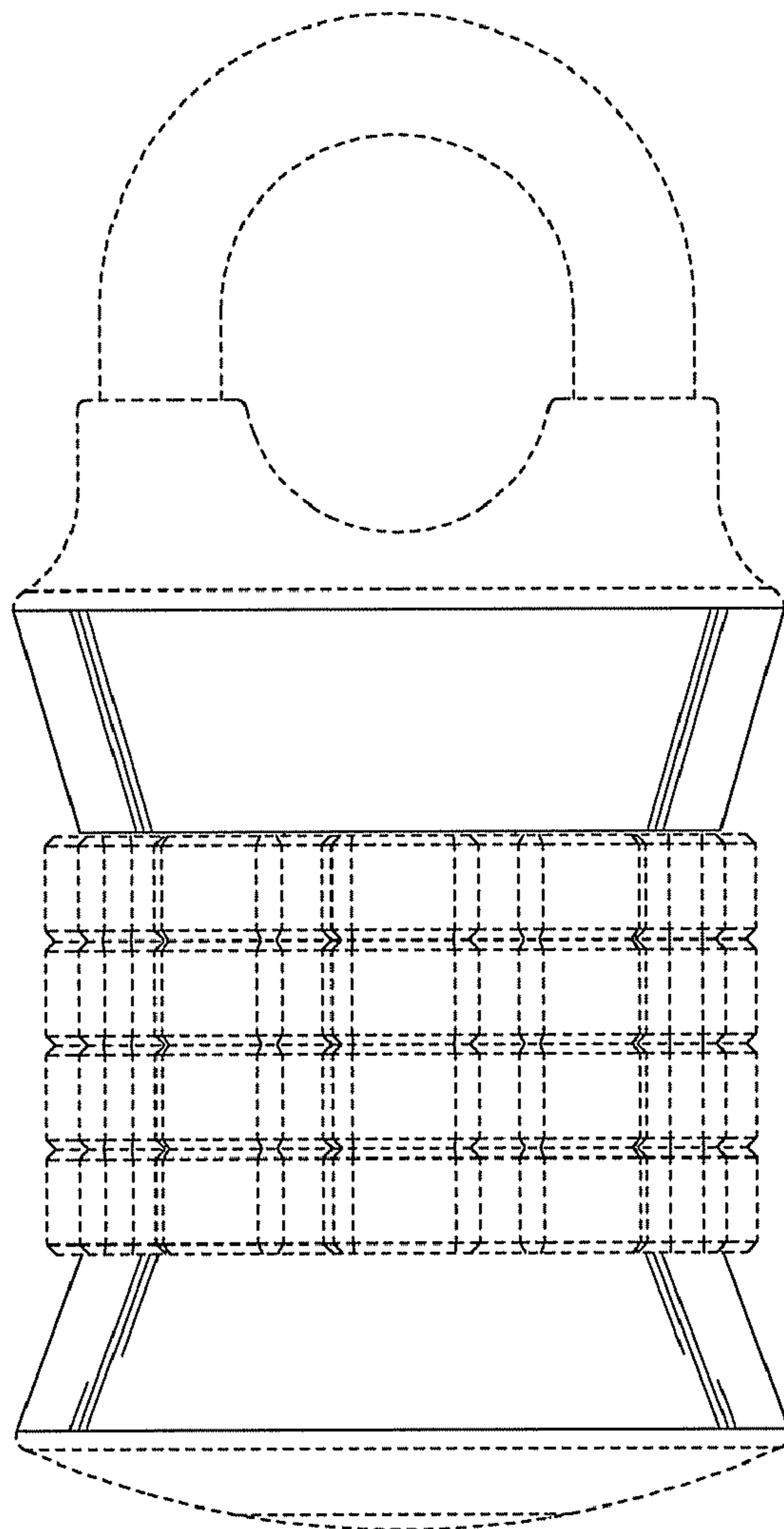


FIG. 4

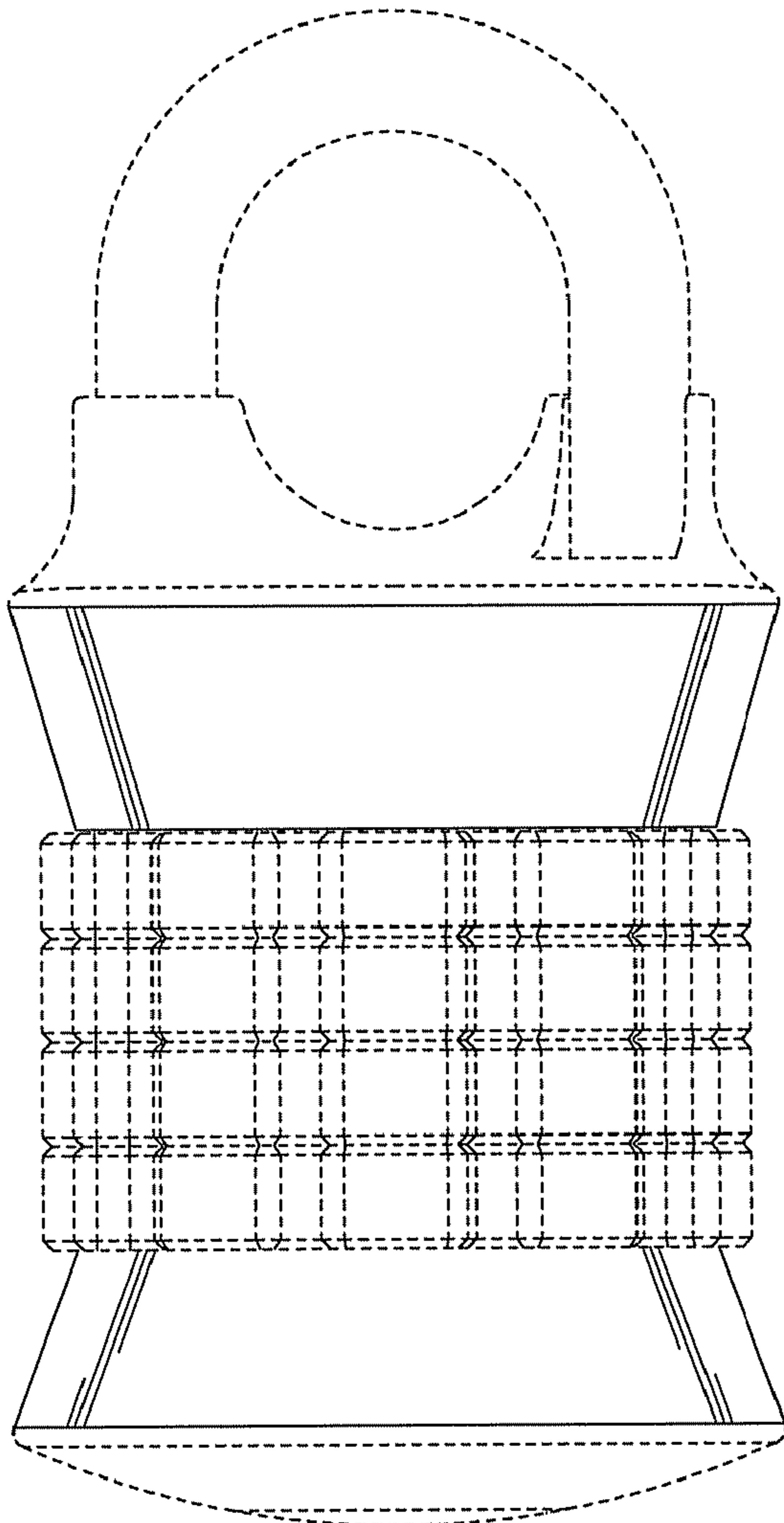


FIG. 5

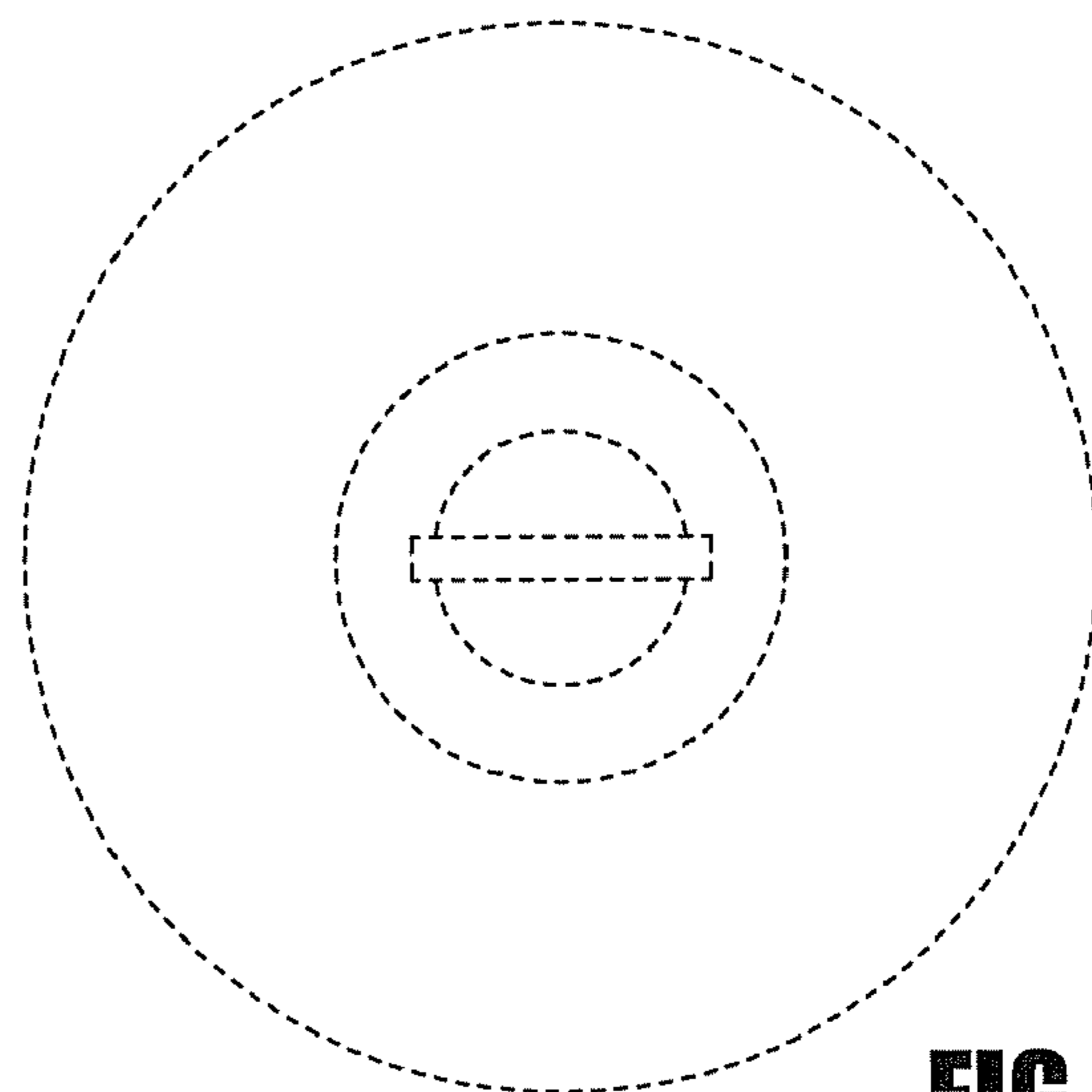


FIG. 6

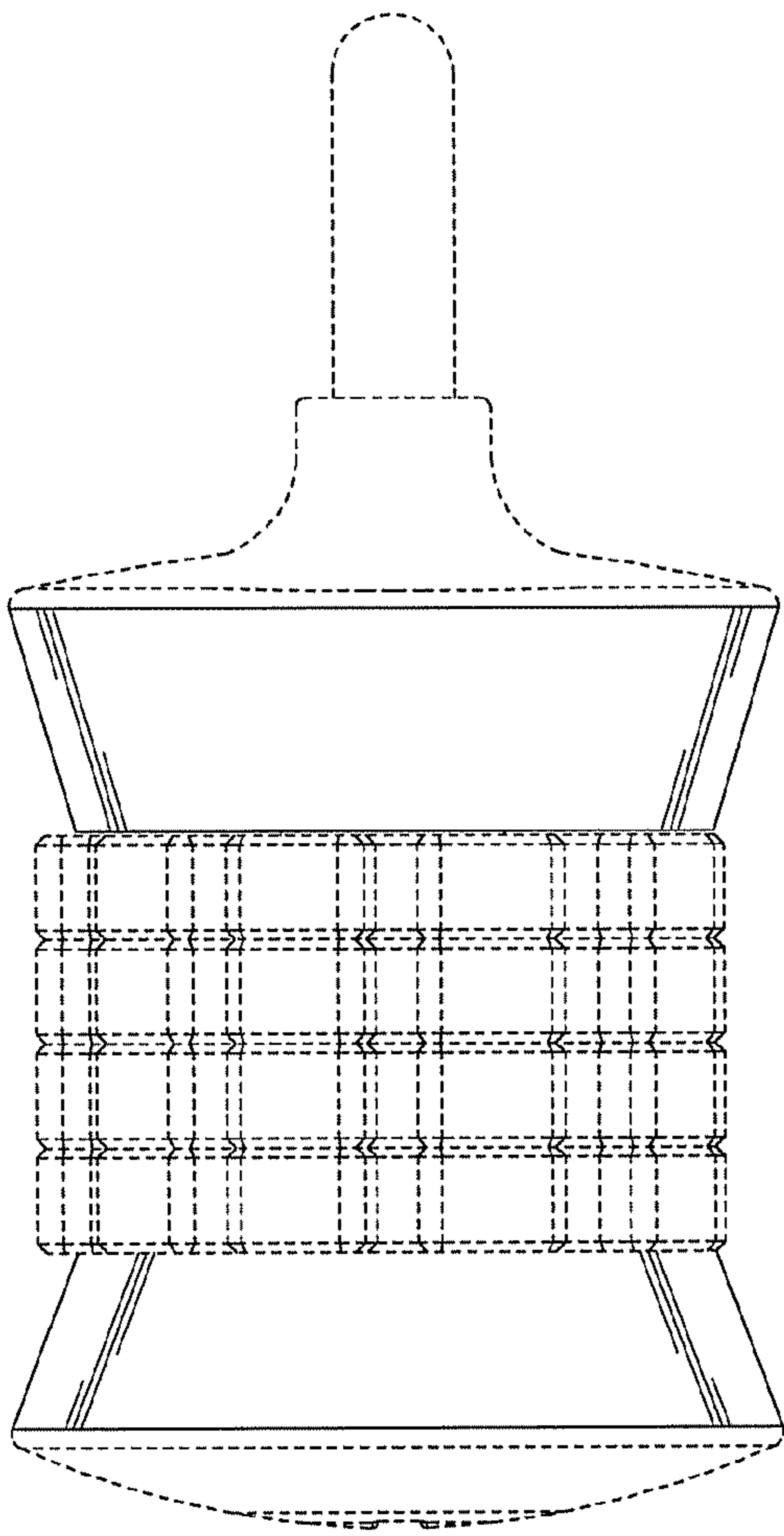


FIG. 7

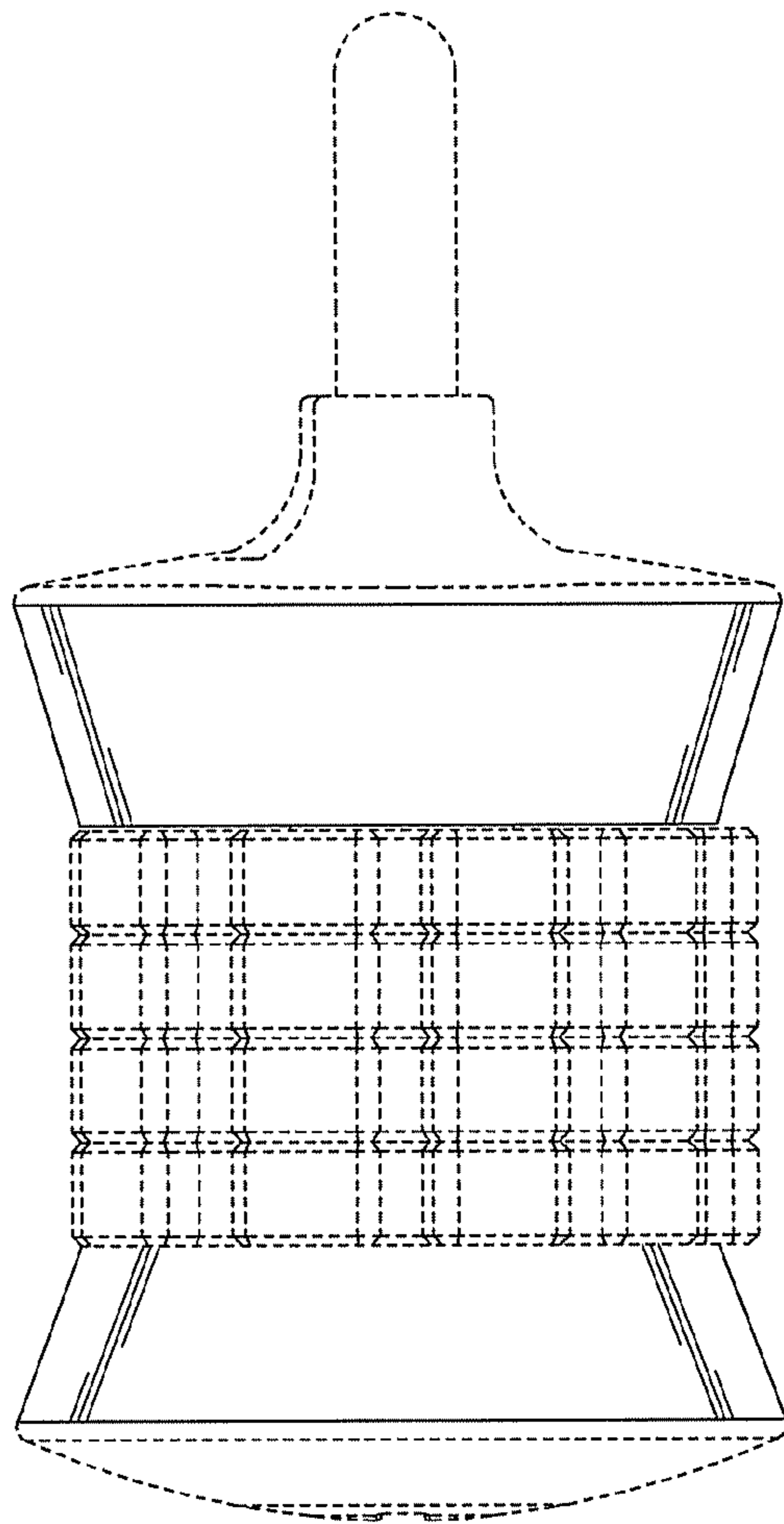


FIG. 8