



US00D660129S

(12) **United States Design Patent**
Genord et al.

(10) **Patent No.:** **US D660,129 S**

(45) **Date of Patent:** **** May 22, 2012**

(54) **DOOR LOCK**

(75) Inventors: **Daniel Genord**, South Lyon, MI (US);
Curtis J. Bailey, Birmingham, MI (US);
James M. Stenz, Fenton, MI (US);
Joshua Rigg, Clarkson, MI (US); **David**
J. Wilson, Kimball, MI (US)

(73) Assignee: **Schlage Lock Company**, Carmel, IN
(US)

(**) Term: **14 Years**

(21) Appl. No.: **29/367,709**

(22) Filed: **Aug. 12, 2010**

(51) **LOC (9) Cl.** **08-07**

(52) **U.S. Cl.** **D8/330**

(58) **Field of Classification Search** D8/330,
D8/331, 334, 300, 301; 70/14, 20–22, 57,
70/57.1, 284–286, 314, DIG. 44
See application file for complete search history.

(56) **References Cited**

U.S. PATENT DOCUMENTS

5,475,996	A *	12/1995	Chen	70/279.1
D552,967	S *	10/2007	Roberts et al.	D8/350
D570,188	S *	6/2008	Luo	D8/330
D576,016	S *	9/2008	Min	D8/330
D581,246	S *	11/2008	Conway	D8/330
D593,399	S *	6/2009	Douglas et al.	D8/350
D595,109	S *	6/2009	Doucet et al.	D8/331
7,540,177	B1 *	6/2009	Luo	70/278.1
D607,303	S *	1/2010	Kim et al.	D8/331
D639,135	S *	6/2011	Doucet et al.	D8/330

OTHER PUBLICATIONS

Ingersoll Rand Security Technologies, Schlage AD Series Products,
accessed Feb. 2, 2010.

Ingersoll Rand Security Technologies, Schlage AD-200 Offline Elec-
tronic Lock, accessed Feb. 2, 2010.
Ingersoll Rand Security Technologies, Schlage AD-250 Offline Elec-
tronic Lock, accessed Feb. 2, 2010.
Ingersoll Rand Security Technologies, Schlage AD-300 Hardwired
Electronic Lock, accessed Feb. 2, 2010.
Ingersoll Rand Security Technologies, Schlage AD-400 Wireless
Electronic Lock, accessed Feb. 2, 2010.
Ingersoll Rand Security Technologies AD-Series Product Tour Bro-
chure, dated Feb. 2, 2010.
Ingersoll Rand Security Technologies AD-200 Offline Electronic
Lock Brochure, dated Sep. 1, 2009.
Ingersoll Rand Security Technologies AD-250 Offline Electronic
Lock Brochure, dated Sep. 1, 2009.
Ingersoll Rand Security Technologies AD-300 Hardwired Electronic
Lock Brochure, dated Sep. 1, 2009.
Ingersoll Rand Security Technologies AD-400 Wireless Electronic
Lock Brochure, dated Sep. 1, 2009.

* cited by examiner

Primary Examiner — Prabhakar Deshmukh

(74) *Attorney, Agent, or Firm* — Michael, Best & Friedrich
LLP

(57) **CLAIM**

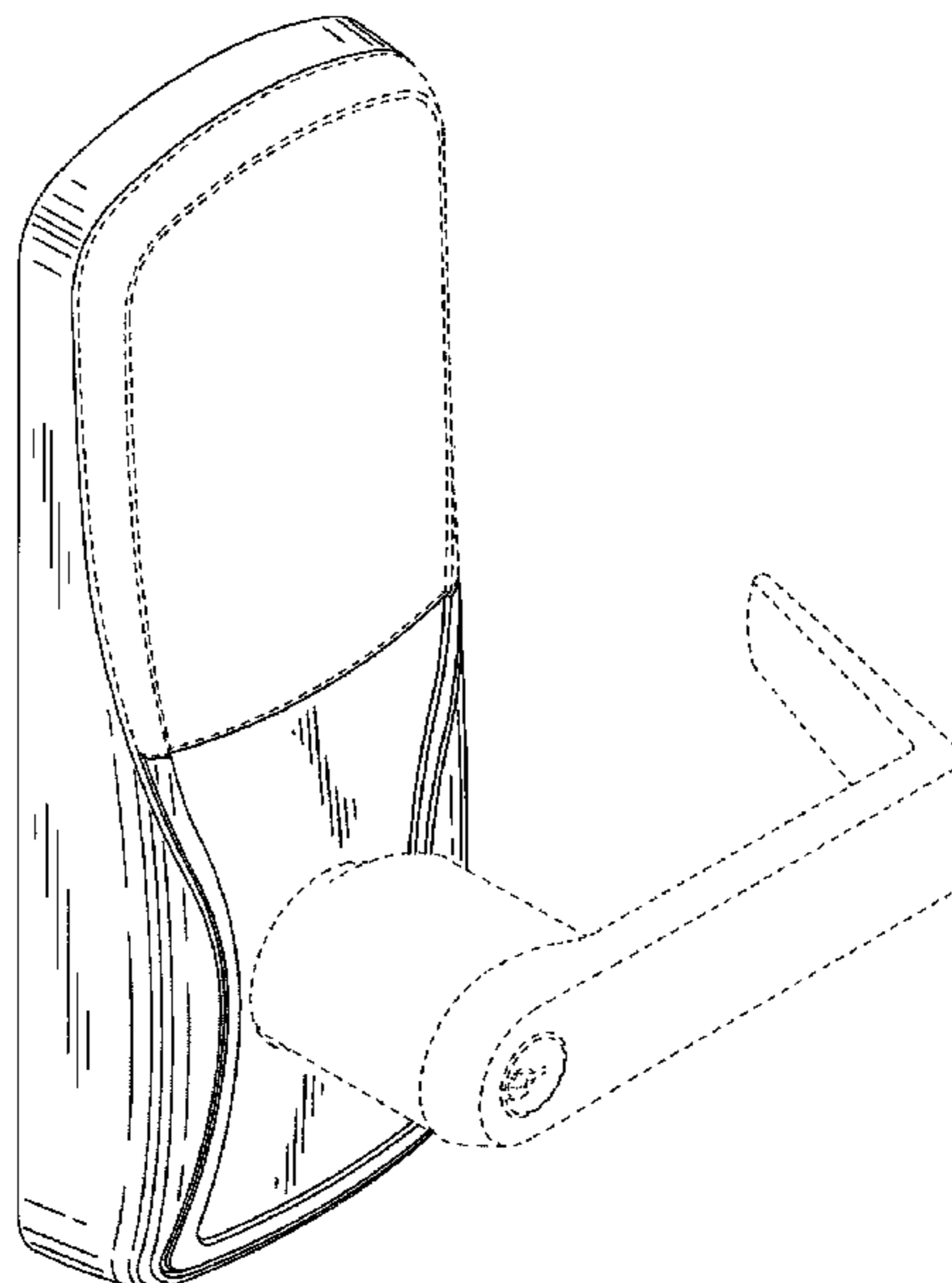
We claim the ornamental design for a door lock, as shown and
described.

DESCRIPTION

FIG. 1 is a perspective view of a door lock showing our new
design;
FIG. 2 is a front elevational view thereof;
FIG. 3 is a right side elevational view thereof;
FIG. 4 is a left side elevational view thereof;
FIG. 5 is a bottom plan view thereof; and,
FIG. 6 is a top plan view thereof.

The broken lines are included for the purpose of illustrating
environment and form no part of the claimed design.

1 Claim, 4 Drawing Sheets



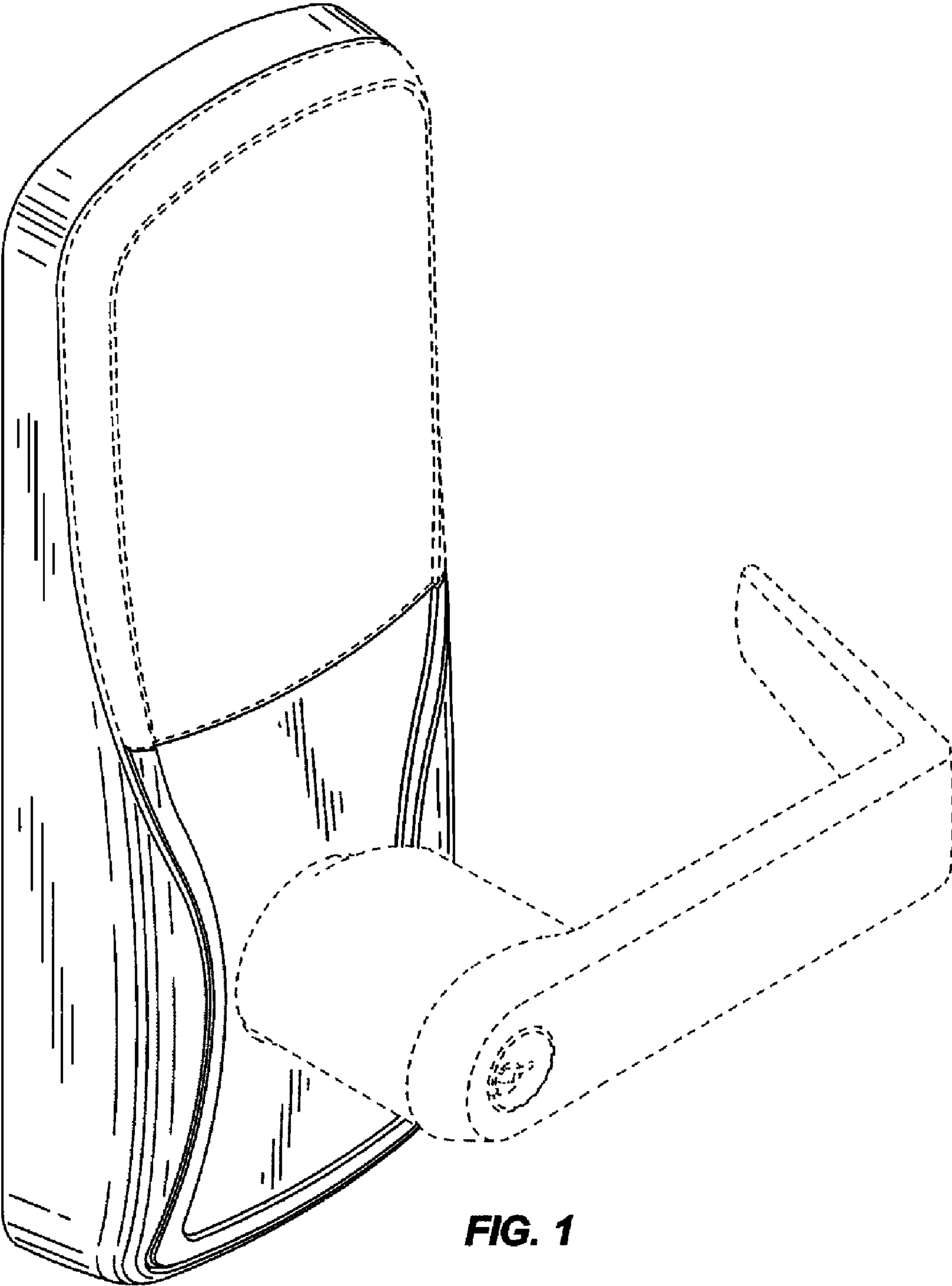


FIG. 1

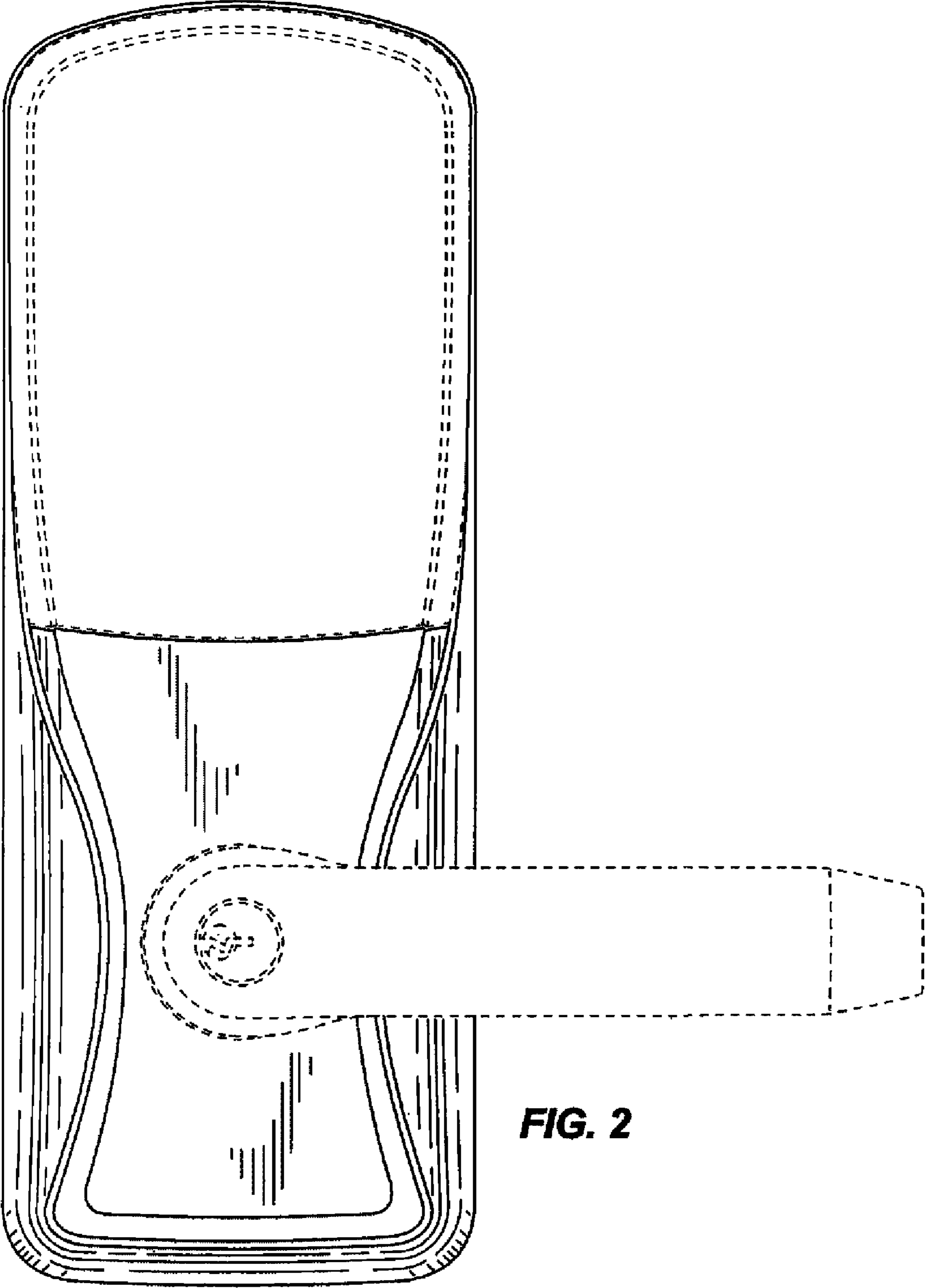


FIG. 2

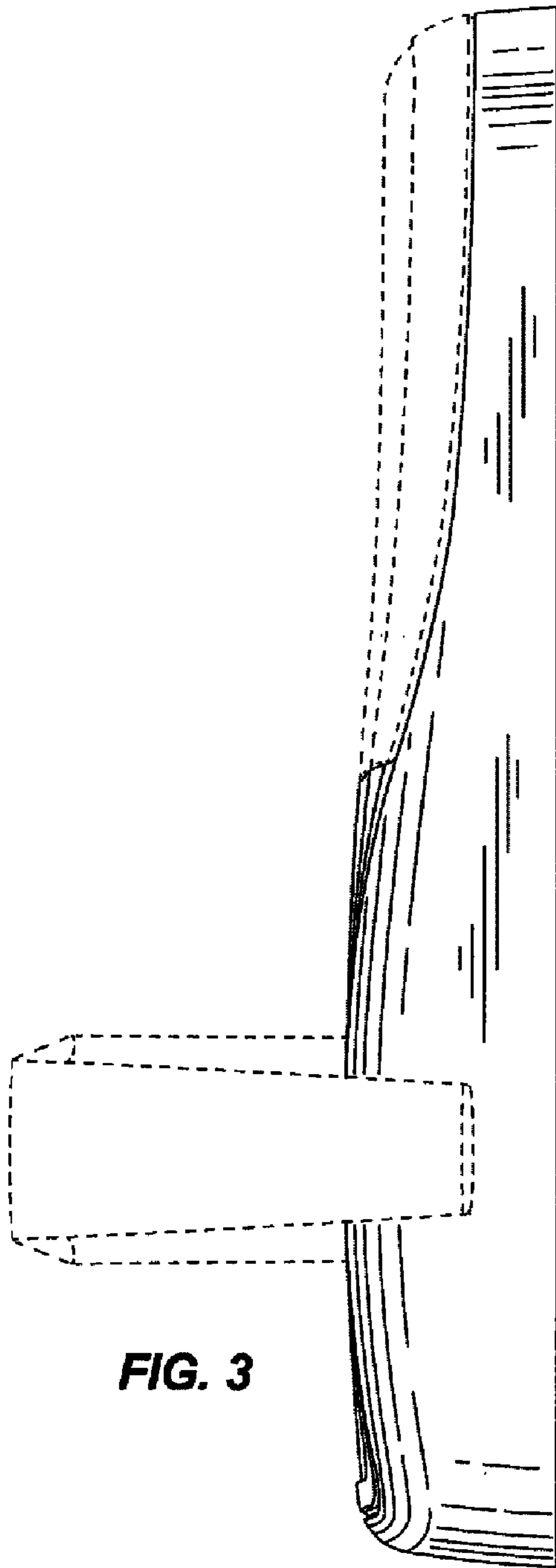


FIG. 3

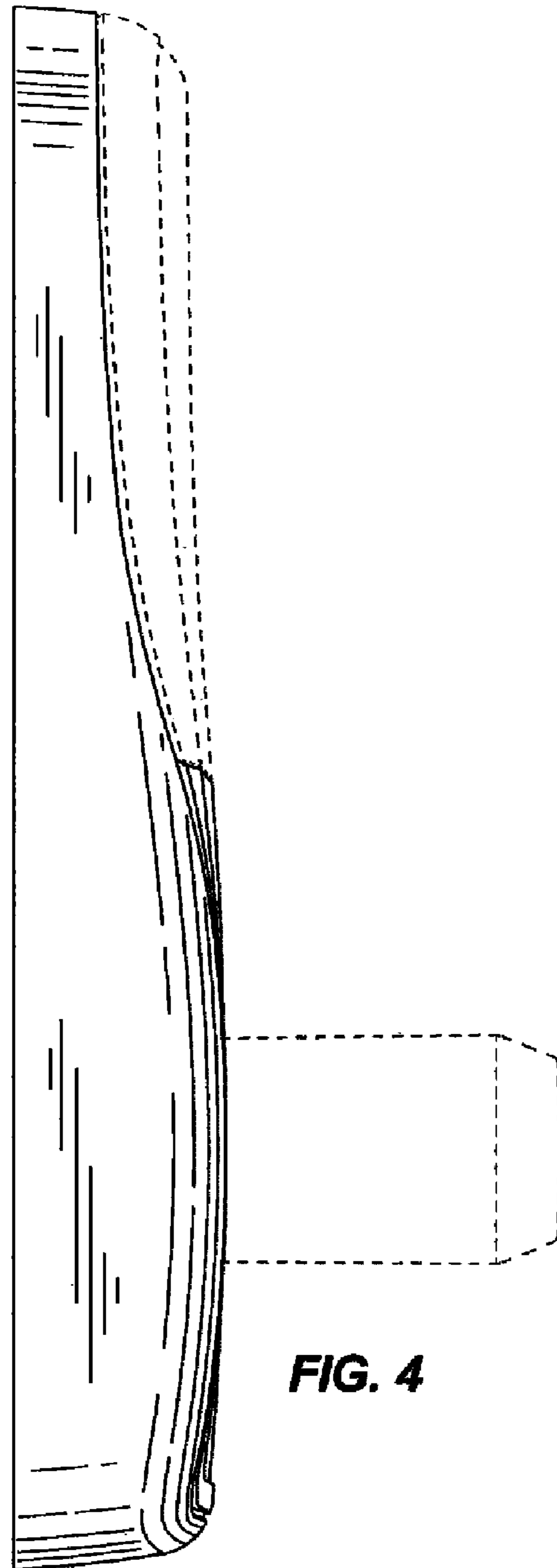


FIG. 4

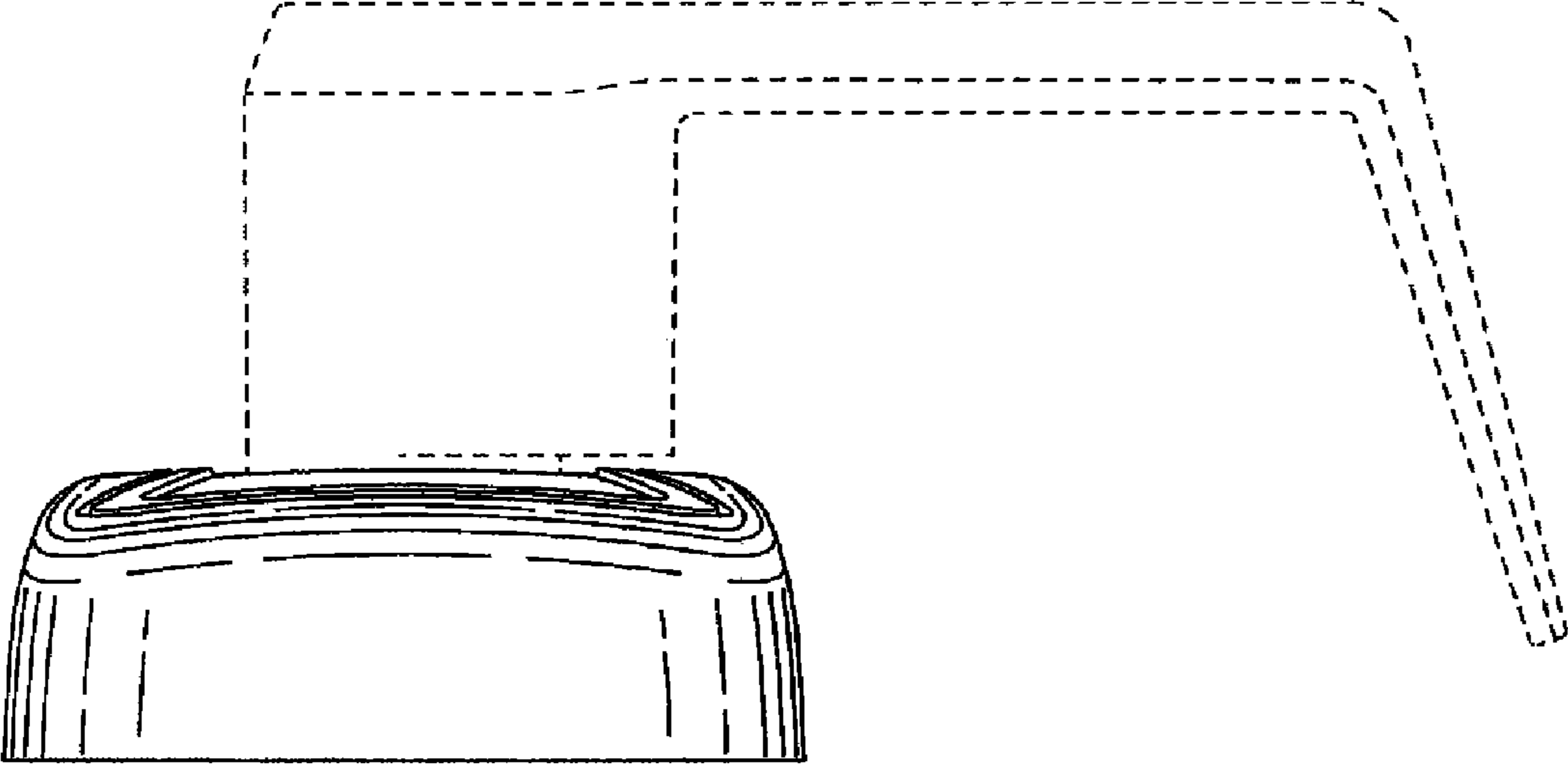


FIG. 5

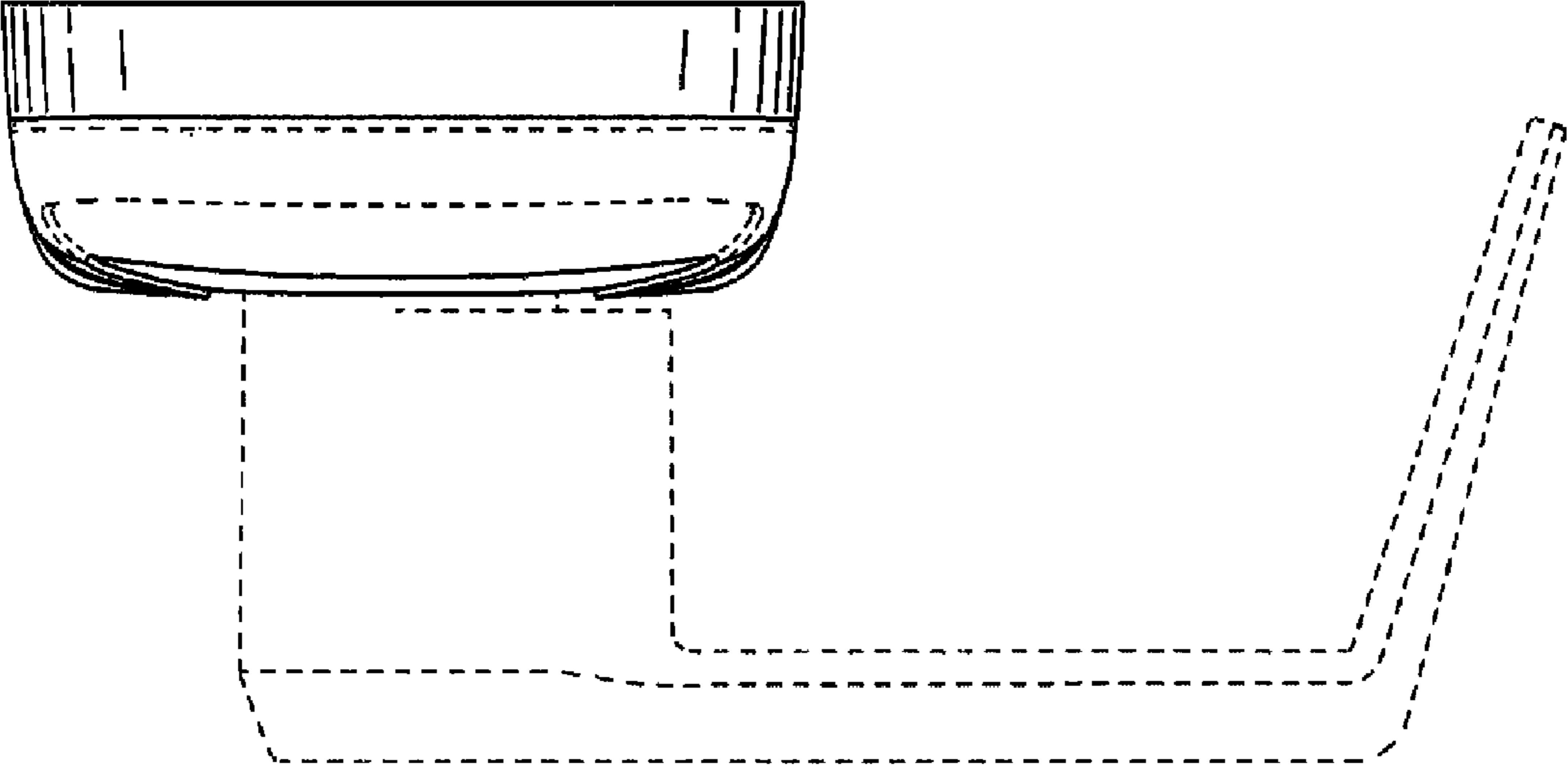


FIG. 6