

US00D660127S

(12) **United States Design Patent**
Stuckey et al.

(10) **Patent No.:** **US D660,127 S**

(45) **Date of Patent:** **** May 22, 2012**

(54) **HANDLE**

(75) Inventors: **David Martin Stuckey**, Eaglemont (AU); **Marc Fraser**, Doncaster East (AU)

(73) Assignee: **David Stuckey Investments Pty Ltd** (AU)

(**) Term: **14 Years**

(21) Appl. No.: **29/392,261**

(22) Filed: **May 19, 2011**

(30) **Foreign Application Priority Data**

Nov. 19, 2010 (AU) 15078/2010

(51) **LOC (9) Cl.** **08-06**

(52) **U.S. Cl.** **D8/302**

(58) **Field of Classification Search** D8/300, D8/301, 302, 306, 307, 308, 321, 338, 331, D8/341, 400; 70/207, 208; 292/336.3, DIG. 31, 292/347; 16/110.1, 412

See application file for complete search history.

(56) **References Cited**

U.S. PATENT DOCUMENTS

D230,566	S *	3/1974	Harrell	D8/302
5,408,853	A *	4/1995	Yamada	70/210
5,862,690	A *	1/1999	Jancsek	70/224
6,029,498	A *	2/2000	Walters et al.	73/23.39
6,068,308	A *	5/2000	Molzer	292/336.3
6,318,770	B1 *	11/2001	Molzer	292/336.3
6,363,577	B1 *	4/2002	Spitzley	292/336.3
6,494,509	B2 *	12/2002	Molzer	292/336.3
6,527,307	B2 *	3/2003	Welsh et al.	292/70

6,662,605	B2 *	12/2003	Molzer	70/210
7,159,909	B1 *	1/2007	Hung	292/336.3
D562,668	S	2/2008	Stuckey		
7,431,357	B2 *	10/2008	Pudney	292/336.3
D585,264	S	1/2009	Stuckey		
D585,722	S	2/2009	Stuckey		
D585,723	S	2/2009	Stuckey		
D590,694	S	4/2009	Stuckey		
D593,397	S *	6/2009	Stuckey	D8/321
D607,304	S	1/2010	Stuckey		
7,665,335	B2	2/2010	Stuckey		
D634,180	S *	3/2011	Stuckey	D8/321
8,042,845	B2 *	10/2011	Tanimoto et al.	292/336.3
D649,003	S *	11/2011	Stuckey	D8/302
D649,014	S *	11/2011	Stuckey	D8/343

* cited by examiner

Primary Examiner — Paula Greene

(74) *Attorney, Agent, or Firm* — Craig A. Fieschko, Esq.; DeWitt Ross & Stevens S.C.

(57) **CLAIM**

We claim the ornamental design for a handle, as shown and described.

DESCRIPTION

FIG. 1 is a top perspective view of a handle, as seen from the front and right of the handle;

FIG. 2 is a bottom perspective view of the handle, as seen from the front and left of the handle;

FIG. 3 is a bottom perspective view of the handle, as seen from the rear and right of the handle;

FIG. 4 is a top plan view thereof;

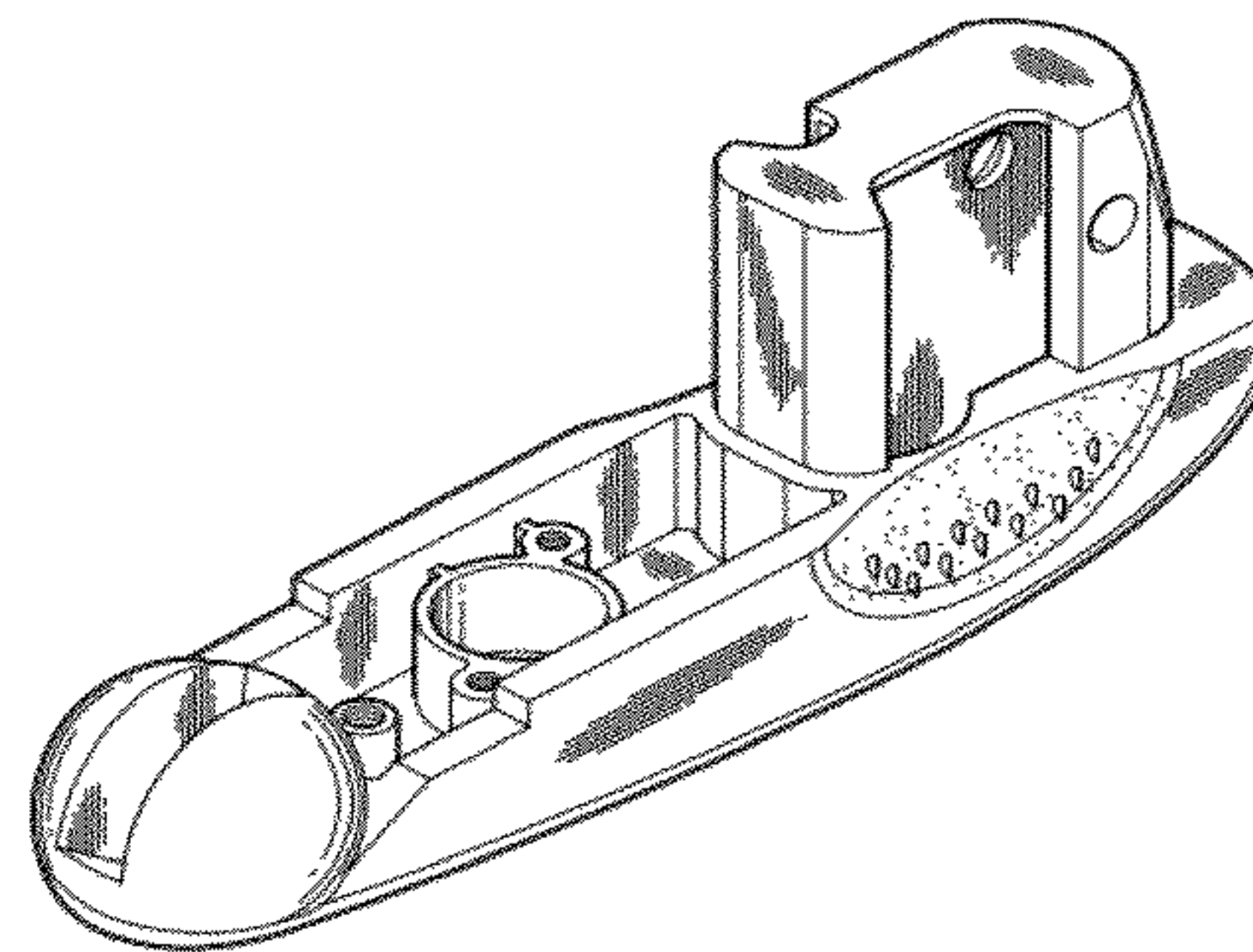
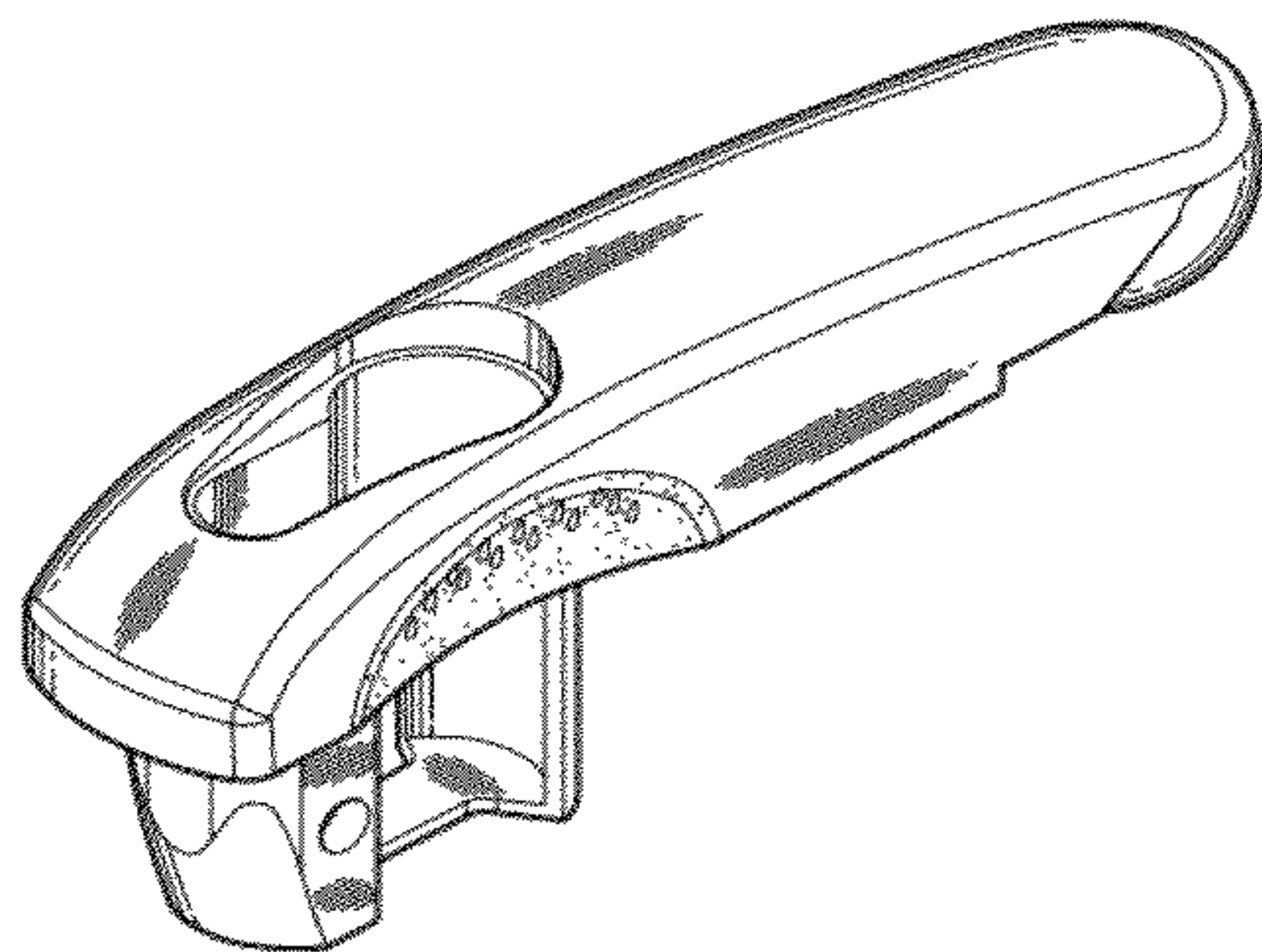
FIG. 5 is a bottom plan view thereof;

FIG. 6 is a front side elevational view thereof;

FIG. 7 is a rear side elevational view thereof; and,

FIG. 8 is a right side elevational view thereof.

1 Claim, 3 Drawing Sheets



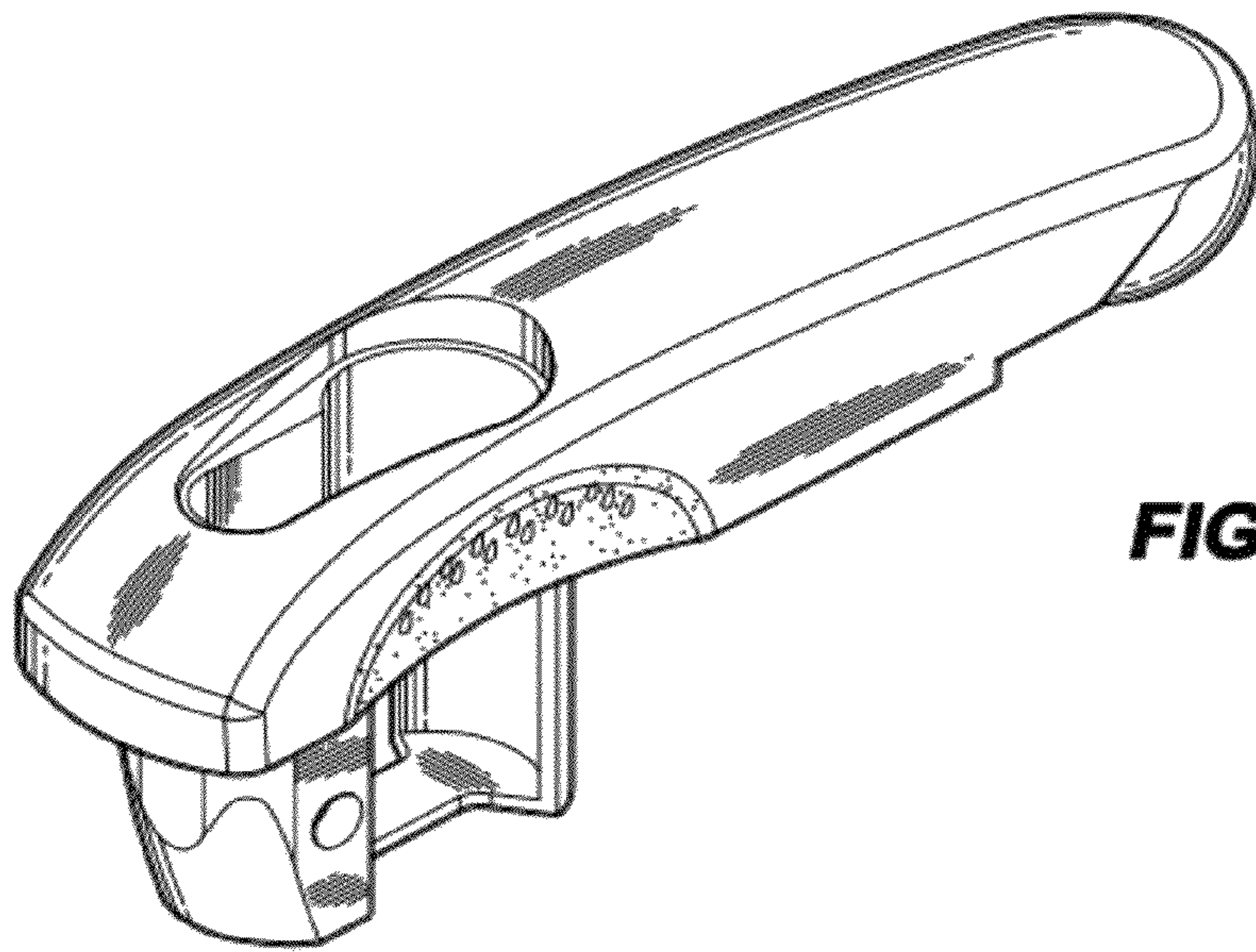


FIG. 1

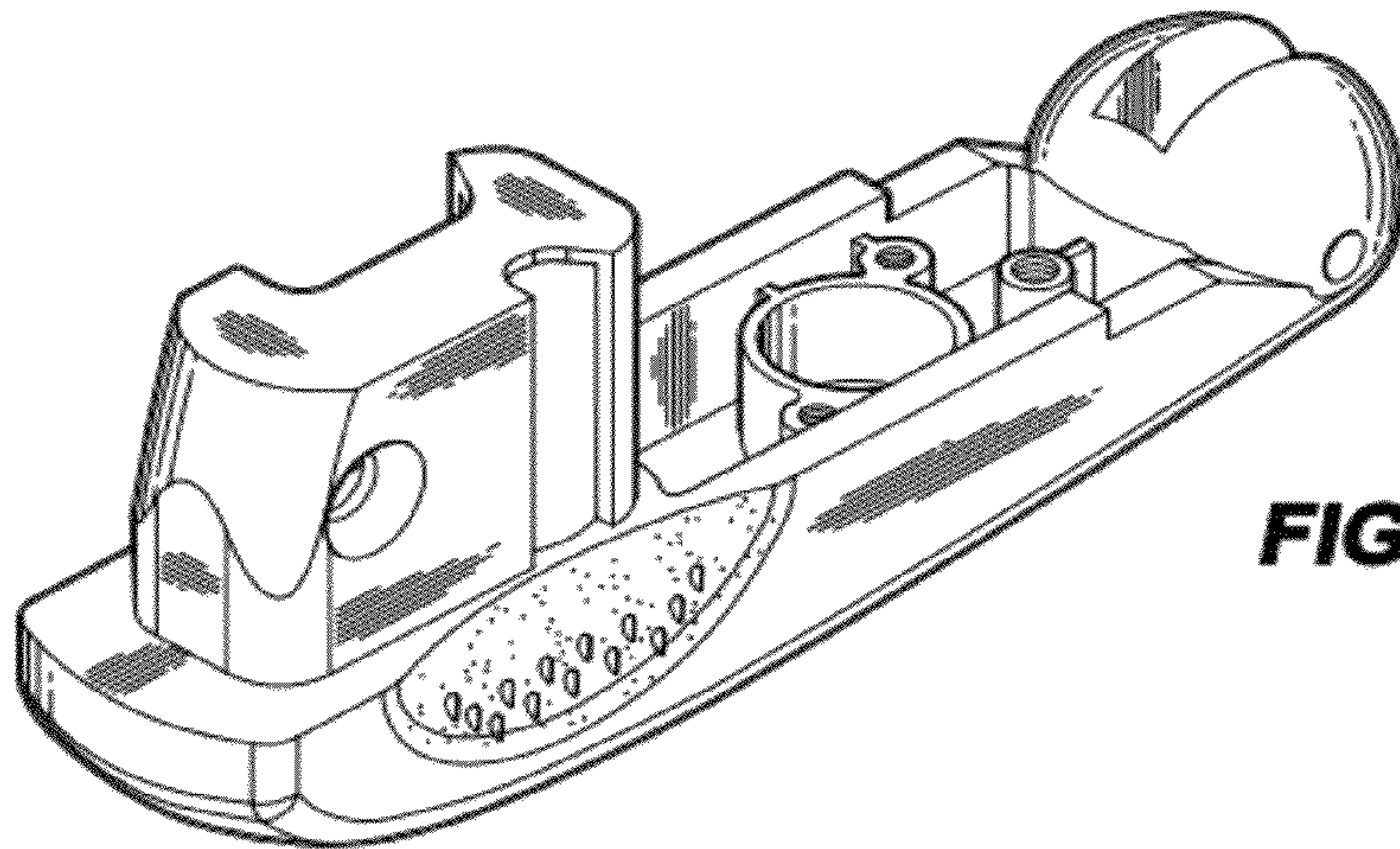


FIG. 2

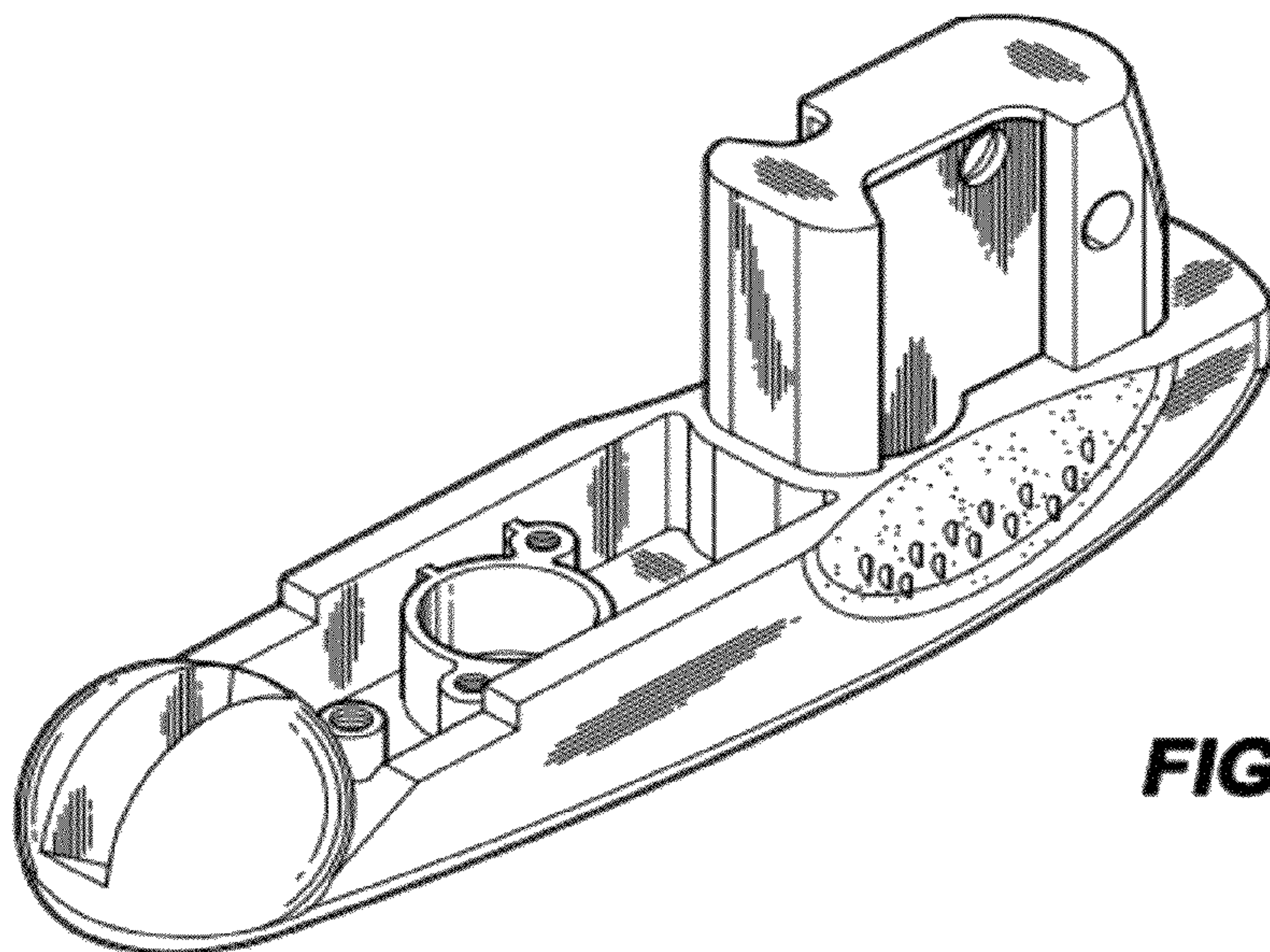


FIG. 3

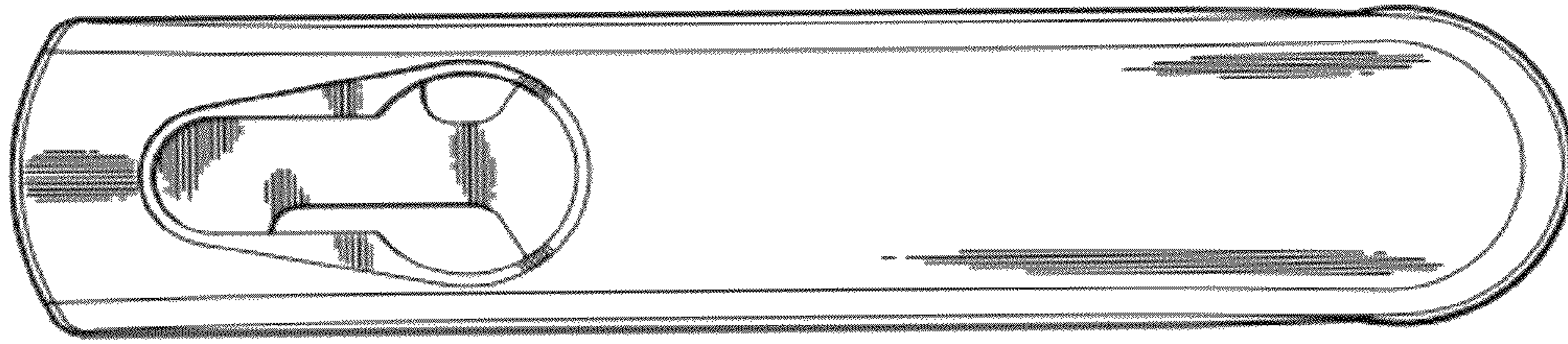


FIG. 4

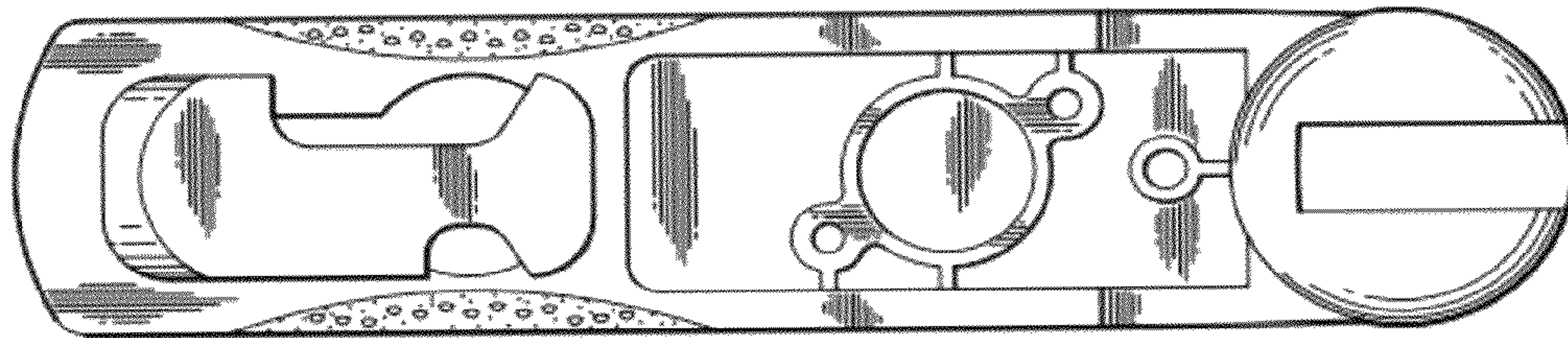


FIG. 5

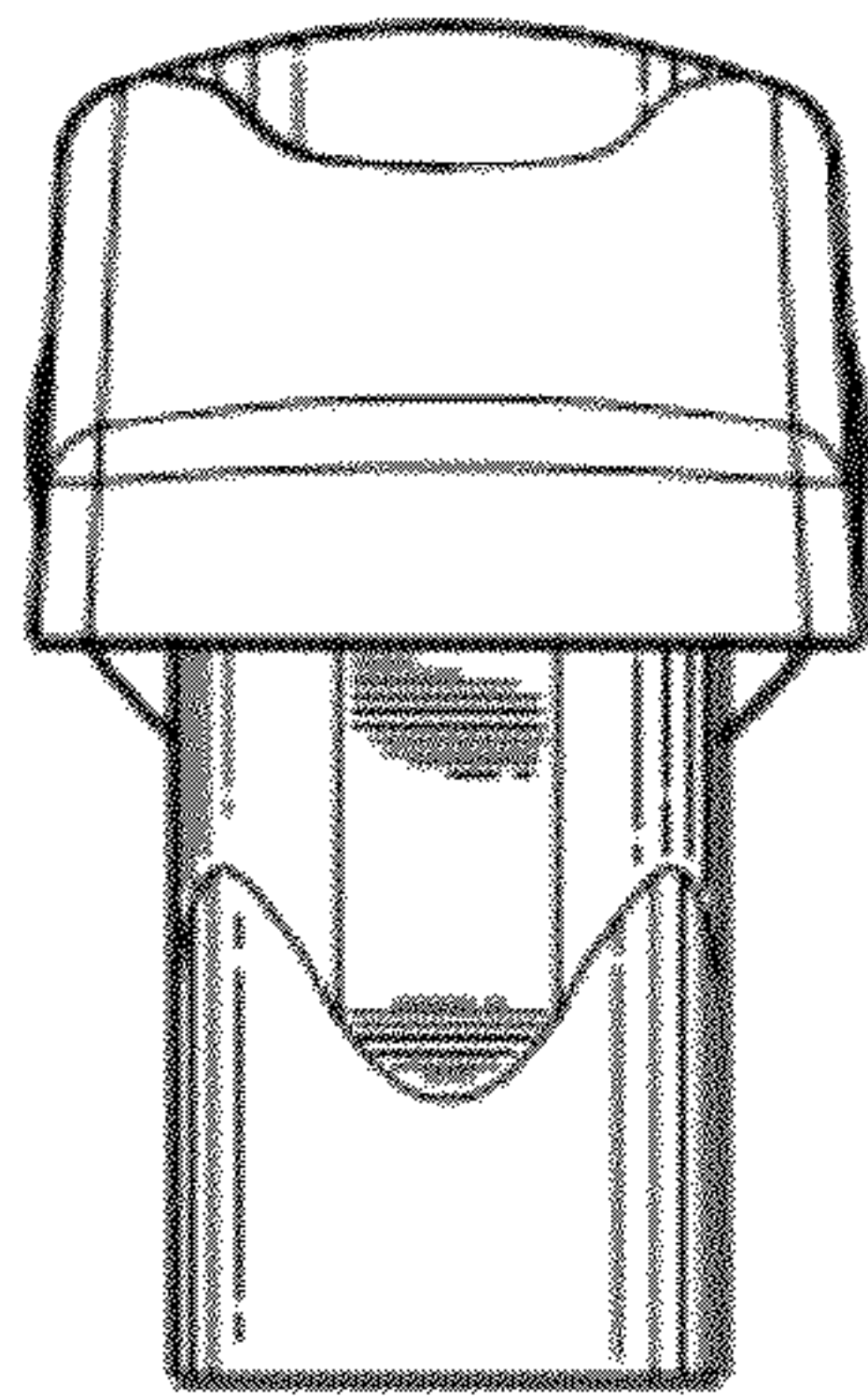


FIG. 6

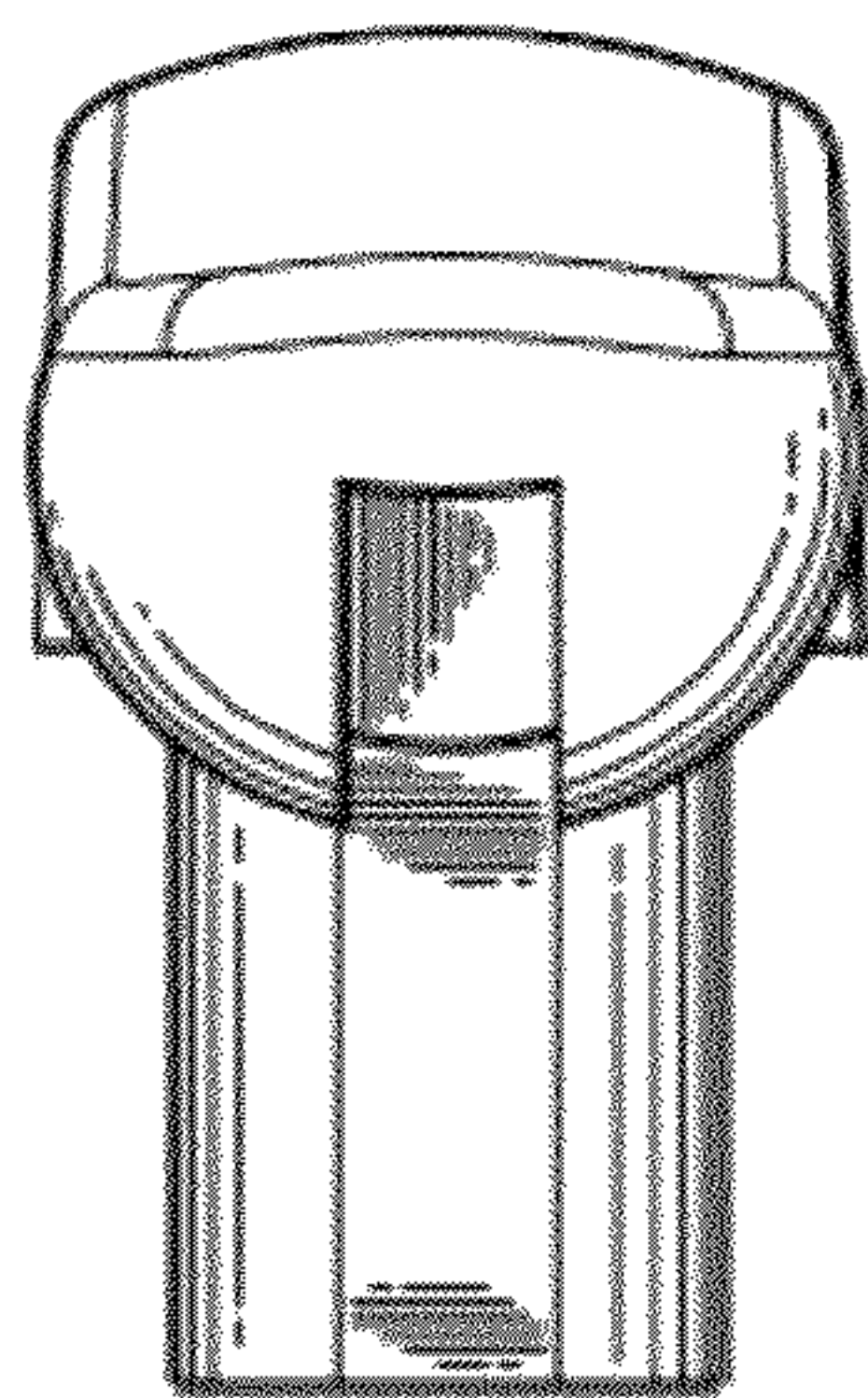


FIG. 7

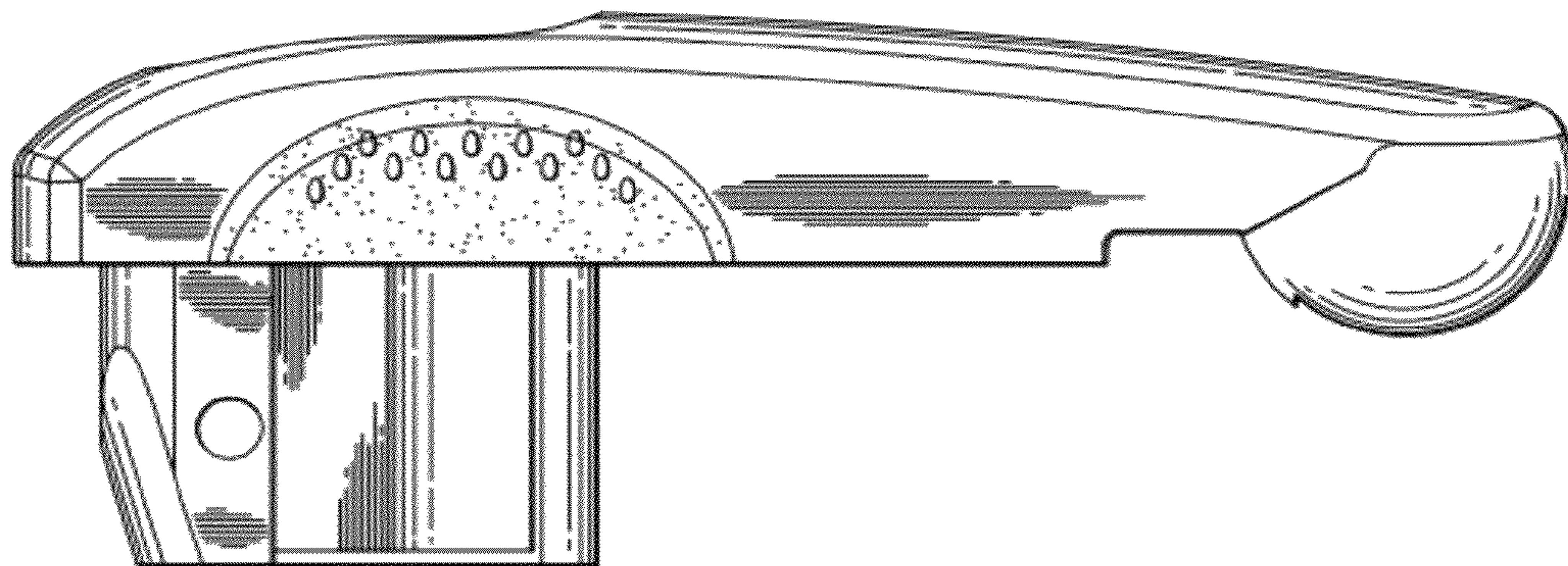


FIG. 8