



US00D660120S

(12) **United States Design Patent**
Tajik et al.

(10) **Patent No.:** **US D660,120 S**

(45) **Date of Patent:** **** May 22, 2012**

(54) **CHAINSAW**

(75) Inventors: **Reza Tajik**, Jönköping (SE); **Christian Hellgren**, Jönköping (SE)

(73) Assignee: **Husqvarna Aktiebolag**, Huskvarna (SE)

(**) Term: **14 Years**

(21) Appl. No.: **29/350,017**

(22) Filed: **Nov. 10, 2009**

(30) **Foreign Application Priority Data**

May 11, 2009 (EM) 001508292

(51) **LOC (9) Cl.** **08-03**

(52) **U.S. Cl.** **D8/65**

(58) **Field of Classification Search** D8/65,
D8/7, 8, 9, 70, 66, 67, 62, 63, 64, 61, 91;
30/386, 383, 382, 371, 123, 381; 125/21;
D21/532; 83/832, 833, 834; 123/185.3
See application file for complete search history.

(56) **References Cited**

U.S. PATENT DOCUMENTS

5,006,740	A *	4/1991	Palm	310/50
D326,987	S *	6/1992	Lilja et al.	D8/65
D327,832	S *	7/1992	Lilja et al.	D8/71
5,168,837	A *	12/1992	Scholz	123/41.7
5,287,832	A *	2/1994	Uhl	123/185.3
D364,326	S *	11/1995	Lohse et al.	D8/65
D377,441	S *	1/1997	Hoppner et al.	D8/65
5,984,054	A *	11/1999	Martinsson	188/77 R
5,992,025	A *	11/1999	Fricke	30/381
6,152,089	A *	11/2000	Neumann et al.	123/41.7
6,578,543	B2 *	6/2003	Radel	123/198 E
7,096,859	B2 *	8/2006	Hamisch et al.	123/543

7,162,988	B1 *	1/2007	Liao	123/185.14
D549,537	S *	8/2007	Harada et al.	D8/65
7,311,067	B2 *	12/2007	Riehmman	123/41.7
D563,747	S *	3/2008	Tinius	D8/65
7,367,409	B2 *	5/2008	Stones	173/170
D573,860	S *	7/2008	Shimokawa et al.	D8/65
D576,005	S *	9/2008	Shimokawa et al.	D8/65
D577,557	S *	9/2008	Shimokawa et al.	D8/65
D580,724	S *	11/2008	Tinius	D8/65
D606,829	S *	12/2009	Tinius	D8/65
D607,292	S *	1/2010	Tinius	D8/65
D607,293	S *	1/2010	Tinius	D8/65
7,699,902	B2 *	4/2010	Ohsawa et al.	55/385.1
D615,836	S *	5/2010	Kosugi et al.	D8/65
D633,353	S *	3/2011	Tinius	D8/65
D633,766	S *	3/2011	Tinius	D8/65
7,900,661	B2 *	3/2011	Thorson et al.	144/136.95
7,905,261	B2 *	3/2011	Hamisch et al.	150/157
D636,652	S *	4/2011	Mehra	D8/65

* cited by examiner

Primary Examiner — Austin Murphy

(74) *Attorney, Agent, or Firm* — Moore & Van Allen PLLC

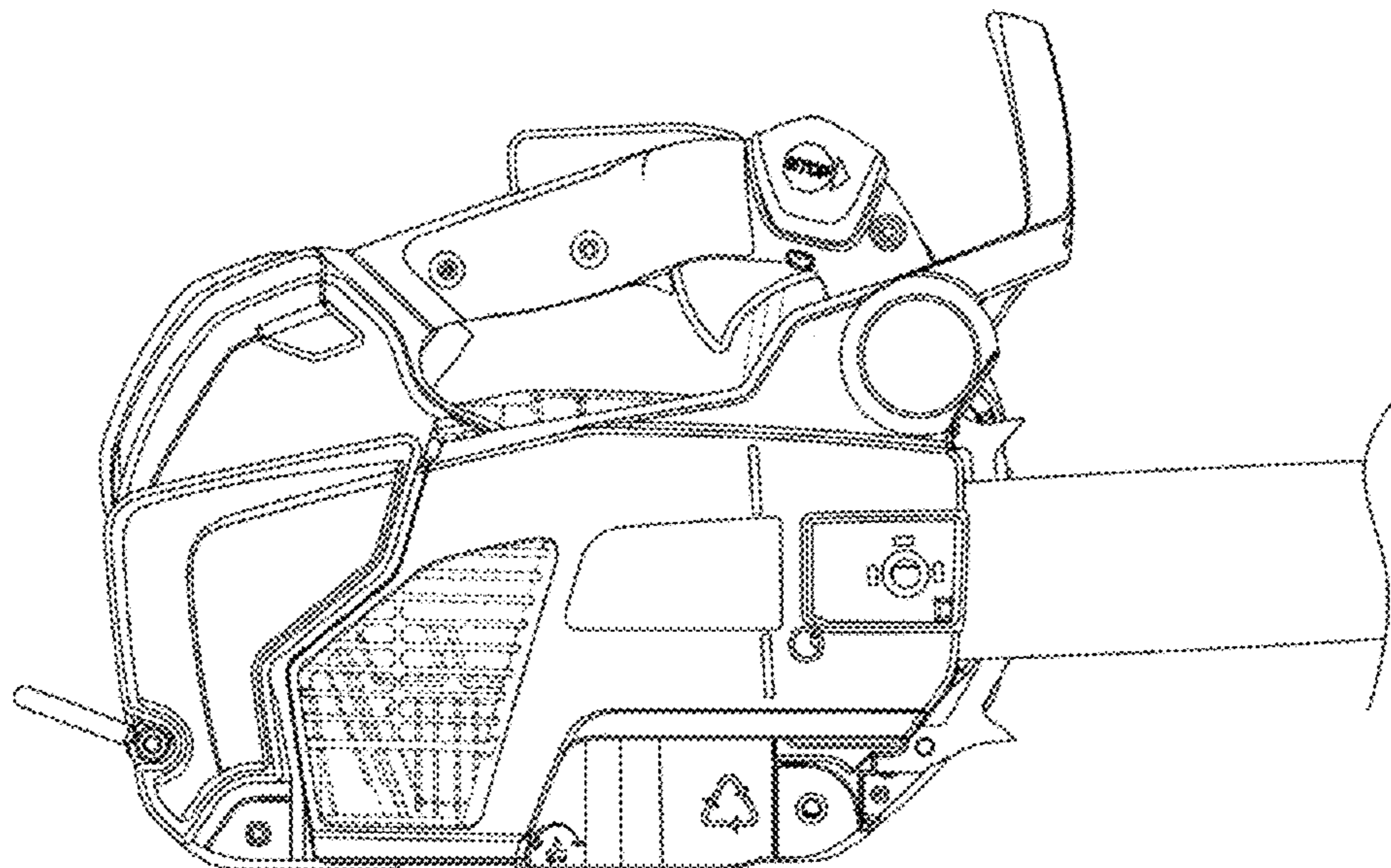
(57) **CLAIM**

The ornamental design for a chainsaw, as shown and described.

DESCRIPTION

FIG. 1 is a perspective view of our new design for a chainsaw. FIG. 2 is a top plan view of the chainsaw of FIG. 1. FIG. 3 is a bottom plan view of the chainsaw of FIG. 1. FIG. 4 is a right side view of the chainsaw of FIG. 1. FIG. 5 is a left side view of the chainsaw of FIG. 1. FIG. 6 is a front view of the chainsaw of FIG. 1; and, FIG. 7 is a rear view of the chainsaw of FIG. 1. The broken lines shown in the drawings represent portions of the chainsaw that form no part of the claimed design.

1 Claim, 7 Drawing Sheets



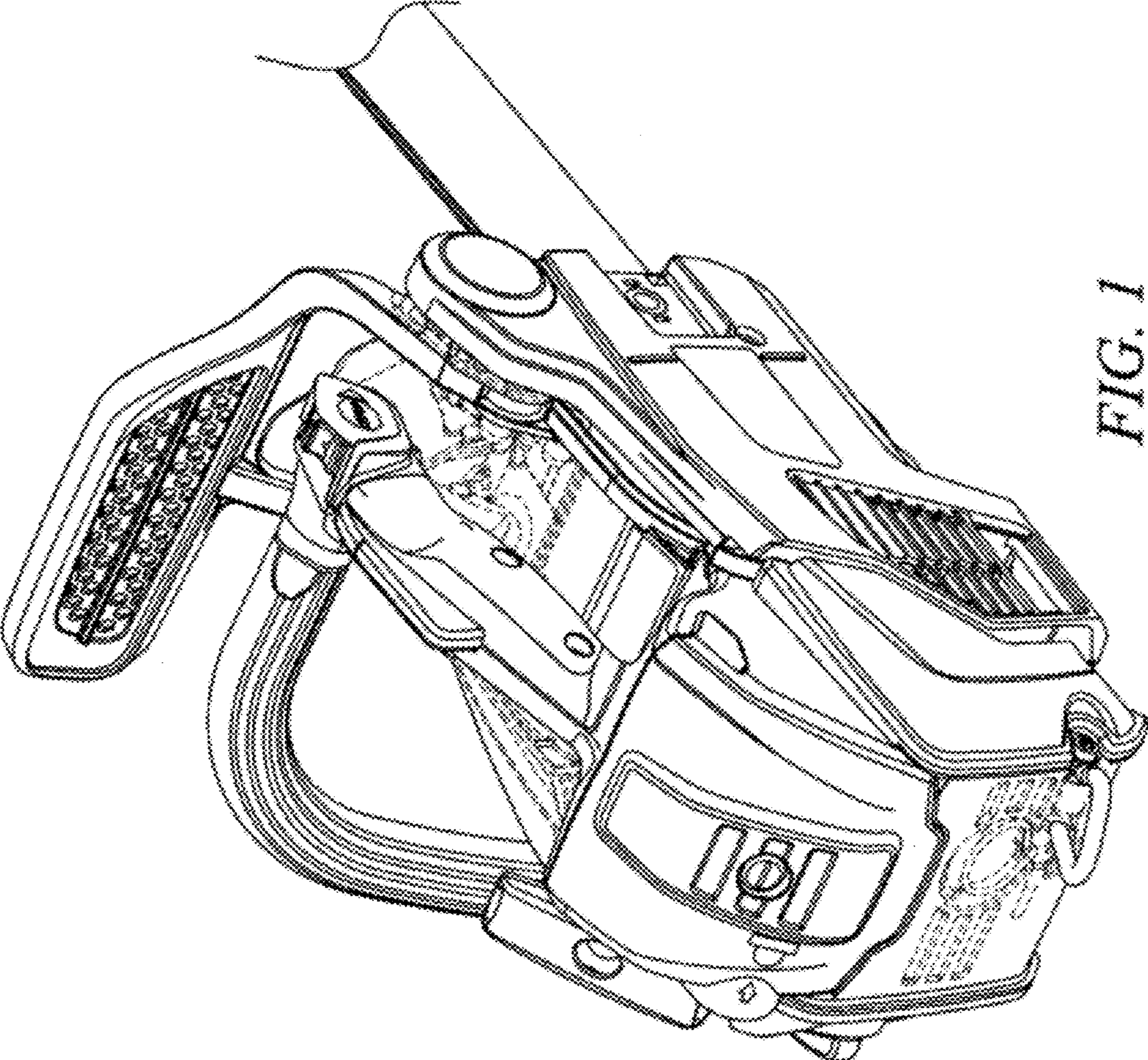


FIG. 1

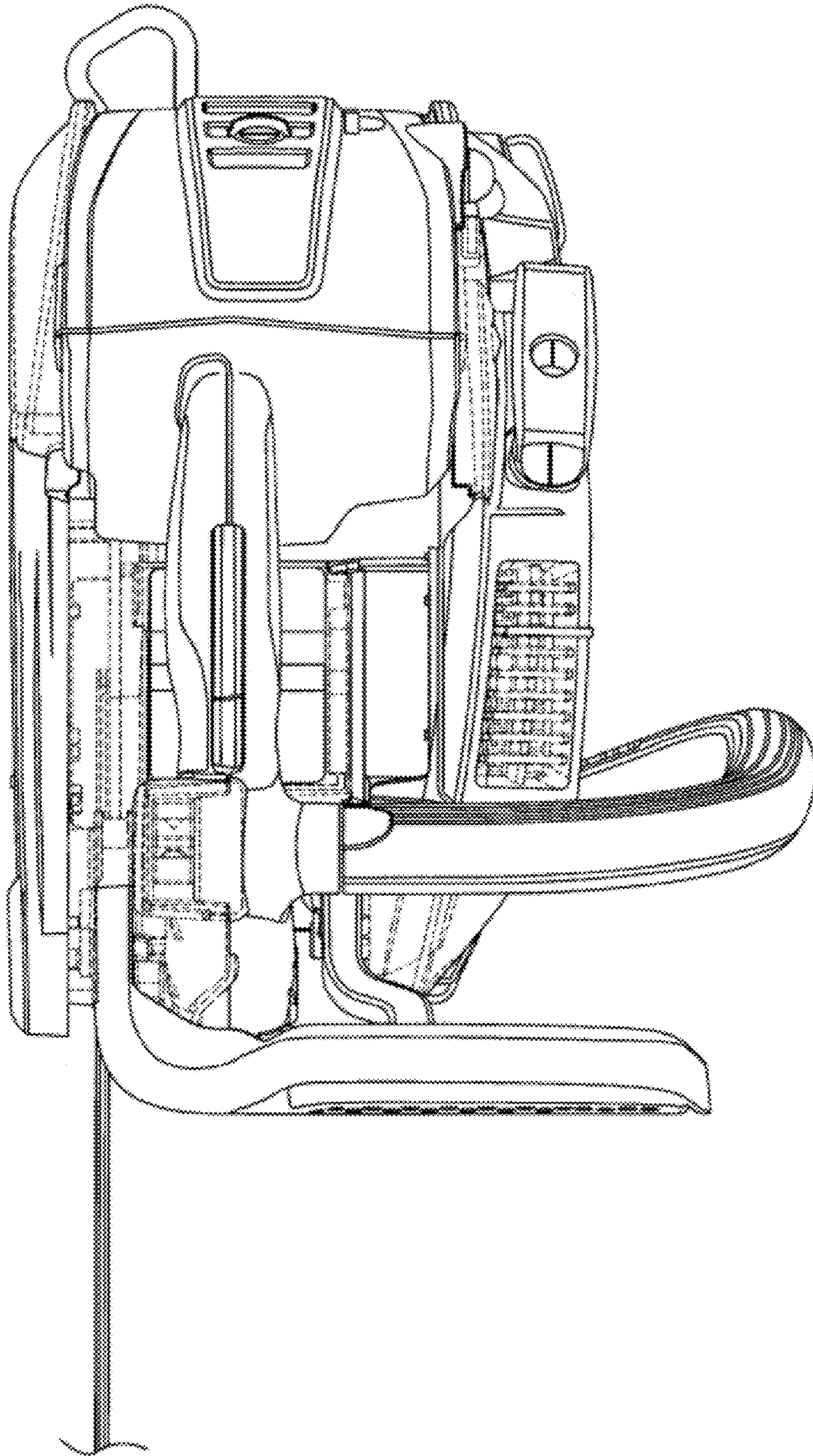


FIG. 2

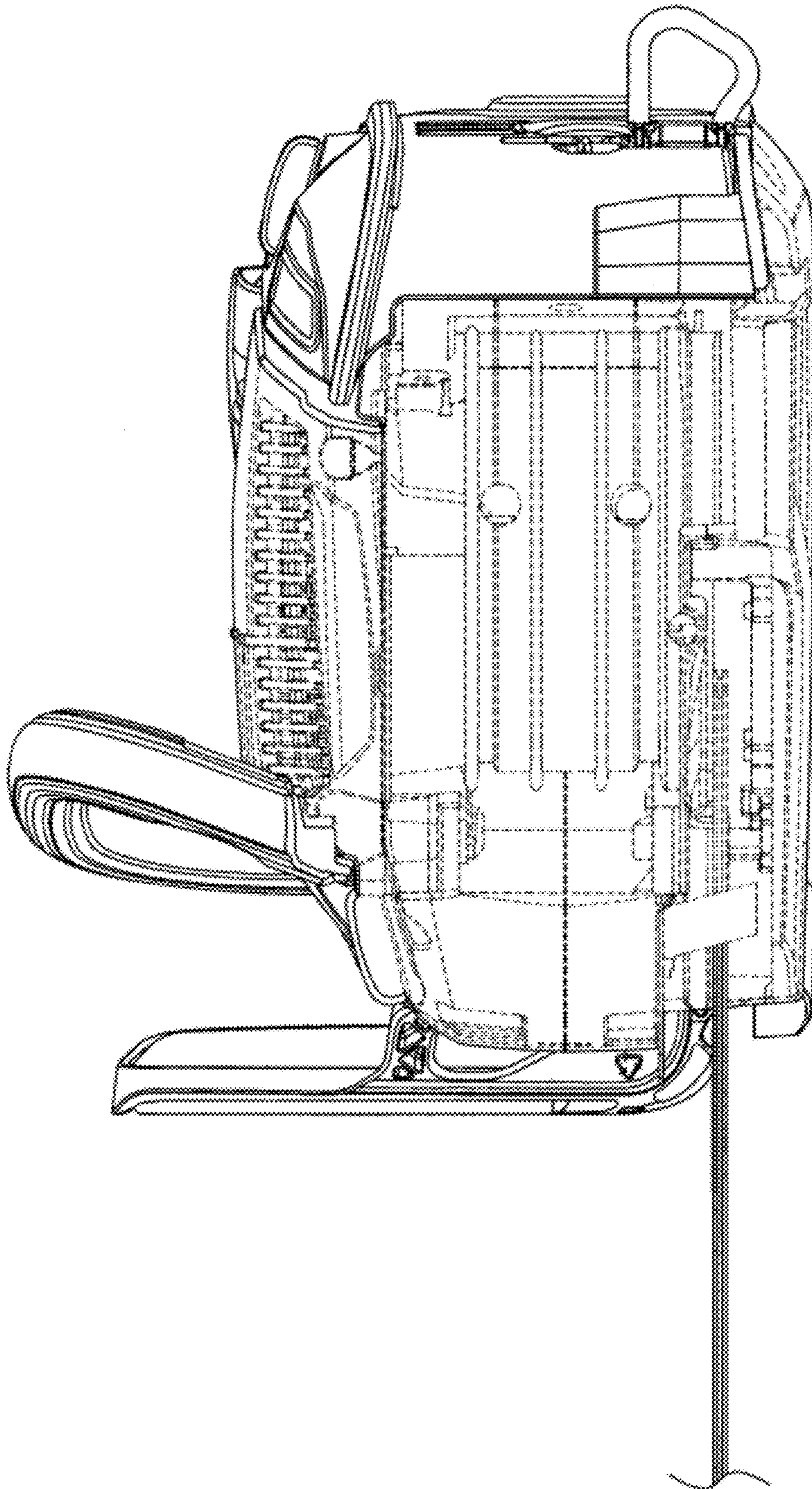


FIG. 3

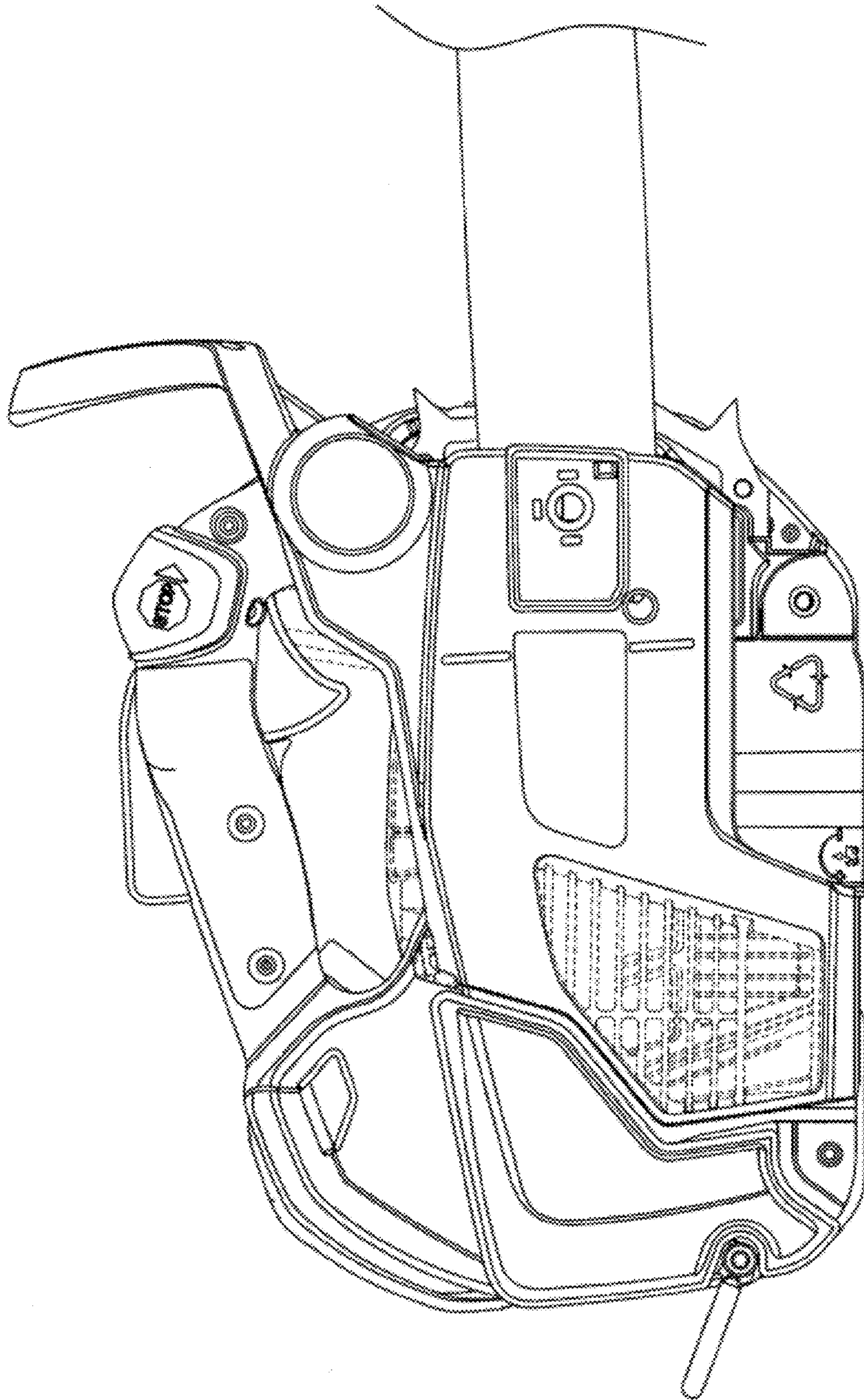


FIG. 4

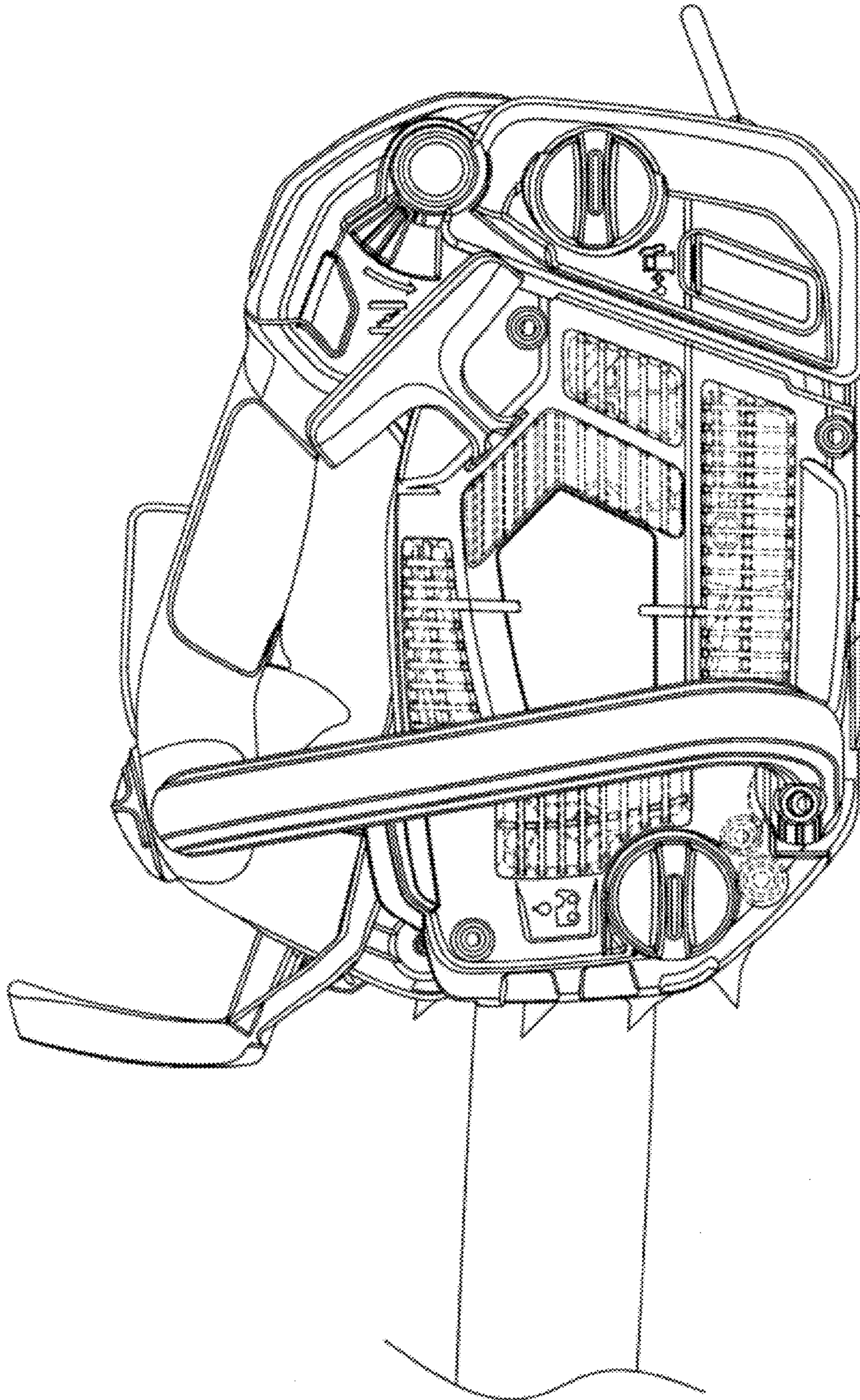


FIG. 5

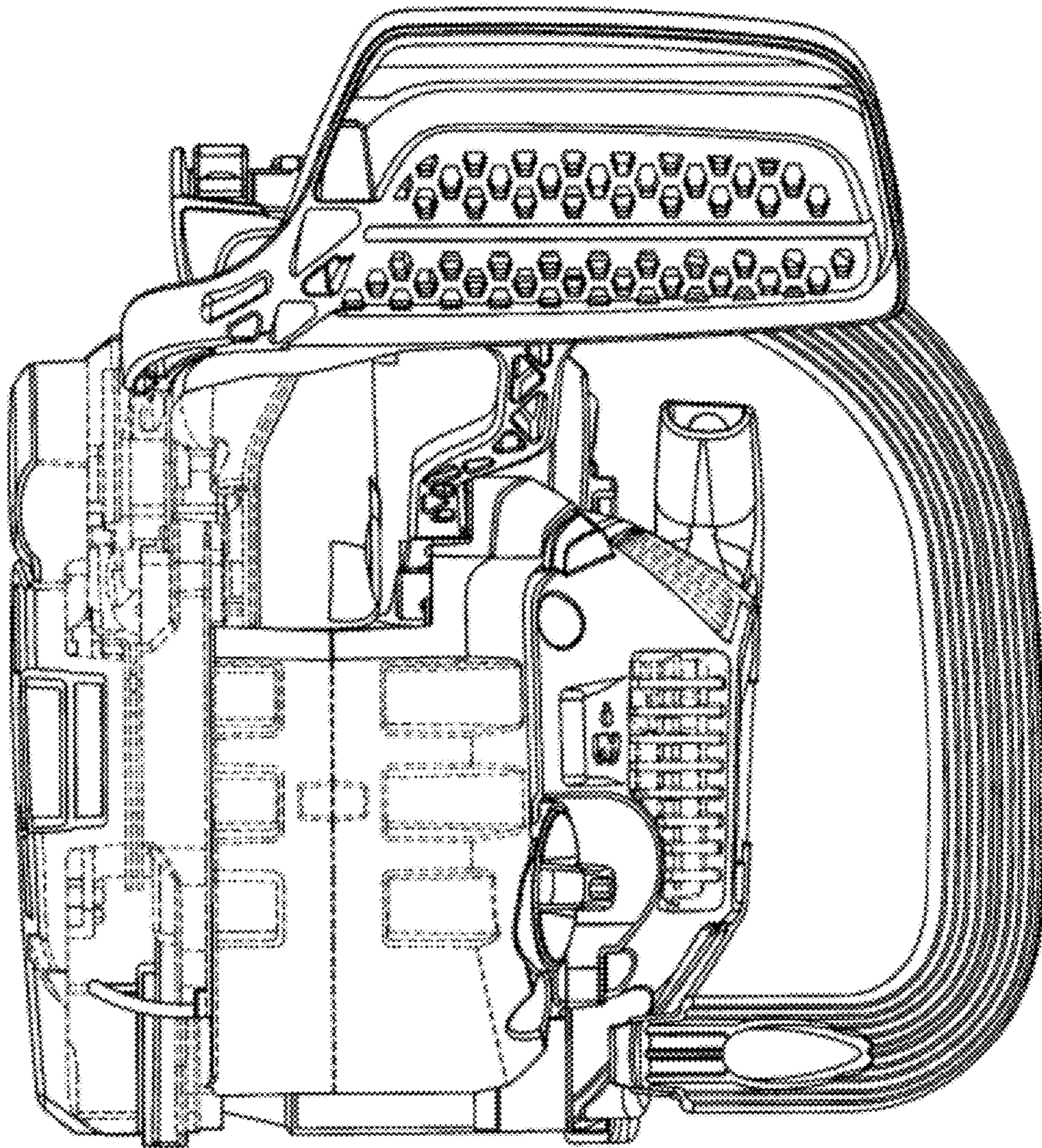


FIG. 6

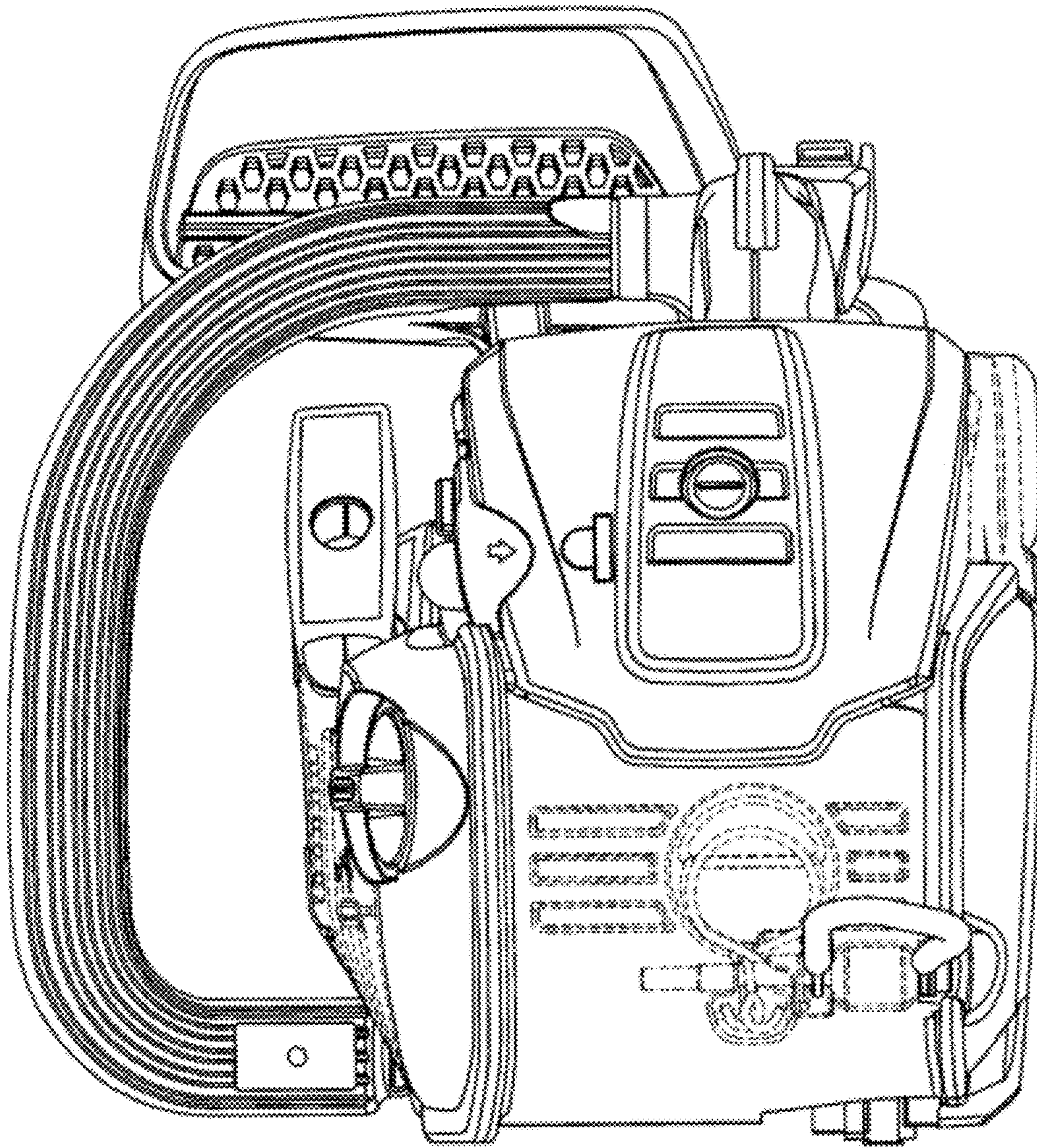


FIG. 7