



US00D660119S

(12) **United States Design Patent**
Fukumoto et al.

(10) **Patent No.:** **US D660,119 S**
(45) **Date of Patent:** **** May 22, 2012**

(54) **PORTABLE ELECTRIC GRINDER**

(75) Inventors: **Tadashi Fukumoto**, Aichi (JP);
Hideharu Muto, Aichi (JP); **Naohiro Hayakawa**, Aichi (JP)

(73) Assignee: **Makita Corporation**, Anjo-shi (JP)

(**) Term: **14 Years**

(21) Appl. No.: **29/403,769**

(22) Filed: **Oct. 11, 2011**

(30) **Foreign Application Priority Data**

Jun. 17, 2011 (JP) 2011-013763
Jun. 17, 2011 (JP) 2011-013764

(51) **LOC (9) Cl.** **08-01**

(52) **U.S. Cl.** **D8/62**

(58) **Field of Classification Search** D32/15,
D32/17, 19; D8/67, 62, 61; D4/102; 451/456,
451/451, 359, 358, 357, 356, 355, 354, 353,
451/351, 344; 310/50; 173/170
See application file for complete search history.

(56) **References Cited**

U.S. PATENT DOCUMENTS

D531,868	S	*	11/2006	Zurwelle	D8/62
D544,326	S	*	6/2007	Sterpka et al.	D8/62
D568,704	S	*	5/2008	Aglassinger	D8/62
D585,713	S	*	2/2009	Boulton et al.	D8/62
D592,026	S		5/2009	Okuda et al.		
D593,826	S	*	6/2009	Aglassinger	D8/62
D605,013	S	*	12/2009	Kokawa et al.	D8/62
D630,075	S	*	1/2011	Wright	D8/62
D634,170	S	*	3/2011	Hu et al.	D8/62
D637,055	S	*	5/2011	Schomisch	D8/62
D637,056	S	*	5/2011	Schomisch	D8/62
D637,057	S	*	5/2011	Schomisch	D8/62
D647,772	S	*	11/2011	Hayakawa	D8/62

FOREIGN PATENT DOCUMENTS

JP D1399581 S 10/2010

* cited by examiner

Primary Examiner — Austin Murphy

(74) *Attorney, Agent, or Firm* — Posz Law Group, PLC

(57) **CLAIM**

The ornamental design for a portable electric grinder, as shown and described.

DESCRIPTION

FIG. 1 is a perspective view of top, front, and left side of a first embodiment of a portable electric grinder showing our new design;

FIG. 2 is a front view thereof;

FIG. 3 is a rear view thereof;

FIG. 4 is a top plan view thereof;

FIG. 5 is a bottom view thereof;

FIG. 6 is a left side view thereof;

FIG. 7 is a right side view thereof; and

FIG. 8 is a perspective view of top, rear, and right side thereof.

FIG. 9 is a perspective view of top, front, and left side of a second embodiment of the portable electric grinder showing our new design;

FIG. 10 is a front view thereof;

FIG. 11 is a rear view thereof;

FIG. 12 is a top plan view thereof;

FIG. 13 is a bottom view thereof;

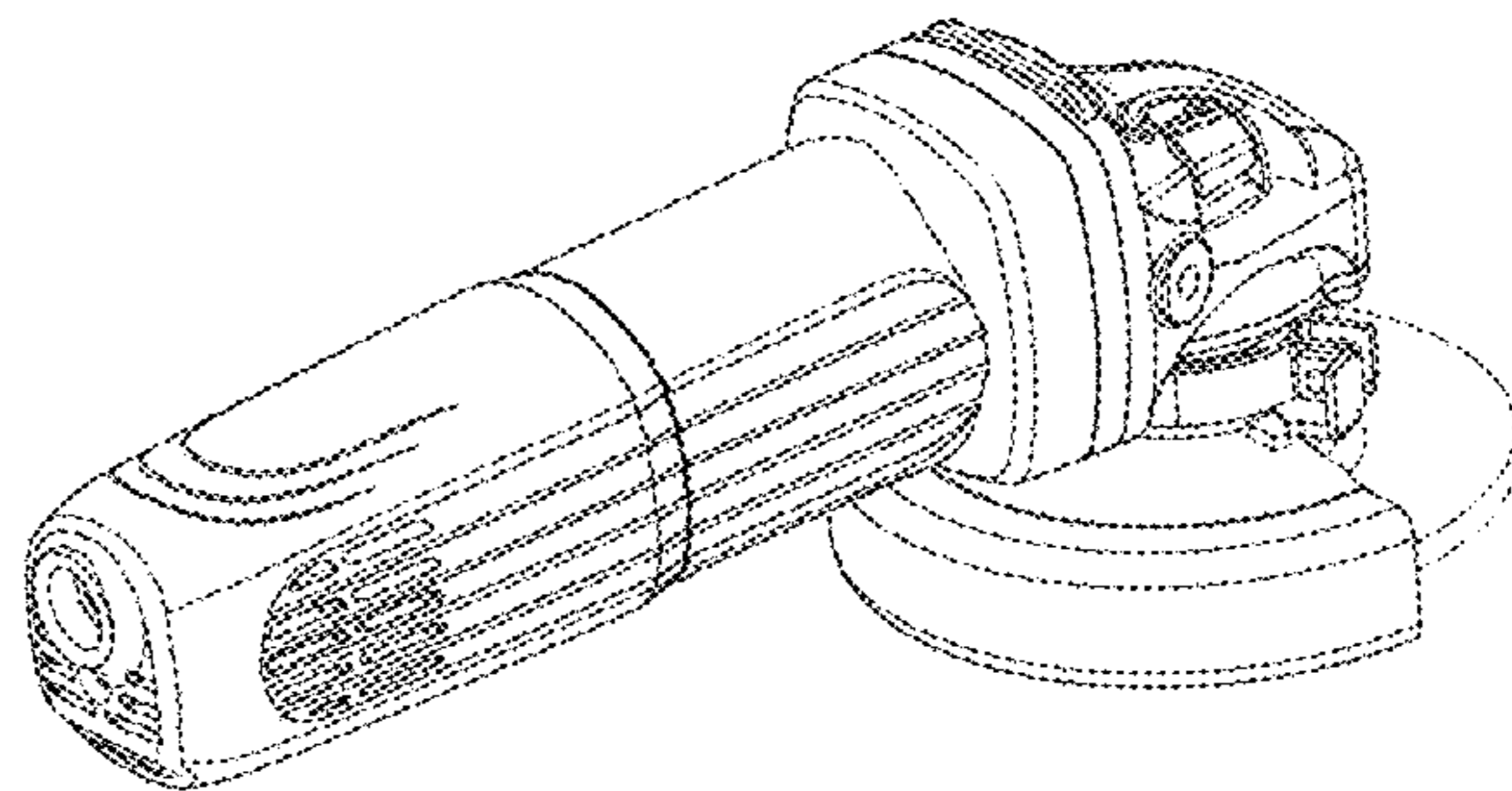
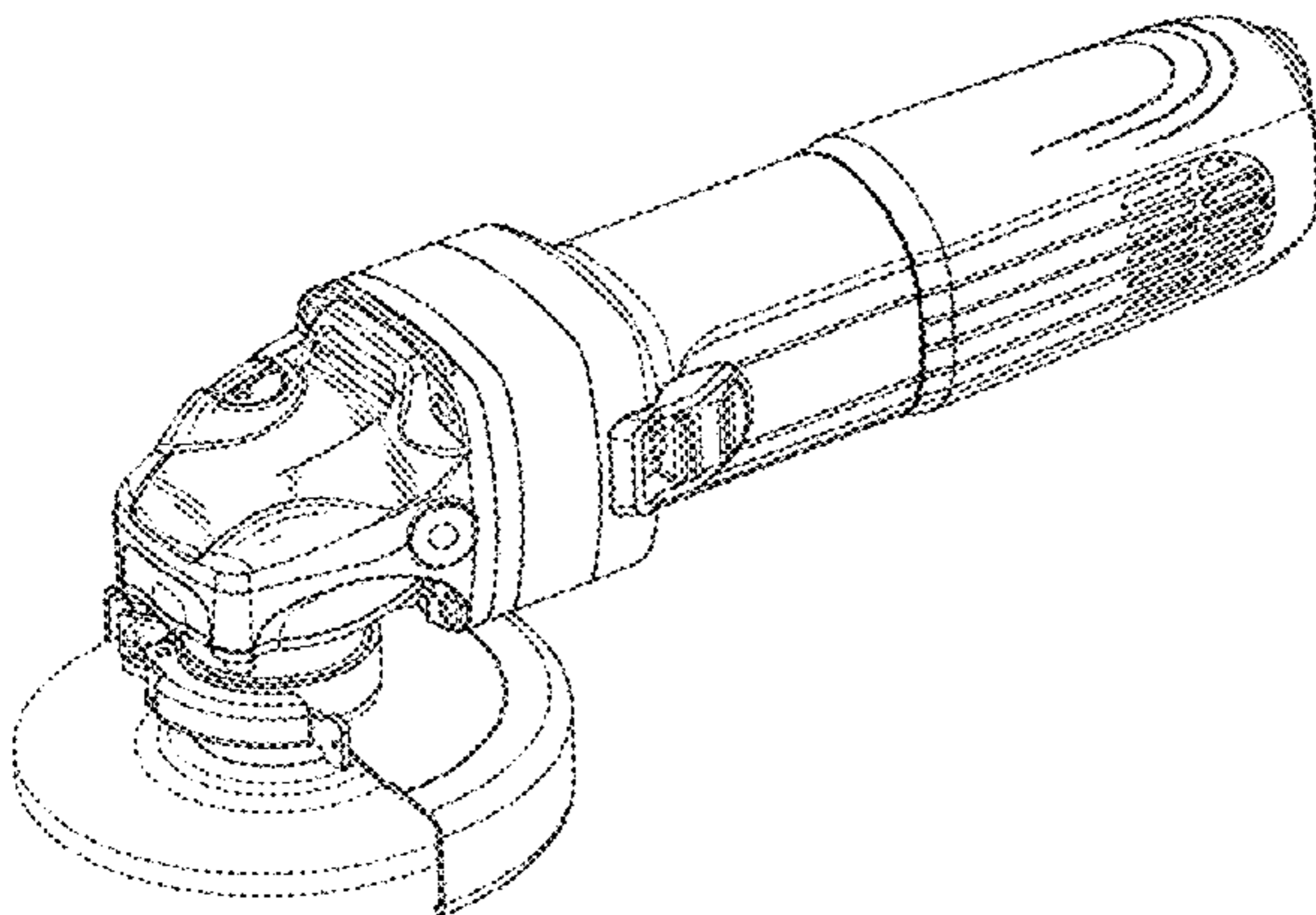
FIG. 14 is a left side view thereof;

FIG. 15 is a right side view thereof; and,

FIG. 16 is a perspective view of top, rear, and right side thereof.

The broken lines and the areas within the broken lines are included for illustrative purposes only and form no part of the claimed design.

1 Claim, 14 Drawing Sheets



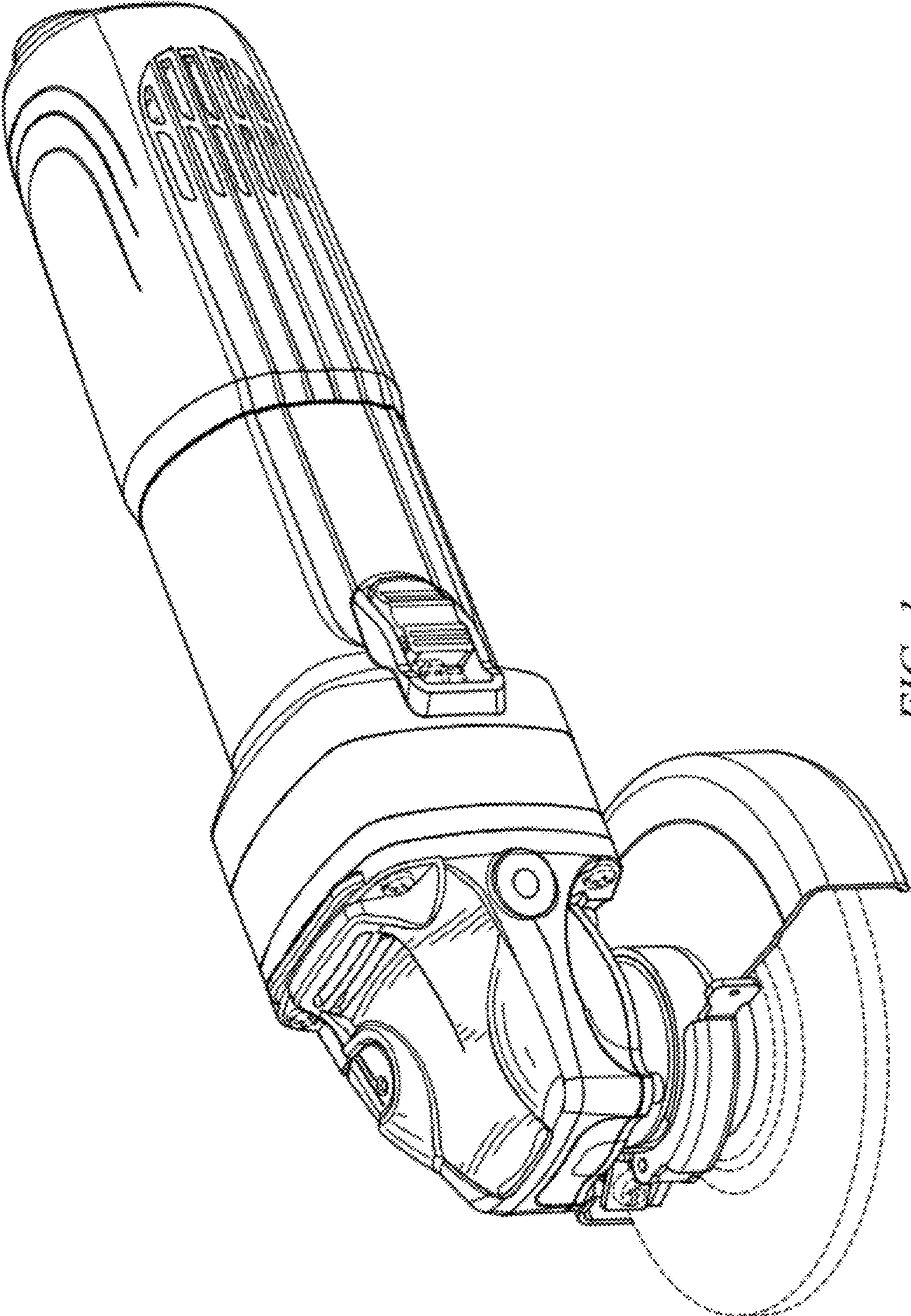


FIG. 1

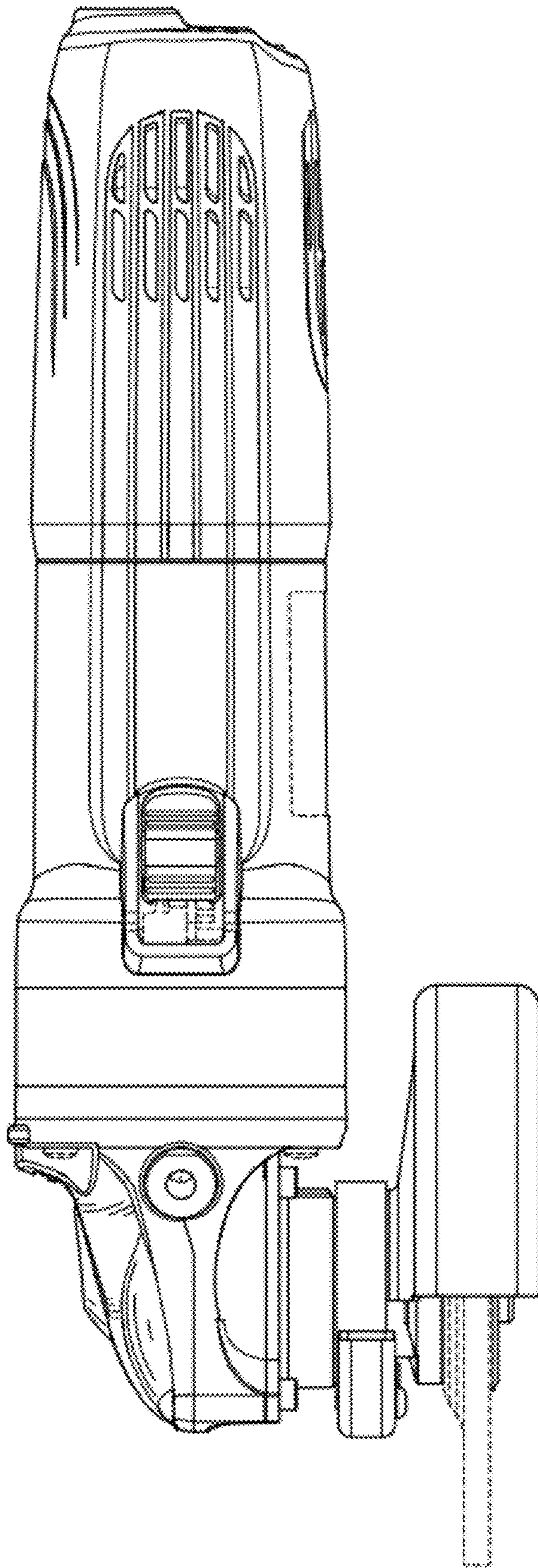


FIG. 2

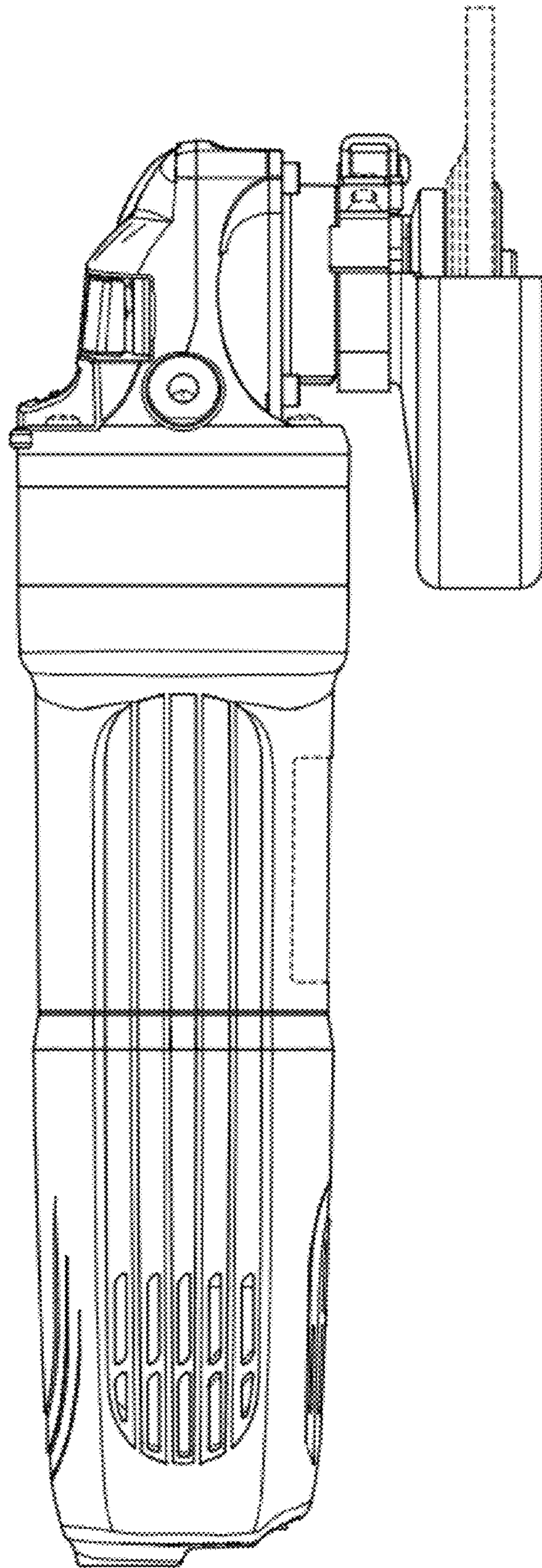


FIG. 3

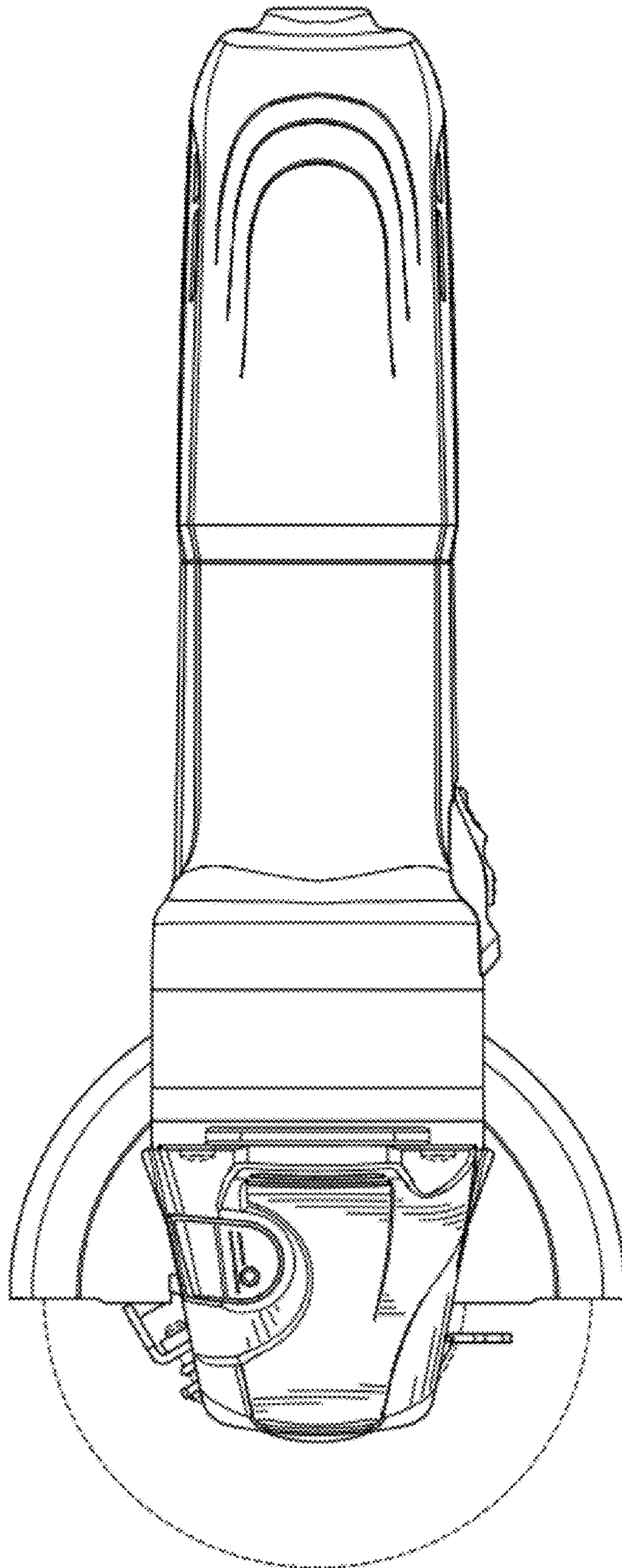


FIG. 4

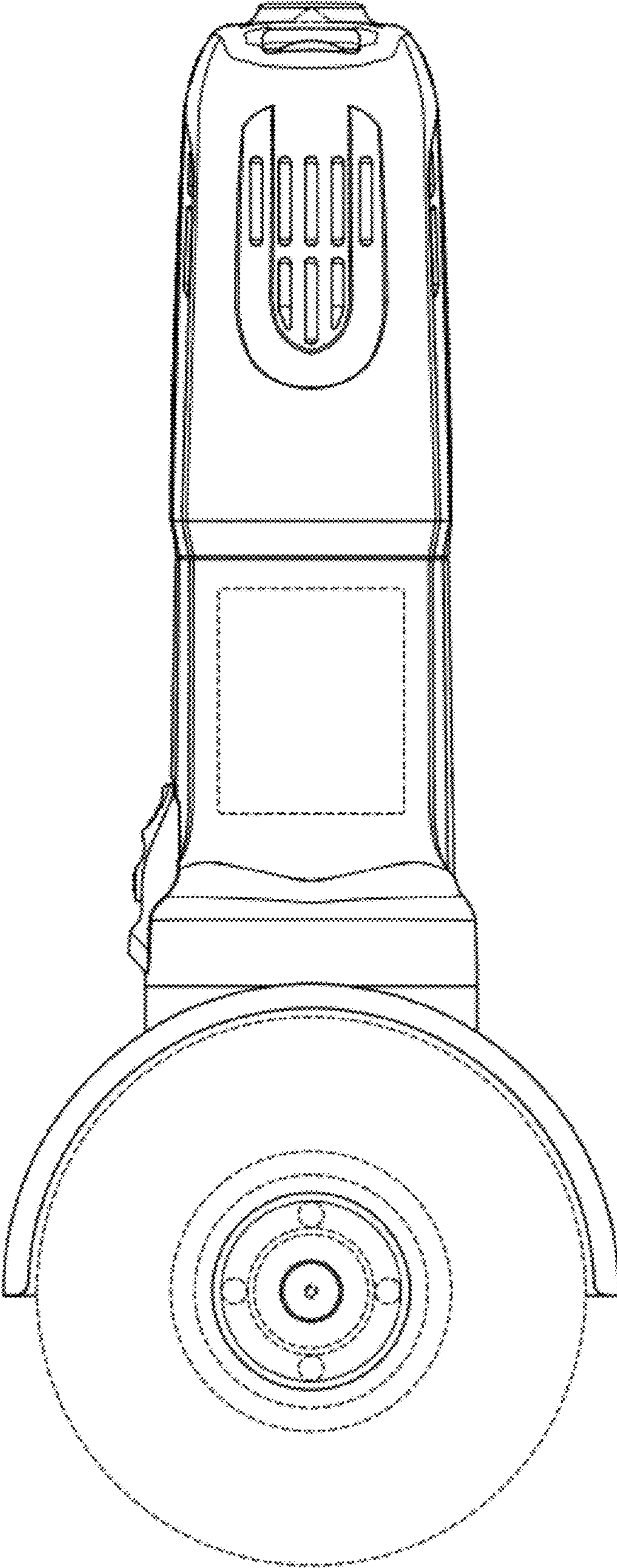


FIG. 5

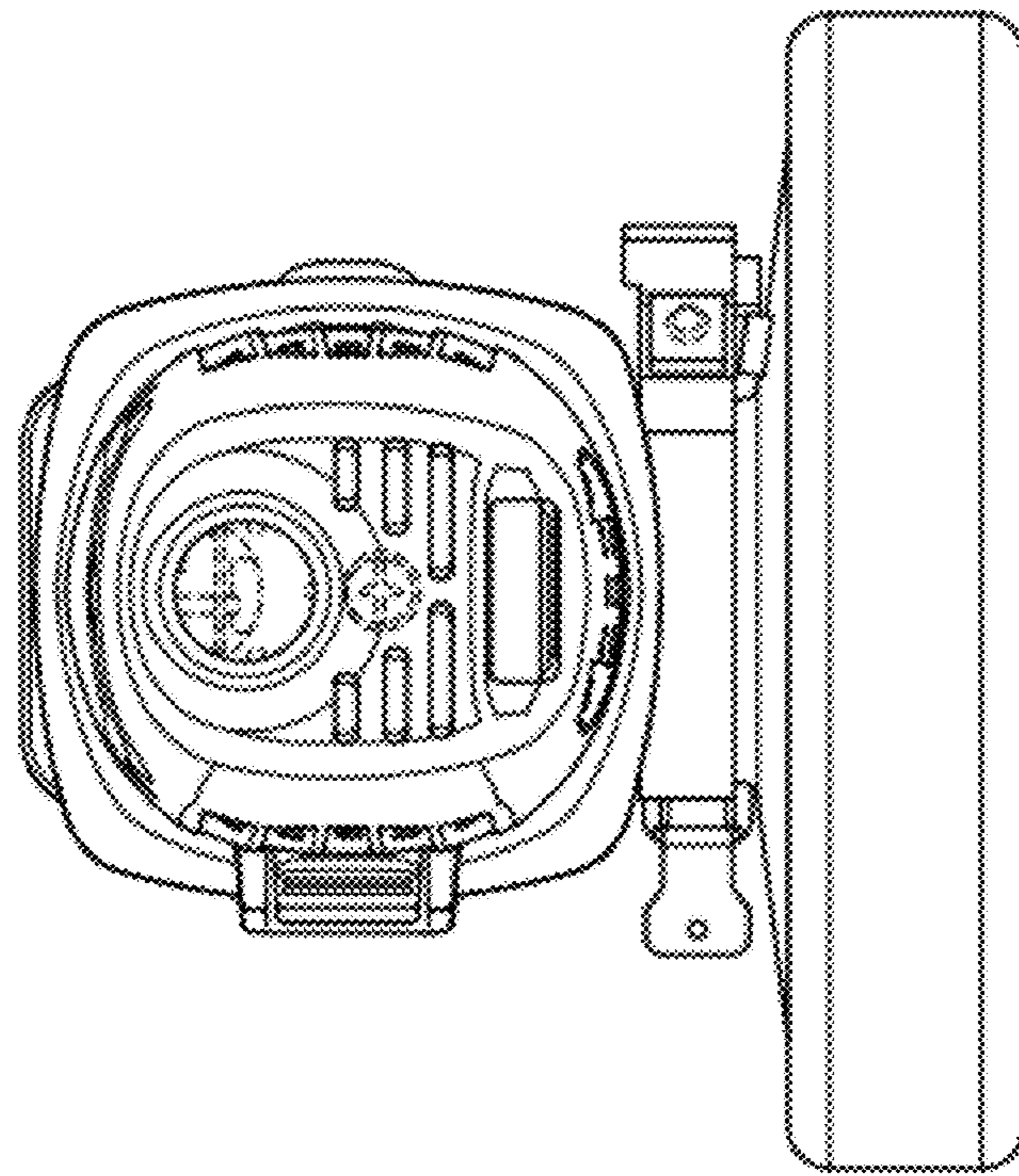


FIG. 7

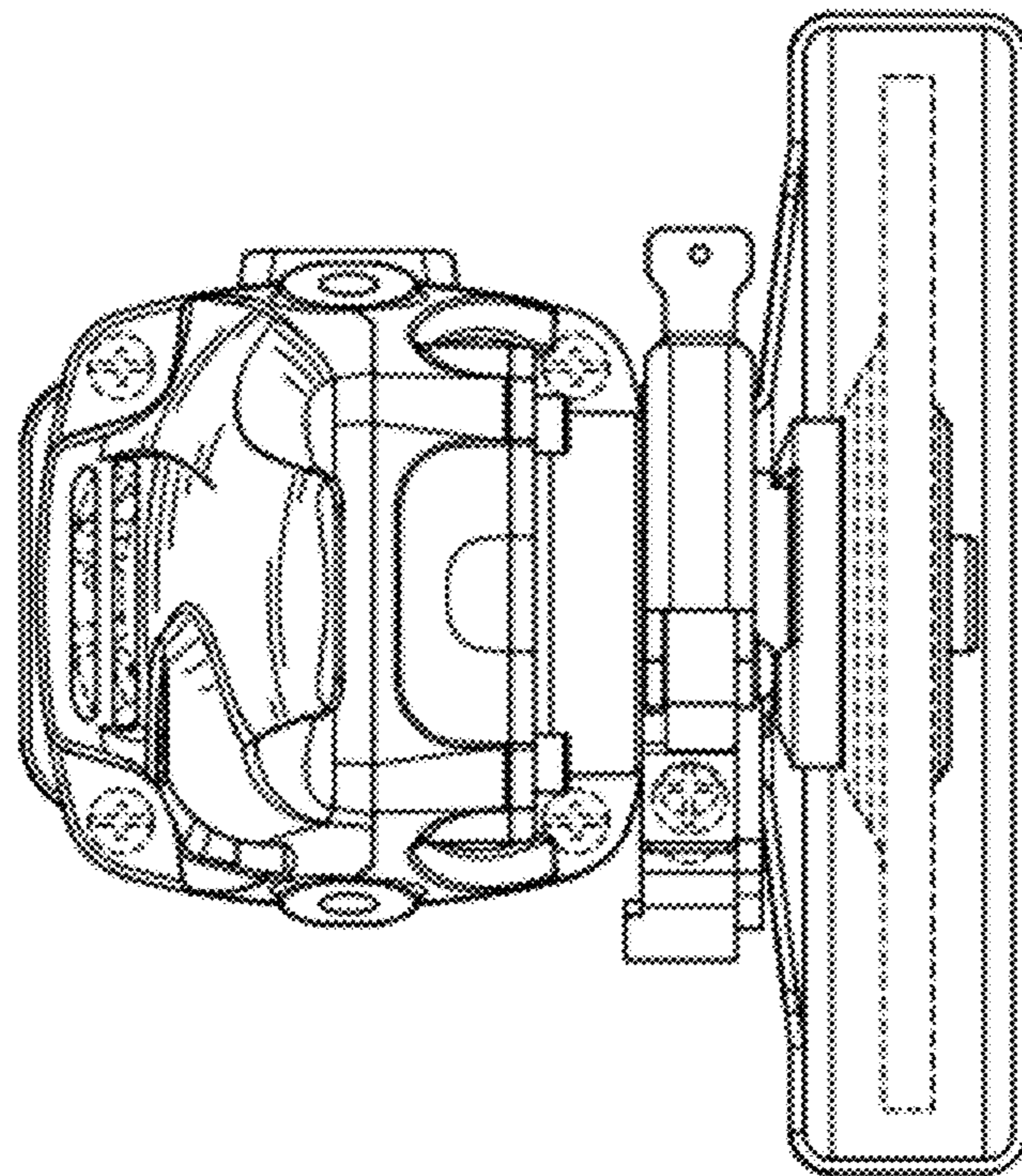


FIG. 6

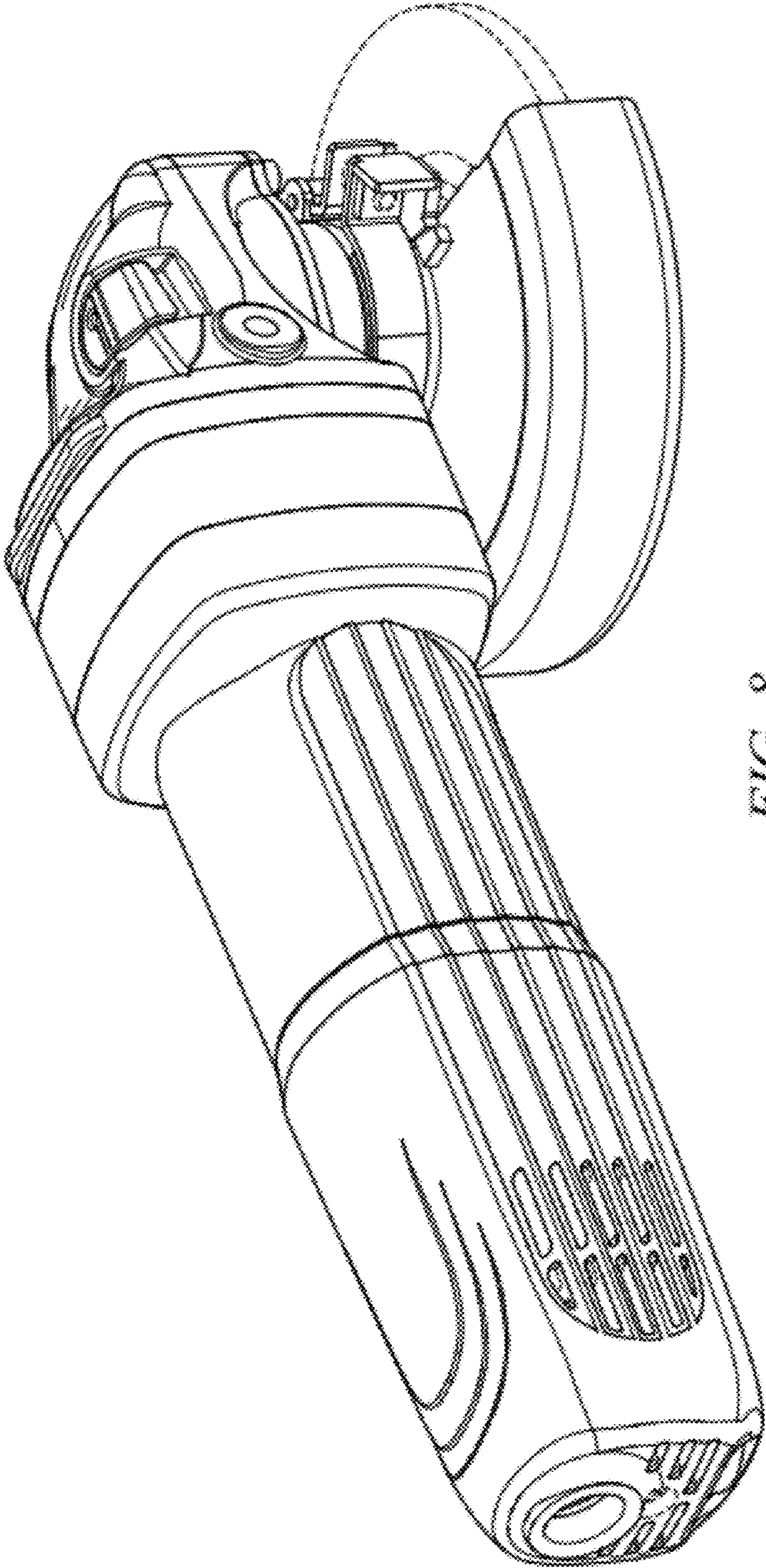


FIG. 8

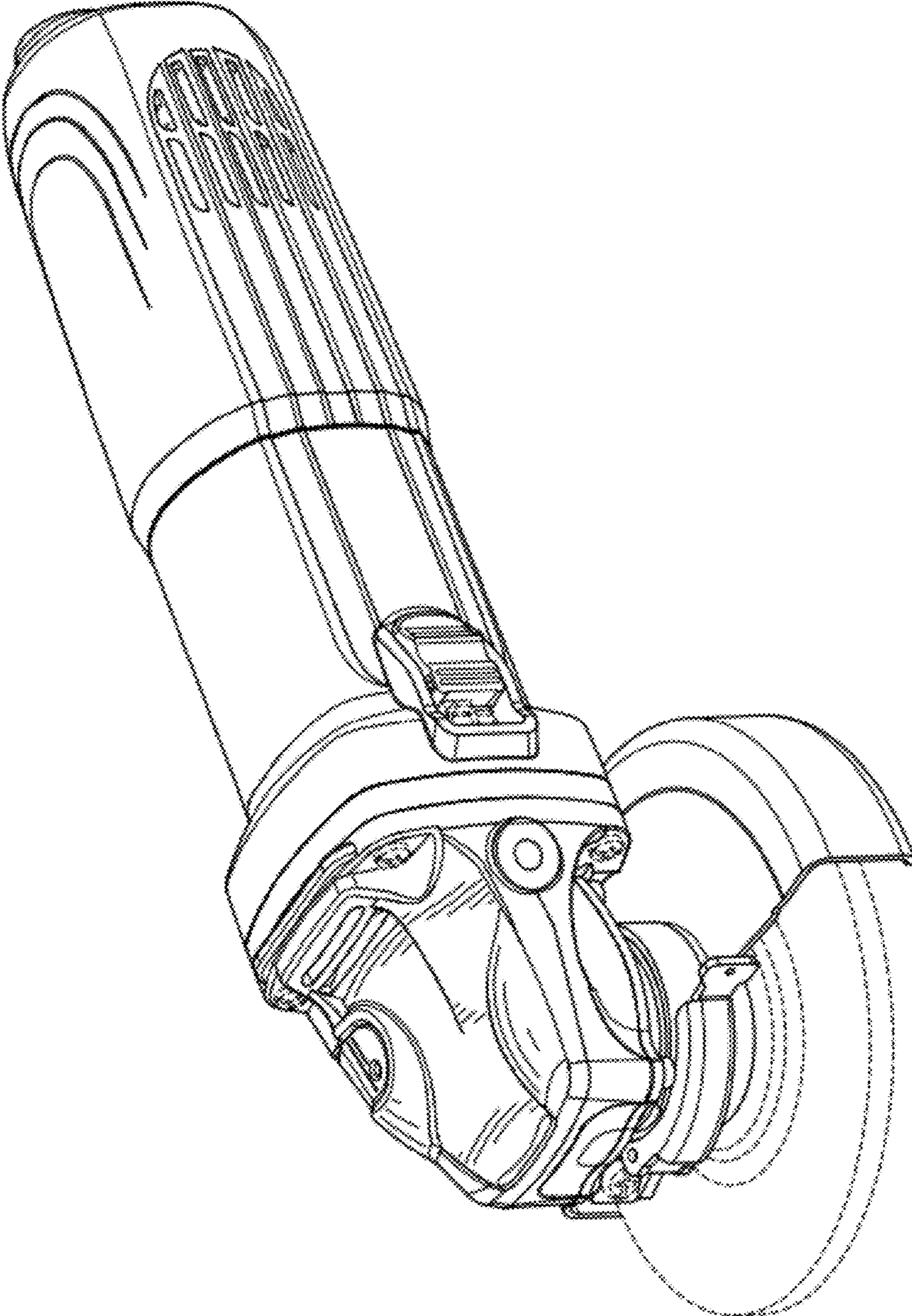


FIG. 9

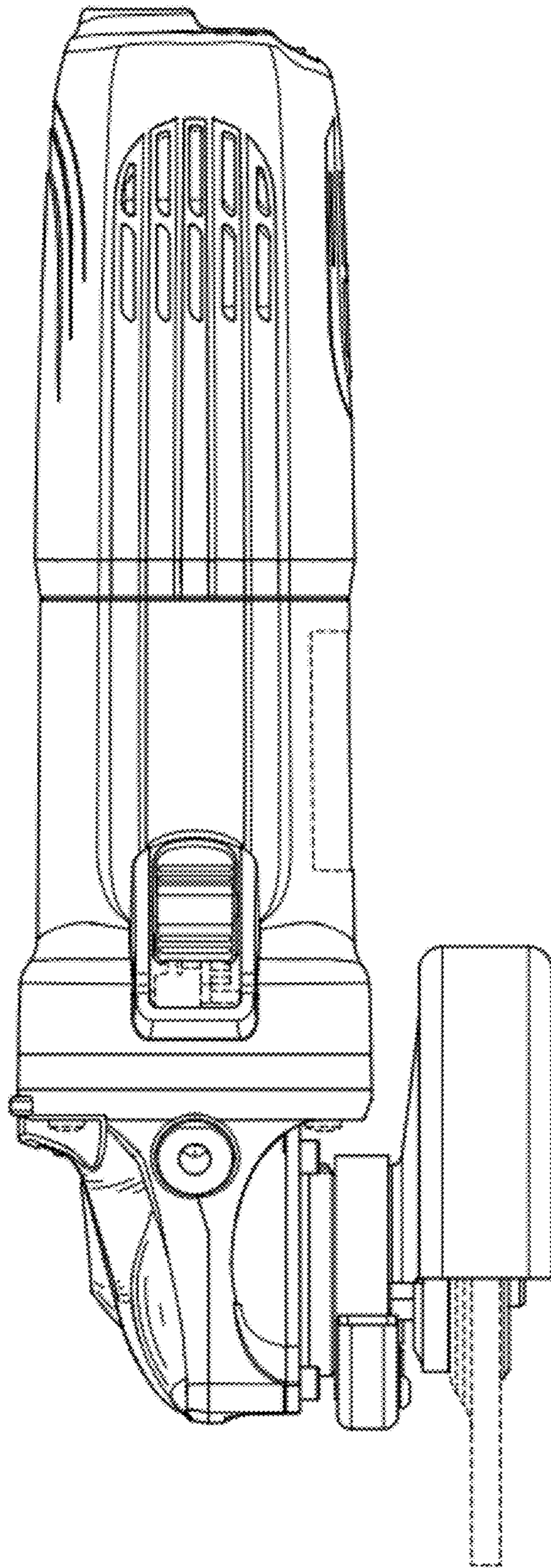


FIG. 10

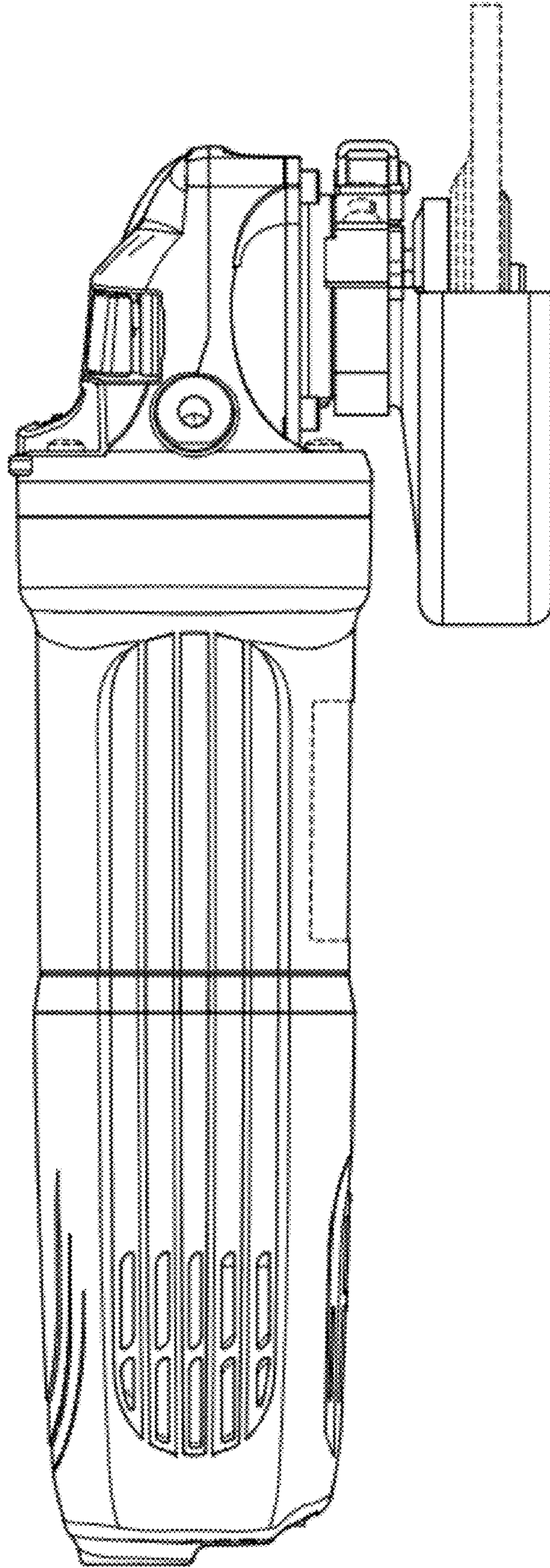


FIG. 11

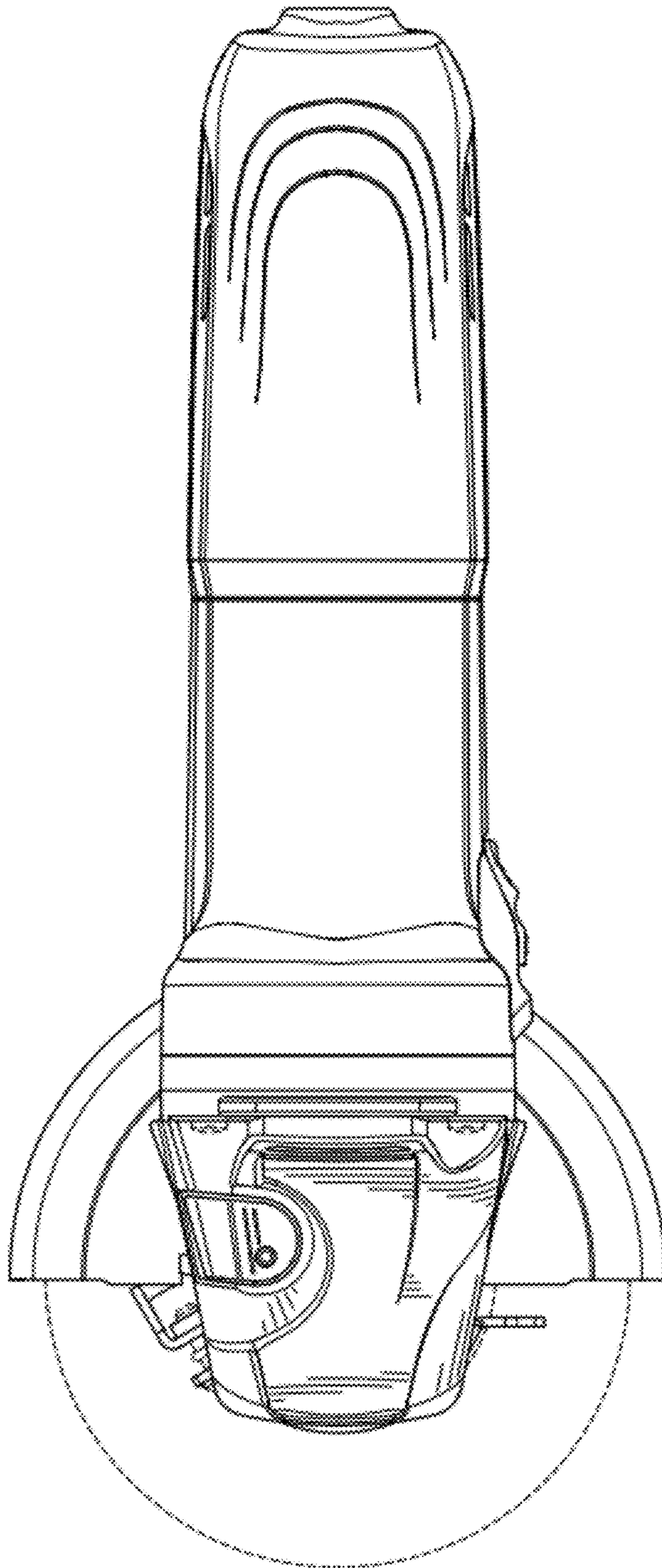


FIG. 12

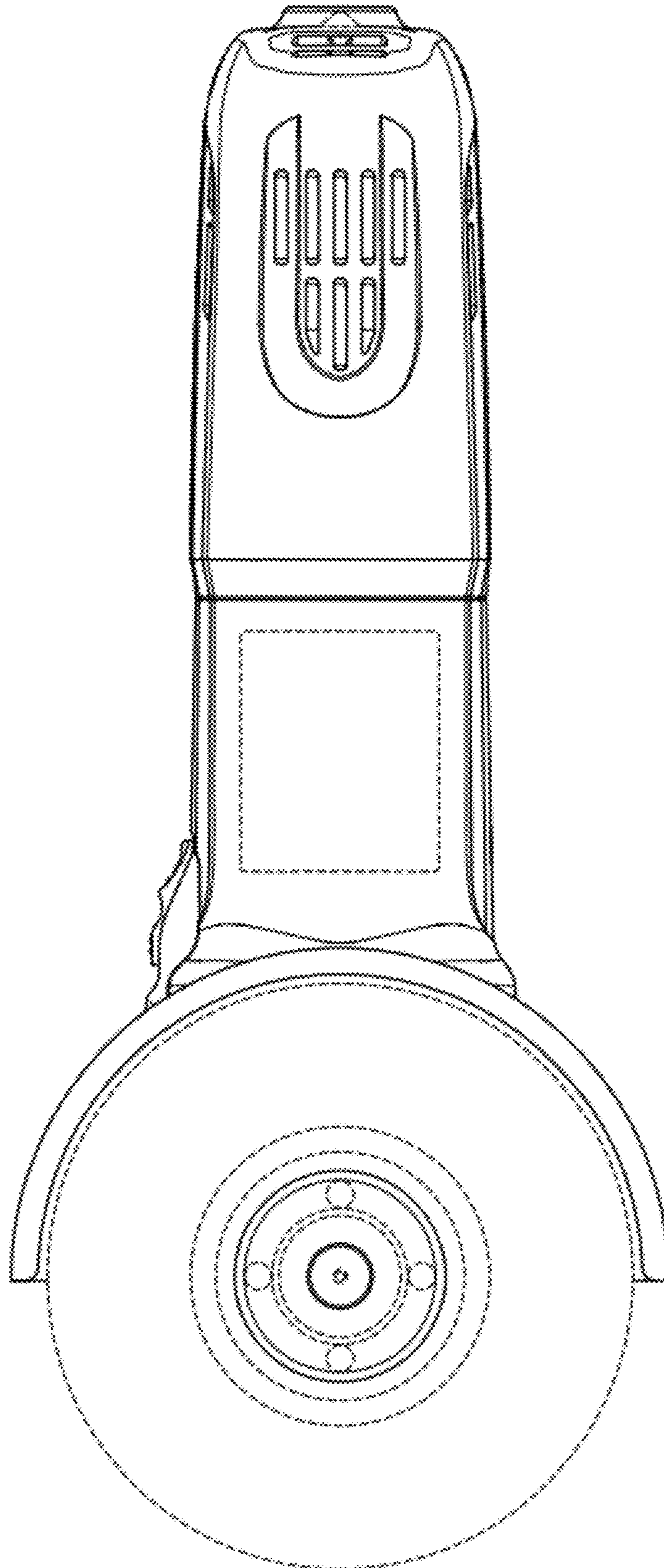


FIG. 13

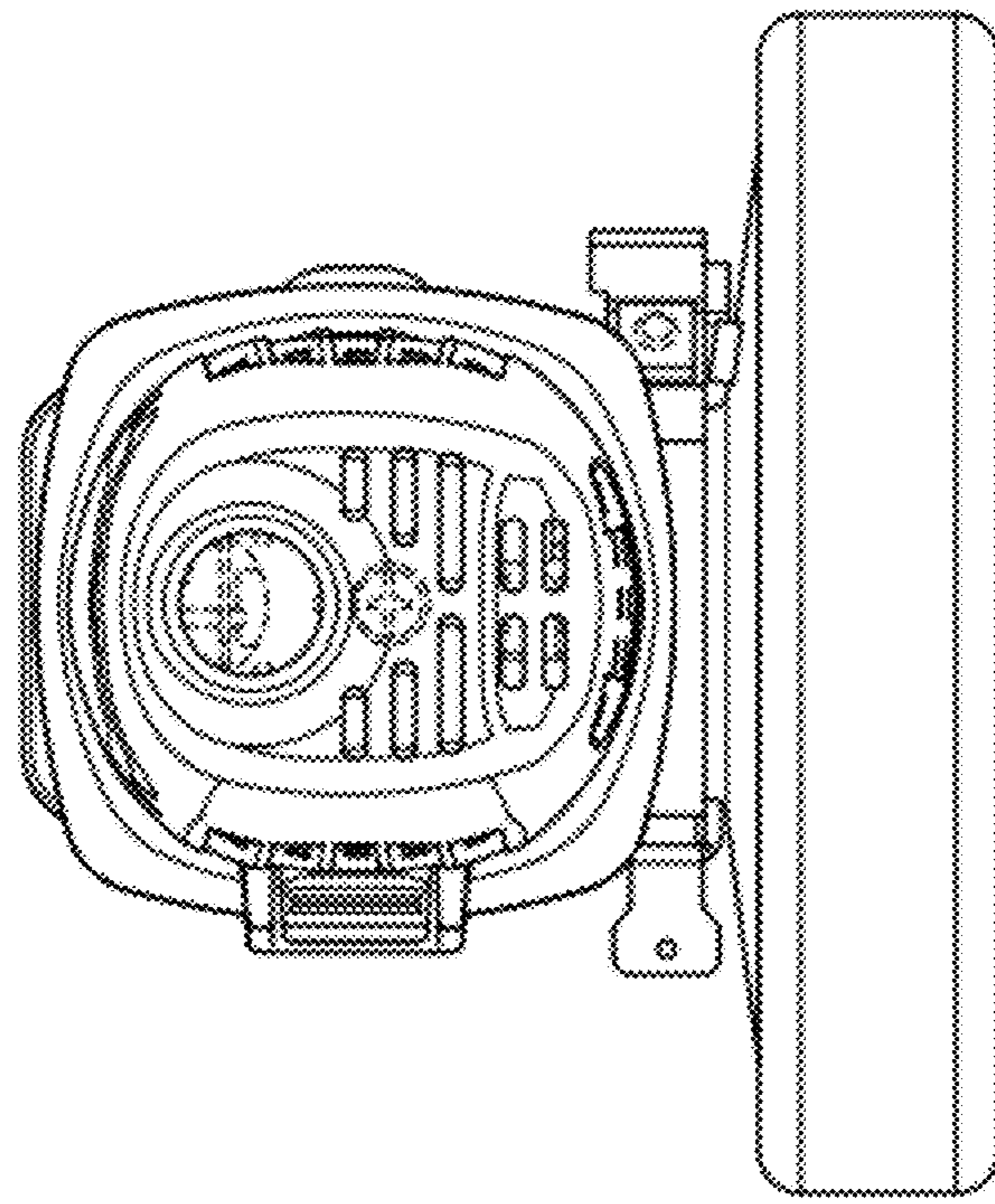


FIG. 15

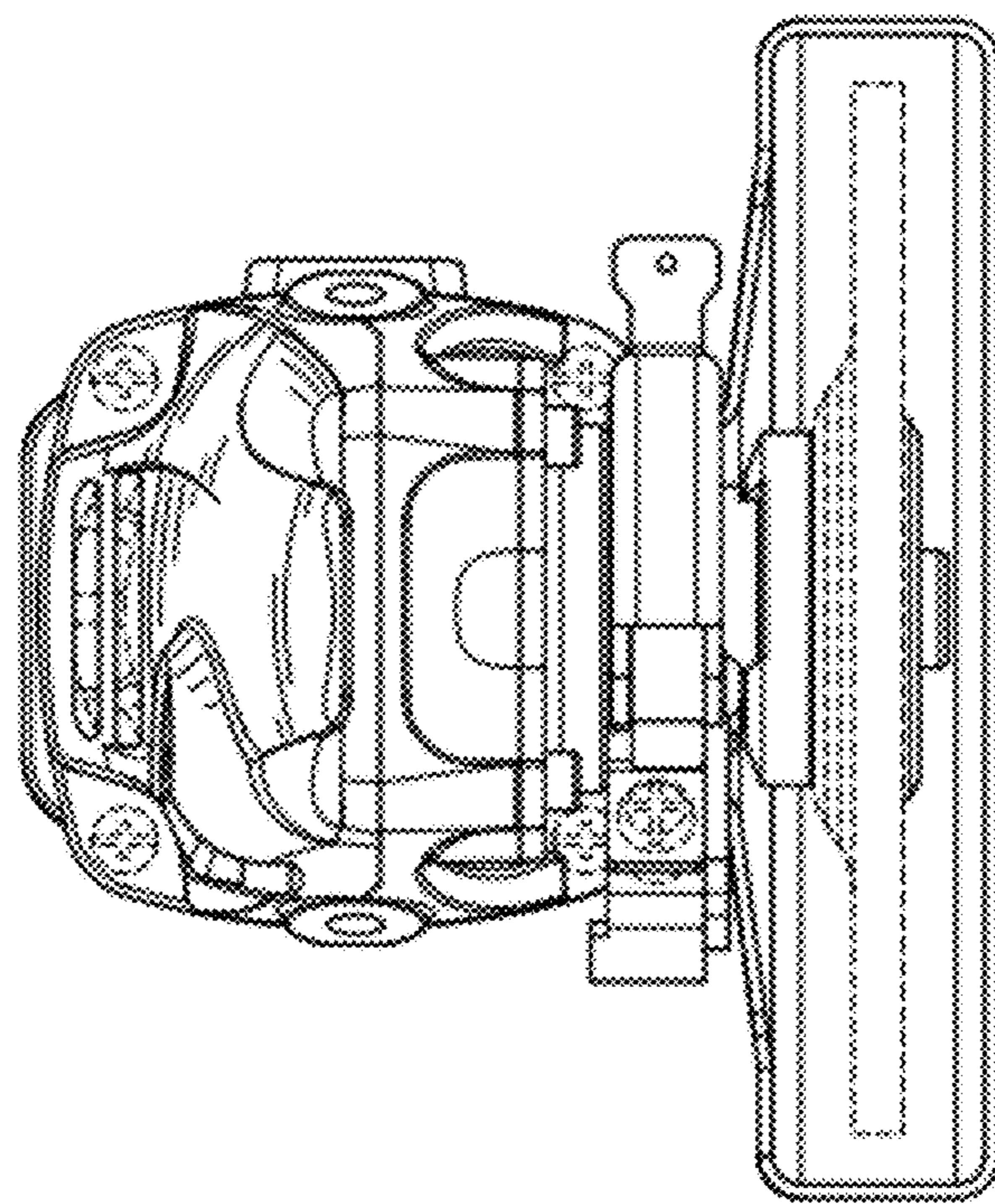


FIG. 14

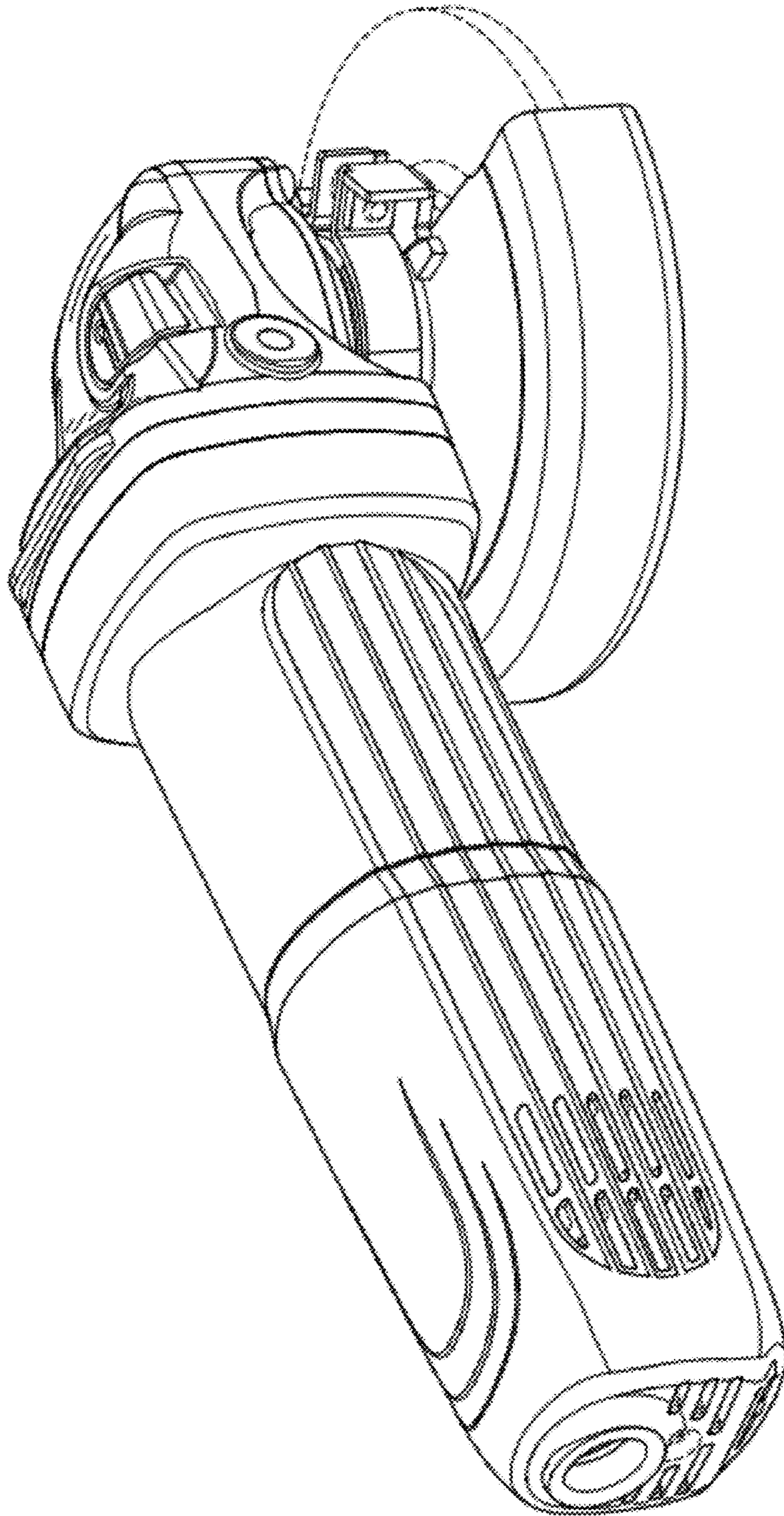


FIG. 16