

US00D660117S

(12) **United States Design Patent**  
**Bublitz et al.**

(10) **Patent No.:** **US D660,117 S**

(45) **Date of Patent:** **\*\* May 22, 2012**

(54) **NAILING DEVICE**

(75) Inventors: **Scott D. Bublitz**, Hartland, WI (US);  
**John S. Scott**, Brookfield, WI (US);  
**Michael S. Steele**, Waukesha, WI (US);  
**Andrew J. Weber**, Cudahy, WI (US)

(73) Assignee: **Milwaukee Electric Tool Corporation**,  
Brookfield, WI (US)

(\*\*) Term: **14 Years**

(21) Appl. No.: **29/381,013**

(22) Filed: **Dec. 14, 2010**

(51) **LOC (9) Cl.** ..... **08-05**

(52) **U.S. Cl.** ..... **D8/61**

(58) **Field of Classification Search** ..... D8/61,  
D8/68, 69; 81/57.11, 429, 454, 455, 456,  
81/469, 489; 173/13, 104, 114, 168, 169-171,  
173/178, 201, 211, 213, 217, 218, 177; 408/20,  
408/124, 125, 234, 241 R; 451/358; 310/50;  
227/113, 114, 120, 130, 136, 142, 123, 8,  
227/127, 119, 148, 169

See application file for complete search history.

(56) **References Cited**

**U.S. PATENT DOCUMENTS**

1,341,545 A 5/1920 Covert  
(Continued)

**OTHER PUBLICATIONS**

PCT/US2011/025288 International Search Report and Written Opin-  
ion dated Oct. 28, 2011 (9 pages).

(Continued)

*Primary Examiner* — Antoine D Davis

(74) *Attorney, Agent, or Firm* — Michael Best & Friedrich  
LLP

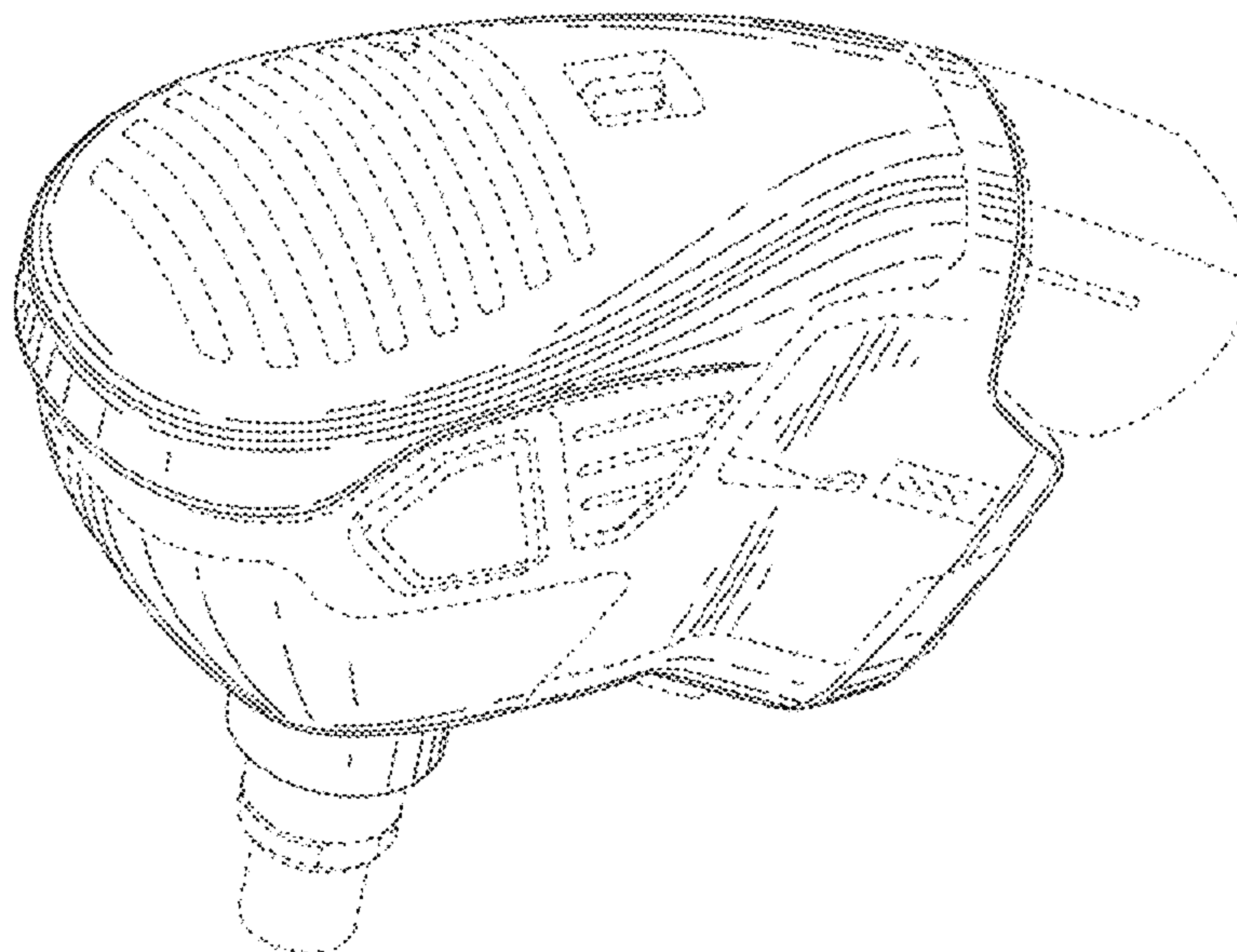
(57) **CLAIM**

The ornamental design for a nailing device, as shown and  
described.

**DESCRIPTION**

FIG. 1 is a front perspective view of a nailing device in  
accordance with a first embodiment of the present invention.  
FIG. 2 is a left-side view of the nailing device of FIG. 1.  
FIG. 3 is a right-side view of the nailing device of FIG. 1.  
FIG. 4 is a front view of the nailing device of FIG. 1.  
FIG. 5 is a rear view of the nailing device of FIG. 1.  
FIG. 6 is a top view of the nailing device of FIG. 1.  
FIG. 7 is a bottom view of the nailing device of FIG. 1.  
FIG. 8 is a front perspective view of a nailing device in  
accordance with a second embodiment of the present inven-  
tion.  
FIG. 9 is a left-side view of the nailing device of FIG. 8.  
FIG. 10 is a right-side view of the nailing device of FIG. 8.  
FIG. 11 is a front view of the nailing device of FIG. 8.  
FIG. 12 is a rear view of the nailing device of FIG. 8.  
FIG. 13 is a top view of the nailing device of FIG. 8.  
FIG. 14 is a bottom view of the nailing device of FIG. 8.  
FIG. 15 is a front perspective view of a nailing device in  
accordance with a third embodiment of the present invention.  
FIG. 16 is a left-side view of the nailing device of FIG. 15.  
FIG. 17 is a right-side view of the nailing device of FIG. 15.  
FIG. 18 is a front view of the nailing device of FIG. 15.  
FIG. 19 is a rear view of the nailing device of FIG. 15.  
FIG. 20 is a top view of the nailing device of FIG. 15; and,  
FIG. 21 is a bottom view of the nailing device of FIG. 15.  
The portions of the nailing device shown in broken lines are  
included for the purpose of illustrating environment and form  
no part of the claimed design.

**1 Claim, 21 Drawing Sheets**



# US D660,117 S

Page 2

## U.S. PATENT DOCUMENTS

1,366,850 A 1/1921 Trotter  
1,579,840 A 4/1926 Rasch  
1,725,212 A 8/1929 Schneider  
1,738,207 A 12/1929 Riggs  
1,860,826 A 5/1932 Tschudi  
2,002,762 A 5/1935 Badcon  
2,079,909 A 5/1937 Jackson  
2,500,402 A 3/1950 Craig  
3,486,569 A 12/1969 Sieber  
3,850,255 A 11/1974 Koehler  
4,082,152 A 4/1978 Whitworth  
4,318,446 A 3/1982 Livesay  
5,794,325 A 8/1998 Fallandy  
D433,299 S \* 11/2000 Wang-Kuan ..... D8/61  
6,671,931 B1 \* 1/2004 Duncan ..... 173/171

7,287,681 B1 \* 10/2007 Wen ..... 227/130  
7,789,282 B2 9/2010 Fukinuki et al.  
2002/0079111 A1 6/2002 Camp  
2007/0278276 A1 \* 12/2007 Wen ..... 227/130  
2010/0089965 A1 4/2010 Fukinuki et al.  
2010/0089966 A1 4/2010 Fukinuki et al.  
2010/0089967 A1 4/2010 Fukinuki et al.  
2010/0089968 A1 4/2010 Fukinuki et al.  
2010/0089969 A1 4/2010 Fukinuki et al.  
2010/0193562 A1 8/2010 Fukinuki et al.

## OTHER PUBLICATIONS

Senco Products, Inc., PC0781 Hand Nailer—Parts Reference Guide,  
Nov. 15, 2000.

\* cited by examiner

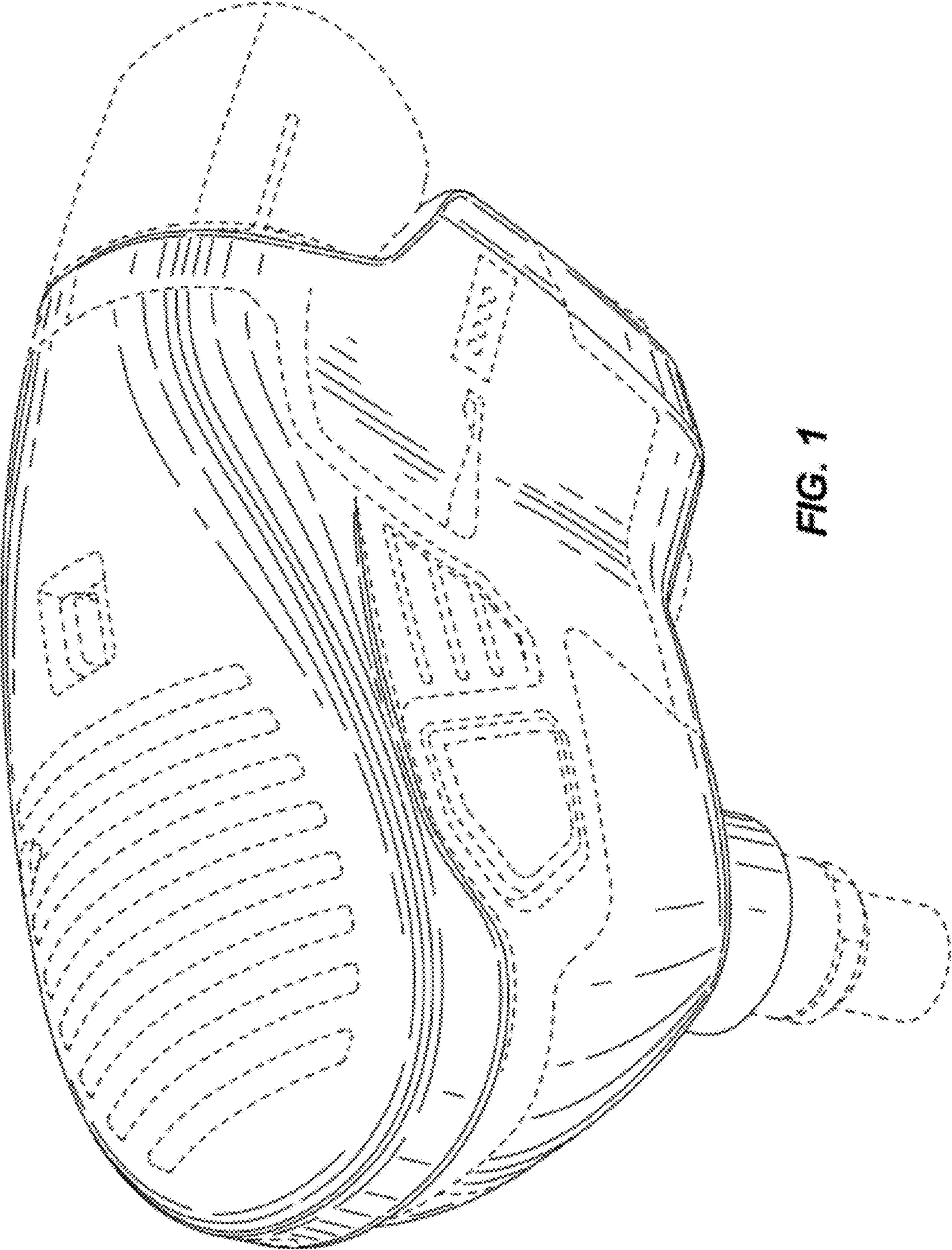


FIG. 1



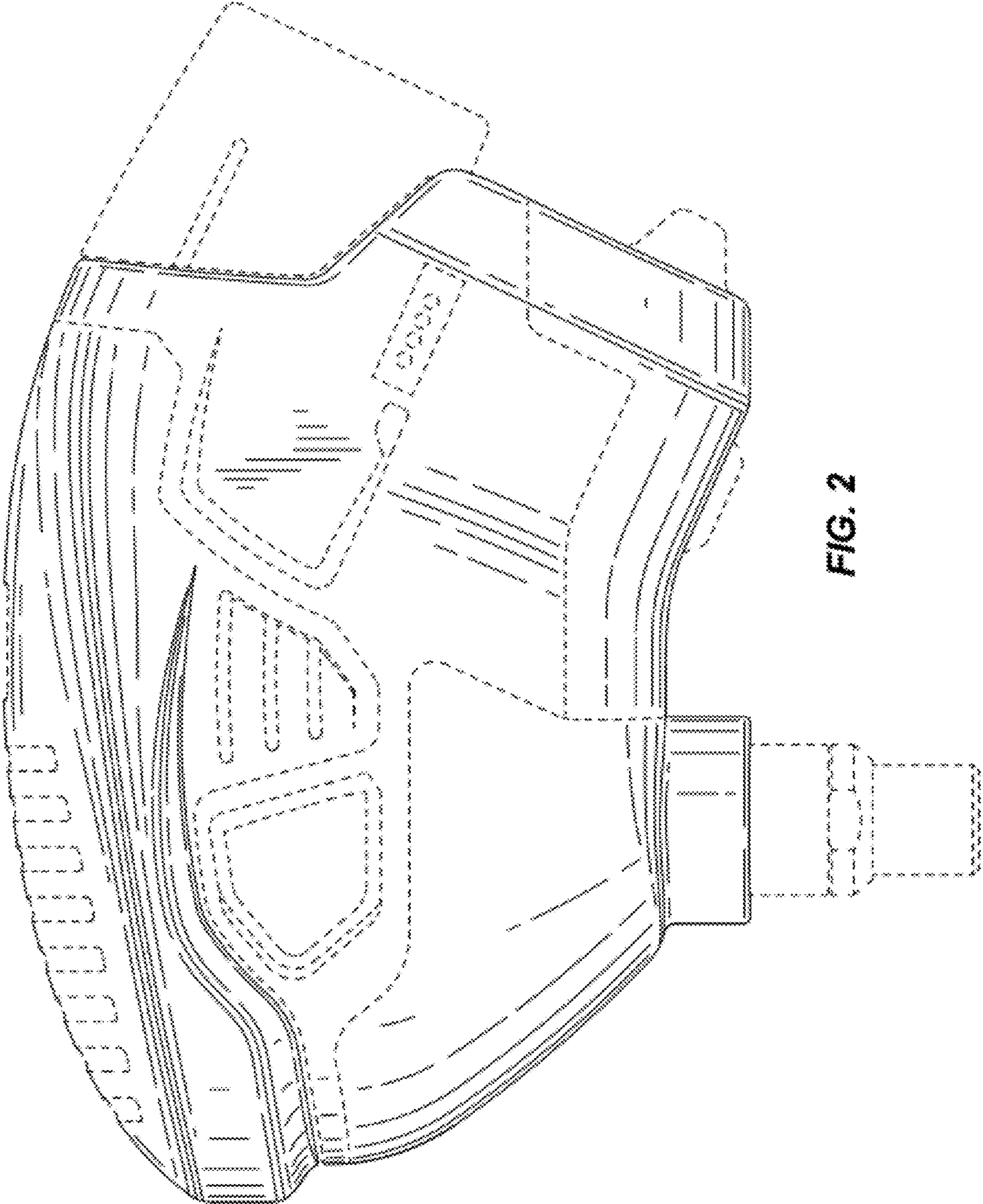


FIG. 2

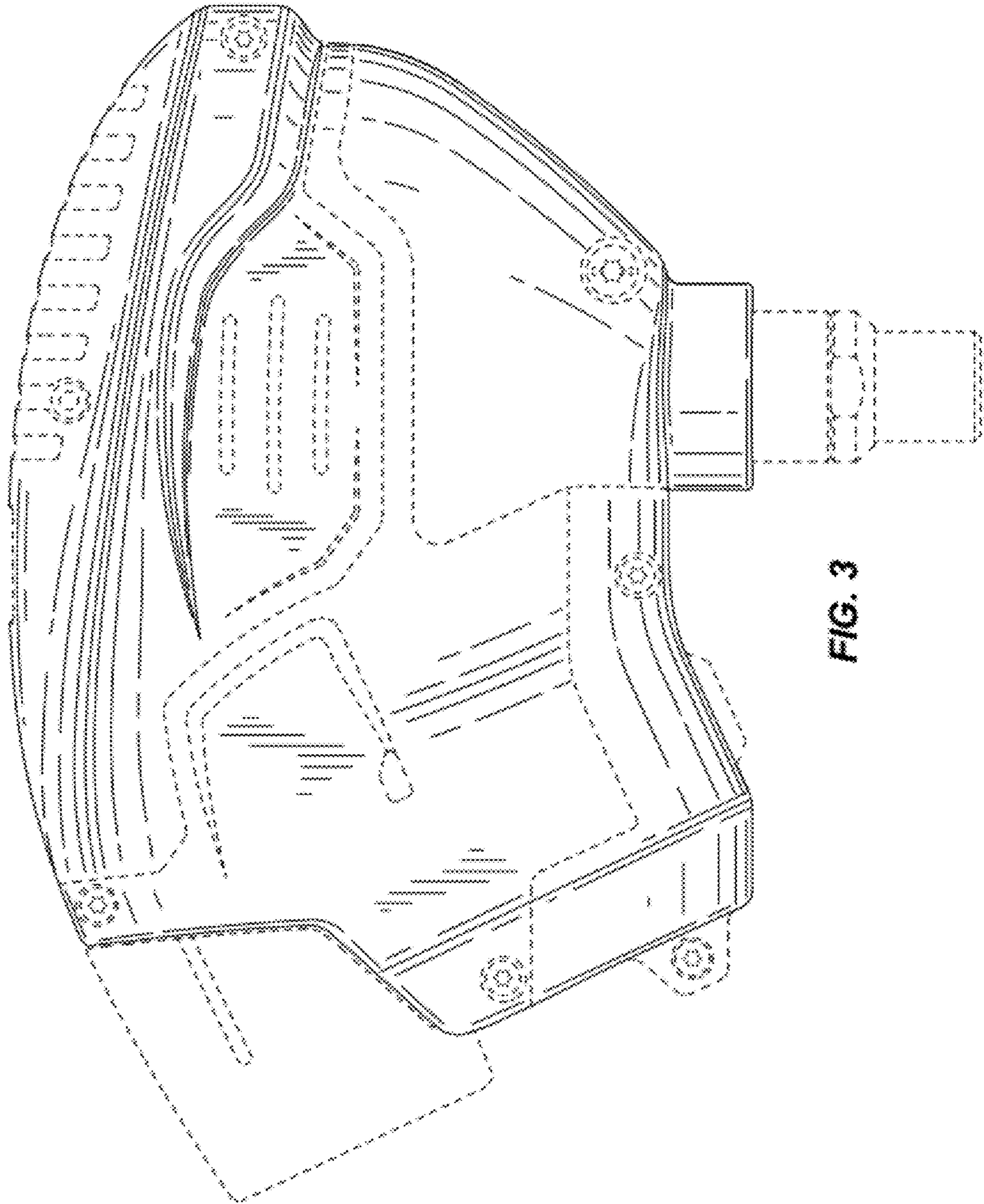


FIG. 3



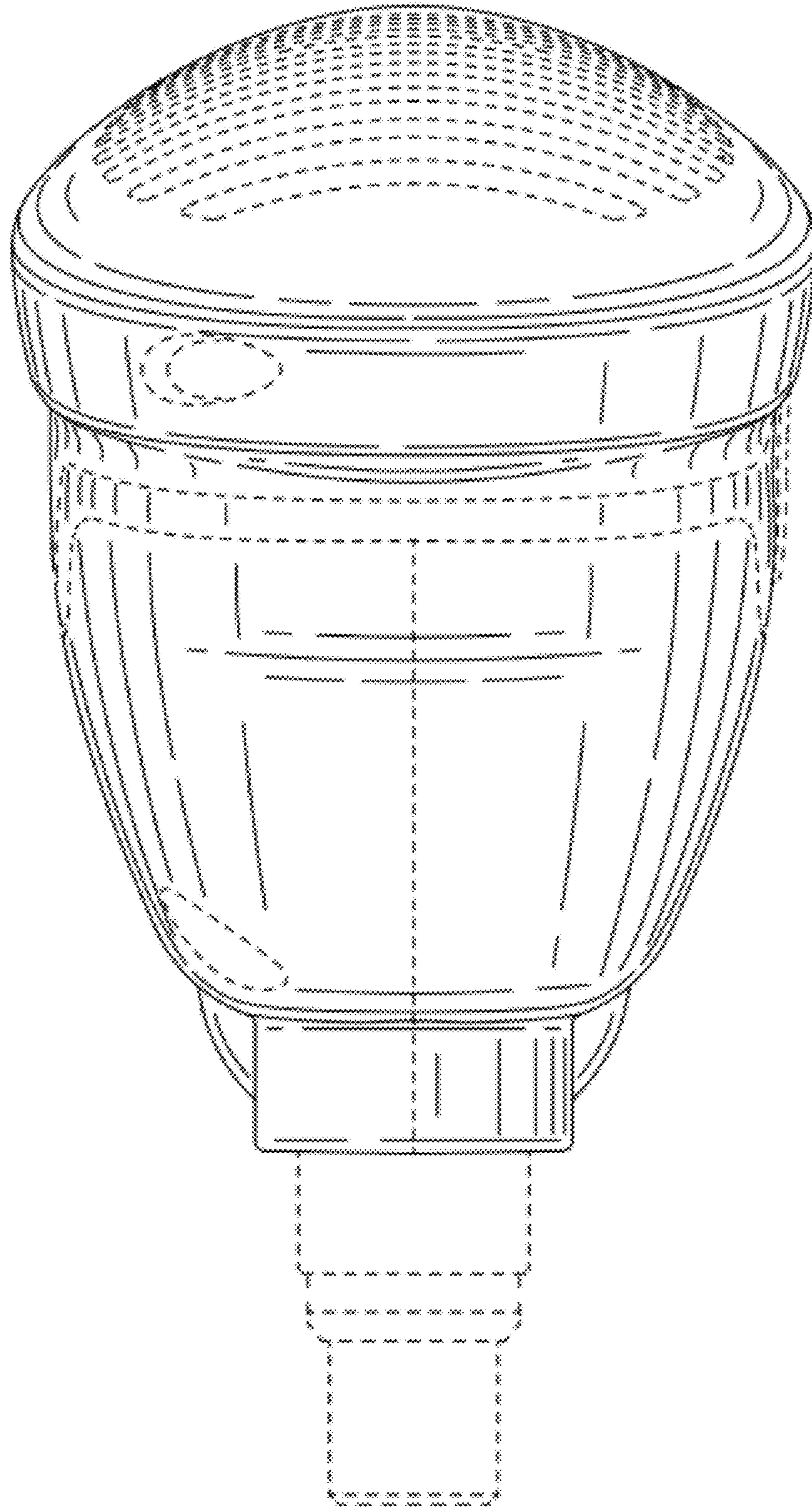
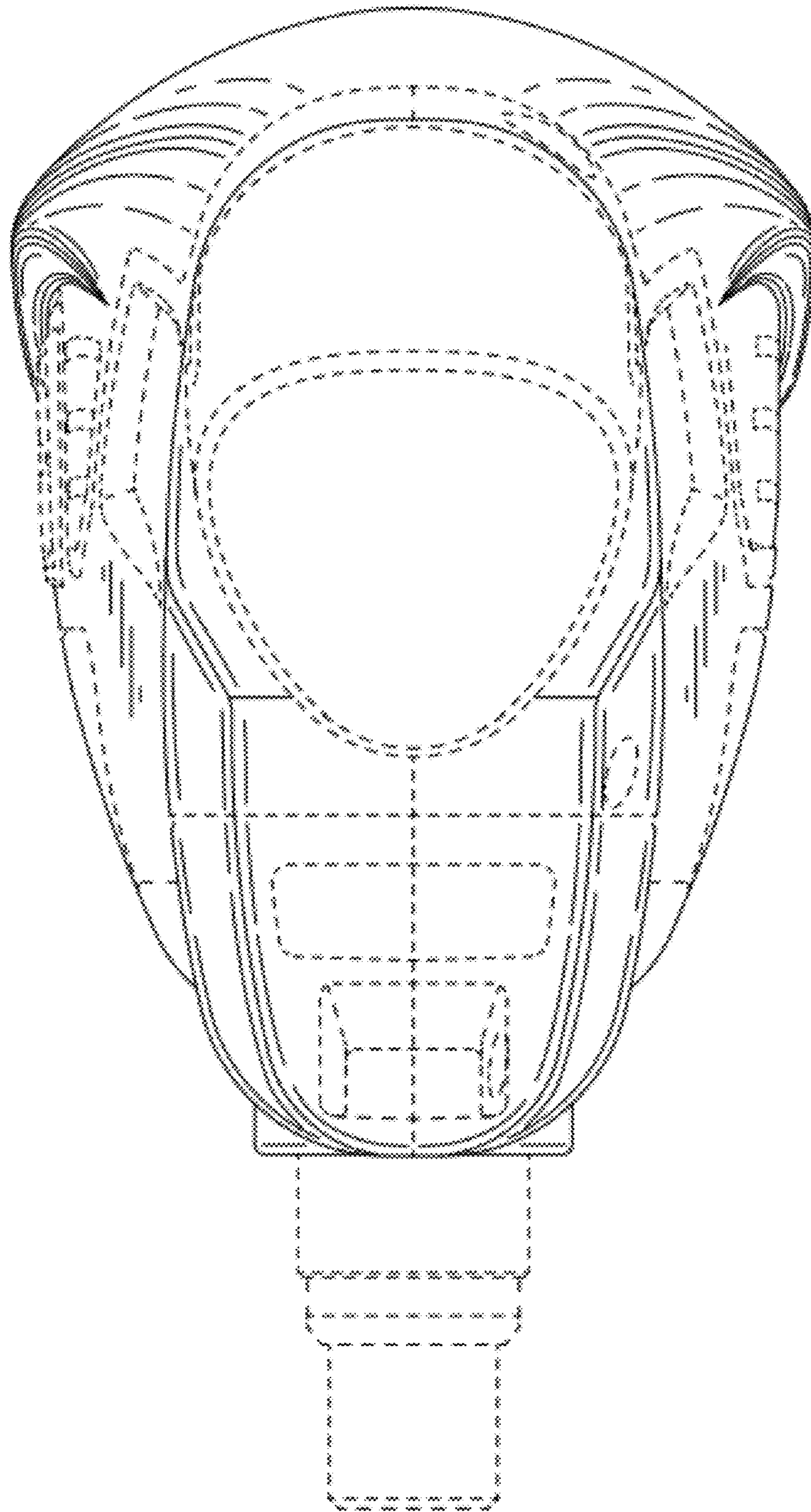


FIG. 4



**FIG. 5**

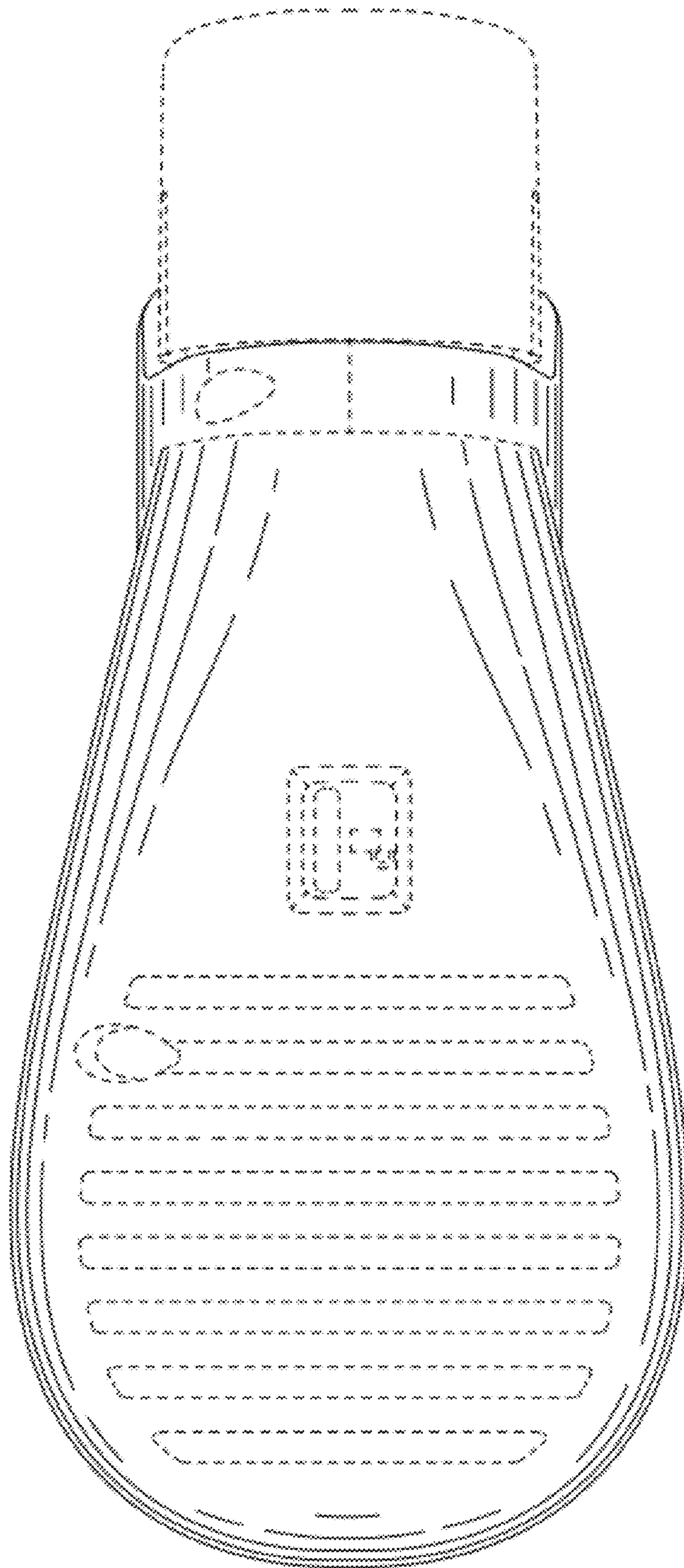


FIG. 6



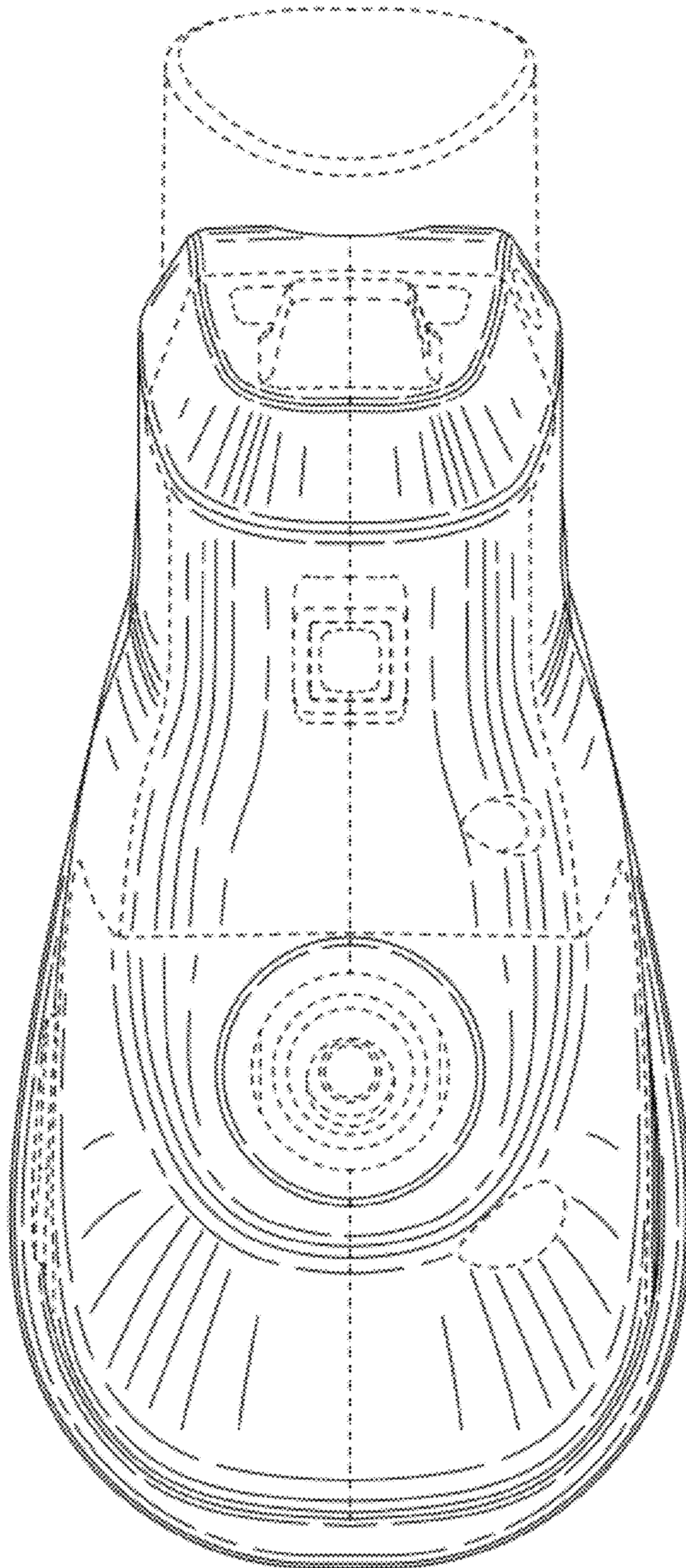


FIG. 7



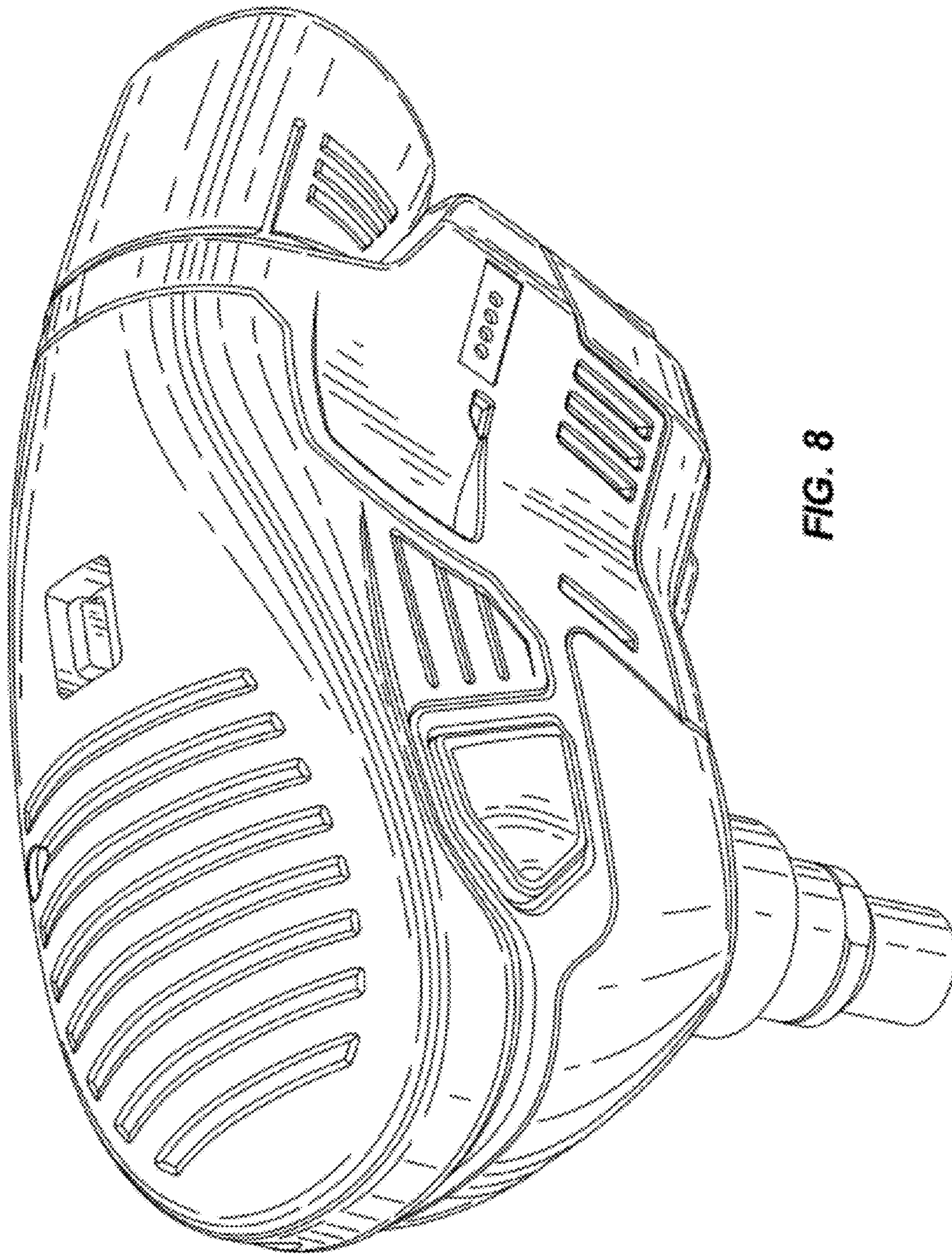


FIG. 8



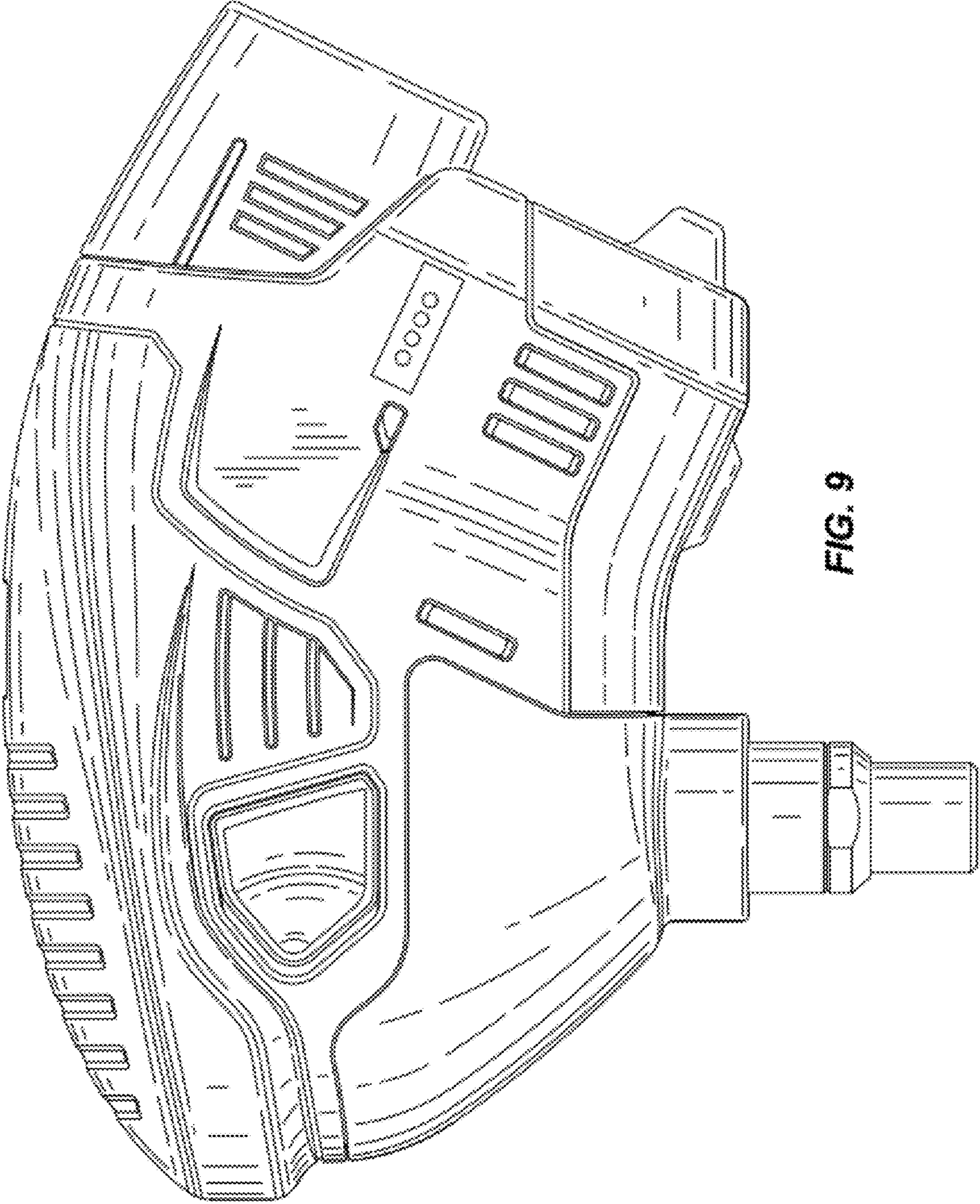


FIG. 9



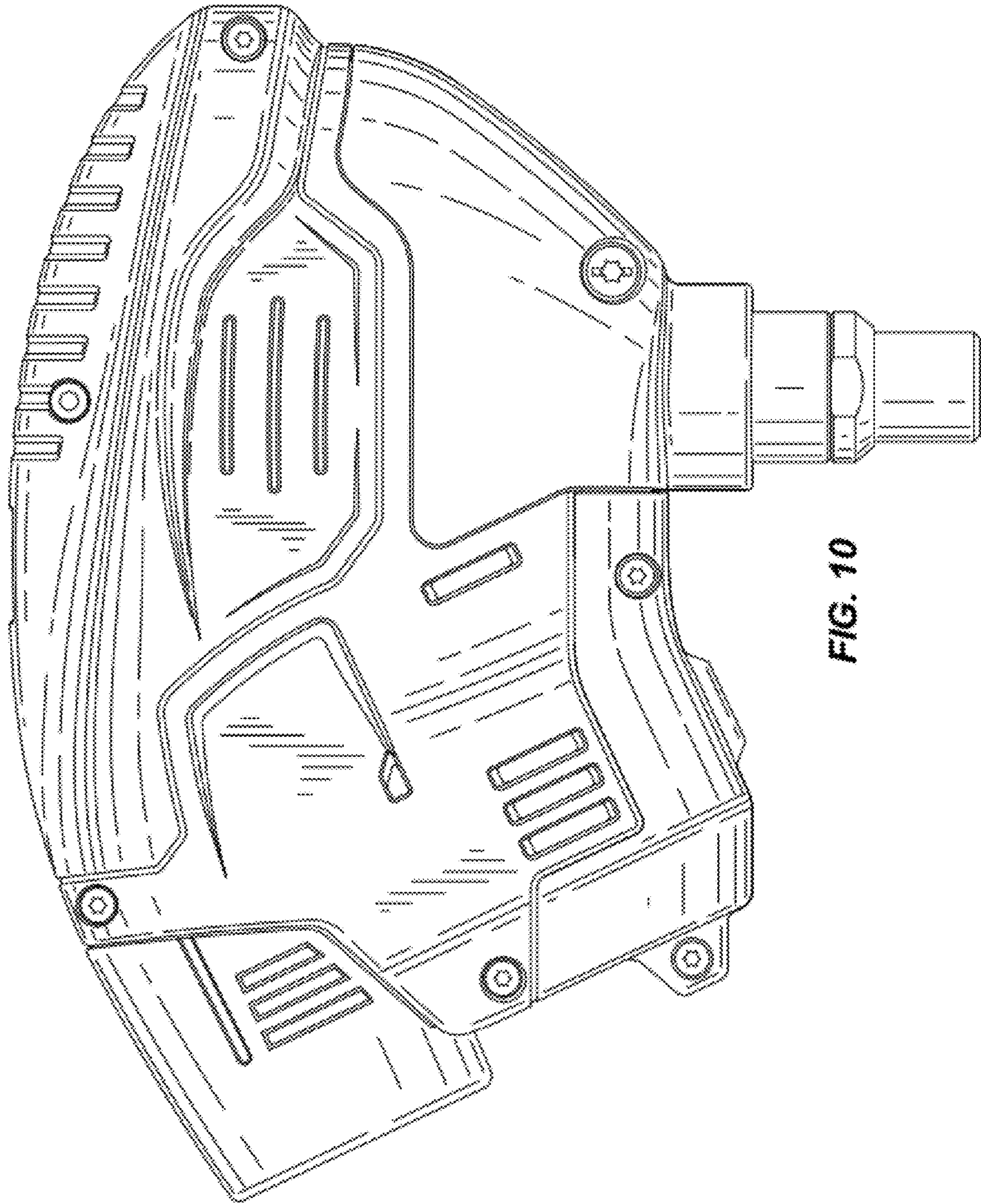
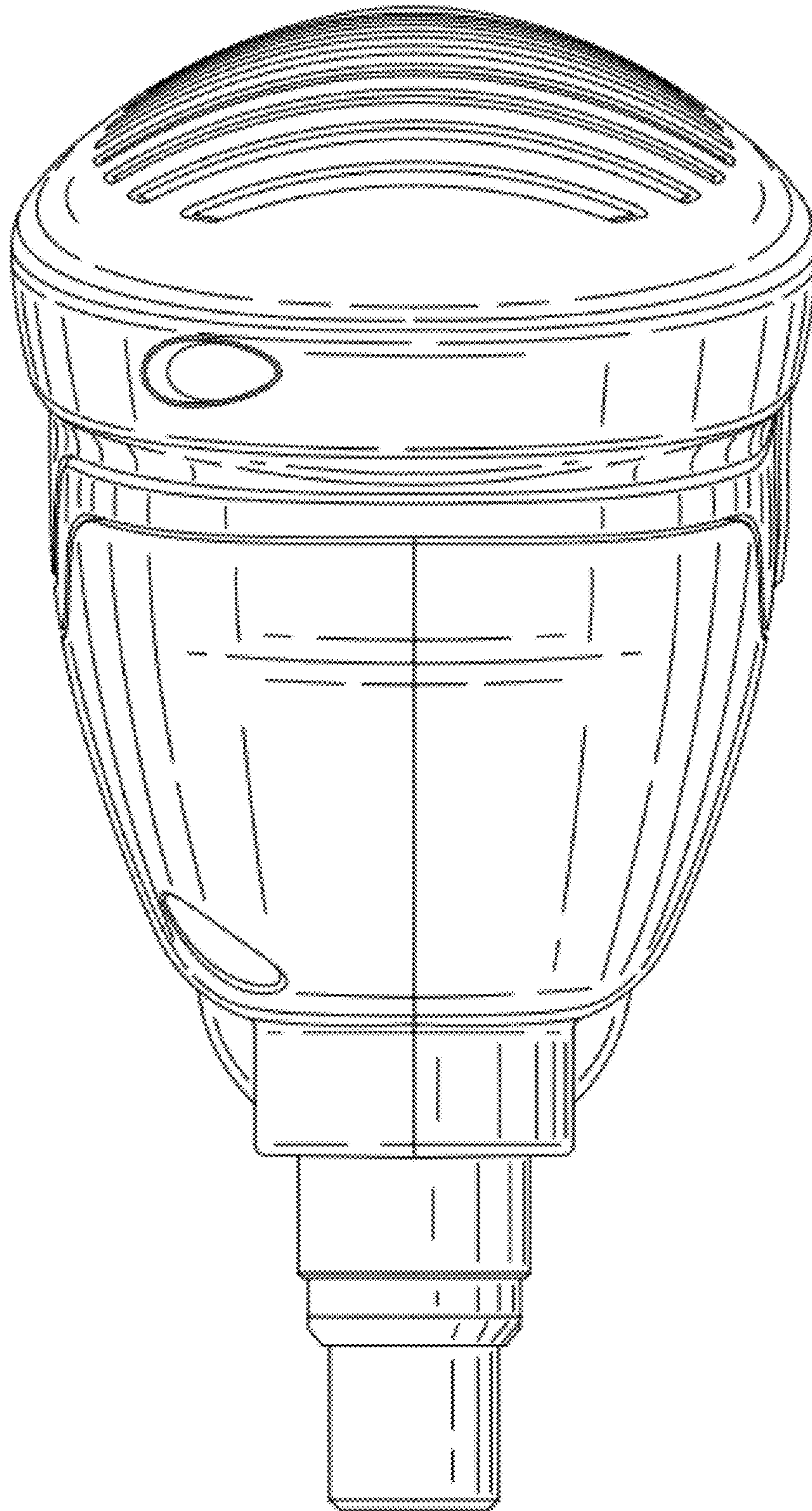
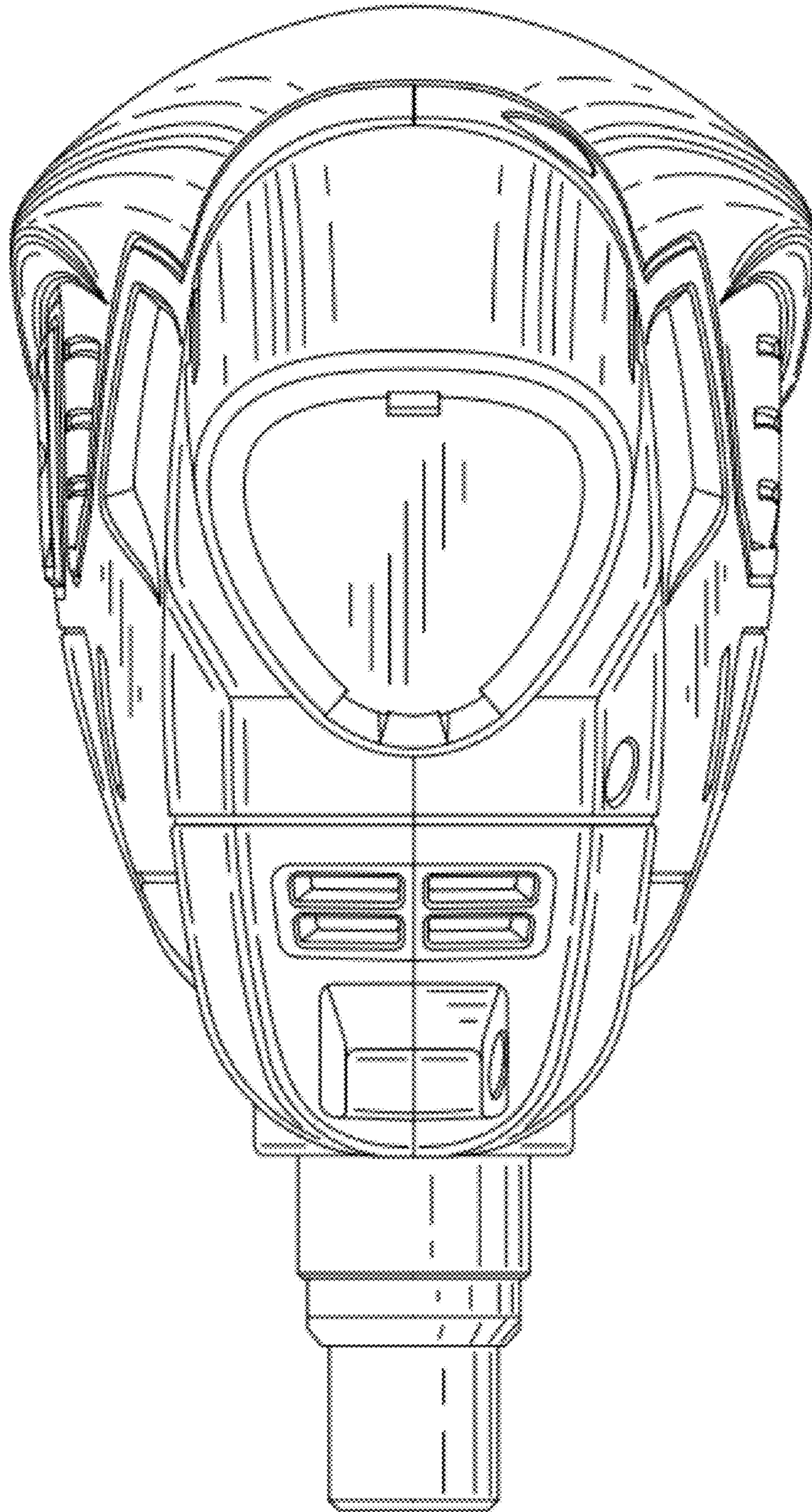


FIG. 10



**FIG. 11**





**FIG. 12**



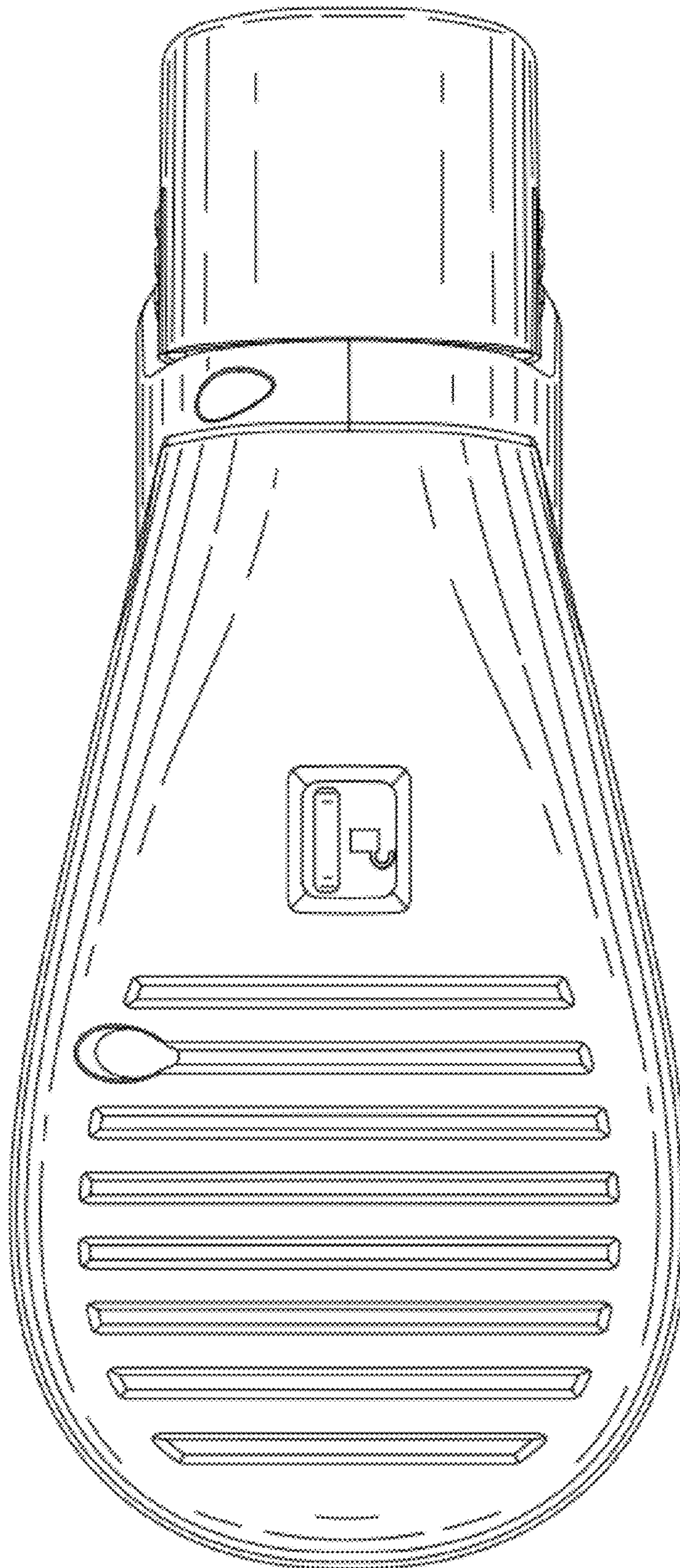


FIG. 13

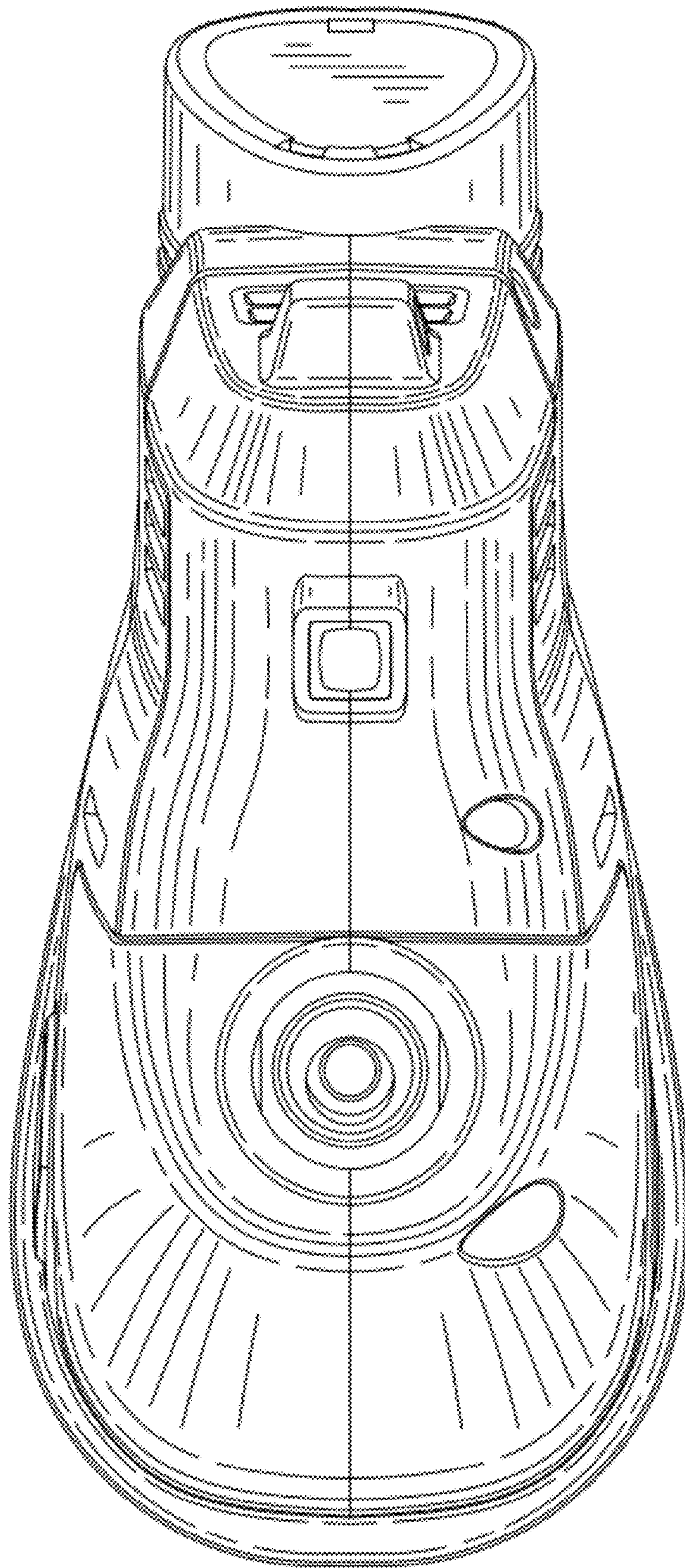


FIG. 14



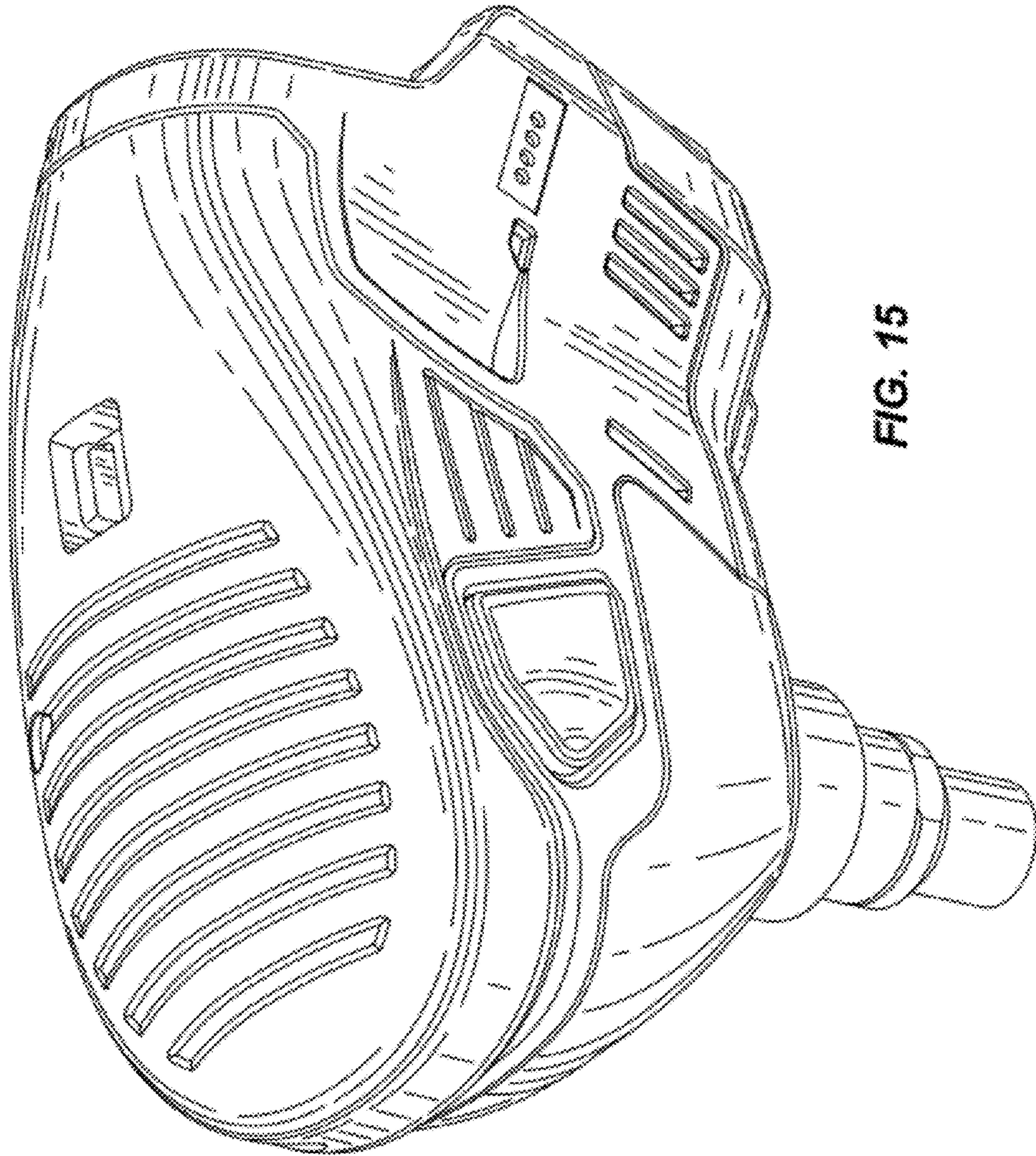


FIG. 15



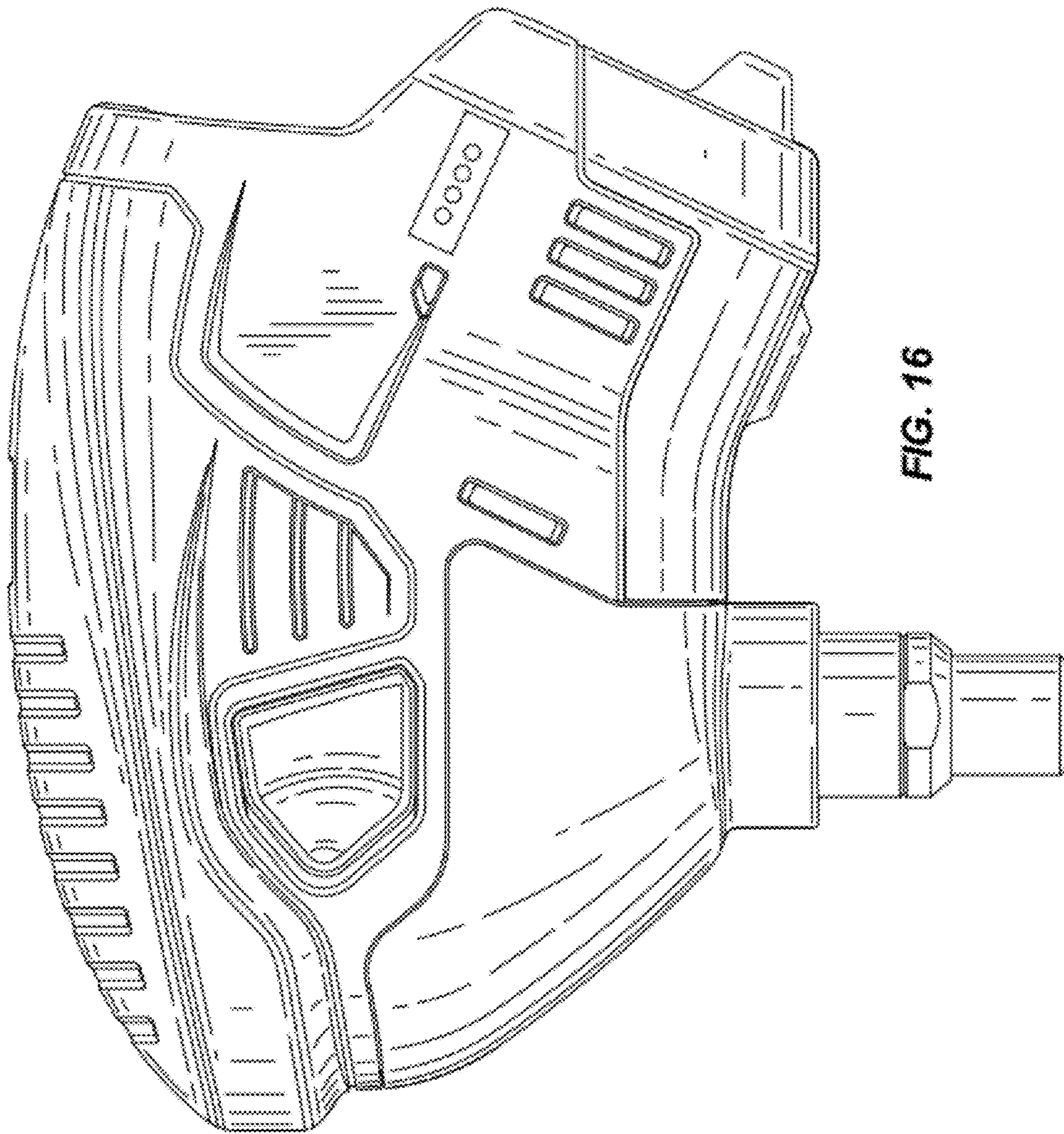


FIG. 16

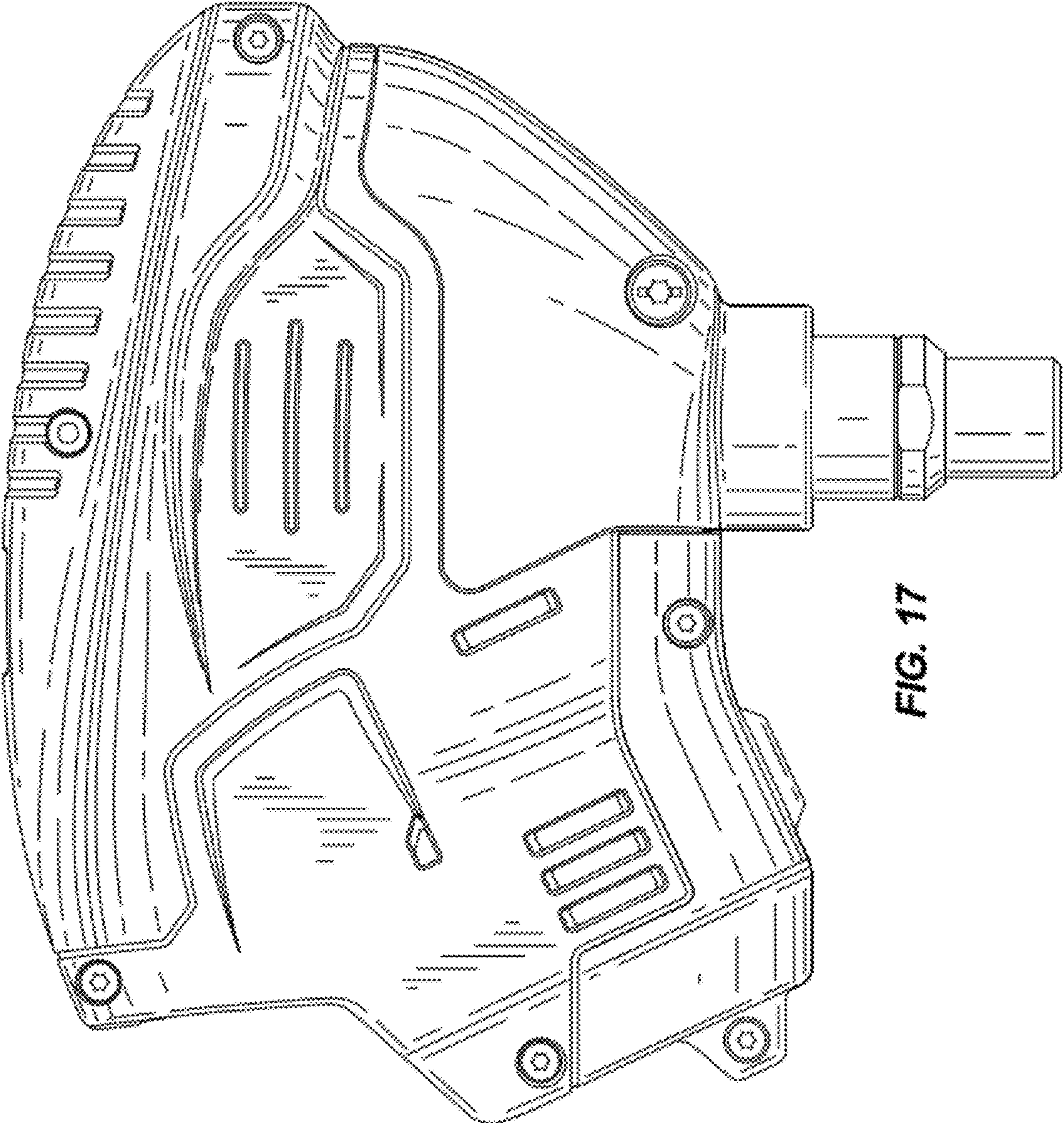
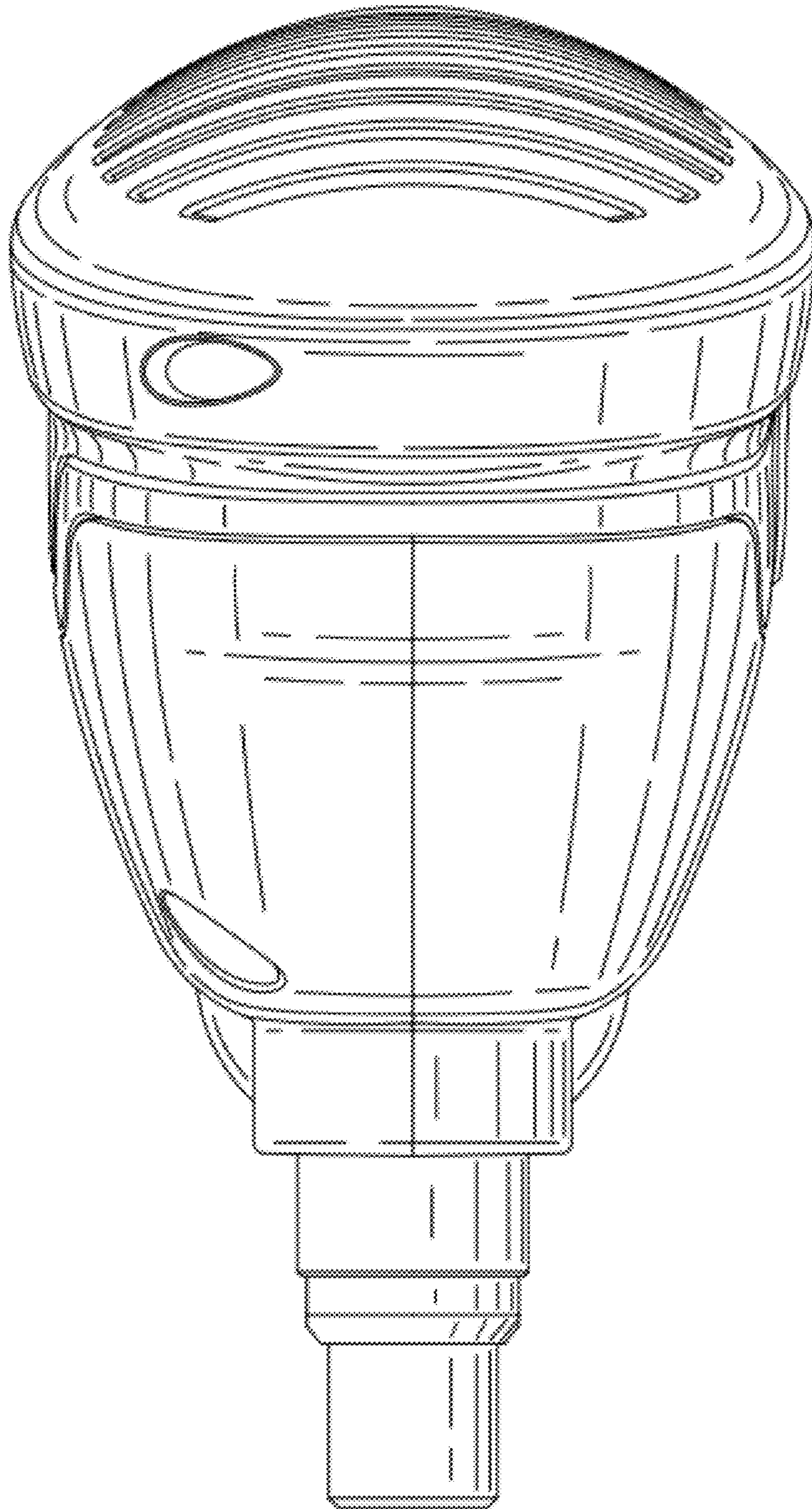


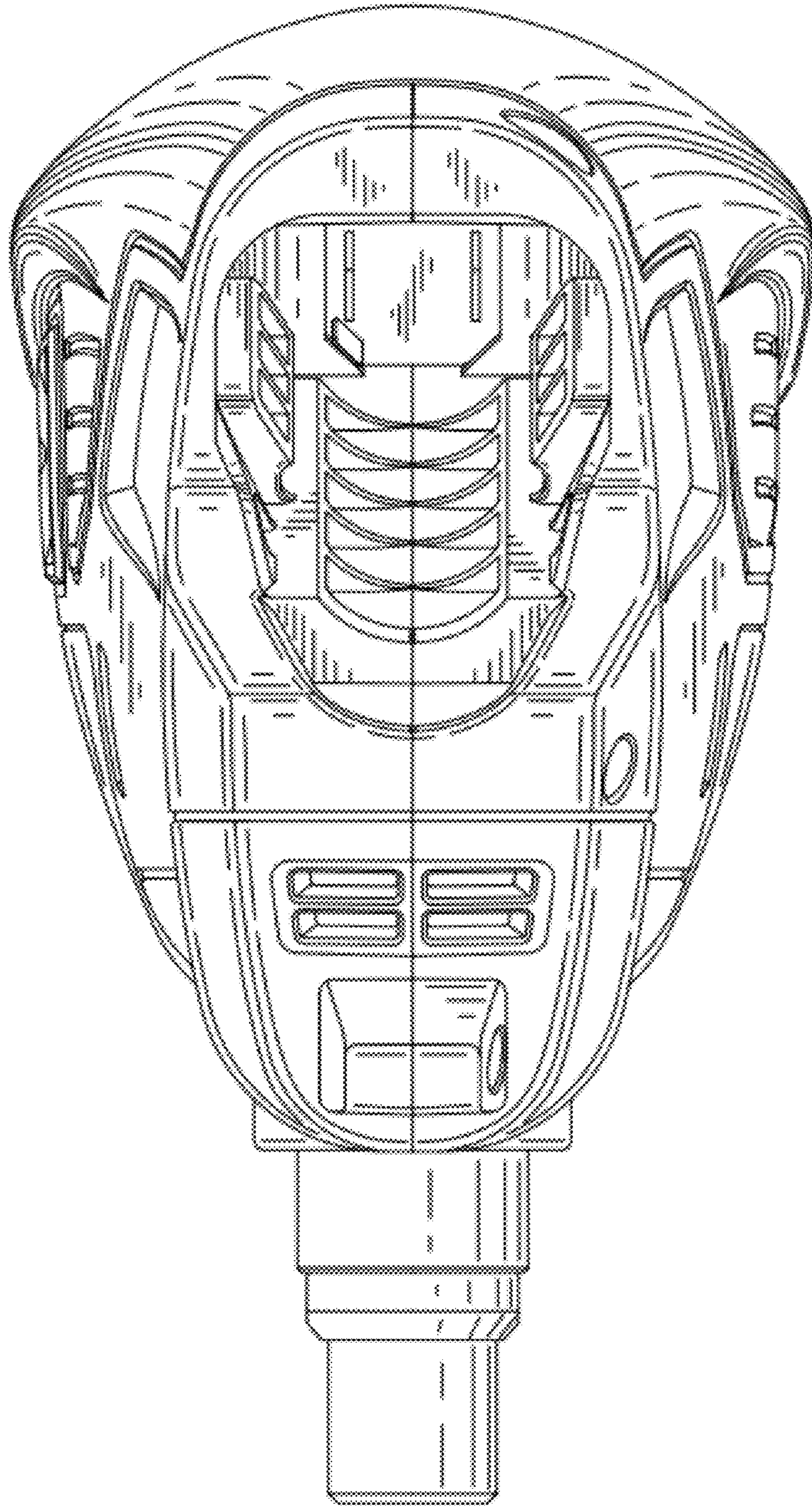
FIG. 17





**FIG. 18**





**FIG. 19**



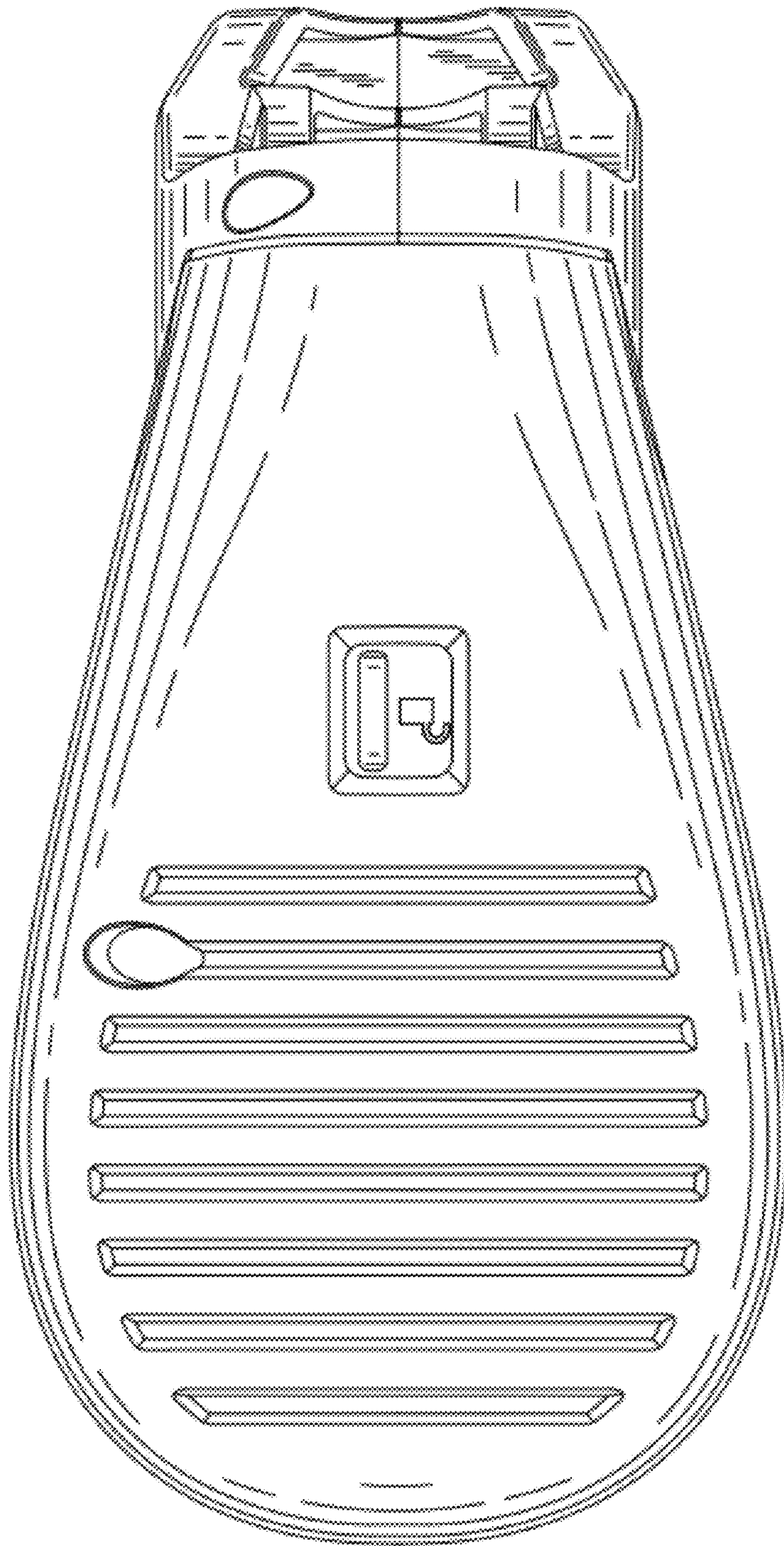


FIG. 20



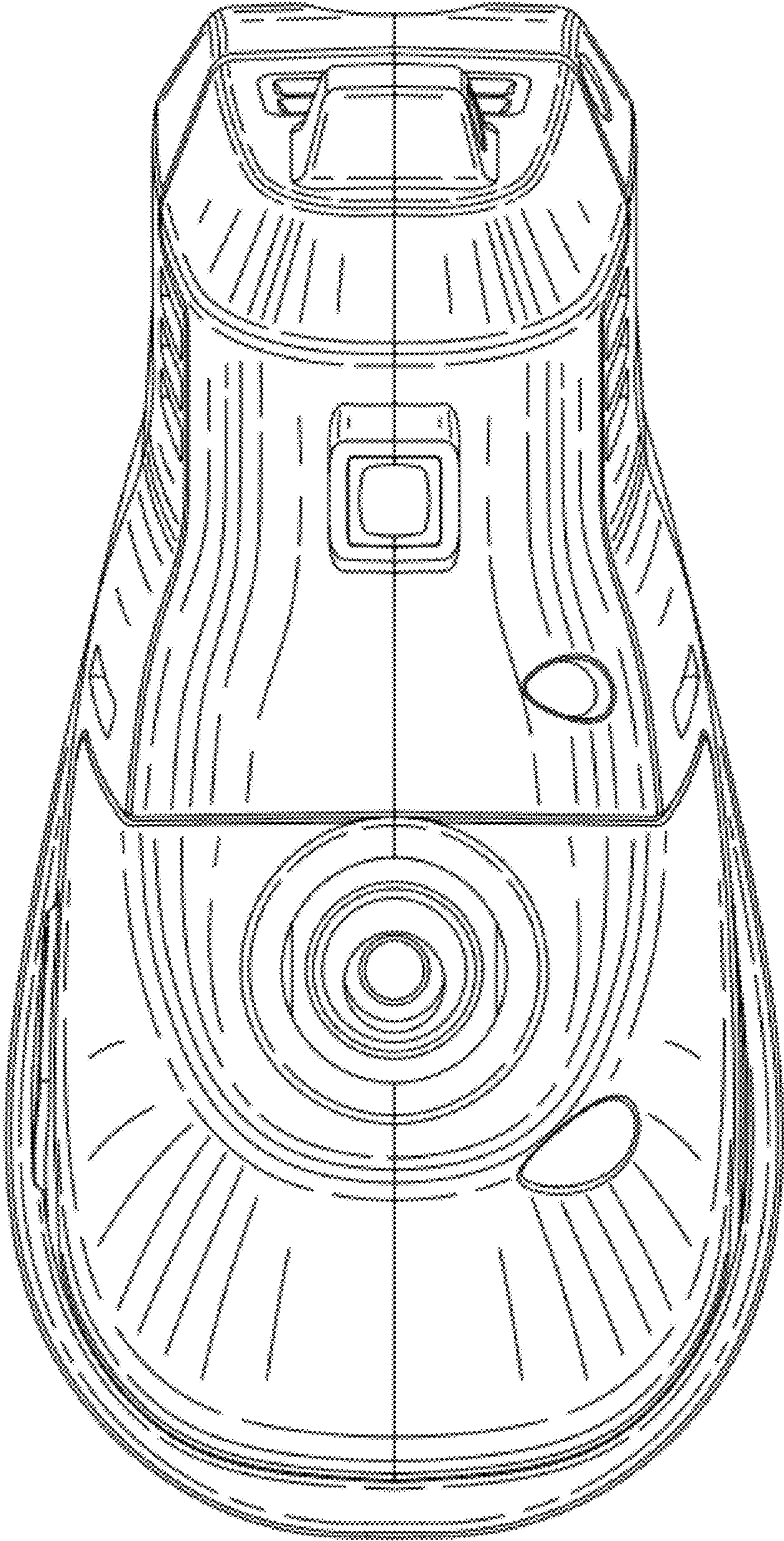


FIG. 21