



US00D660115S

(12) **United States Design Patent**
Montross

(10) **Patent No.:** **US D660,115 S**

(45) **Date of Patent:** **** May 22, 2012**

(54) **MATTRESS LIFT**

(76) Inventor: **Sam Montross**, Fort Lauderdale, FL
(US)

(**) Term: **14 Years**

(21) Appl. No.: **29/384,386**

(22) Filed: **Jan. 31, 2011**

Related U.S. Application Data

(60) Continuation-in-part of application No. 29/368,012, filed on Aug. 17, 2010, now Pat. No. Des. 632,937, which is a division of application No. 29/336,748, filed on May 8, 2009, now Pat. No. Des. 622,569.

(51) **LOC (9) Cl.** **08-05**

(52) **U.S. Cl.** **D8/47**

(58) **Field of Classification Search** D8/14,
D8/47, 88-89, 107, 402; 254/104; 292/342
See application file for complete search history.

(56) **References Cited**

U.S. PATENT DOCUMENTS

159,949 A	2/1875	McDermott
165,984 A	6/1875	Cosbey
188,376 A	3/1877	Kelly
466,104 A	12/1891	Neagele
542,559 A	7/1895	Harmon
D31,941 S	12/1899	Root
759,868 A	5/1904	Eioh
1,192,719 A	7/1911	Wells
1,195,423 A	8/1916	Waters
D107,109 S	11/1937	Carter
2,733,894 A	2/1956	Overman
3,185,442 A	5/1965	Hempill
3,377,052 A	4/1968	Hagen
3,381,937 A	5/1968	Zillman
D238,745 S	2/1976	Bedard et al.
D268,073 S	3/1983	Schaeffer
D268,804 S	5/1983	Bacon
4,433,463 A	2/1984	DuVal
4,451,024 A	5/1984	Shepherd
D275,540 S	9/1984	Barkow
4,520,518 A	6/1985	Reaser

D286,008 S	10/1986	Hillinger
4,688,761 A	8/1987	Wilcox
4,890,345 A	1/1990	Sessa
D317,482 S	6/1991	Michaelsen et al.
5,290,012 A	3/1994	Cottriel et al.
5,374,033 A	12/1994	Tilman
RE34,889 E	4/1995	Fogarty et al.
D362,376 S	9/1995	Oaks
5,690,316 A	11/1997	Madjarac
D410,380 S	6/1999	Towns
D493,078 S	7/2004	McGee et al.
6,886,203 B2	5/2005	Drakos et al.
D563,744 S	3/2008	Adwar
7,398,569 B2	7/2008	Sakaldasis et al.
D590,676 S	4/2009	Pickard
7,581,270 B1	9/2009	Levensque
D602,324 S	10/2009	Hancock et al.
7,644,964 B2	1/2010	Bushey et al.
7,707,669 B1	5/2010	Richardson
2007/0271706 A1	11/2007	Gonser
2008/0040856 A1	2/2008	Adamson et al.
2008/0040859 A1	2/2008	Harris-Adamson et al.
2011/0099713 A1	5/2011	Gonser, Jr.

Primary Examiner — Philip S Hyder

Assistant Examiner — Roselynn Ulm Cody

(74) *Attorney, Agent, or Firm* — Christopher & Weisberg, P.A.

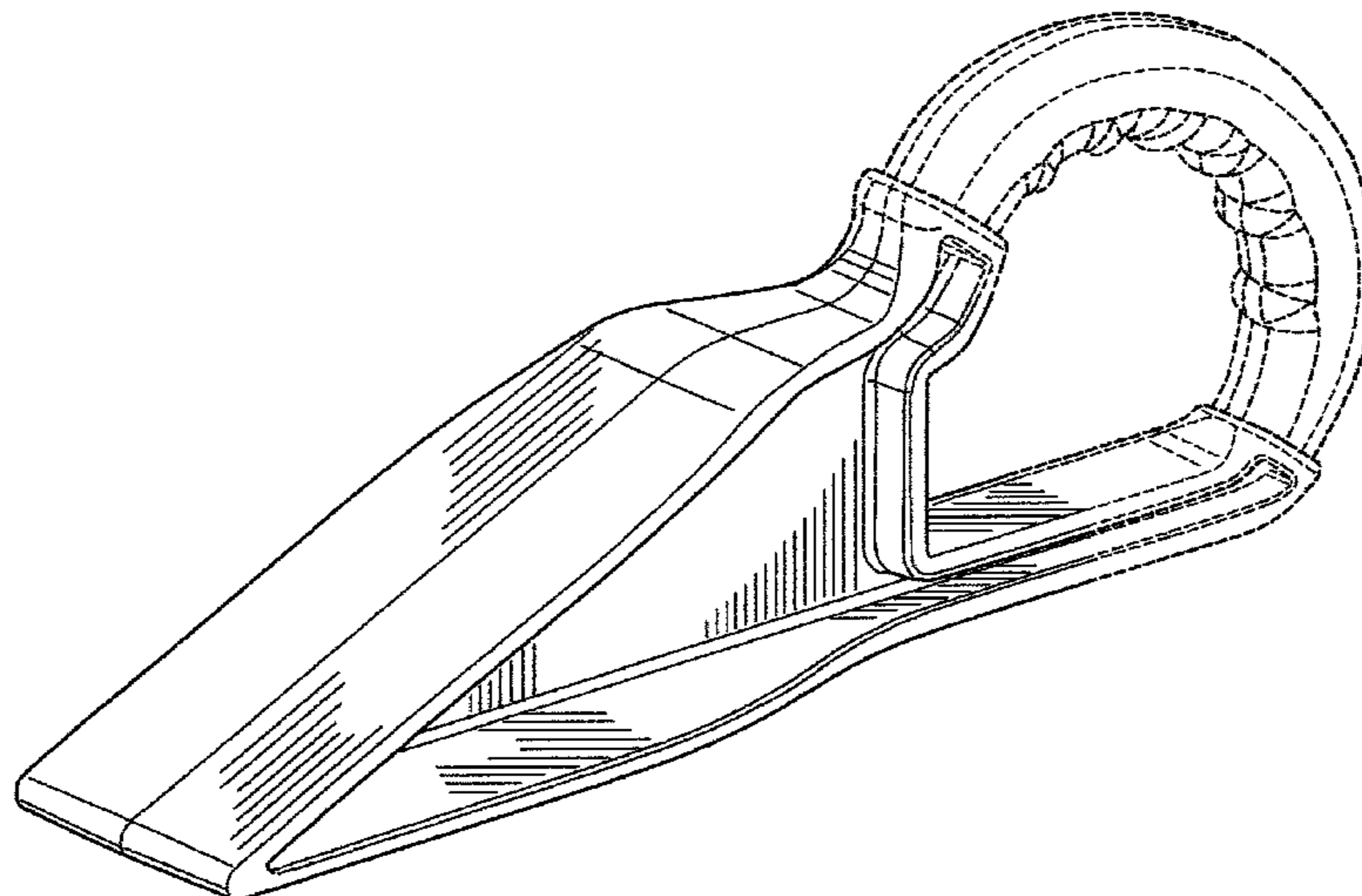
(57) **CLAIM**

The ornamental design for a mattress lift, as shown and described.

DESCRIPTION

FIG. 1 is perspective view of a mattress lift showing my new design;
FIG. 2 is another perspective view thereof;
FIG. 3 is a front elevation view thereof;
FIG. 4 is a rear elevation view thereof;
FIG. 5 is a side elevation view thereof;
FIG. 6 is a top plan view thereof; and,
FIG. 7 is a bottom plan view thereof.
The broken lines, which define the bounds of the claimed design, form no part thereof.

1 Claim, 5 Drawing Sheets



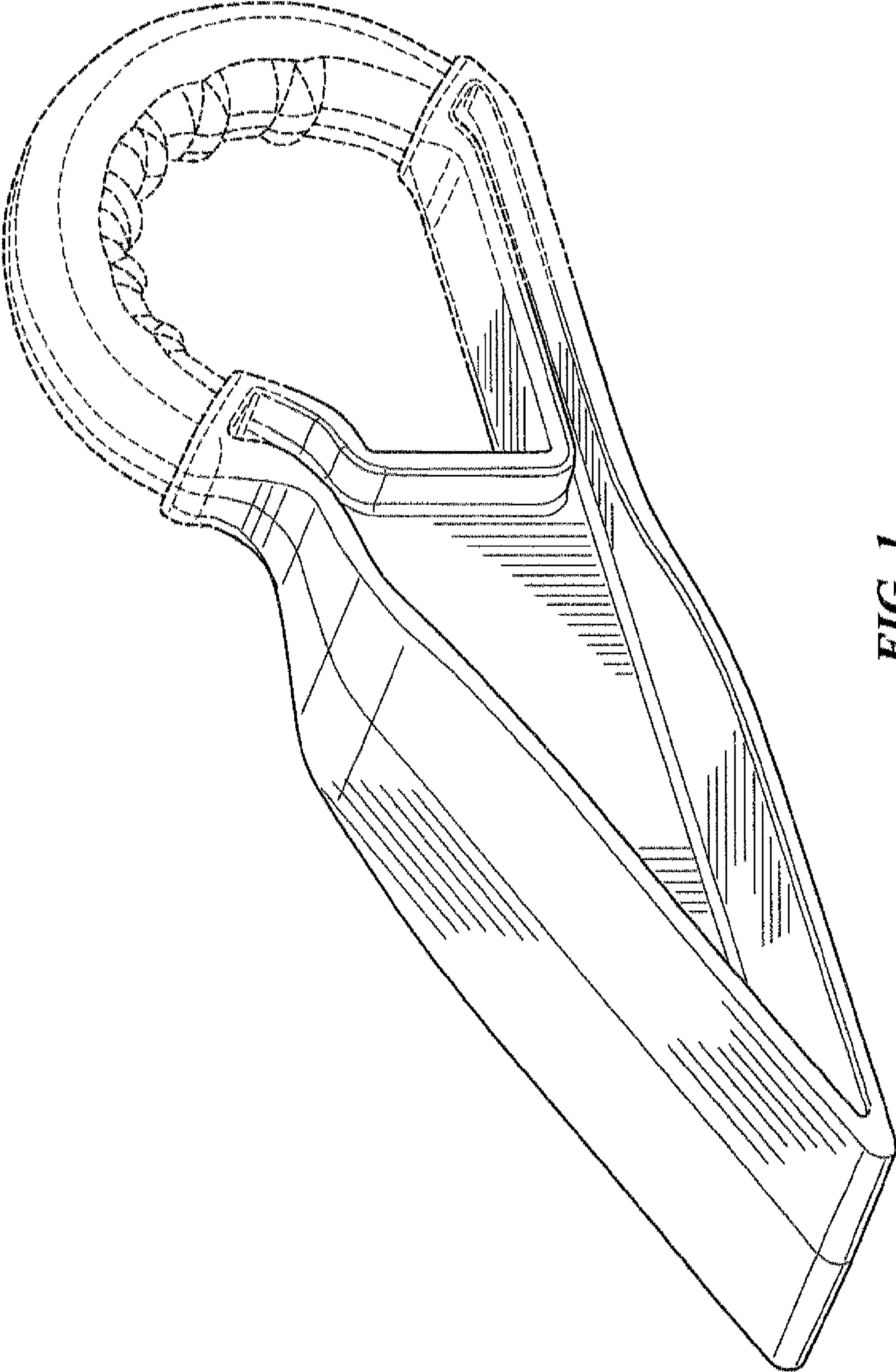


FIG. 1

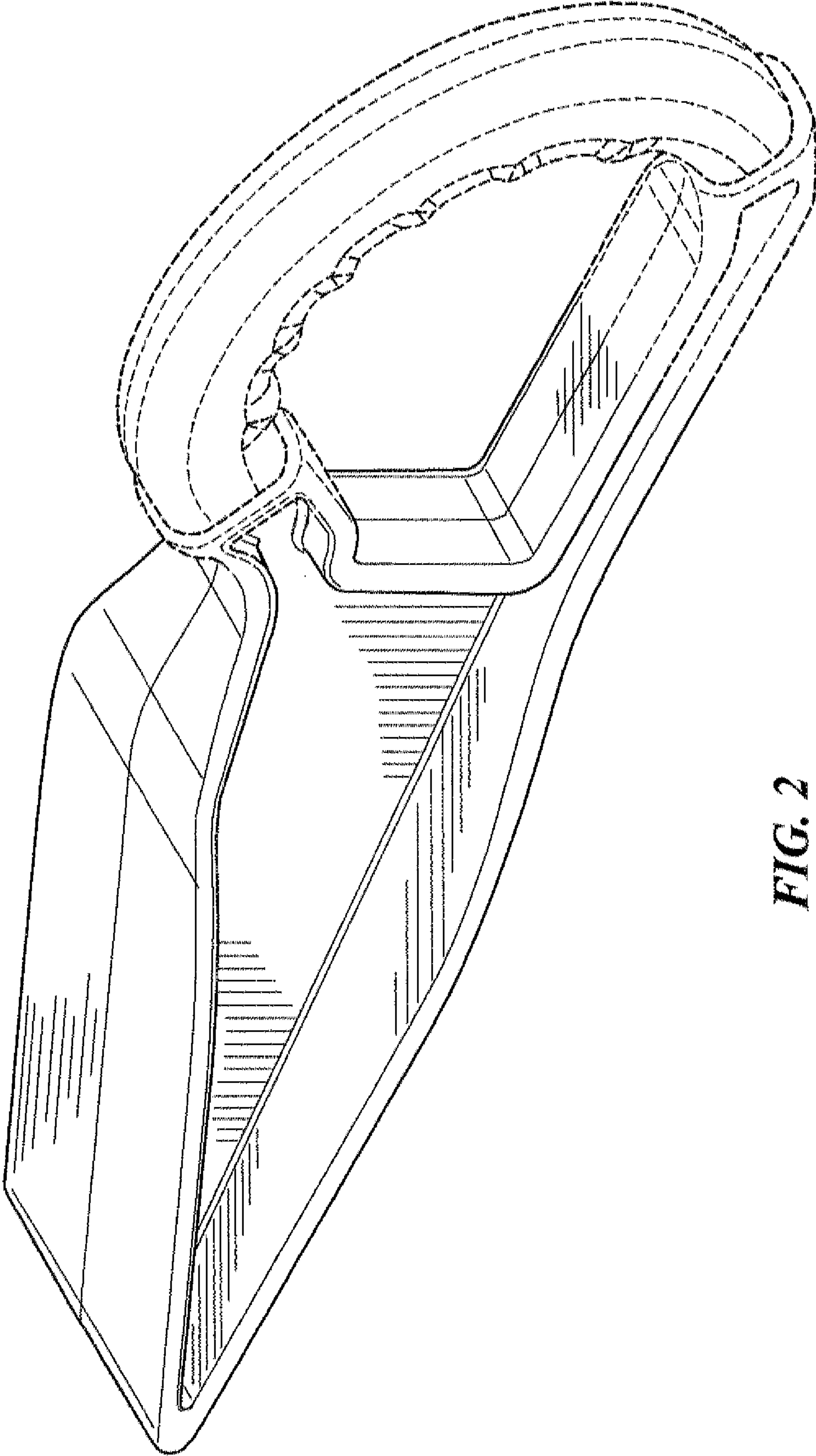


FIG. 2

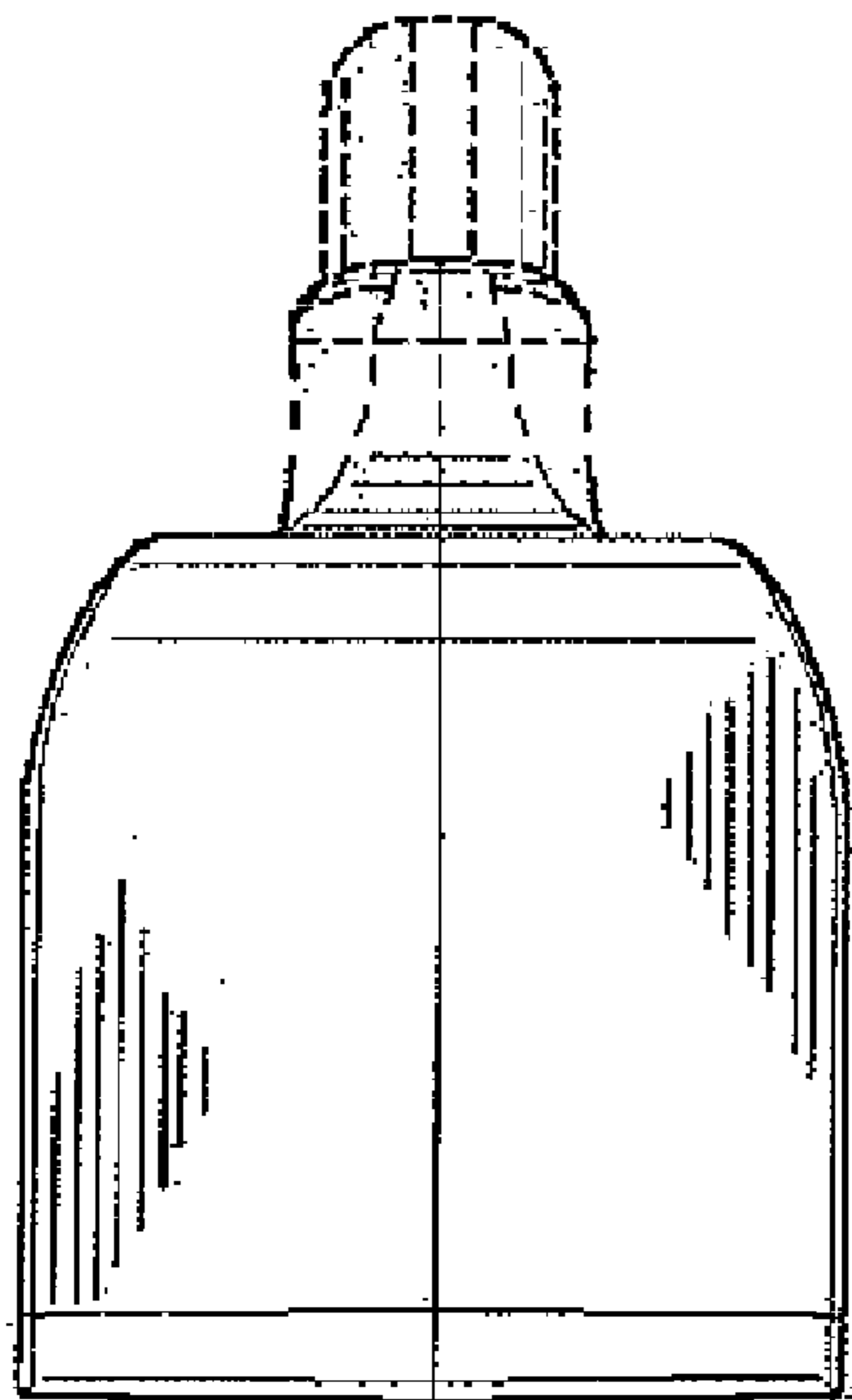


FIG. 3

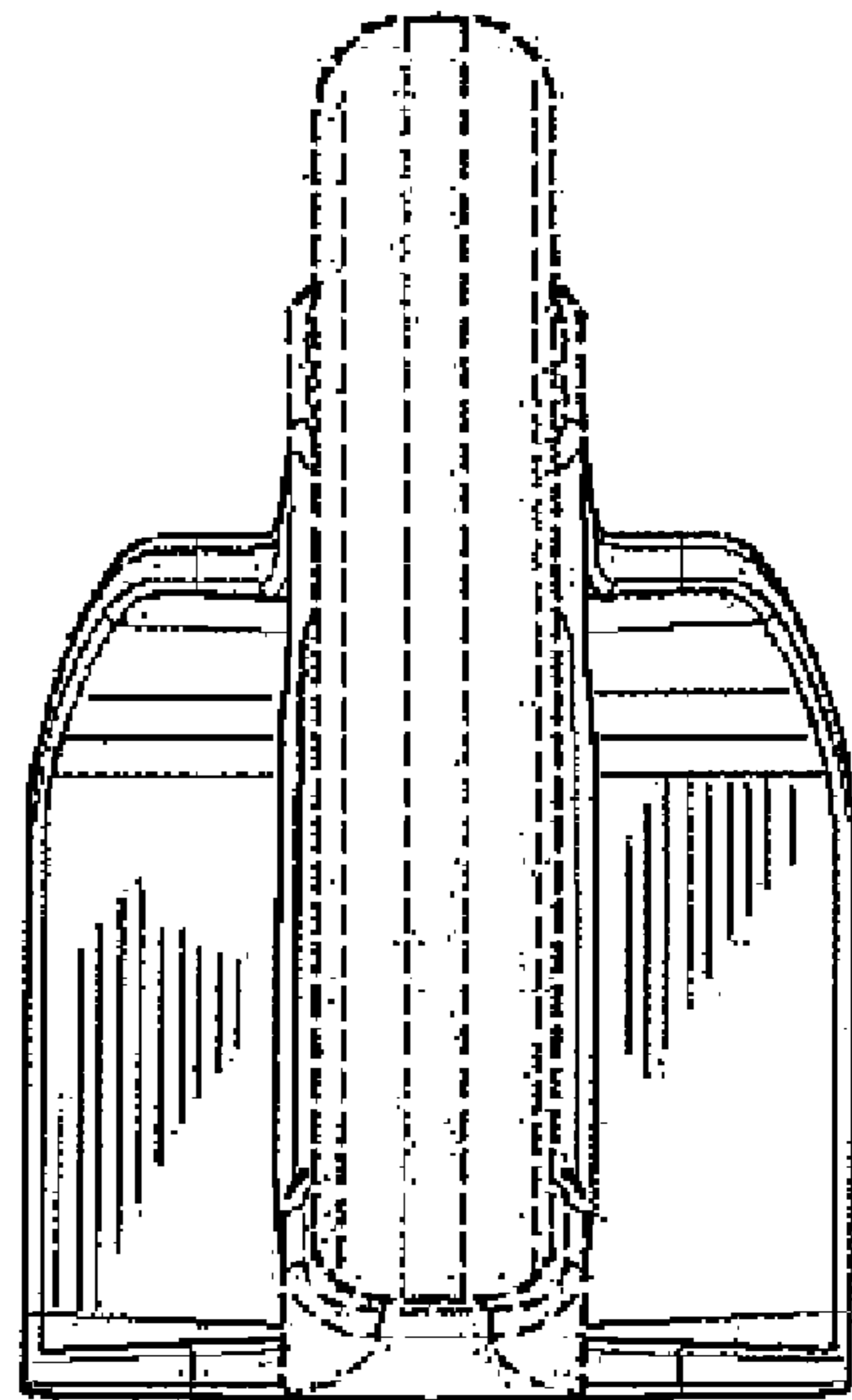


FIG. 4

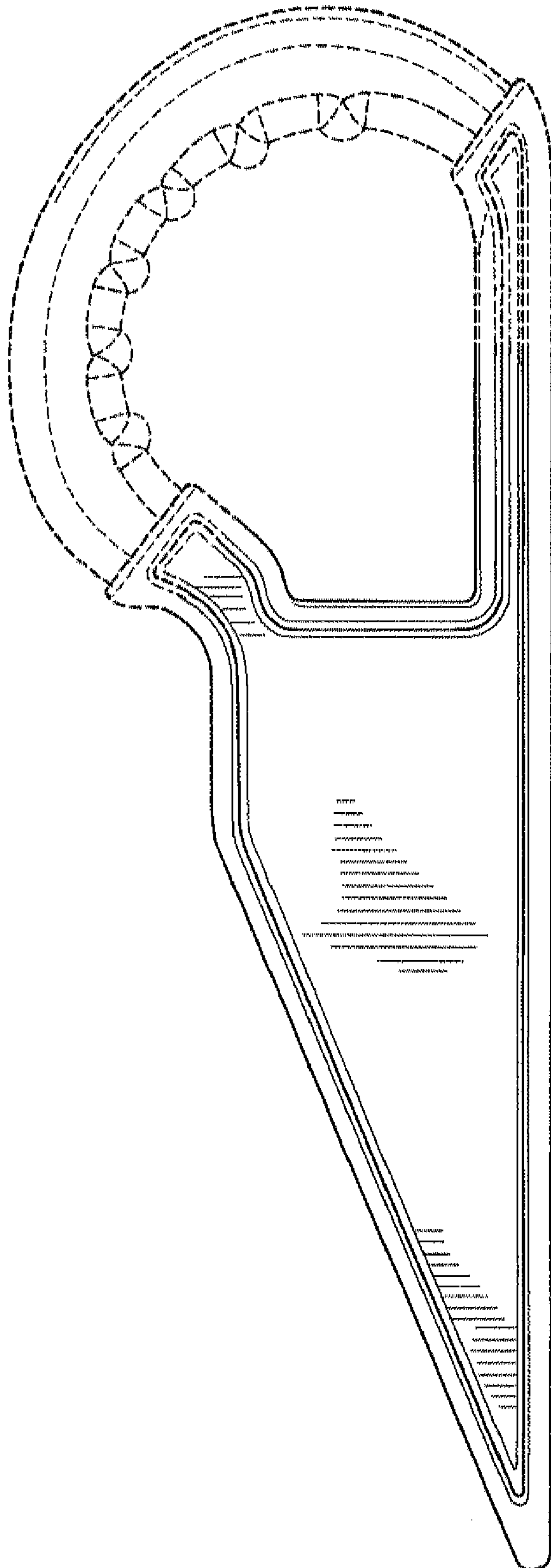


FIG. 5

FIG. 6

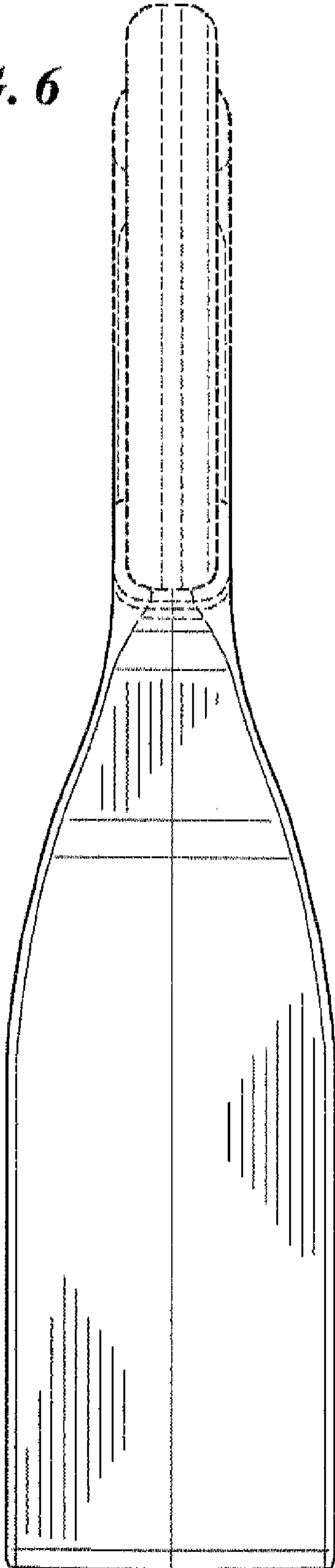


FIG. 7

