



US00D660113S

(12) **United States Design Patent**
Bigelow

(10) **Patent No.:** **US D660,113 S**

(45) **Date of Patent:** **** May 22, 2012**

(54) **BEVERAGE CAP OPENER**

(76) Inventor: **James Bigelow**, Lakewood, WA (US)

(**) Term: **14 Years**

(21) Appl. No.: **29/391,063**

(22) Filed: **May 3, 2011**

(51) **LOC (9) Cl.** **07-99**

(52) **U.S. Cl.** **D8/38**

(58) **Field of Classification Search** D8/14,
D8/16-19, 33-43, 88, 89, 105; 7/113, 151-156;
30/400-410, 416-430, 433, 434, 443, 450;
81/3.07, 3.09, 3.2, 3.27, 3.29, 3.31, 3.35,
81/3.37, 3.4, 3.45, 3.48, 3.49, 3.55
See application file for complete search history.

(56) **References Cited**

U.S. PATENT DOCUMENTS

D141,816 S *	7/1945	Johnson	D8/38
D141,817 S *	7/1945	Johnson	D8/38
D271,372 S *	11/1983	Fortune	D8/14
D275,831 S *	10/1984	Legerius et al.	D8/14
D282,343 S *	1/1986	Pinder	D8/40
D328,844 S *	8/1992	Fritz	D8/14
D368,006 S *	3/1996	Aldrich	D8/14
D373,297 S *	9/1996	Hill	D8/105

D374,740 S *	10/1996	Seaman et al.	D8/34
D390,763 S *	2/1998	Nasir	D8/14
D403,562 S *	1/1999	Molaro	D8/38
D577,553 S *	9/2008	Faust	D8/14
D635,423 S *	4/2011	Prickett	D8/34

* cited by examiner

Primary Examiner — Garth Rademaker

(74) *Attorney, Agent, or Firm* — Dean A. Craine

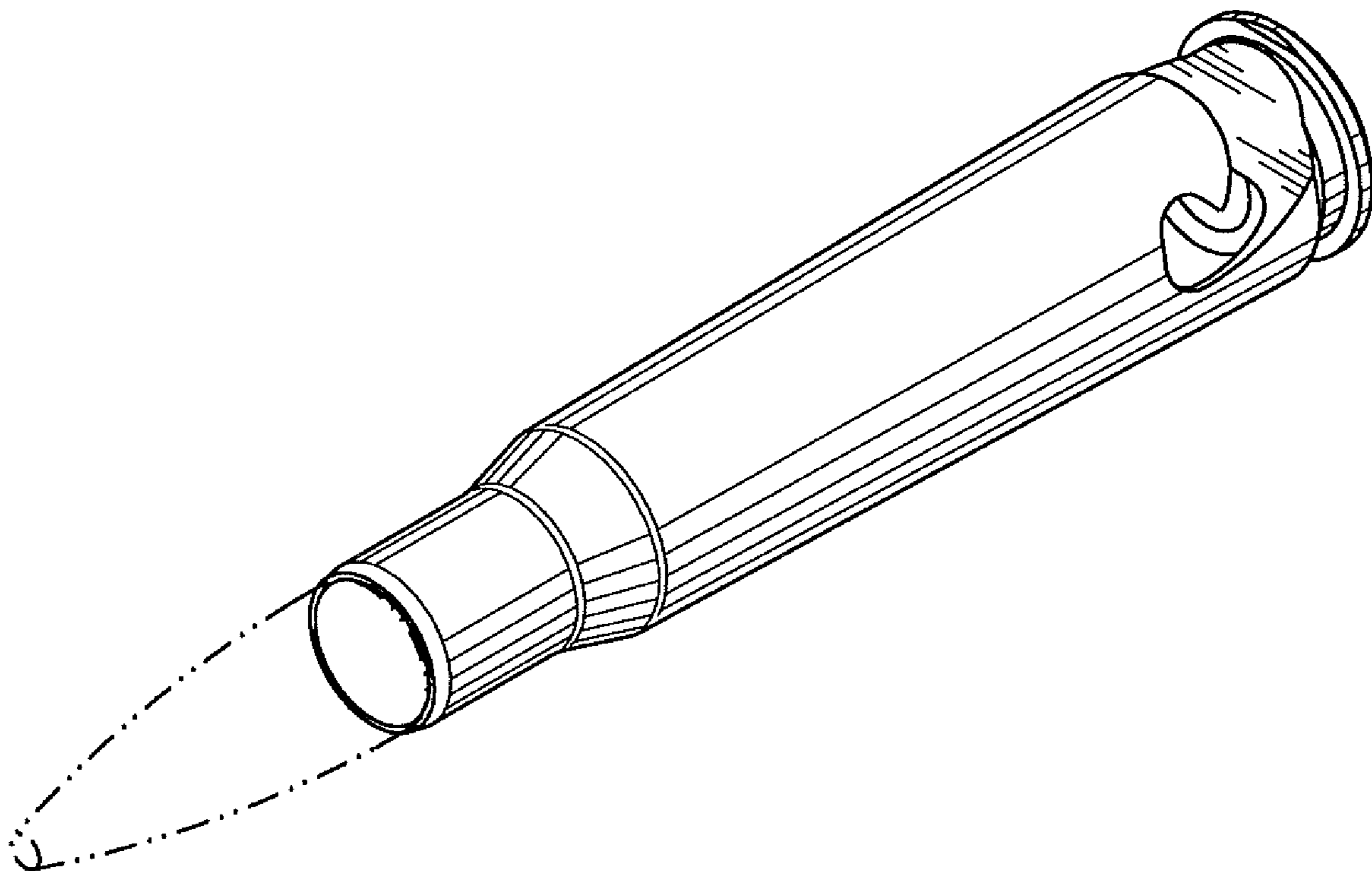
(57) **CLAIM**

The ornamental design for a beverage cap opener, as shown and described.

DESCRIPTION

FIG. 1 is a perspective view of a beverage cap opener.
 FIG. 2 is a top plan view of the beverage cap opener.
 FIG. 3 is a right side elevational view of the beverage cap opener.
 FIG. 4 is a bottom plan view of the beverage cap opener.
 FIG. 5 is a left side elevational view of the beverage cap opener.
 FIG. 6 is a front elevational view of the beverage cap opener; and,
 FIG. 7 is a rear elevational view of the beverage cap opener.
 The broken lines depict environmental subject matter only and form no part of the claimed design.

1 Claim, 2 Drawing Sheets



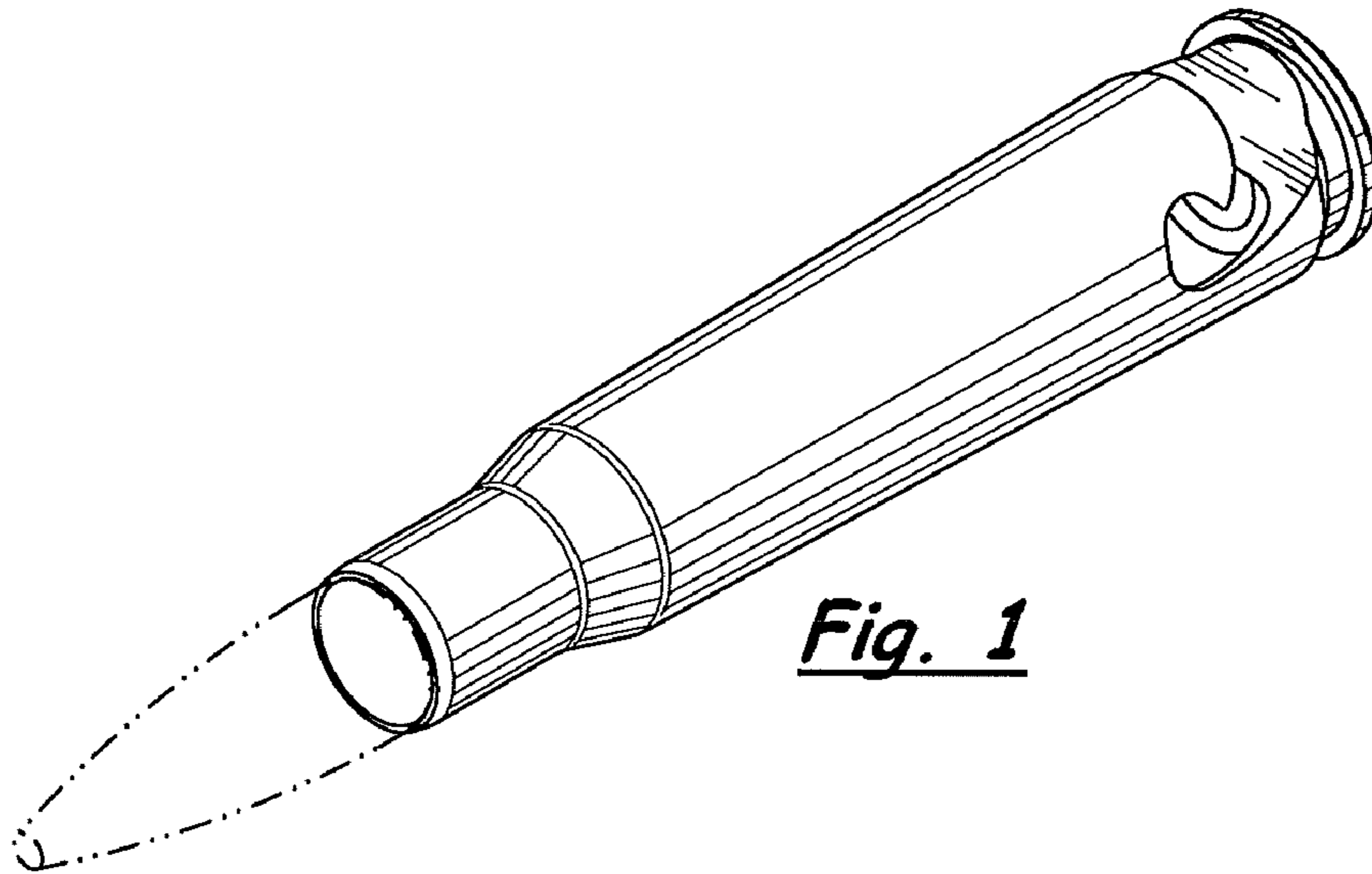


Fig. 1

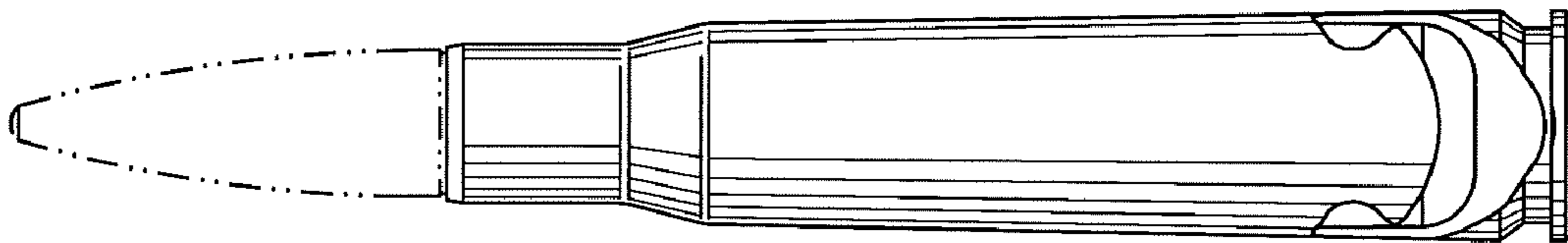


Fig. 2

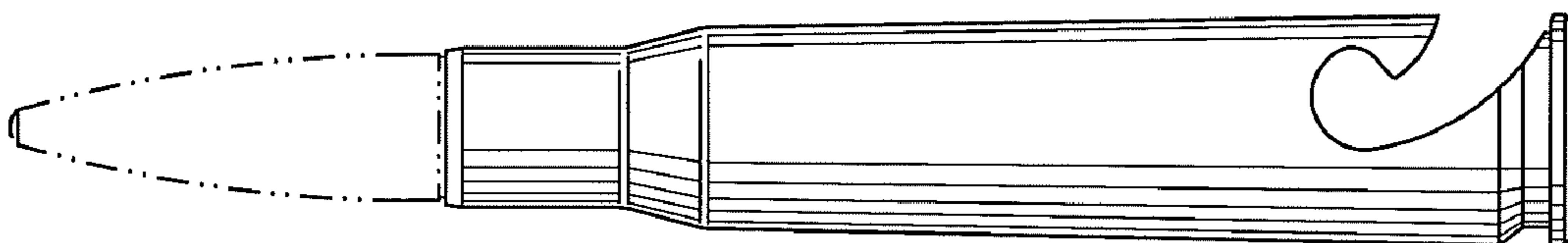


Fig. 3

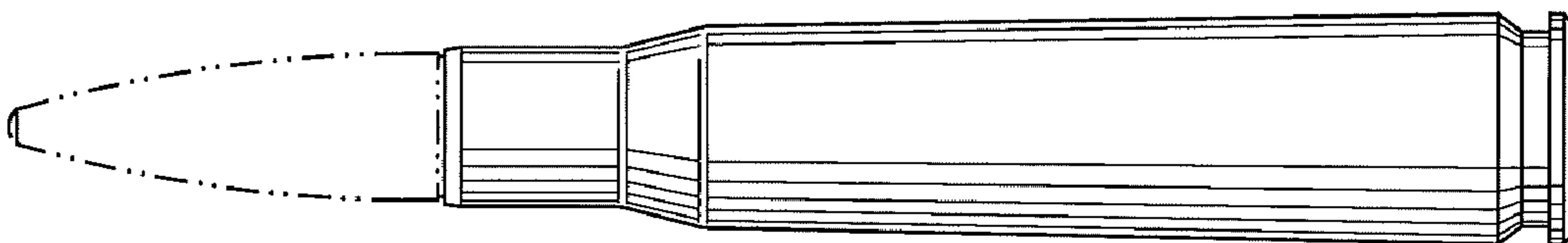


Fig. 4

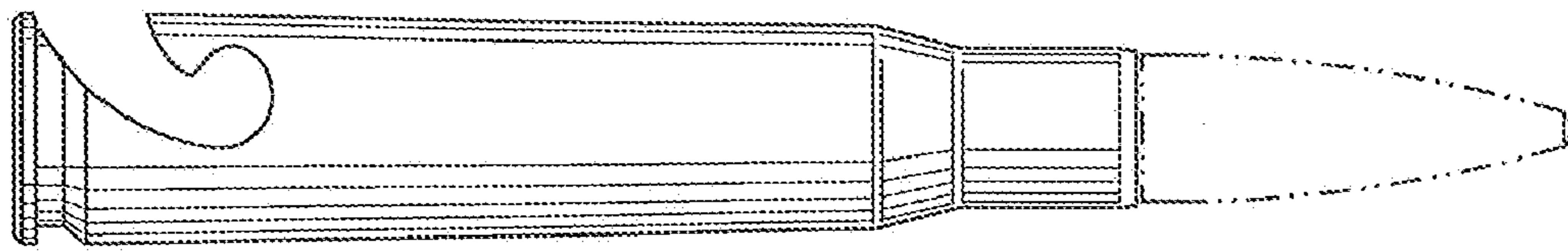


Fig. 5

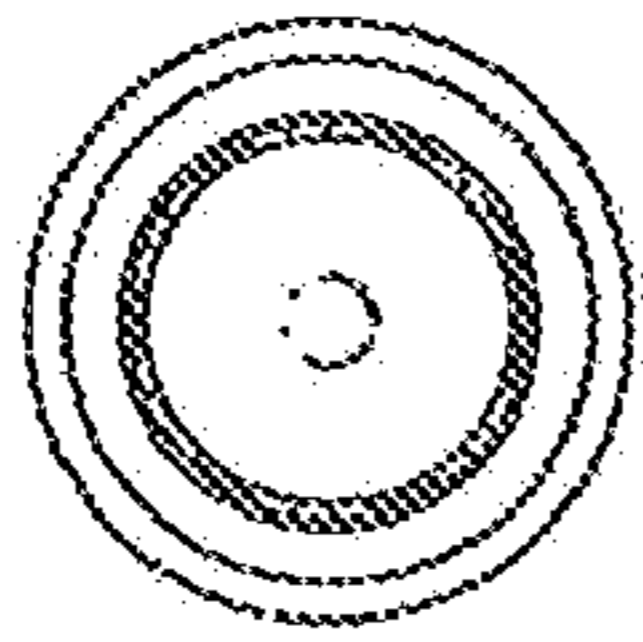


Fig. 6

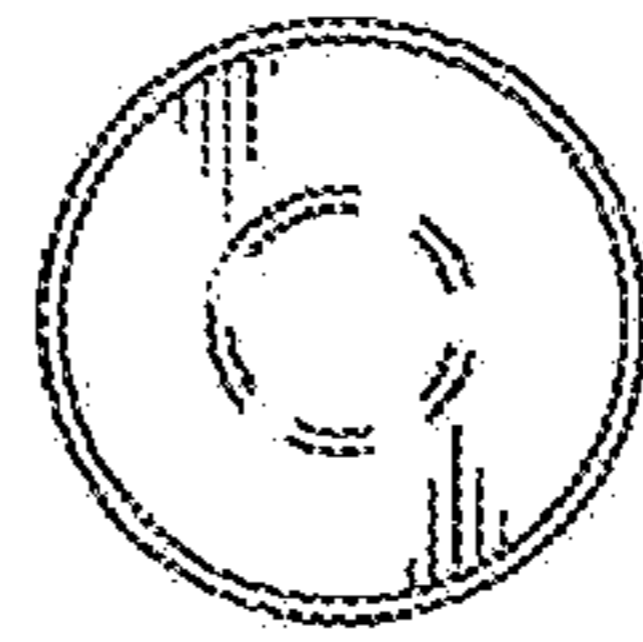


Fig. 7