

US00D660111S

(12) **United States Design Patent**
Laurie

(10) **Patent No.:** **US D660,111 S**

(45) **Date of Patent:** **** May 22, 2012**

(54) **LOW PROFILE SOCKET INTERFACE**

(76) Inventor: **Mark Laurie**, Palm Beach Gardens, FL
(US)

(**) Term: **14 Years**

(21) Appl. No.: **29/389,281**

(22) Filed: **Apr. 8, 2011**

Related U.S. Application Data

(60) Continuation-in-part of application No. 29/378,798, filed on Nov. 9, 2010, now Pat. No. Des. 636,650, and a continuation-in-part of application No. 29/378,797, filed on Nov. 9, 2010, now Pat. No. Des. 636,240, which is a division of application No. 29/364,821, filed on Jun. 29, 2010, now Pat. No. Des. 628,868, which is a continuation-in-part of application No. 12/332,328, filed on Dec. 10, 2008, now abandoned.

(51) **LOC (9) Cl.** **08-05**

(52) **U.S. Cl.** **D8/29**

(58) **Field of Classification Search** D8/21-29;
81/58.3-59, 160, 177.1, 177.85, 121.1, 124.3,
81/165-170, 110.1, 176.2, 124.6, 176.1,
81/176.15, 177.2; 16/110.1; D15/144.1;
219/75, 227, 229, 121.16, 121.18

See application file for complete search history.

(56) **References Cited**

U.S. PATENT DOCUMENTS

4,616,535	A *	10/1986	Chiavon	81/121.1
4,817,475	A *	4/1989	Kelly et al.	81/121.1
5,140,875	A *	8/1992	Kim	81/63.1
5,448,930	A *	9/1995	Miner et al.	81/57.39
D425,385	S *	5/2000	Jarvis	D8/29
6,601,477	B2 *	8/2003	Huang	81/60

D517,383	S *	3/2006	Walls, Jr.	D8/29
7,010,998	B2 *	3/2006	Ying-Hao	81/121.1
D570,169	S *	6/2008	Lin	D8/29
2003/0097913	A1 *	5/2003	Hu	81/60
2003/0126957	A1 *	7/2003	Huang	81/60

* cited by examiner

Primary Examiner — Raphael Barkai

Assistant Examiner — Randall Gholson

(74) *Attorney, Agent, or Firm* — Gold & Rizvi, P.A.; Glenn E. Gold; H. John Rizvi

(57) **CLAIM**

I claim the ornamental design for low profile socket interface, as shown and described.

DESCRIPTION

FIG. 1 is an isometric top view of a low profile socket interface showing my new design;

FIG. 2 is an isometric bottom view thereof;

FIG. 3 is an elevation first side view thereof;

FIG. 4 is an elevation second side view rotating 90 degrees thereof;

FIG. 5 is an elevation third side view rotating 180 degrees thereof;

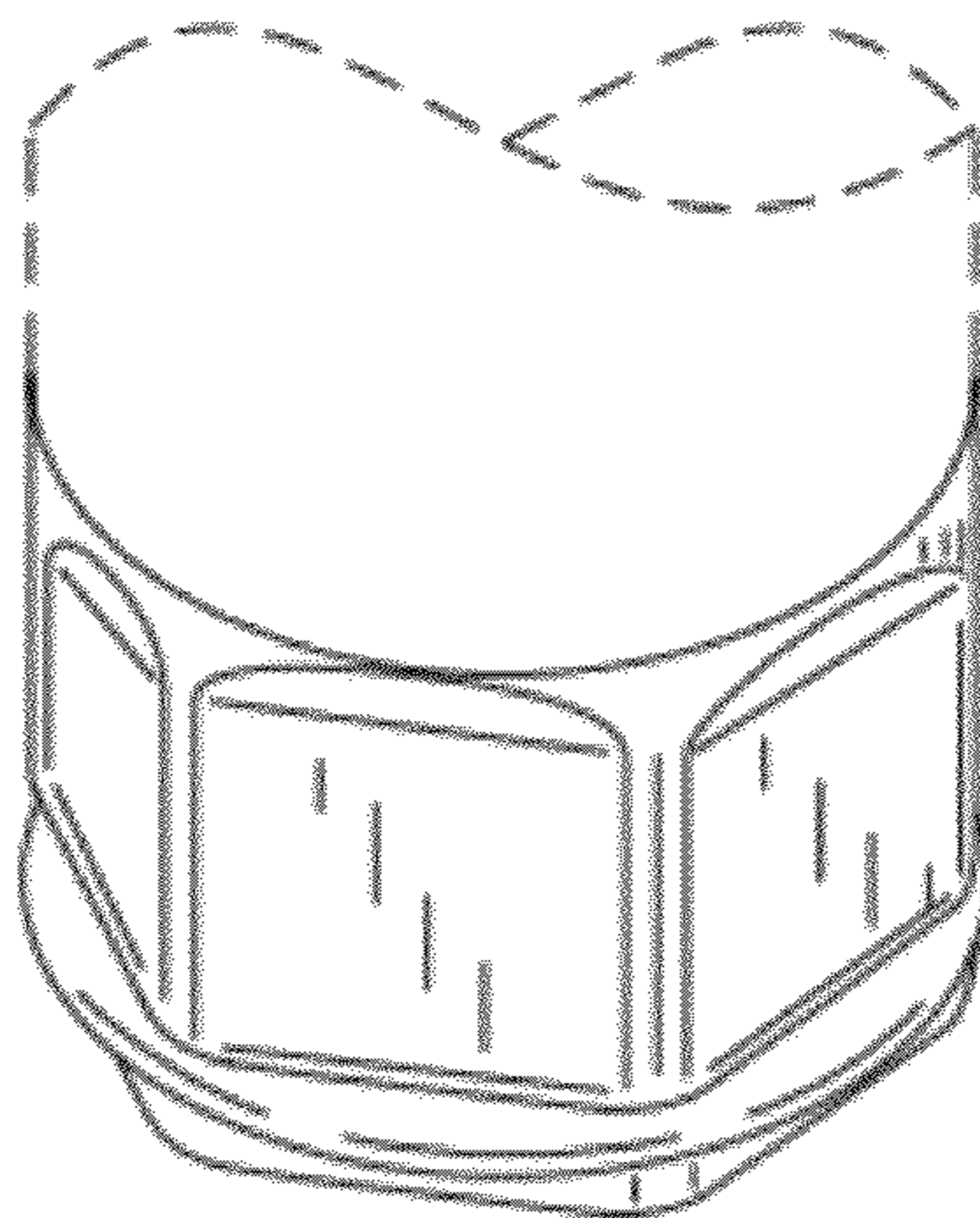
FIG. 6 is an elevation fourth side view rotating 270 degrees thereof;

FIG. 7 is a plan top view thereof; and,

FIG. 8 is a plan bottom view thereof.

The broken lines showing throughout the FIGS are representative of a tool end of the interface and are included for illustrative purposes only and form no part of the claimed invention.

1 Claim, 4 Drawing Sheets



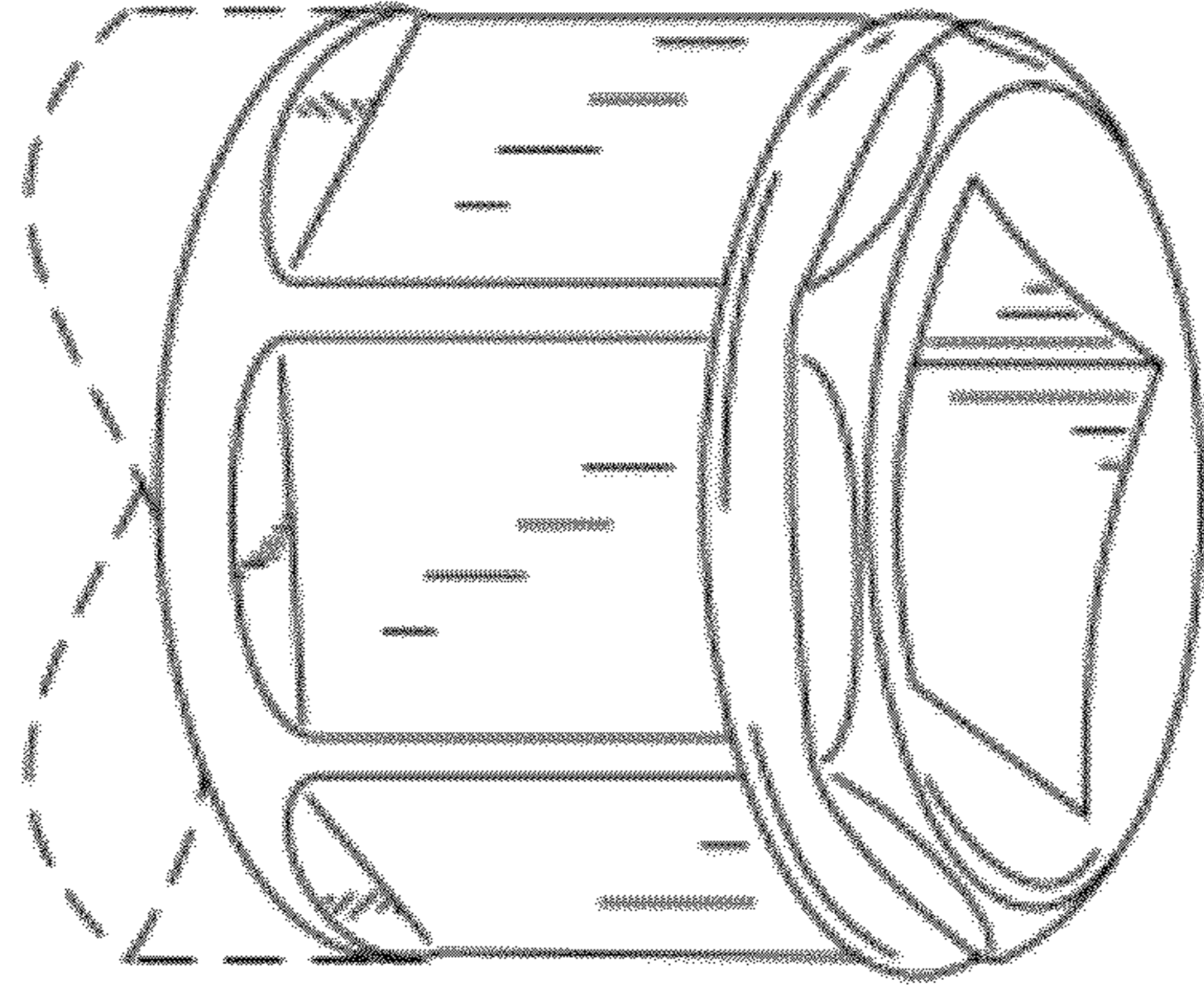


FIG. 2

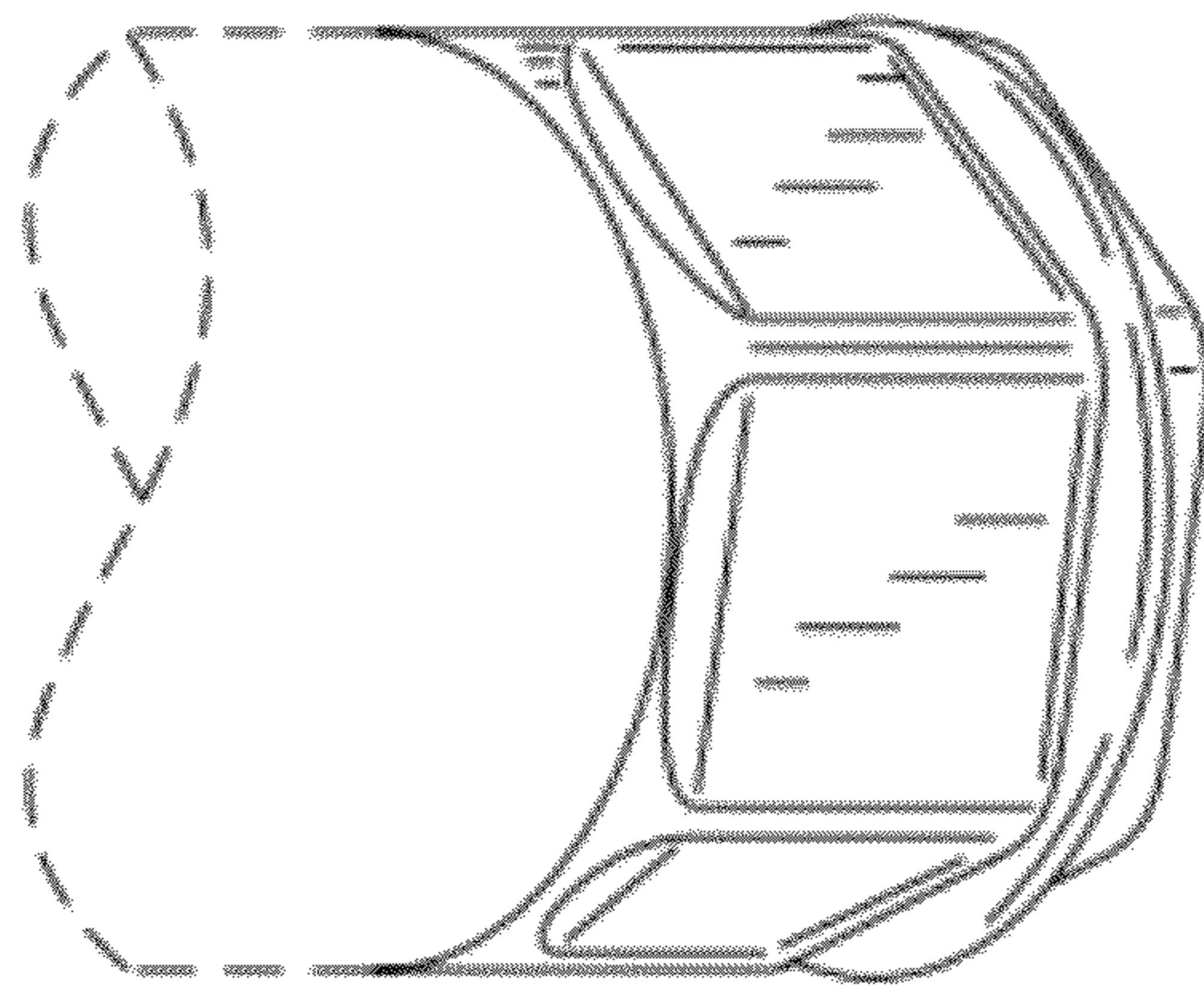


FIG. 1

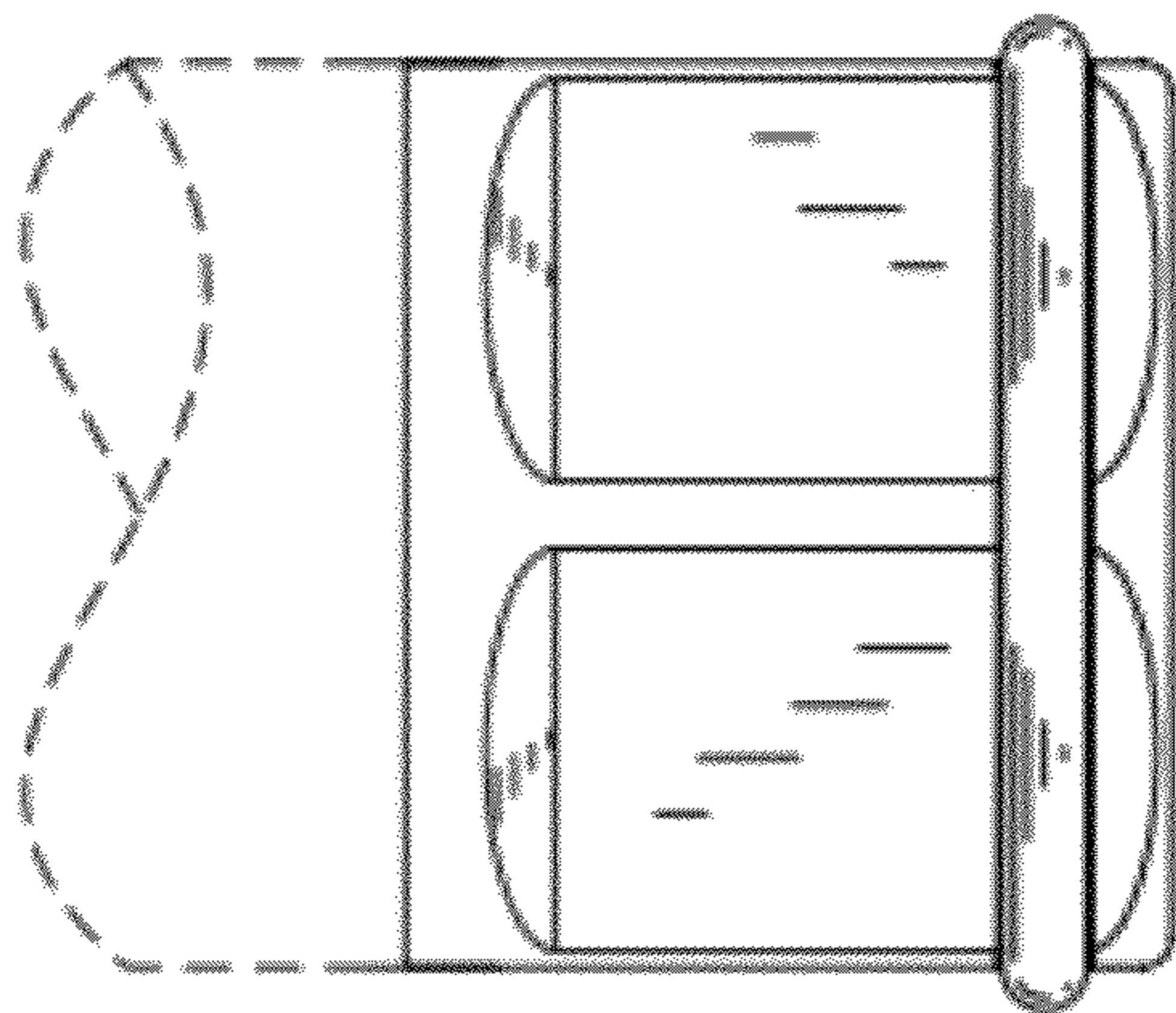


FIG. 4

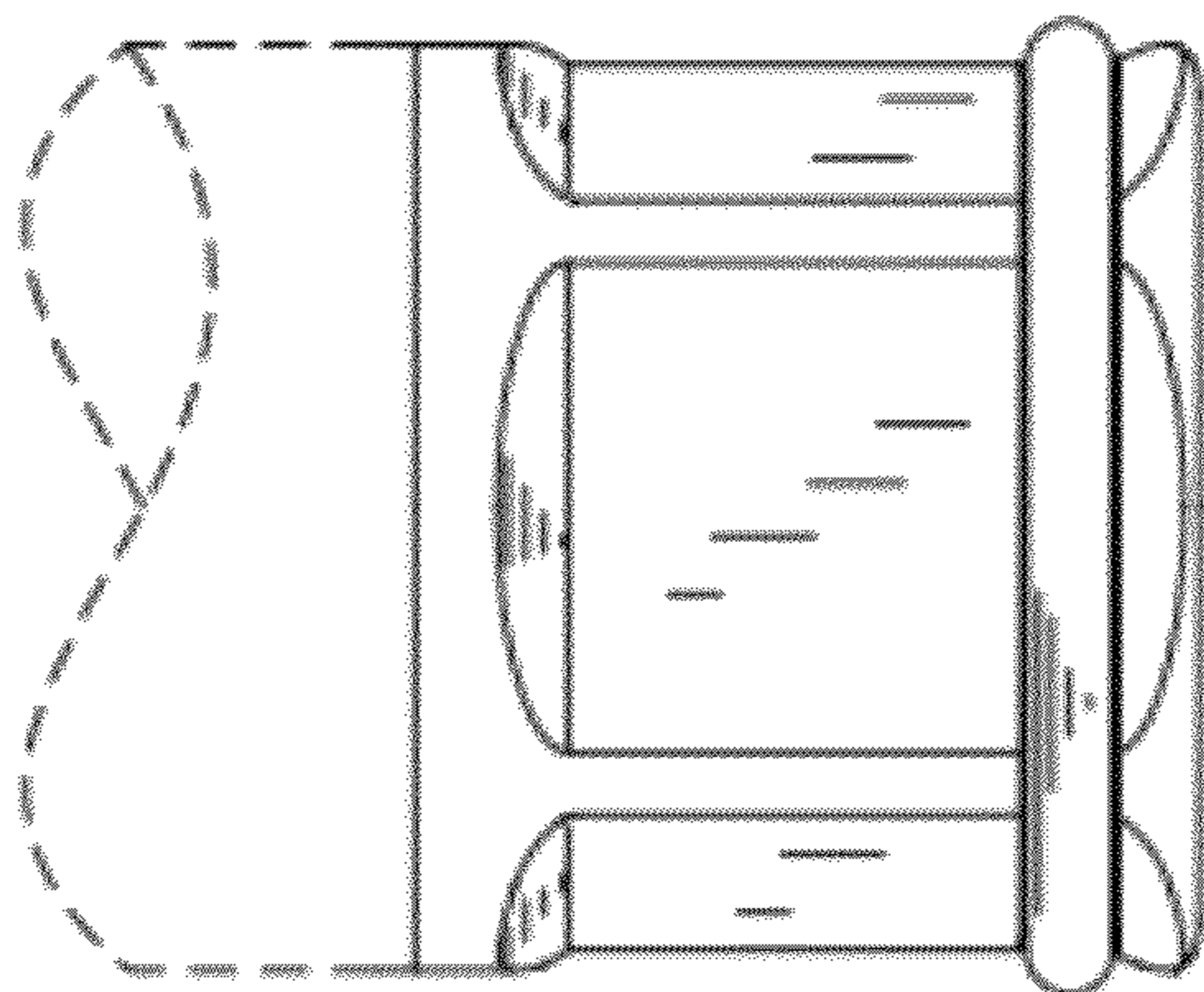


FIG. 3

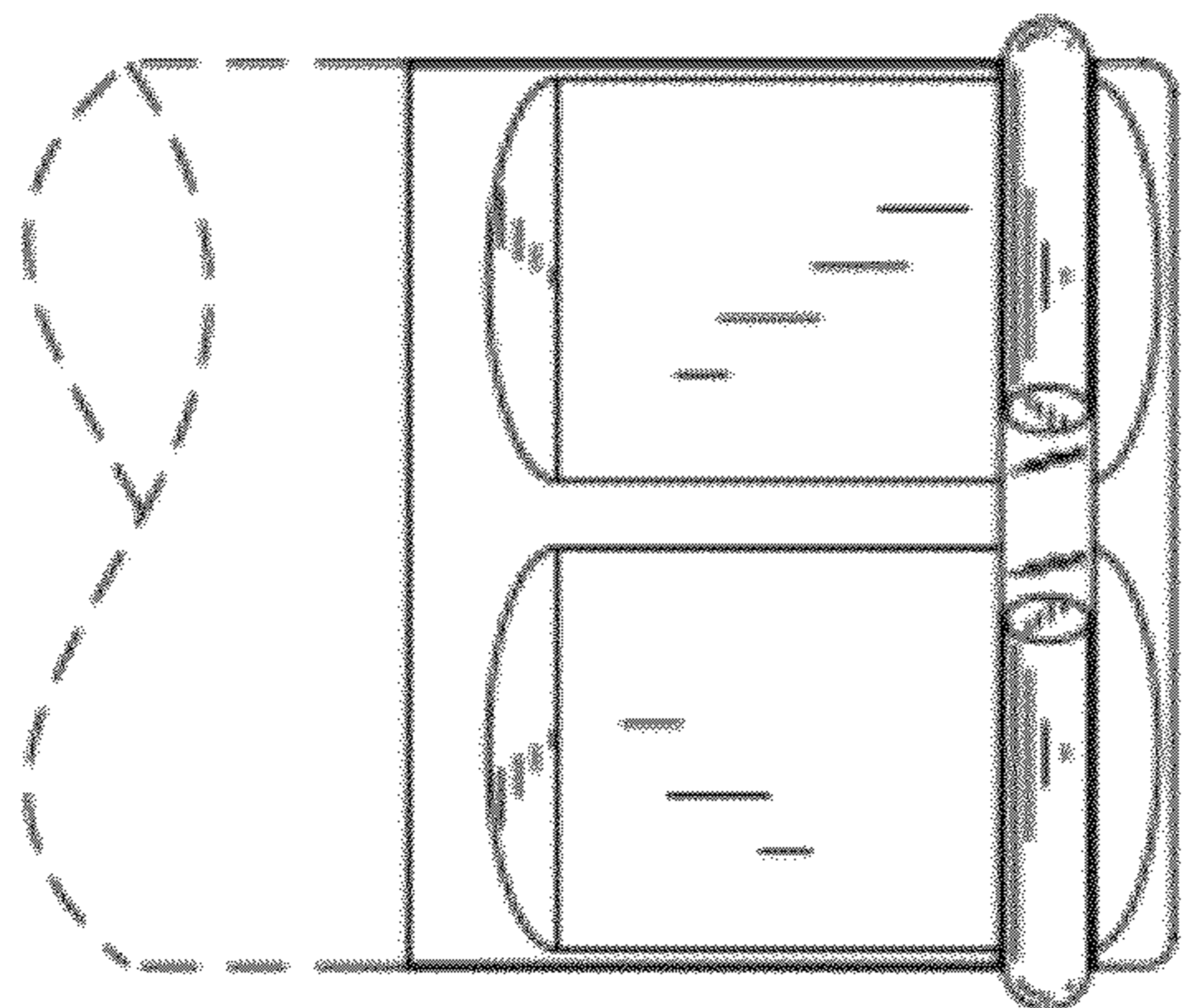


FIG. 6

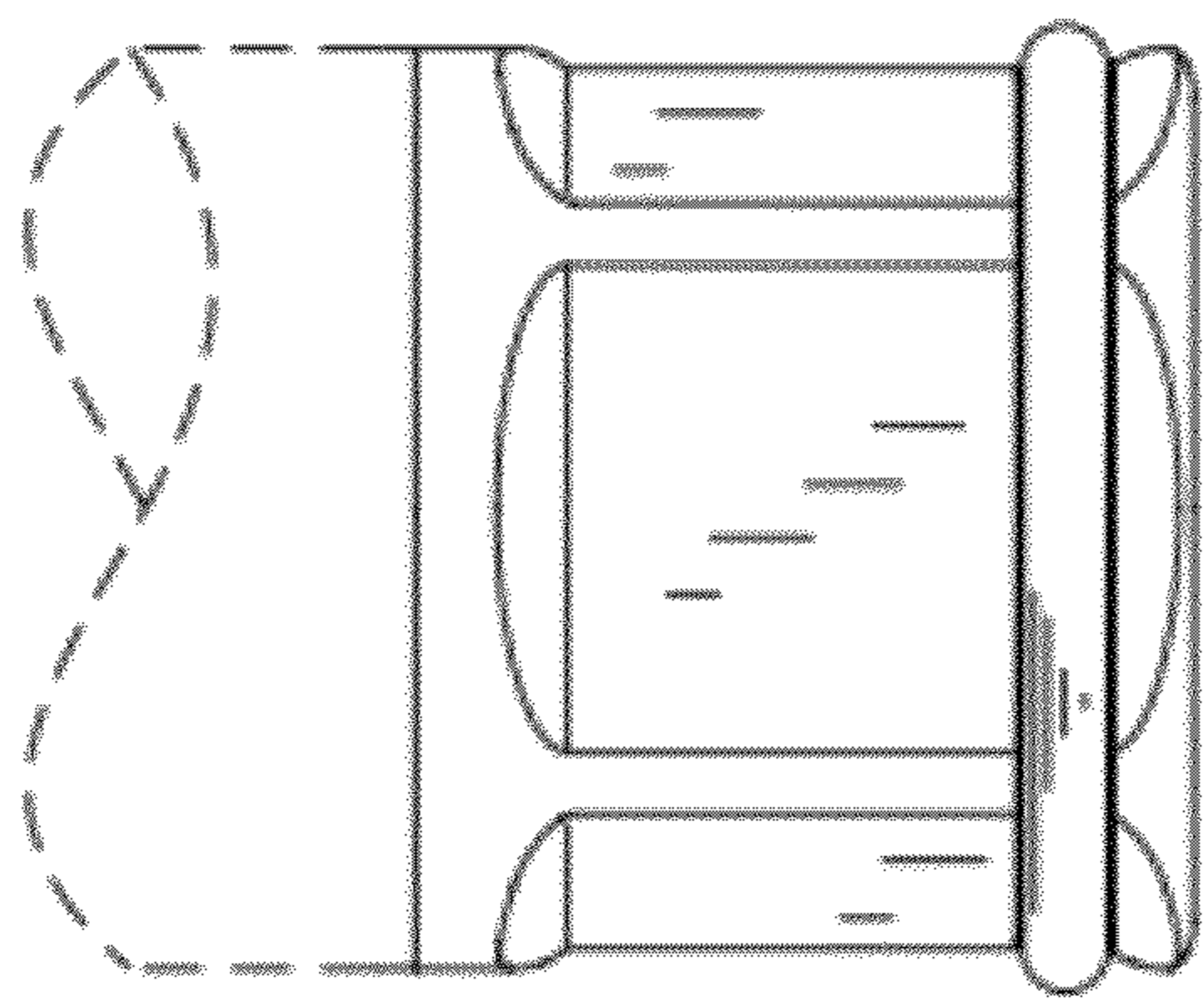


FIG. 5

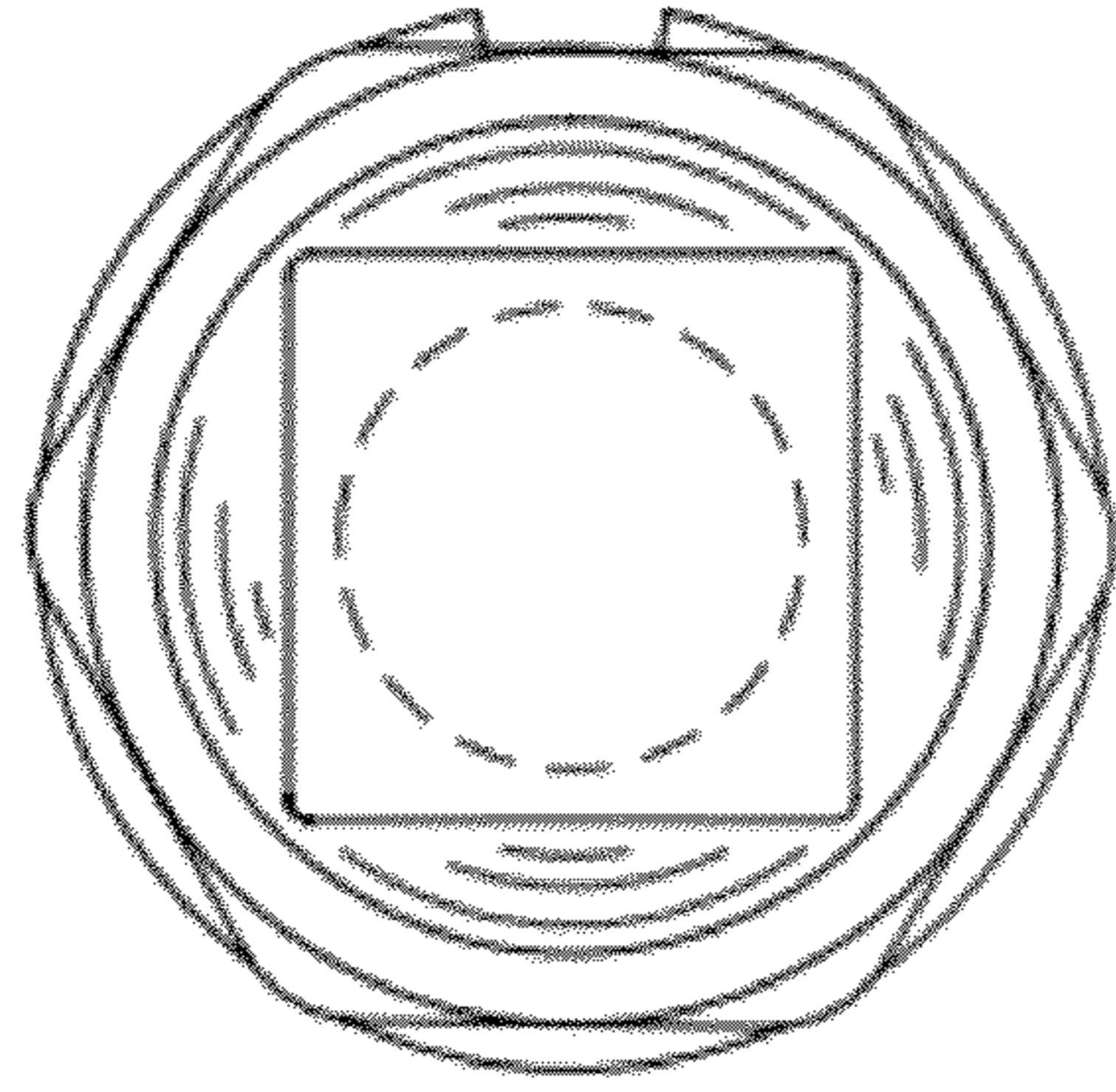


FIG. 8

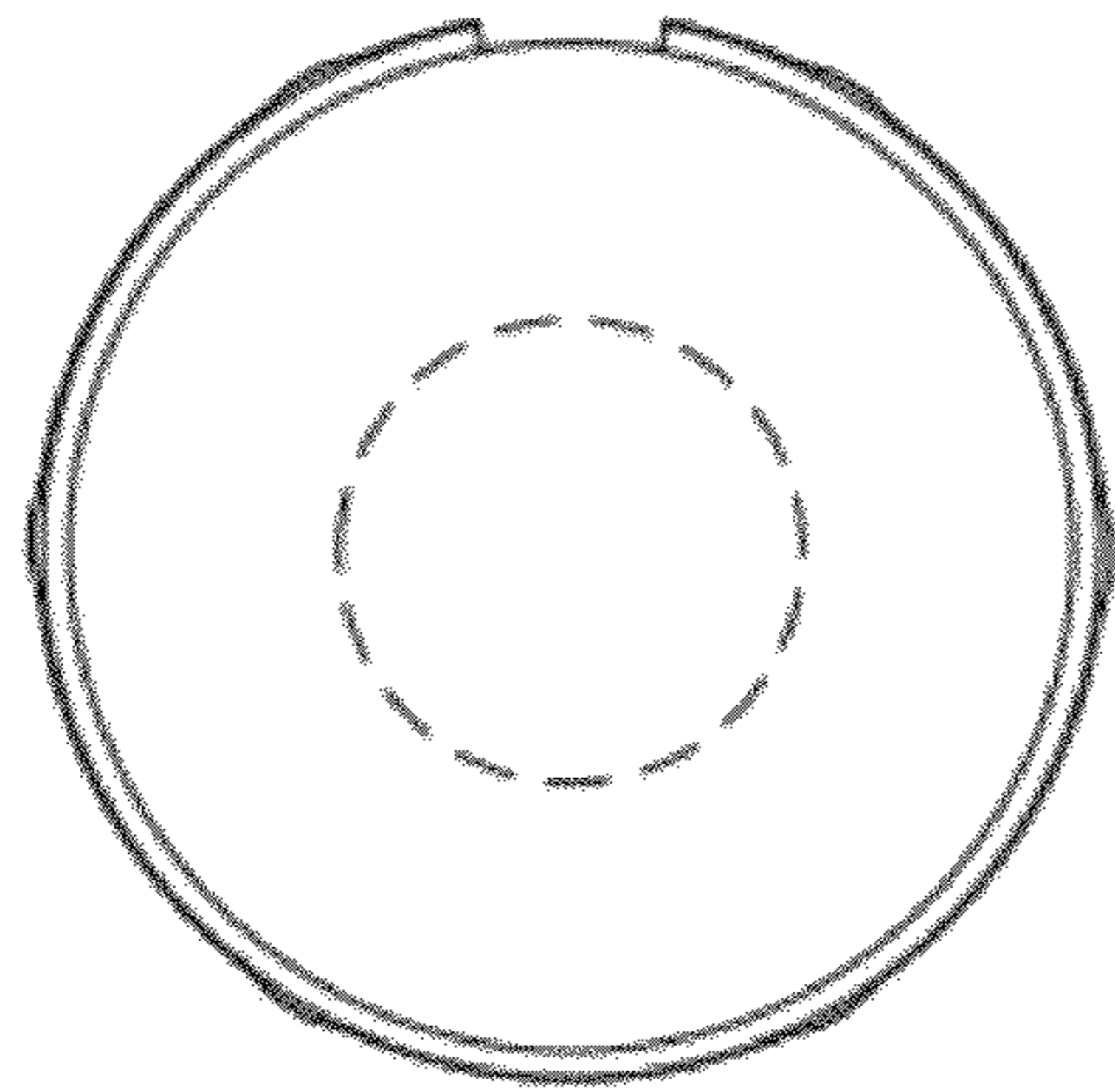


FIG. 7