



US00D660108S

(12) **United States Design Patent**  
**Harris et al.**

(10) **Patent No.:** **US D660,108 S**

(45) **Date of Patent:** **\*\* May 22, 2012**

(54) **LIFETIME GOLF SHOE SPIKE WRENCH**

(76) Inventors: **John M. Harris**, Phelan, CA (US);  
**Ruth Harris**, Phelan, CA (US)

(\*\*) Term: **14 Years**

(21) Appl. No.: **29/391,973**

(22) Filed: **May 16, 2011**

(51) **LOC (9) Cl.** ..... **08-05**

(52) **U.S. Cl.** ..... **D8/21; D8/26**

(58) **Field of Classification Search** ..... D8/21,  
D8/27, 70, 86; 81/3.48, 120, 176.1, 176.15,  
81/119, 176.2, 461, 177.2, 186, 437-439,  
81/489, 490, 177.4; D21/793

See application file for complete search history.

(56) **References Cited**

**U.S. PATENT DOCUMENTS**

2,881,648	A	4/1959	Hottle	
3,140,625	A	7/1964	Pannozzo	
3,412,635	A	11/1968	Chimiekewski	
4,262,562	A	4/1981	MacNeill	
D342,004	S	12/1993	Wettstein	
5,272,943	A *	12/1993	Edwards	81/461
D343,558	S *	1/1994	Latraverse et al.	D8/21
5,400,680	A	3/1995	Spangler	
D359,895	S	7/1995	Snow	
5,887,496	A	3/1999	Pollard	
D409,463	S *	5/1999	McMullin	D8/25
D412,547	S *	8/1999	Fong	D21/793
D432,290	S *	10/2000	McComb	D2/639
D434,290	S *	11/2000	McMullin	D8/21
6,170,364	B1	1/2001	Johnson	
D470,733	S *	2/2003	Schmitt, Jr.	D8/21
D545,933	S *	7/2007	Dow	D21/789

7,255,022	B1 *	8/2007	Rivera	81/3.2
7,963,861	B2 *	6/2011	Beach et al.	473/335
2004/0255727	A1 *	12/2004	Kovach	81/176.15

\* cited by examiner

*Primary Examiner* — Raphael Barkai

*Assistant Examiner* — Randall Gholson

(74) *Attorney, Agent, or Firm* — Kirk A. Buhler; Buhler & Associates

(57) **CLAIM**

The ornamental design for a lifetime golf shoe spike wrench, as shown and described.

**DESCRIPTION**

FIG. 1 is a perspective view for a lifetime golf shoe spike wrench with the end installed in the main body showing my new design;

FIG. 2 is a perspective view with the end wrench removed from the main body thereof;

FIG. 3 is a right side view thereof, the left side view being a mirror image thereof;

FIG. 4 is a front view thereof;

FIG. 5 is a sectional view taken along lines 5-5 from FIG. 4 thereof;

FIG. 6 is a back view thereof;

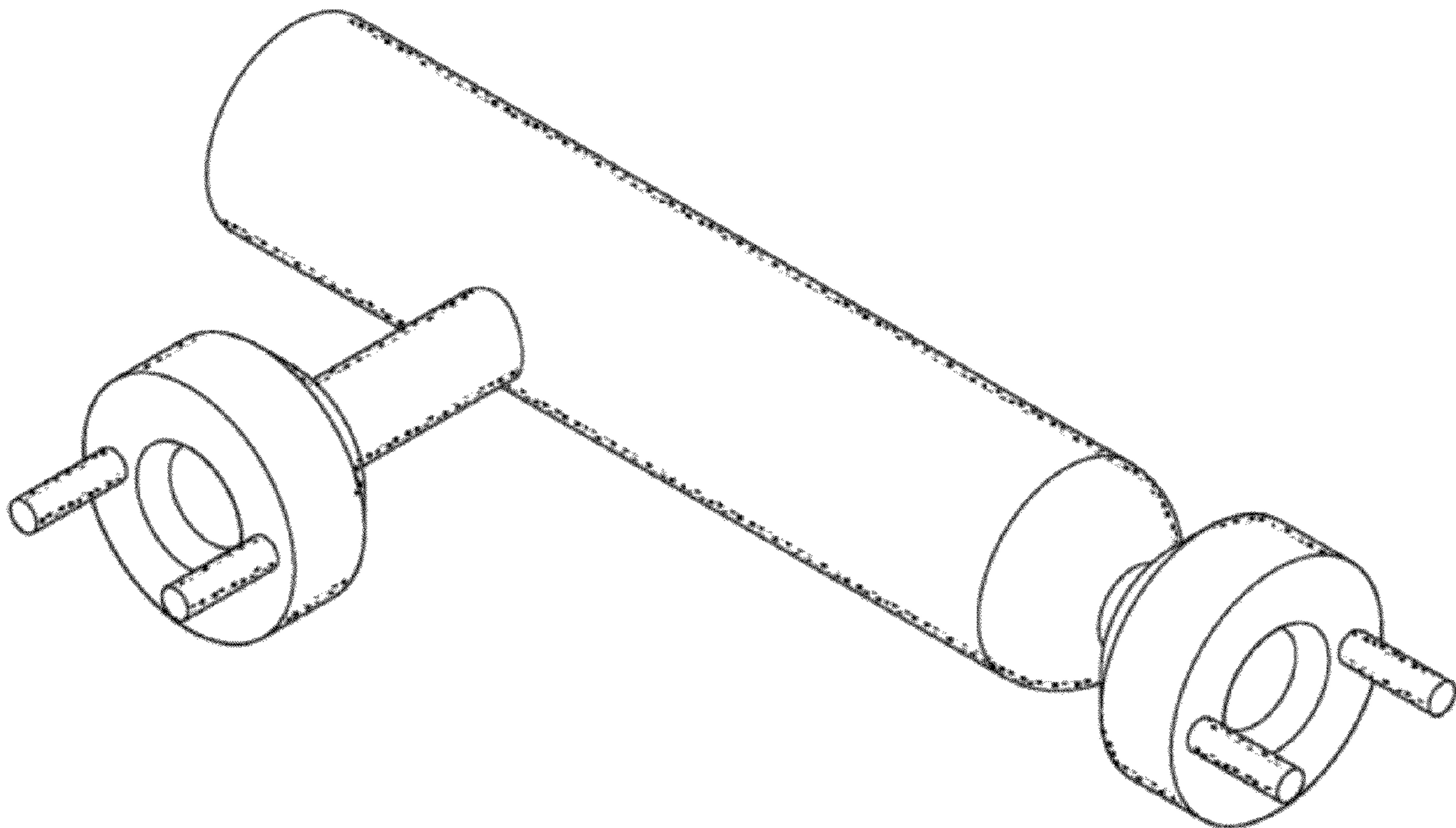
FIG. 7 is a top view thereof;

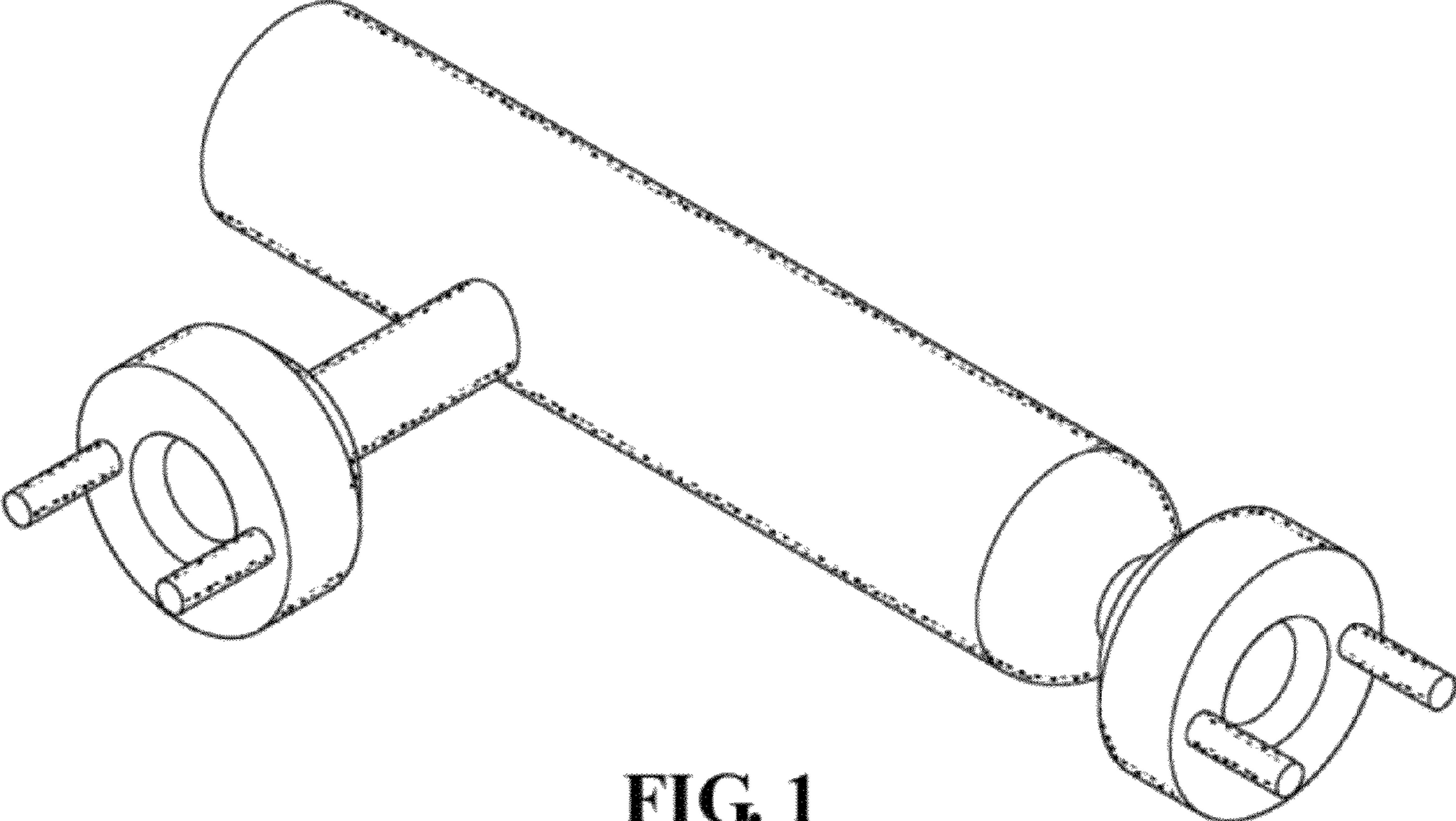
FIG. 8 is a bottom view thereof; and,

FIG. 9 is a perspective view thereof shown in an environment of use.

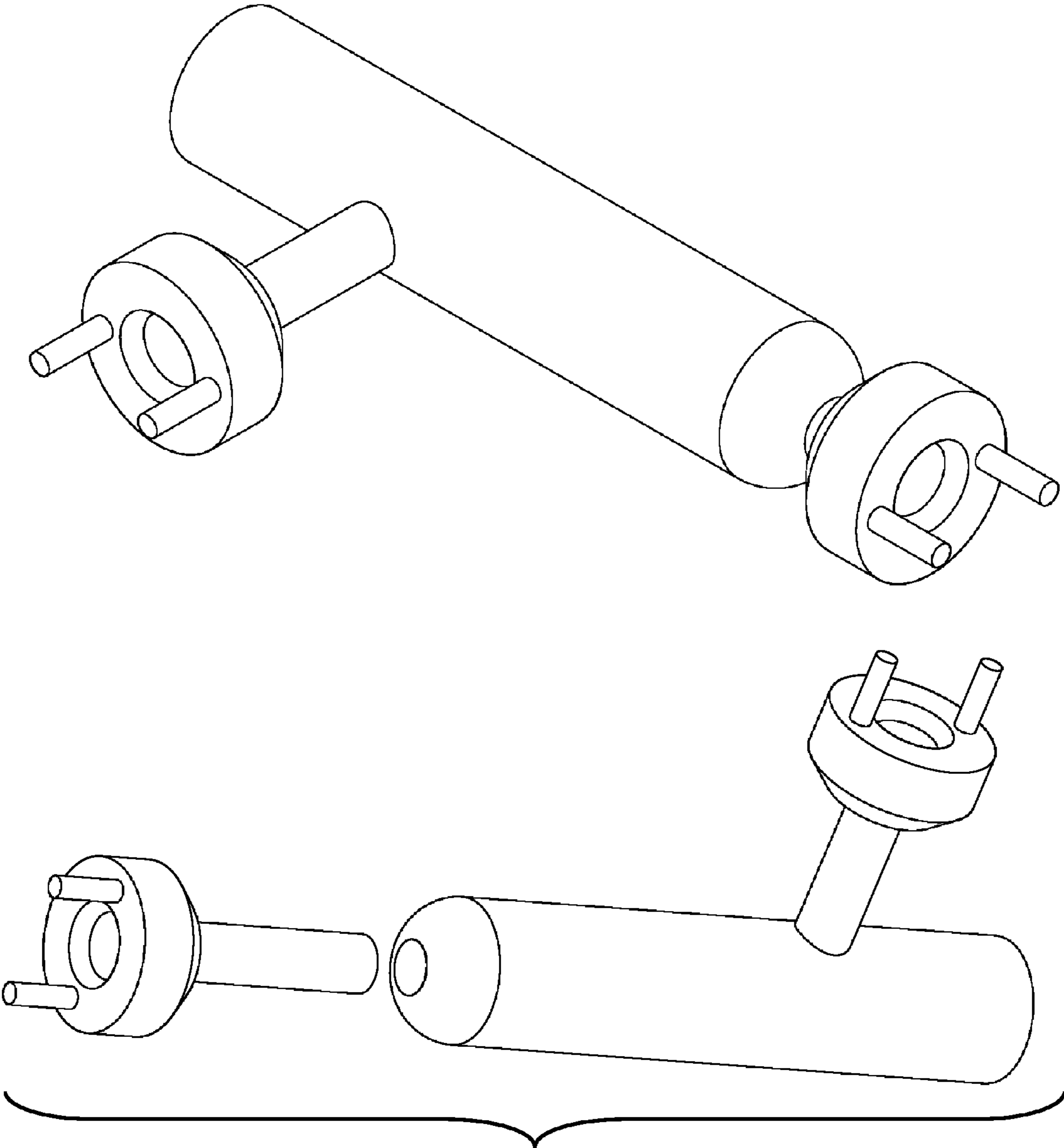
The broken lines in FIG. 9 depict environmental subject matter of a golf shoe and form no part of the claimed design.

**1 Claim, 5 Drawing Sheets**





**FIG. 1**



**FIG 2**

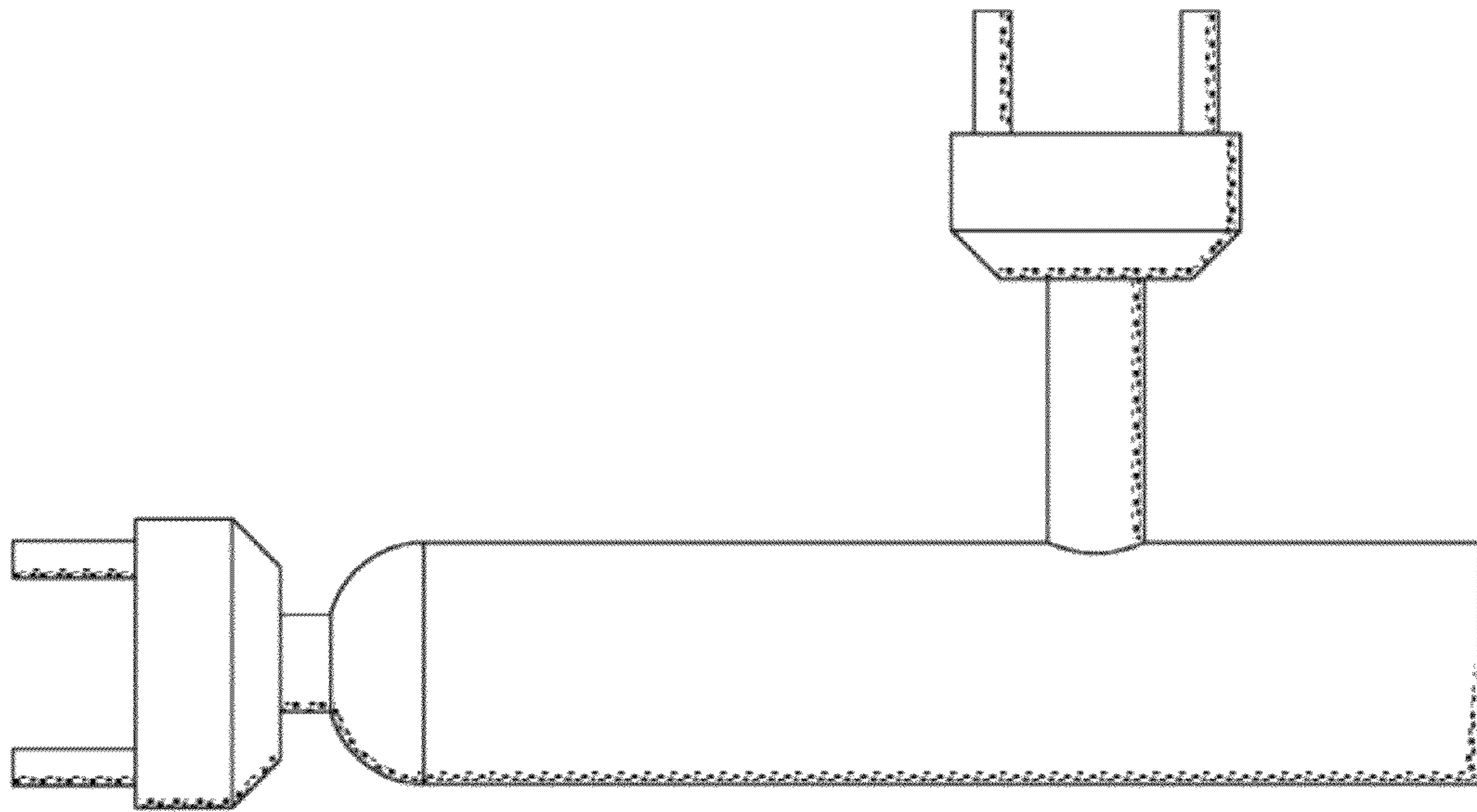
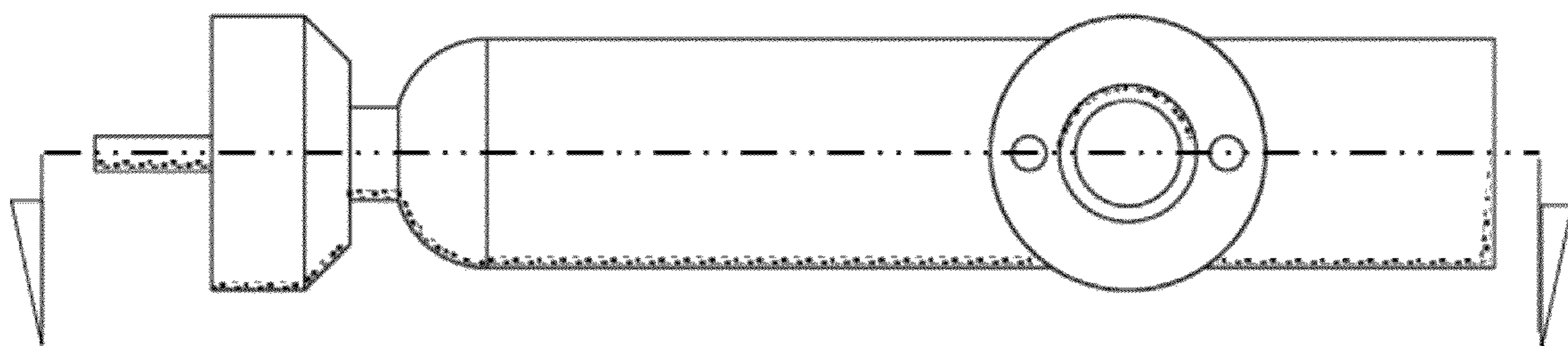


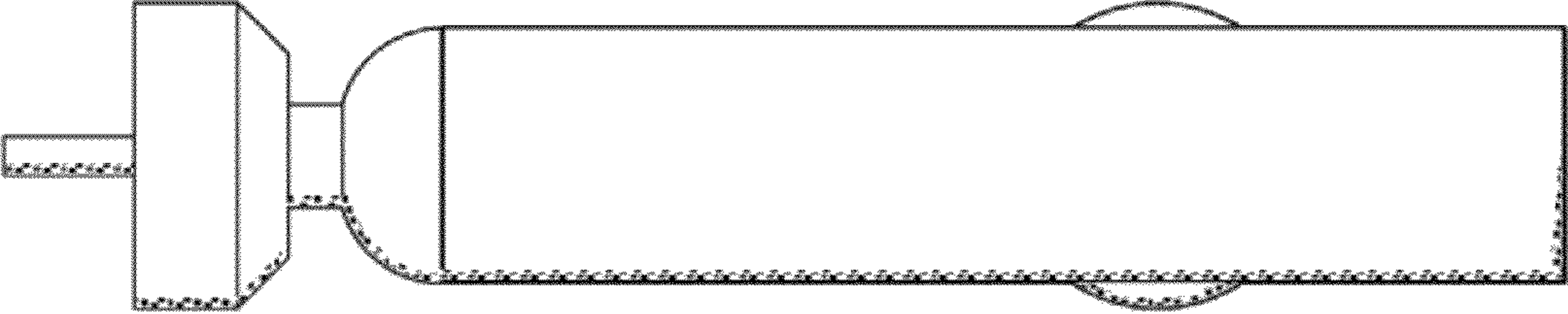
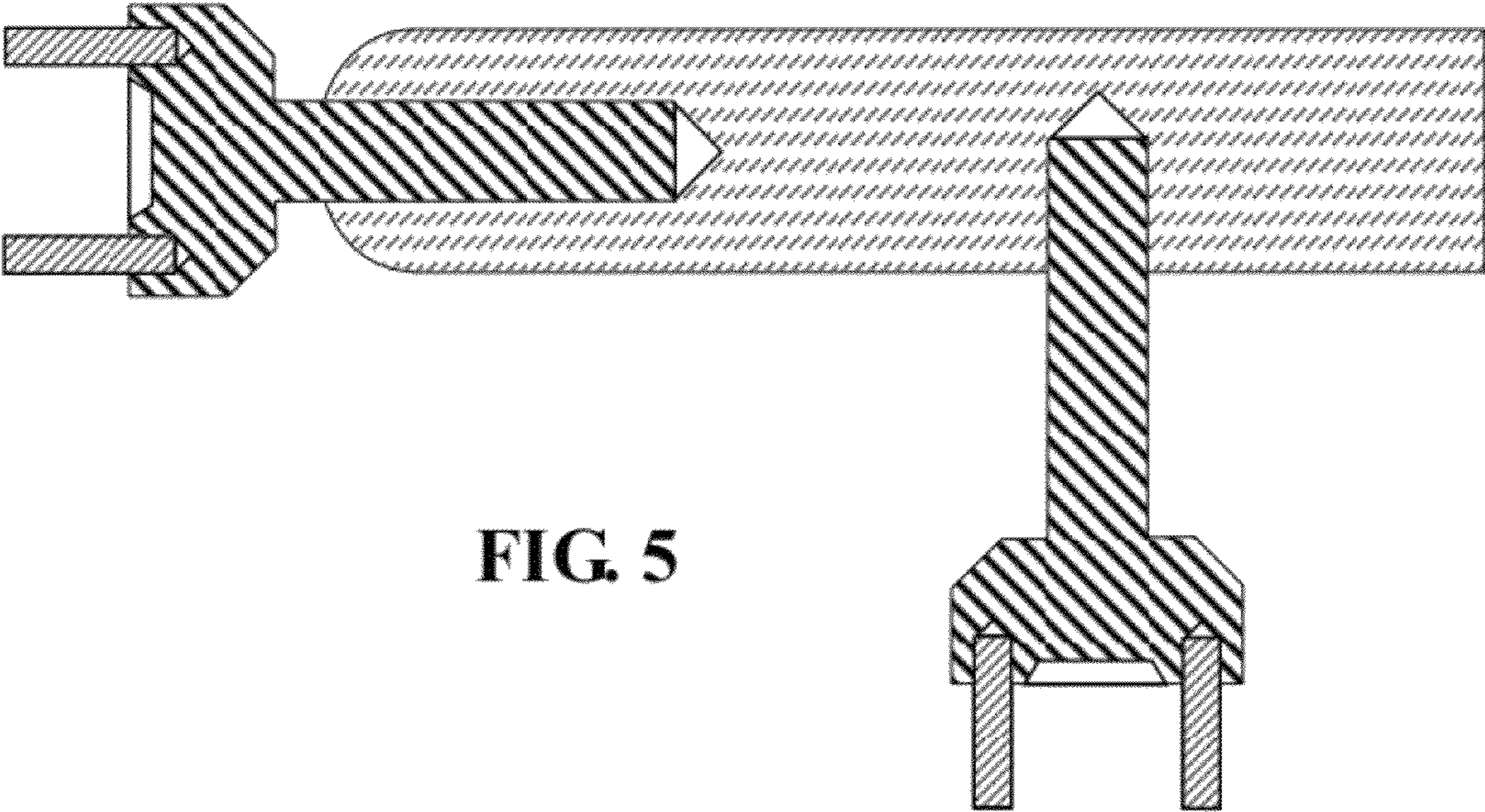
FIG. 3

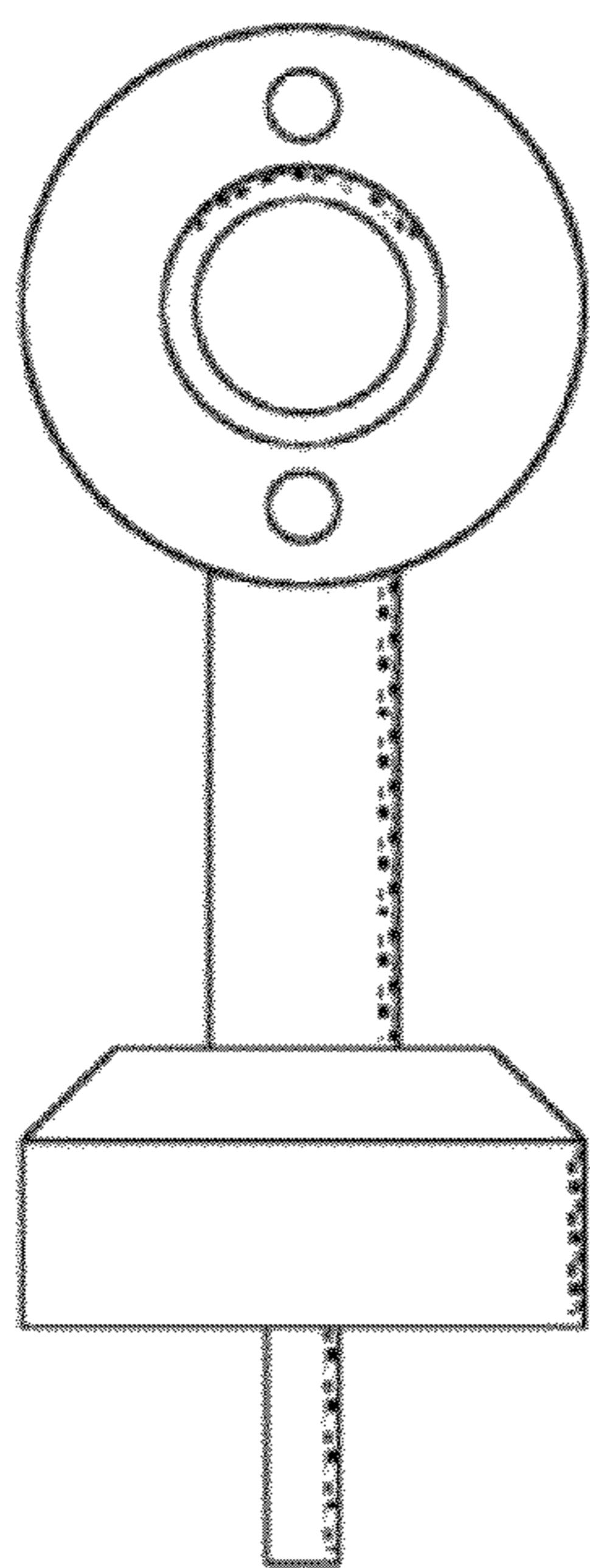


5

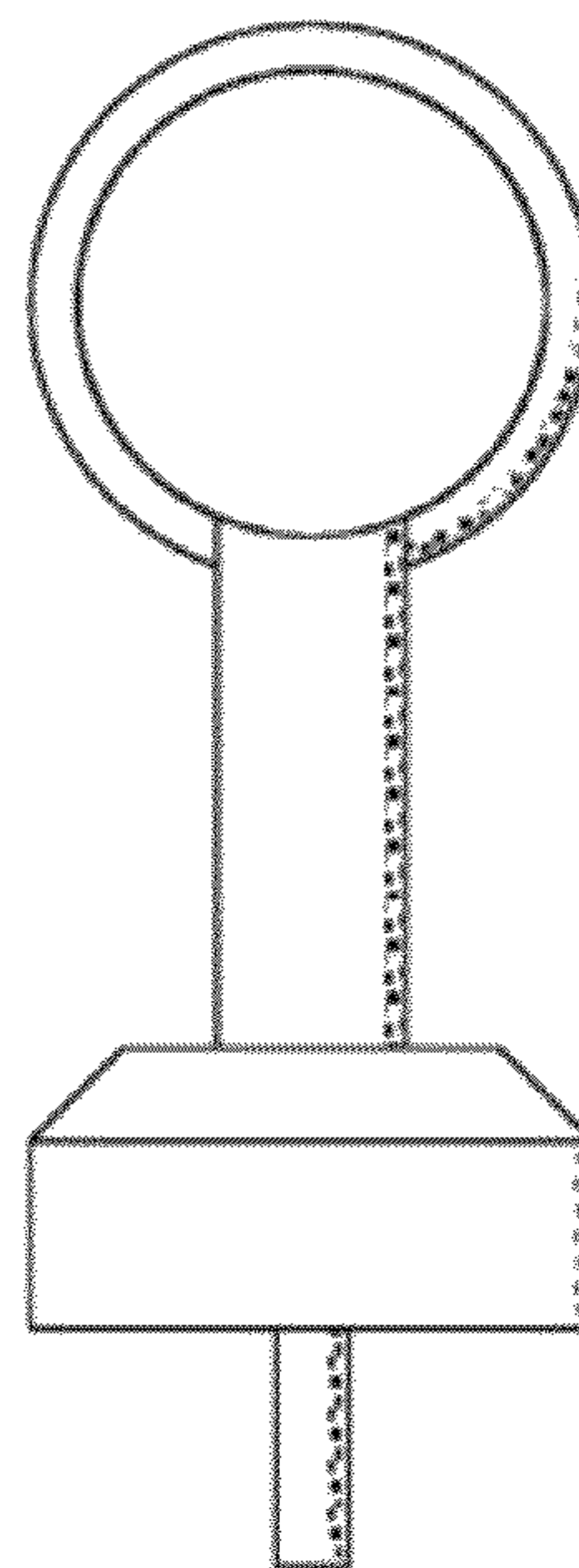
FIG. 4

5

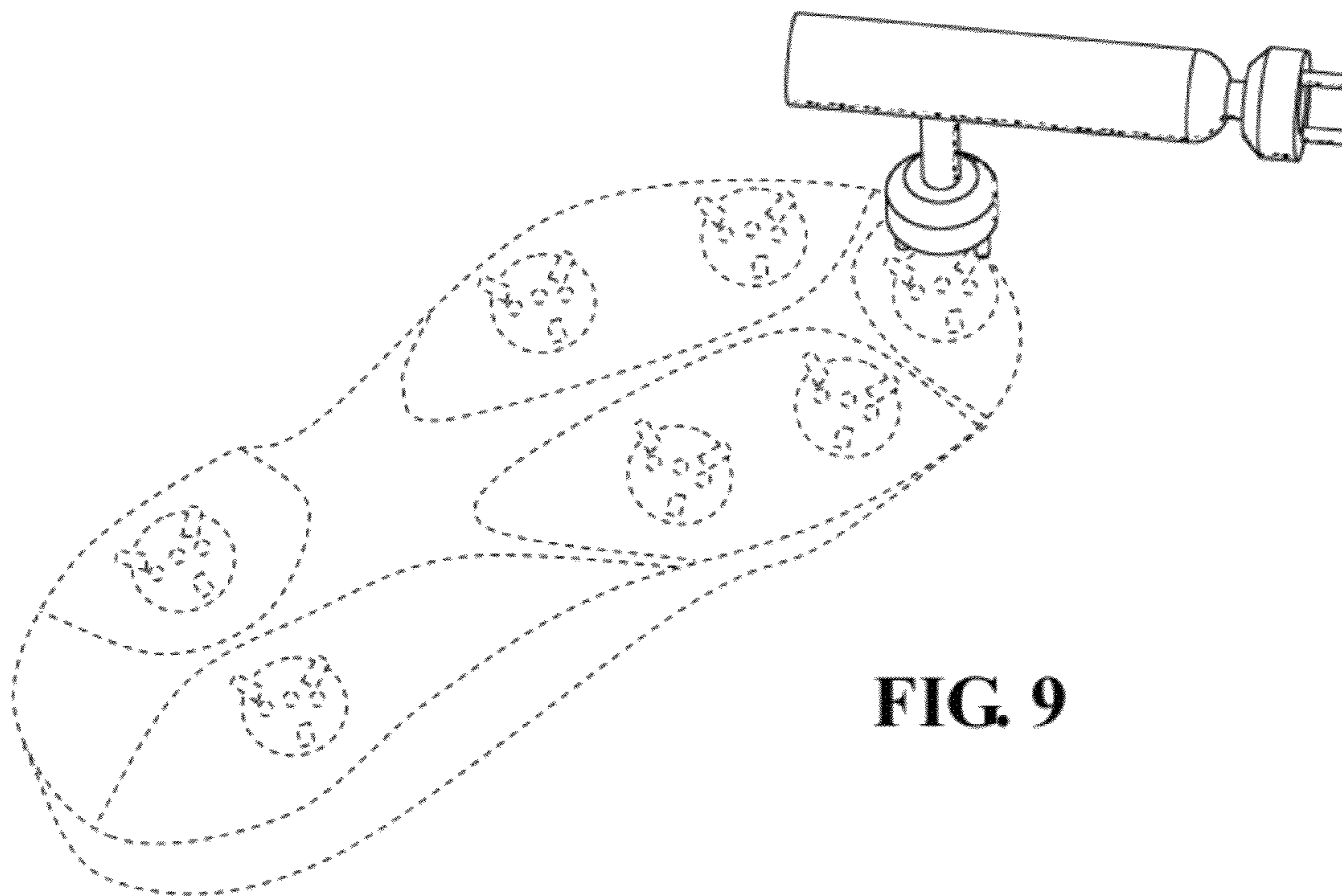




**FIG. 7**



**FIG. 8**



**FIG. 9**