



US00D660106S

(12) **United States Design Patent**
Cross

(10) **Patent No.:** **US D660,106 S**

(45) **Date of Patent:** **** May 22, 2012**

(54) **CAULKING TIP**

(76) **Inventor:** **Christopher Cross**, Littleton, CO (US)

(**) **Term:** **14 Years**

(21) **Appl. No.:** **29/402,798**

(22) **Filed:** **Sep. 27, 2011**

(51) **LOC (9) Cl.** **08-05**

(52) **U.S. Cl.** **D8/14.1**

(58) **Field of Classification Search** D8/14.1;
222/92, 105, 145.1, 160, 324-327, 386, 391,
222/525, 566-569, 572, 575; 74/141.5

See application file for complete search history.

(56) **References Cited**

U.S. PATENT DOCUMENTS

4,768,954 A	9/1988	Dragan	
D377,891 S	2/1997	Bencich	
D468,601 S *	1/2003	Horst	D8/14.1
D476,538 S *	7/2003	Dorff et al.	D8/14.1
7,014,079 B2	3/2006	Swann	
D598,722 S	8/2009	Coll	
7,631,790 B2	12/2009	Braams	

* cited by examiner

Primary Examiner — Antoine D Davis

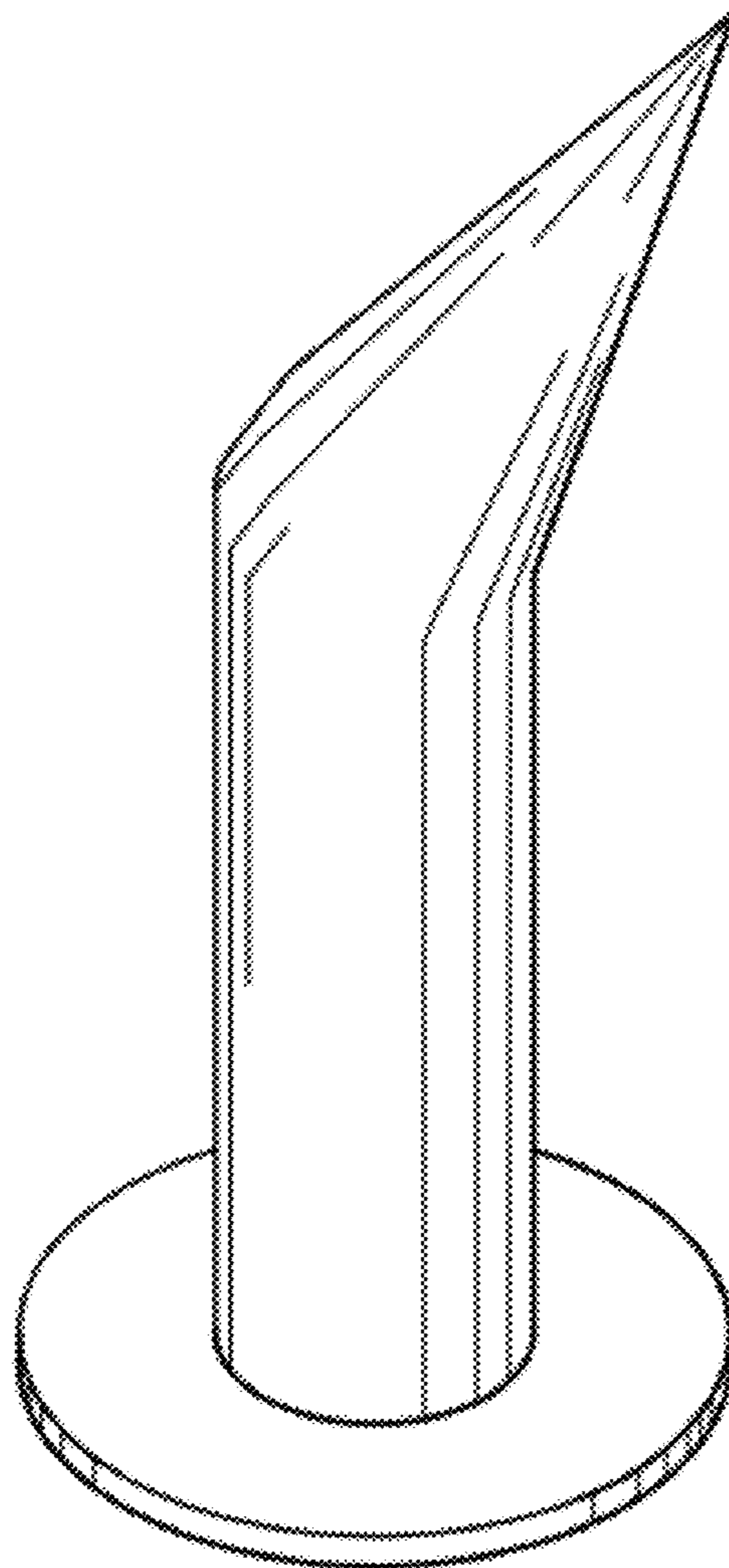
(57) **CLAIM**

I claim the ornamental design for a caulking tip, as shown and described.

DESCRIPTION

FIG. 1 is a side view thereof; and,
FIG. 2 is a perspective view thereof.

1 Claim, 2 Drawing Sheets



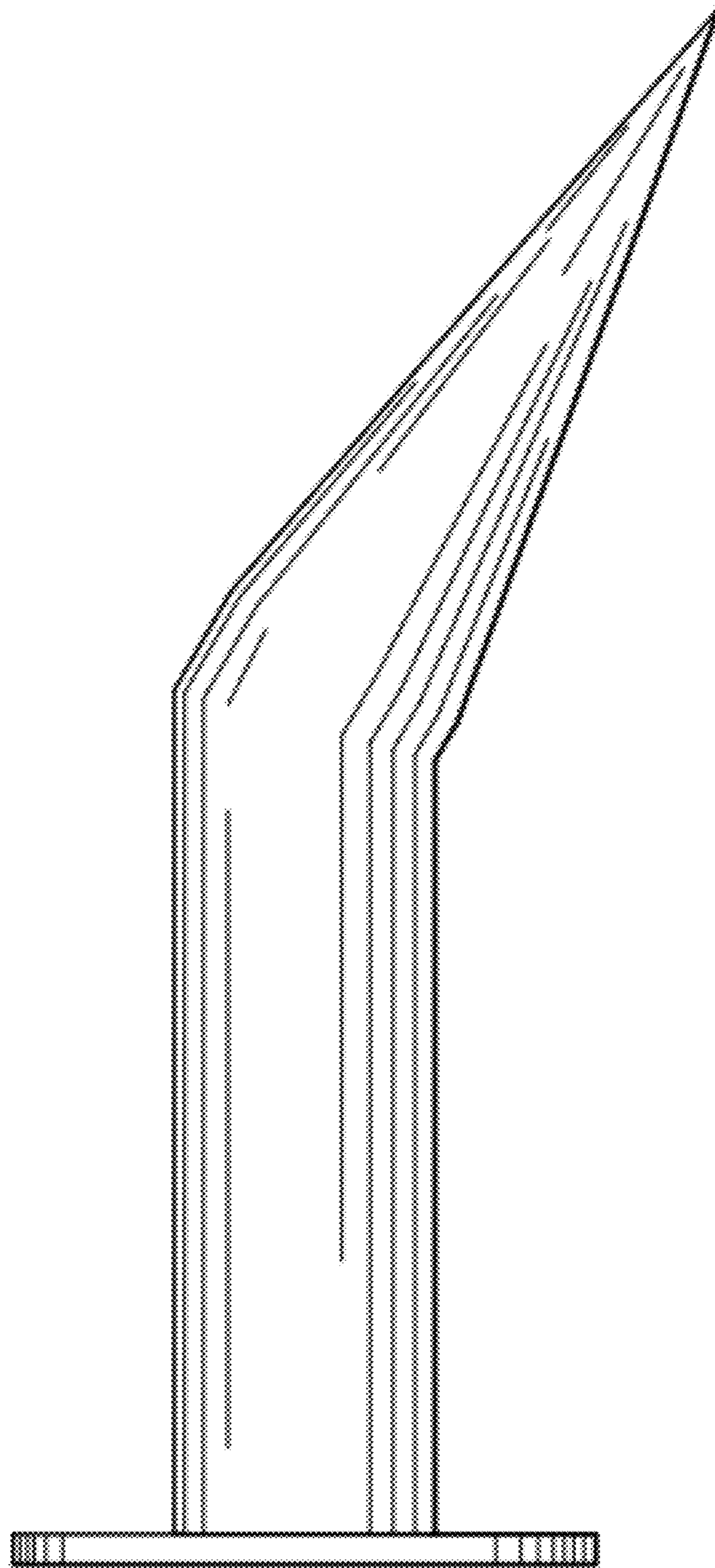


FIG. 1

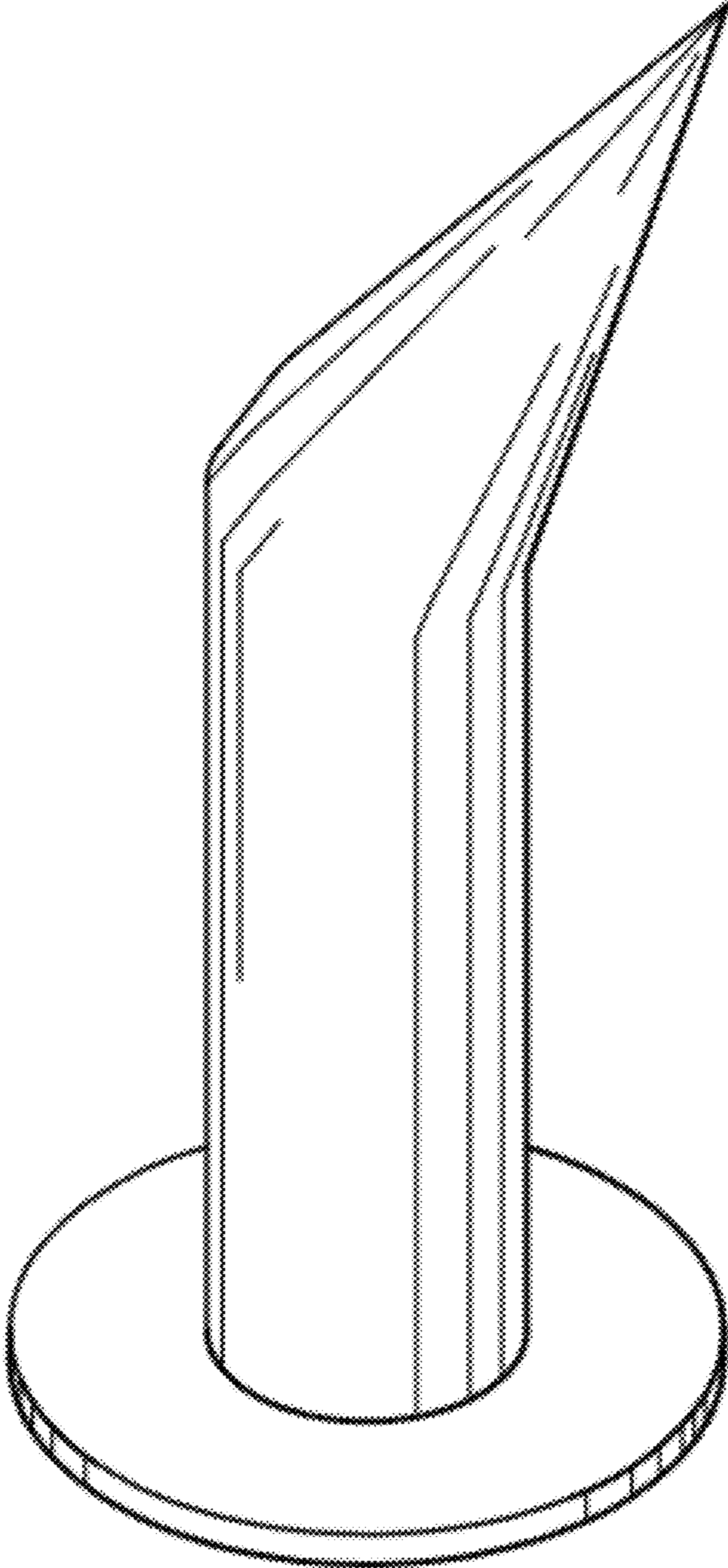


FIG.2