

US00D660103S

(12) **United States Design Patent**  
**Bryanton**

(10) **Patent No.:** **US D660,103 S**

(45) **Date of Patent:** **\*\* May 22, 2012**

(54) **PLANT SUPPORT**

(76) Inventor: **Eunice W. Bryanton**, Longmont, CO  
(US)

(\*\*) Term: **14 Years**

(21) Appl. No.: **29/405,740**

(22) Filed: **Nov. 4, 2011**

(51) **LOC (9) Cl.** ..... **08-01**

(52) **U.S. Cl.** ..... **D8/1**

(58) **Field of Classification Search** .... D8/1; 47/44-47,  
47/48.5, 53

See application file for complete search history.

(56) **References Cited**

**U.S. PATENT DOCUMENTS**

5,711,107	A *	1/1998	Louisiana	47/45
D399,712	S *	10/1998	Villella	D8/1
D428,781	S *	8/2000	Tanner	D8/1
6,408,569	B1 *	6/2002	Obregon	47/47
D466,765	S *	12/2002	Barbi et al.	D8/1
D495,932	S *	9/2004	Kopka	D8/1
D509,713	S *	9/2005	Gall	D8/1
D555,440	S *	11/2007	Murray	D8/1
7,478,501	B2 *	1/2009	Wilbanks et al.	47/45

7,810,276	B2 *	10/2010	Rosaen	47/33
8,006,433	B1 *	8/2011	Bryanton	47/45
2011/0047871	A1 *	3/2011	Bowerman	47/44

\* cited by examiner

*Primary Examiner* — Sheryl Lane

(57) **CLAIM**

The ornamental design for a plant support, as shown and described.

**DESCRIPTION**

FIG. 1 is a top perspective view of my plant support.  
 FIG. 2 is a bottom perspective view of my plant support.  
 FIG. 3 is a top plan view of my plant support.  
 FIG. 4 is a bottom plan view of my plant support.  
 FIG. 5 is a front elevation view of my plant support.  
 FIG. 6 is a rear elevation view of my plant support.  
 FIG. 7 is a right side elevation view of my plant support; and,  
 FIG. 8 is a left side elevation view of my flower pot embodiment of my plant support.

The broken line showing of the plant and pot is included for the purpose of illustrating environment and forms no part of the claimed design.

**1 Claim, 5 Drawing Sheets**

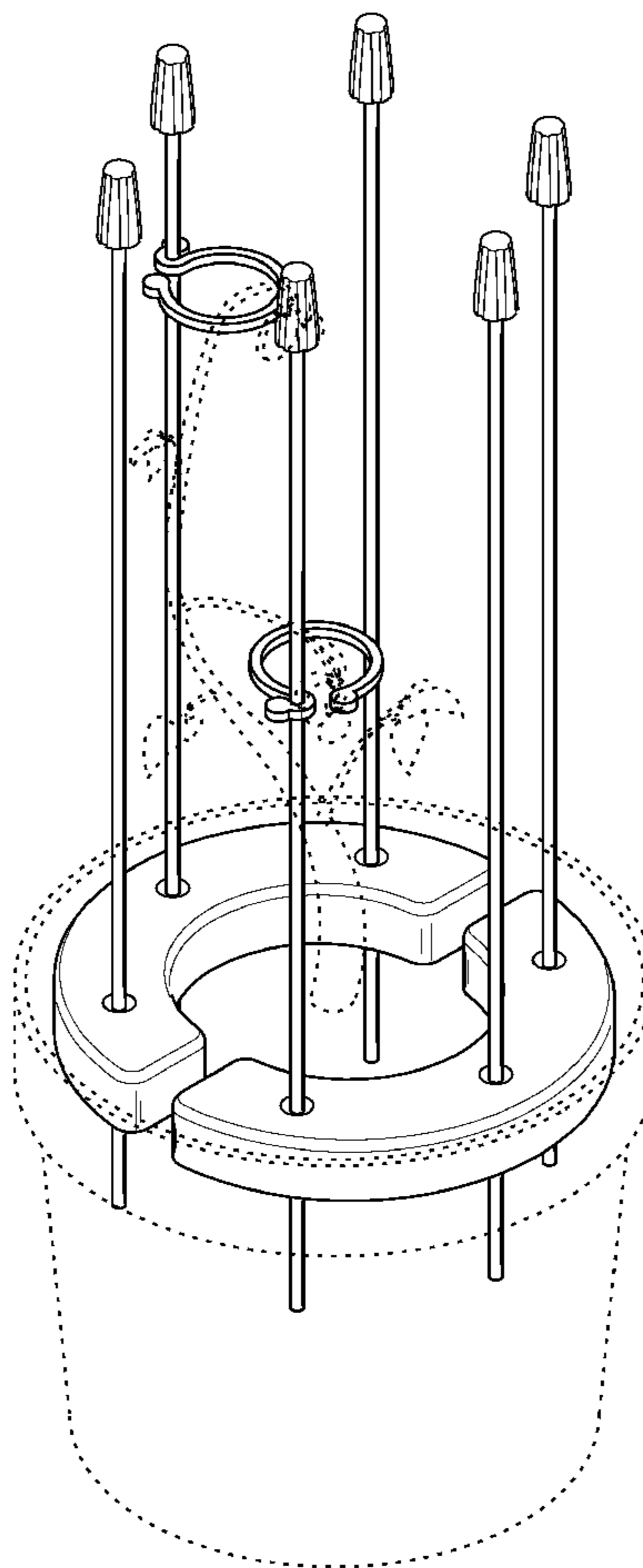


Fig 1

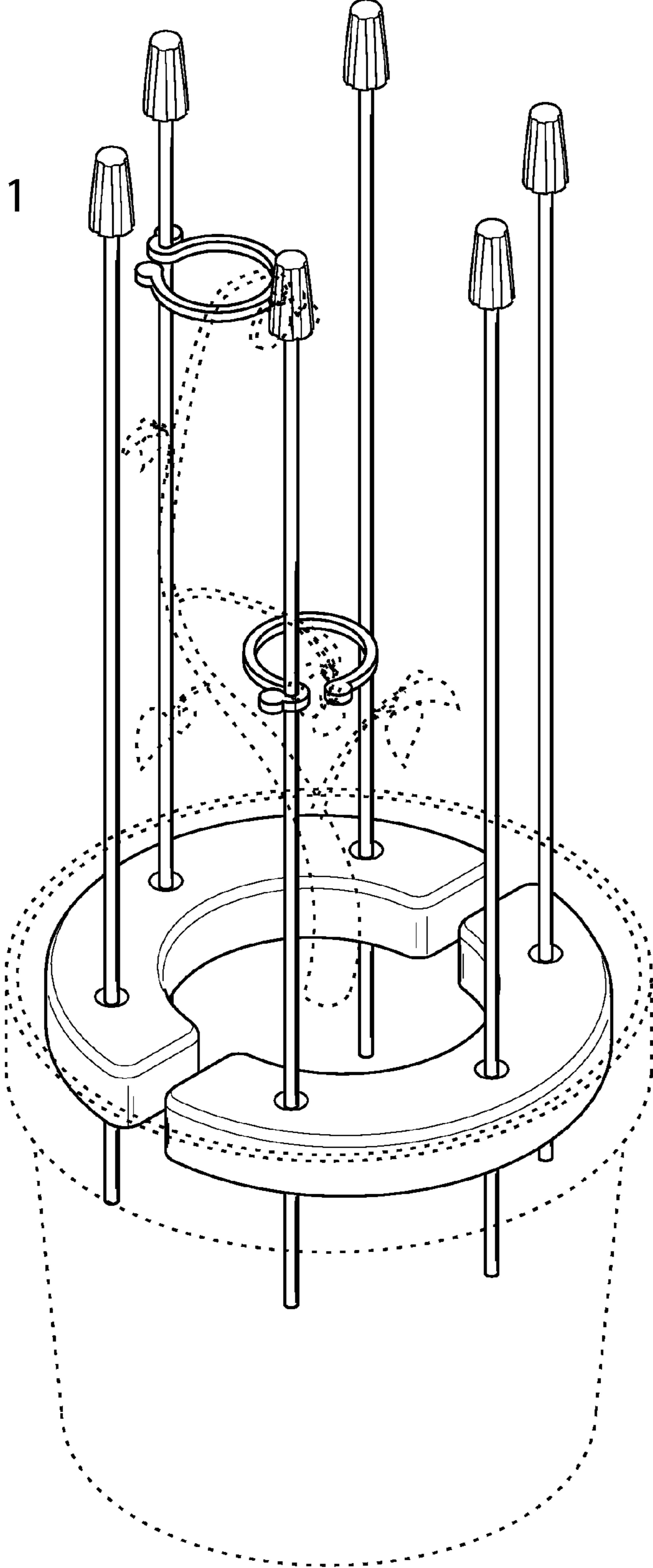


Fig 2

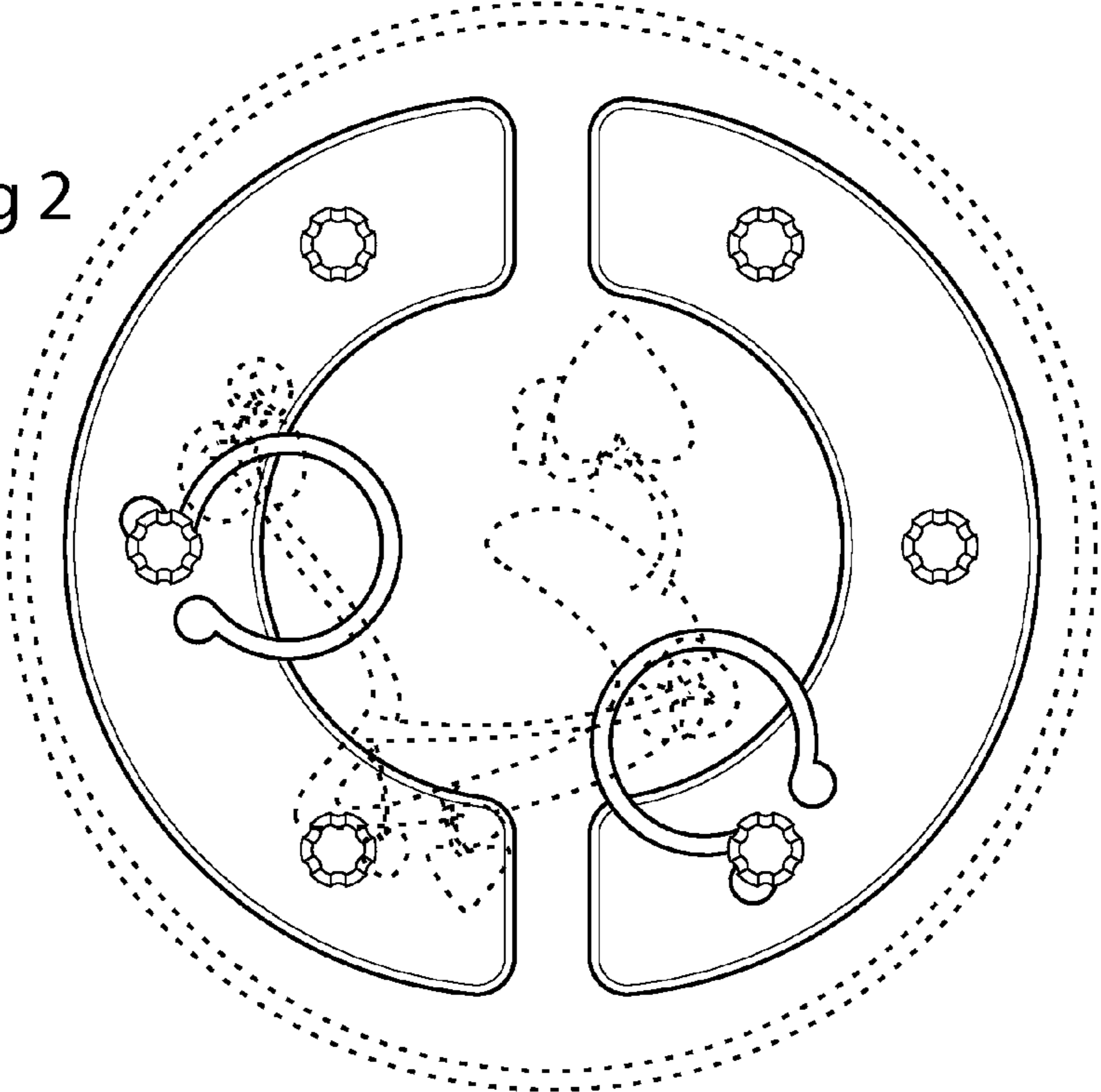


Fig 3

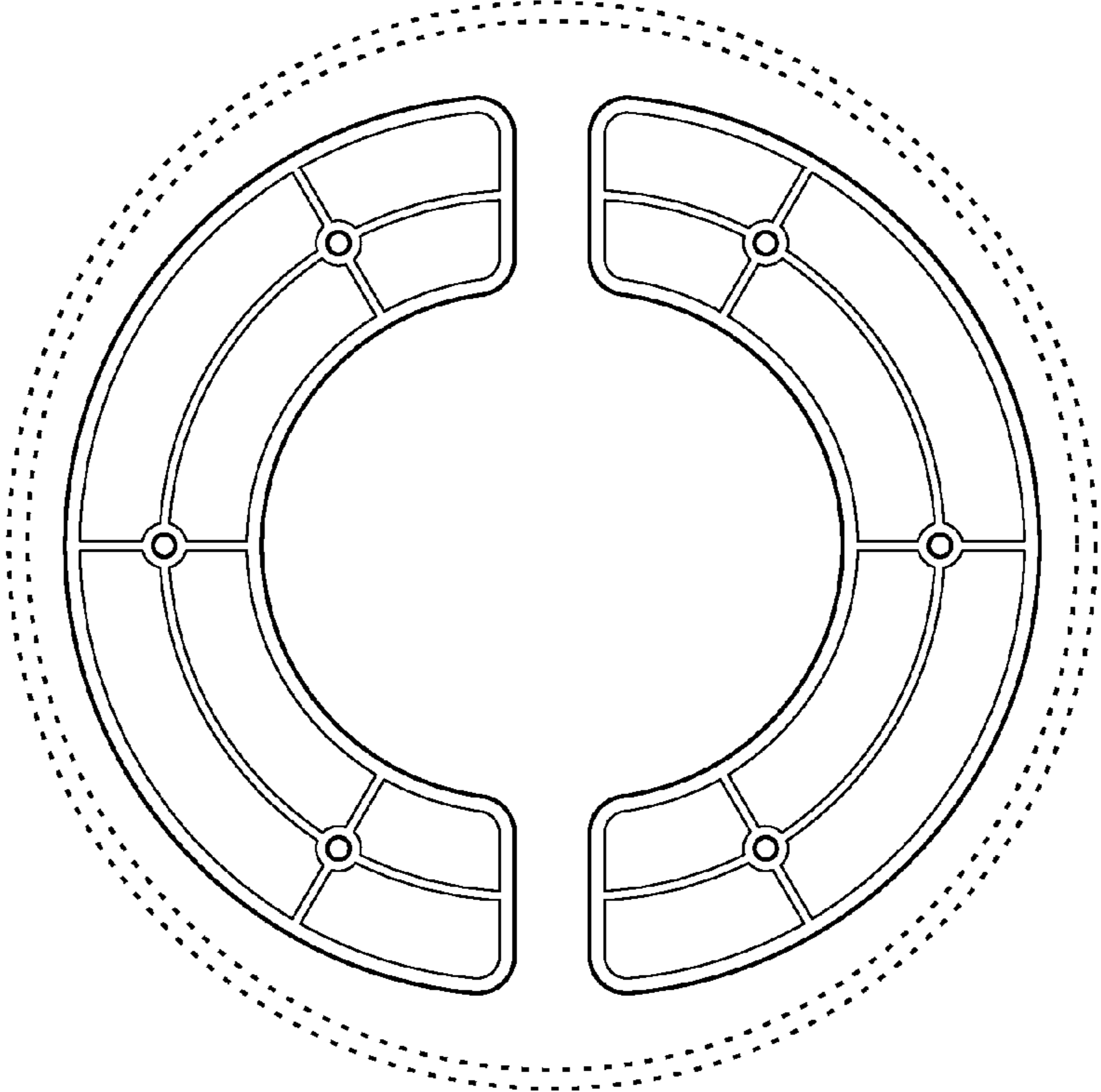


Fig 4

Fig 5

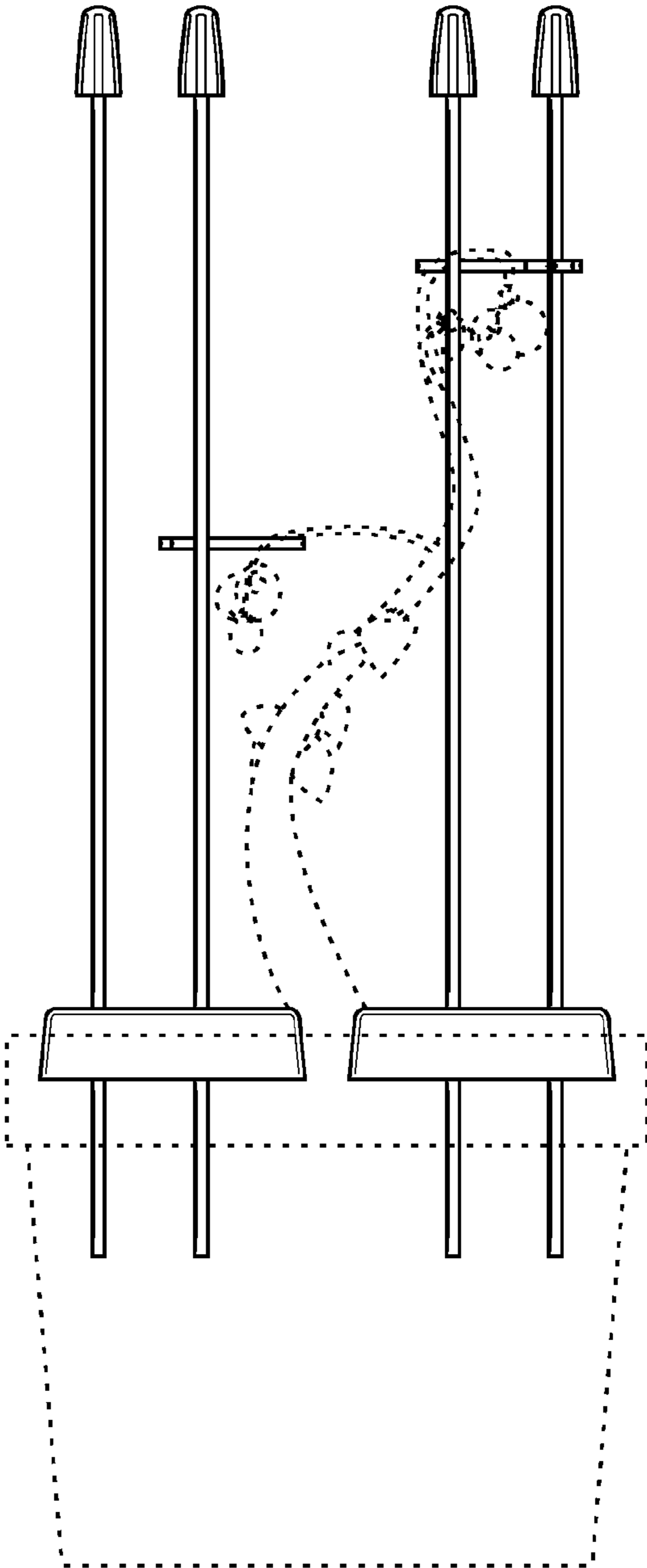
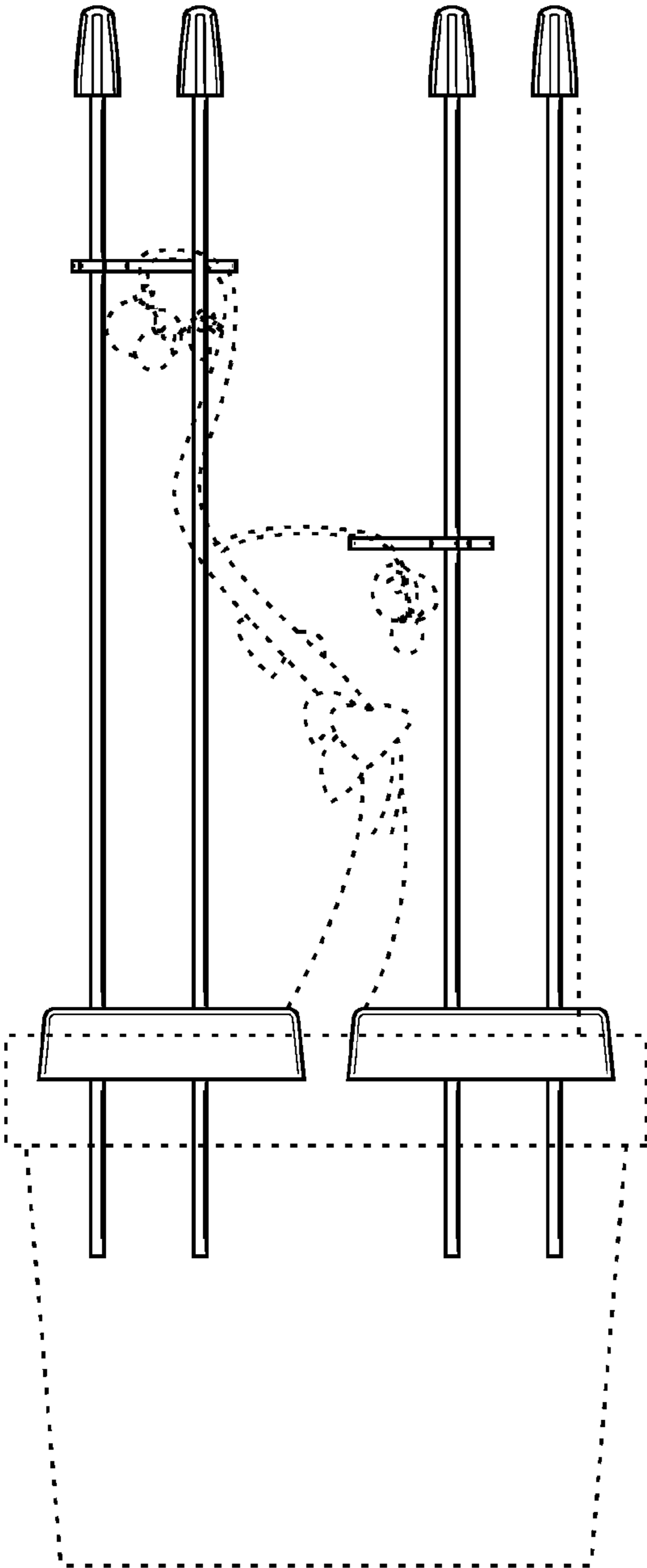


Fig 6

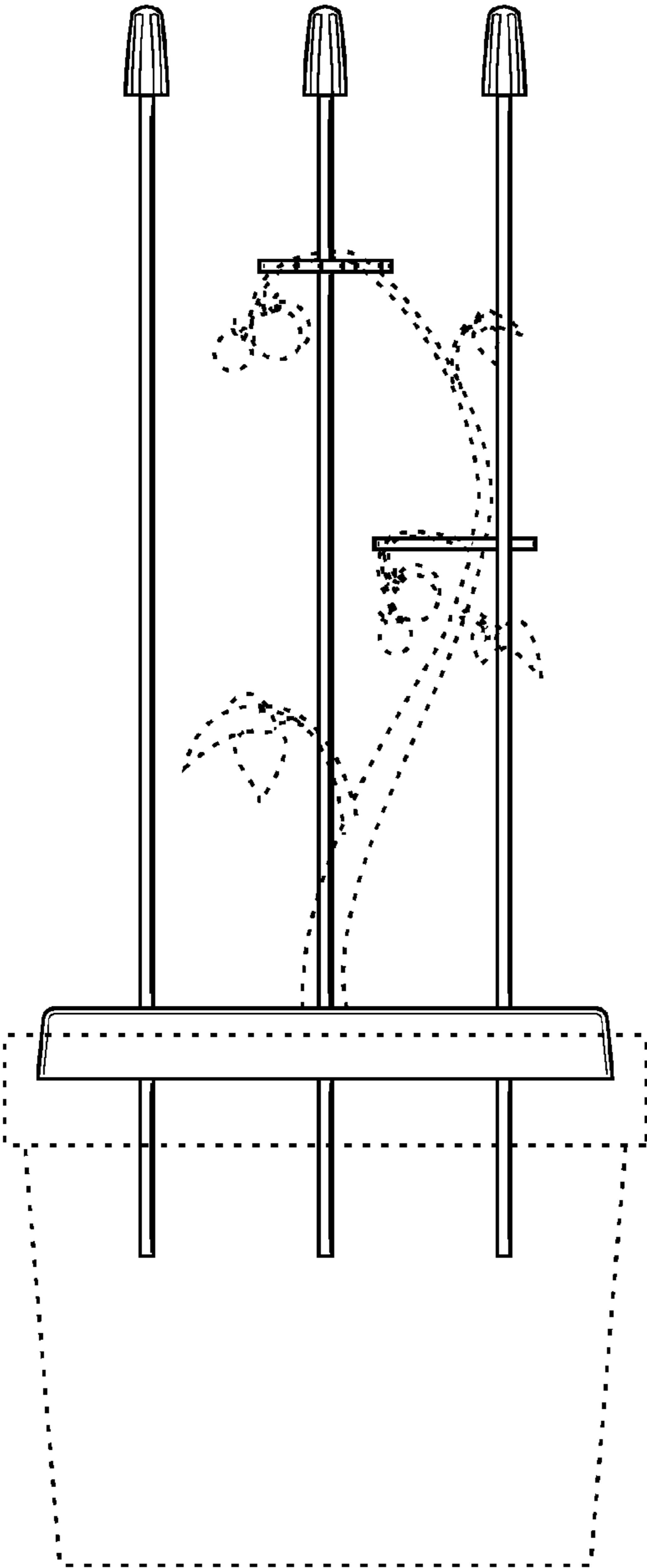


Fig 7

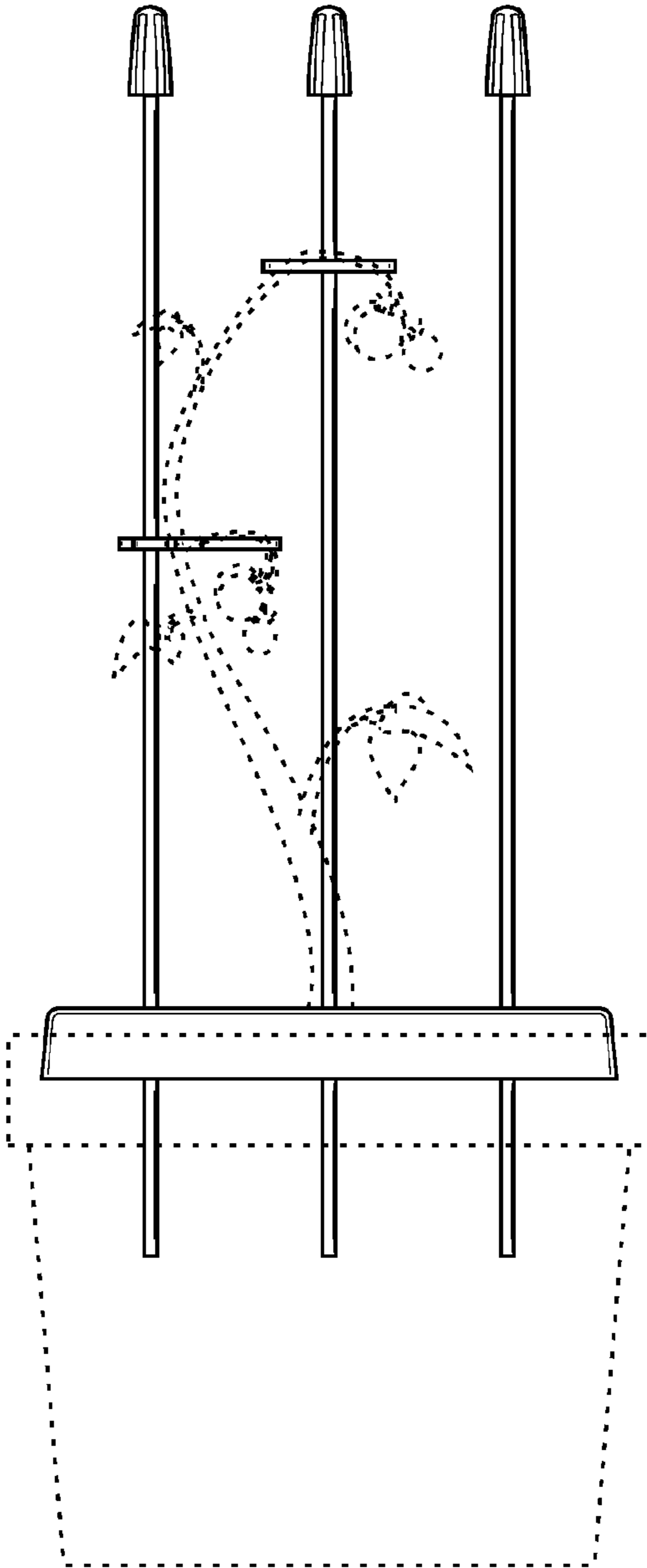


Fig 8

