



US00D660102S

(12) **United States Design Patent**
Allred

(10) **Patent No.:** **US D660,102 S**

(45) **Date of Patent:** **** May 22, 2012**

(54) **HOLDER**

(75) Inventor: **Lisa Allred**, Greensboro, NC (US)

(73) Assignee: **Tipsy Stixs, LLC**, Greensboro, NC (US)

(**) Term: **14 Years**

(21) Appl. No.: **29/386,938**

(22) Filed: **Mar. 7, 2011**

(51) **LOC (9) Cl.** **07-04**

(52) **U.S. Cl.** **D7/704; D7/620; D7/624.1**

(58) **Field of Classification Search** D7/601-602,
D7/701, 704, 619.1, 620, 624.1; D6/417,
D6/403, 556, 566; 248/153, 156; 211/71.1
See application file for complete search history.

(56) **References Cited**

U.S. PATENT DOCUMENTS

2,506,321	A *	5/1950	Vosburgh	248/153
D274,202	S *	6/1984	Karapita	D6/405
D286,591	S *	11/1986	Russell	D6/417
D298,460	S *	11/1988	Pryor	D24/128
D396,383	S	7/1998	Hanson	D7/620
D476,513	S	7/2003	Lee	D6/501
6,736,358	B2	5/2004	Johnson	248/125.3
D490,659	S	6/2004	Gies	D7/620
7,207,450	B1	4/2007	Franklin et al.	211/205
D566,480	S *	4/2008	Lawler	D7/620
D574,670	S *	8/2008	Grady	D7/620
D588,873	S *	3/2009	Schietecatte et al.	D7/620
7,559,171	B2	7/2009	Bateman	43/21.1
D605,901	S *	12/2009	Price	D7/620
7,641,156	B2	1/2010	Medders et al.	248/125.8
7,641,157	B2	1/2010	Kirkendall	248/156
D618,074	S *	6/2010	Paetsch	D7/701
D628,835	S *	12/2010	Valentine, Jr.	D6/513

D648,604	S *	11/2011	Allred	D7/704
2002/0130236	A1	9/2002	Swensen	248/315
2005/0269474	A1	12/2005	Kazyaka	248/311.2

* cited by examiner

Primary Examiner — Ian Simmons

Assistant Examiner — Dana L Sipos

(74) *Attorney, Agent, or Firm* — MacCord Mason PLLC

(57) **CLAIM**

The ornamental design for holder, as shown and described.

DESCRIPTION

FIG. 1 is a top perspective view of a holder, showing my new design;

FIG. 2 is a top perspective view thereof, shown in an alternate configuration;

FIG. 3 is a top perspective view of the holder of FIG. 1, showing an unclaimed secondary support arm;

FIG. 4 is a top perspective view of the holder of FIG. 1, showing an alternate configuration and unclaimed secondary support arm to that shown in FIG. 3;

FIG. 5 is a side elevation view of the holder of FIG. 1, showing two unclaimed support arms.

FIG. 6 is the opposing side elevation view thereof.

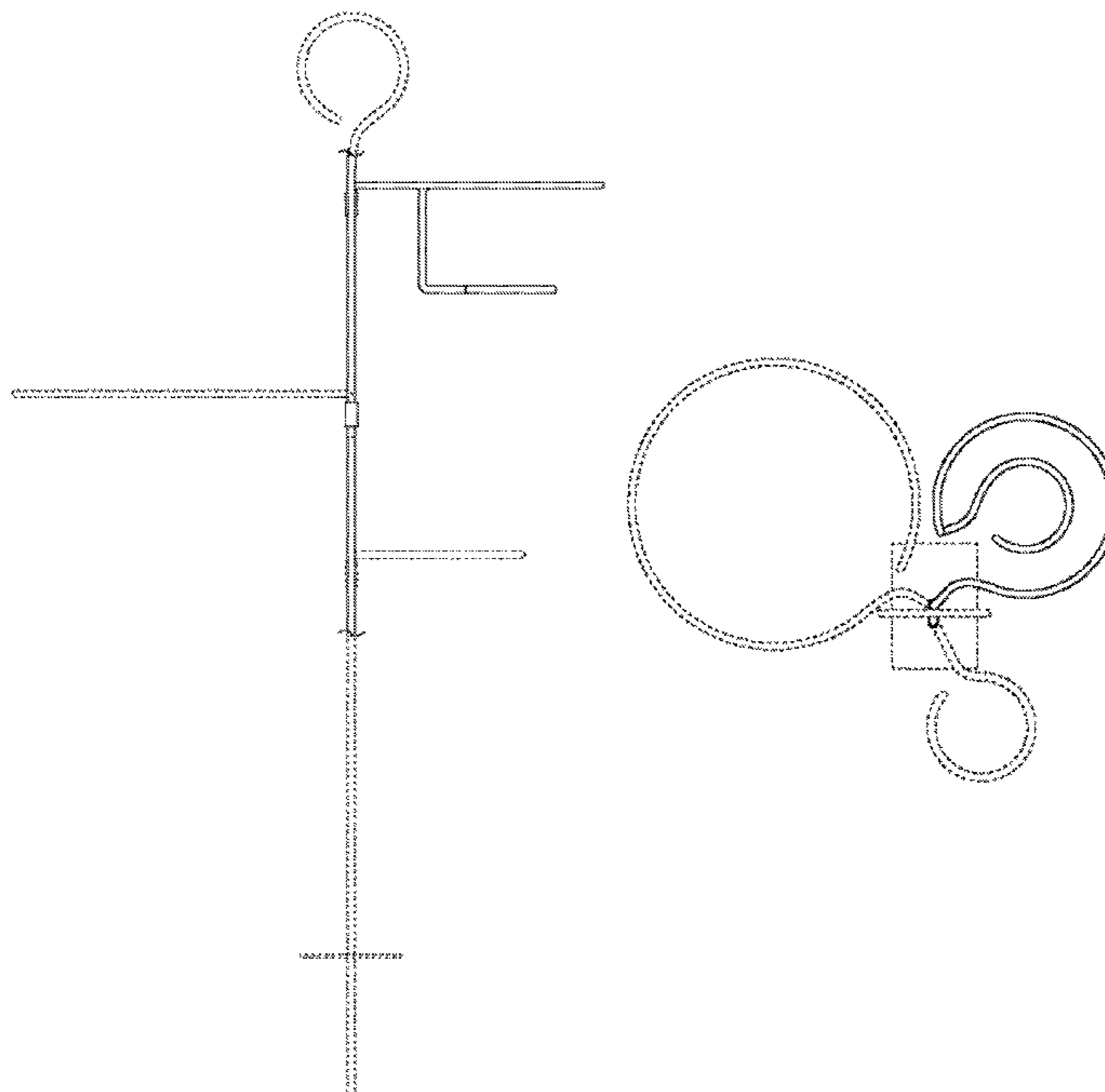
FIG. 7 is a top plan view thereof, shown at a reduced scale; and,

FIG. 8 is a top perspective view of the holder of FIG. 1, shown in use.

In FIGS. 1-8, the broken line showing of the holder mid-shaft, the relative size and shape of the detachable secondary arm, and the shape of the foot plate are for illustrating portions of the article and form no part of the claimed design.

In FIG. 8, the broken line showing of the beverage can is for the purpose of illustrating environmental structure and forms no part of the claimed design.

1 Claim, 8 Drawing Sheets



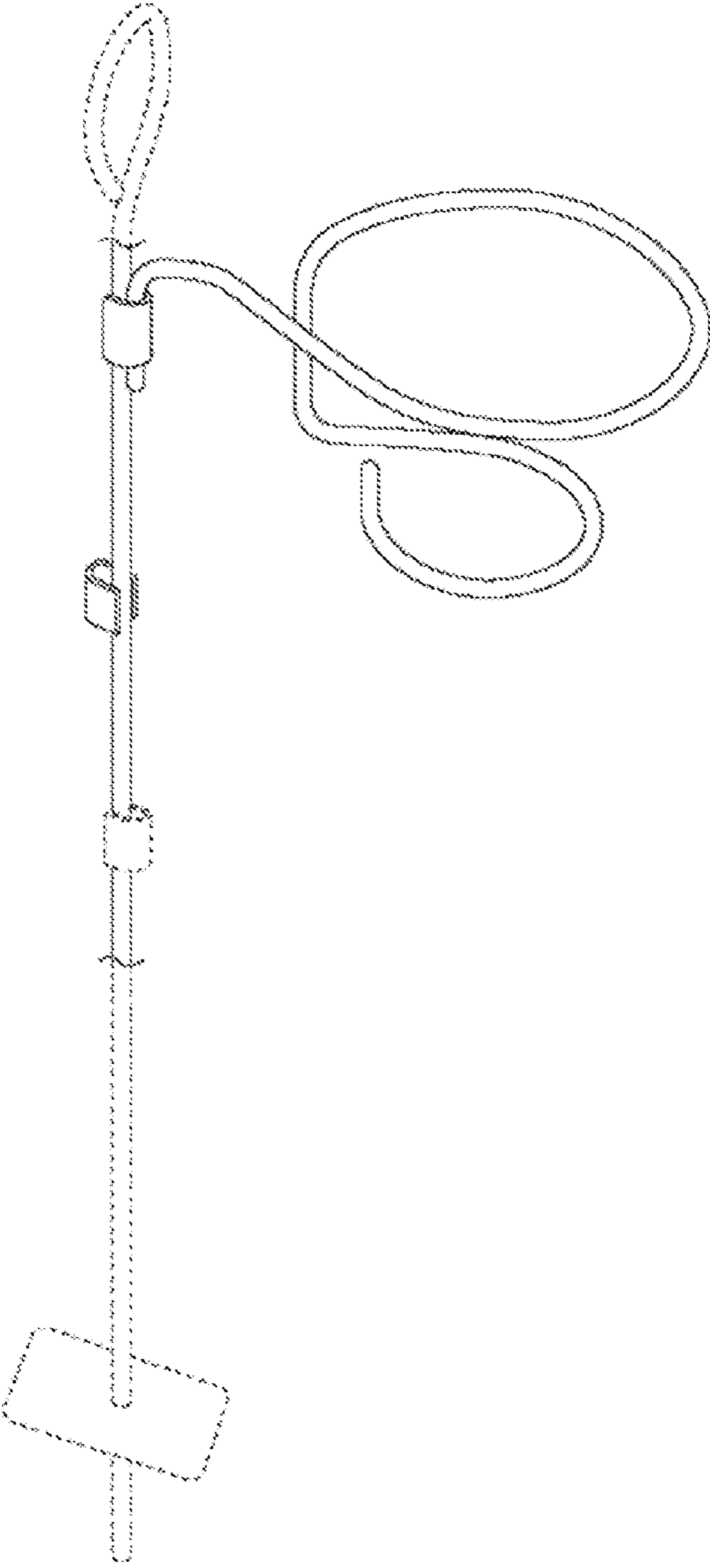


FIG. 1

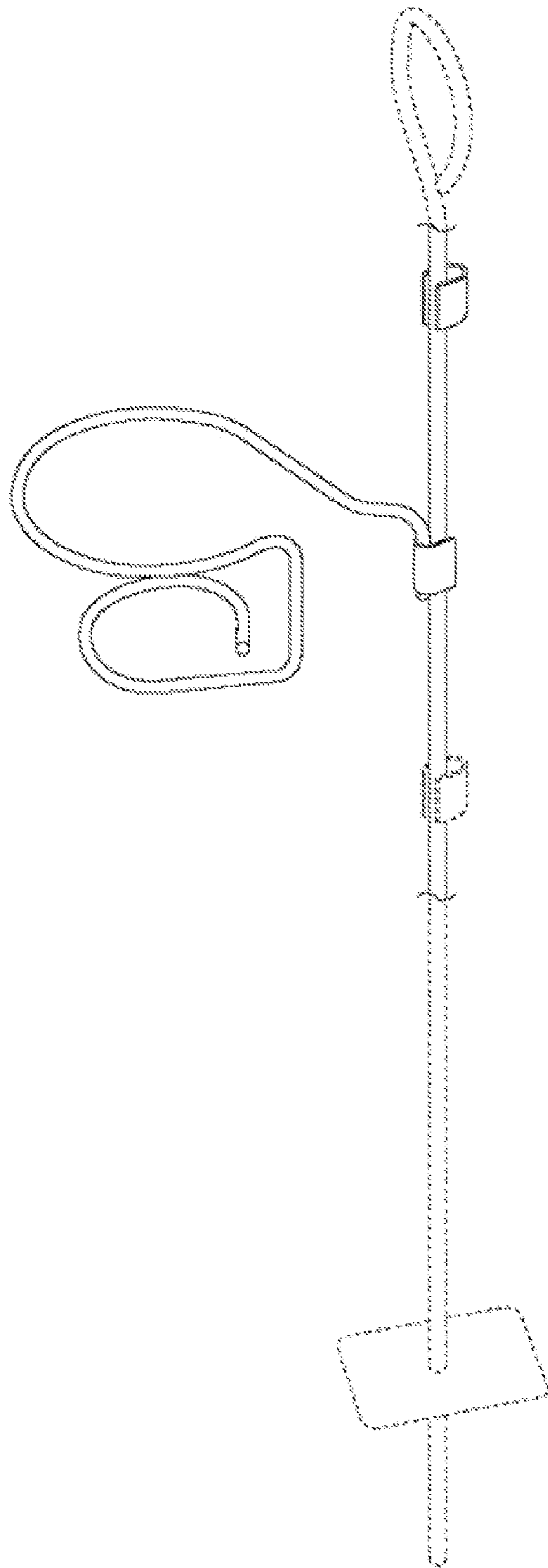


FIG. 2

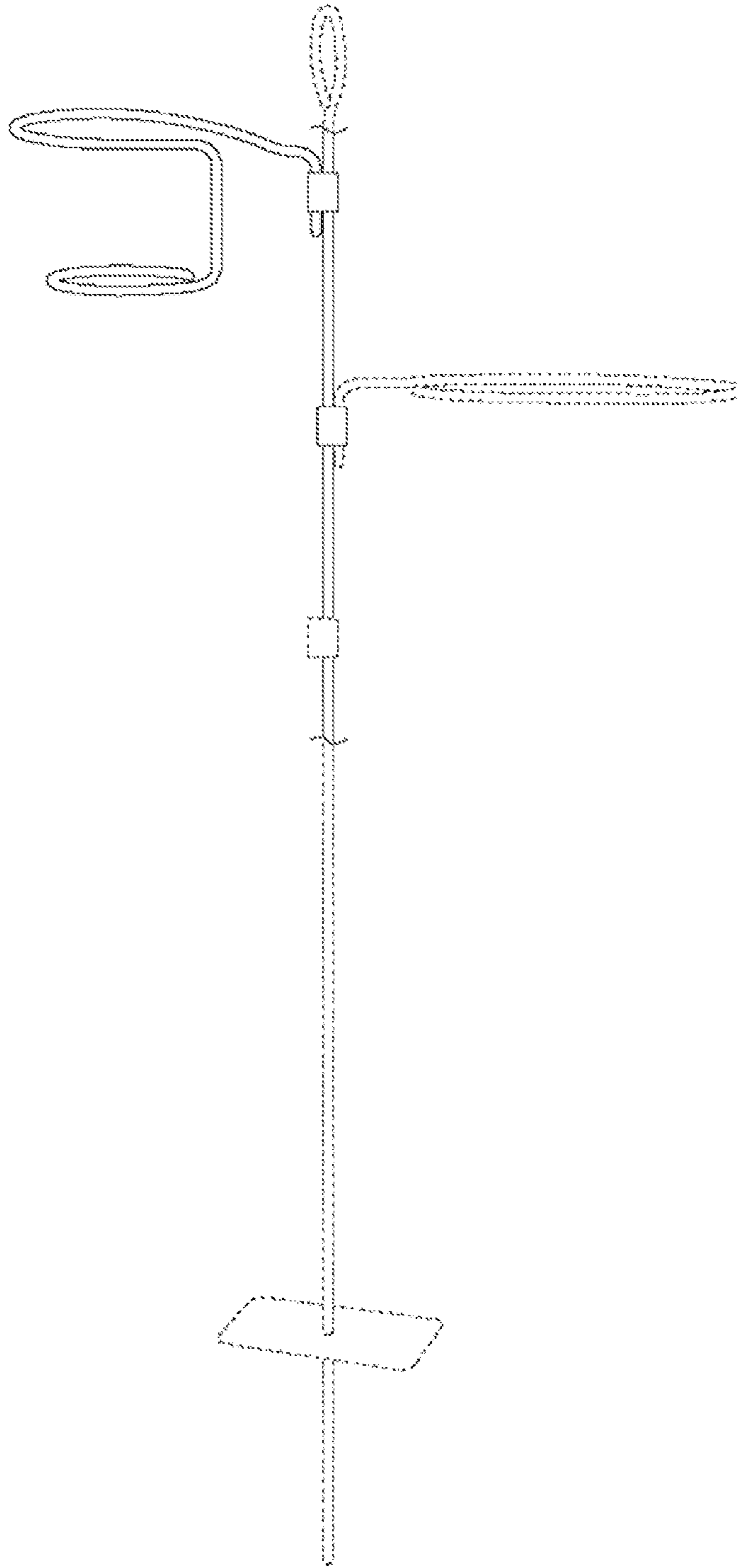


FIG. 3

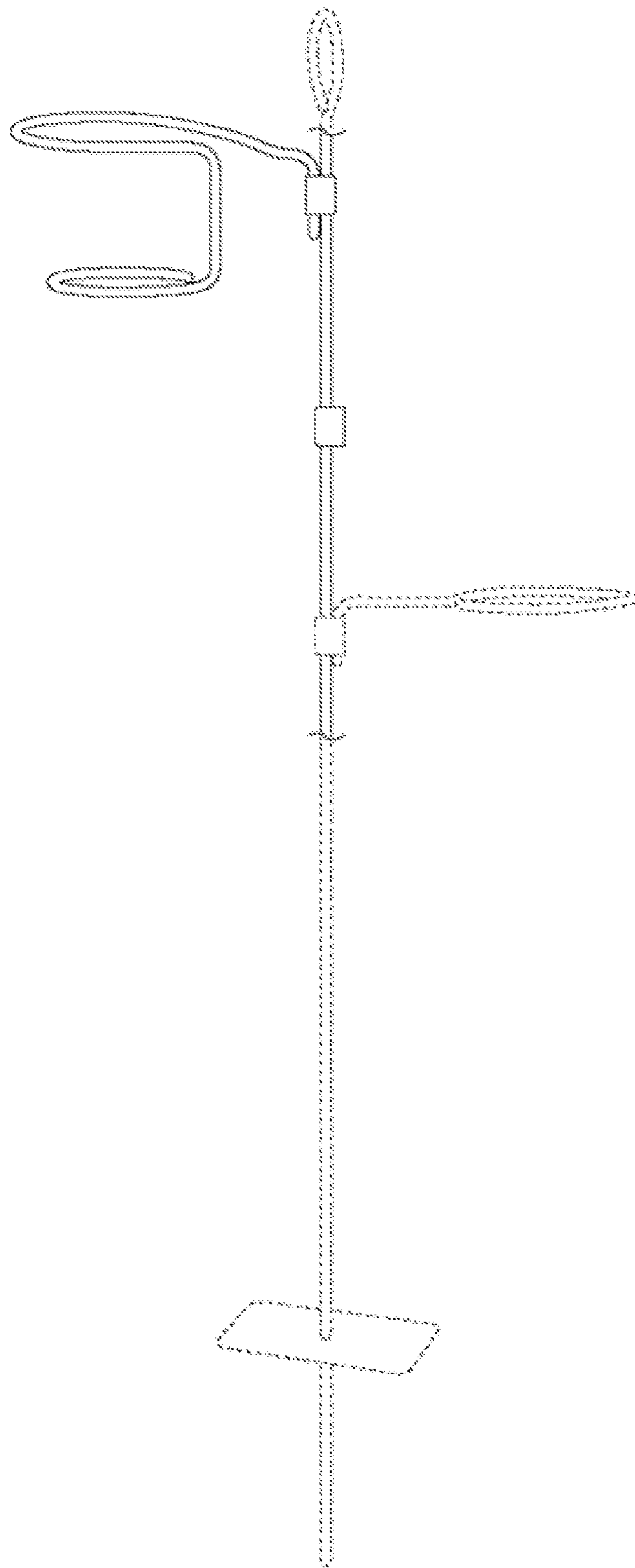


FIG. 4

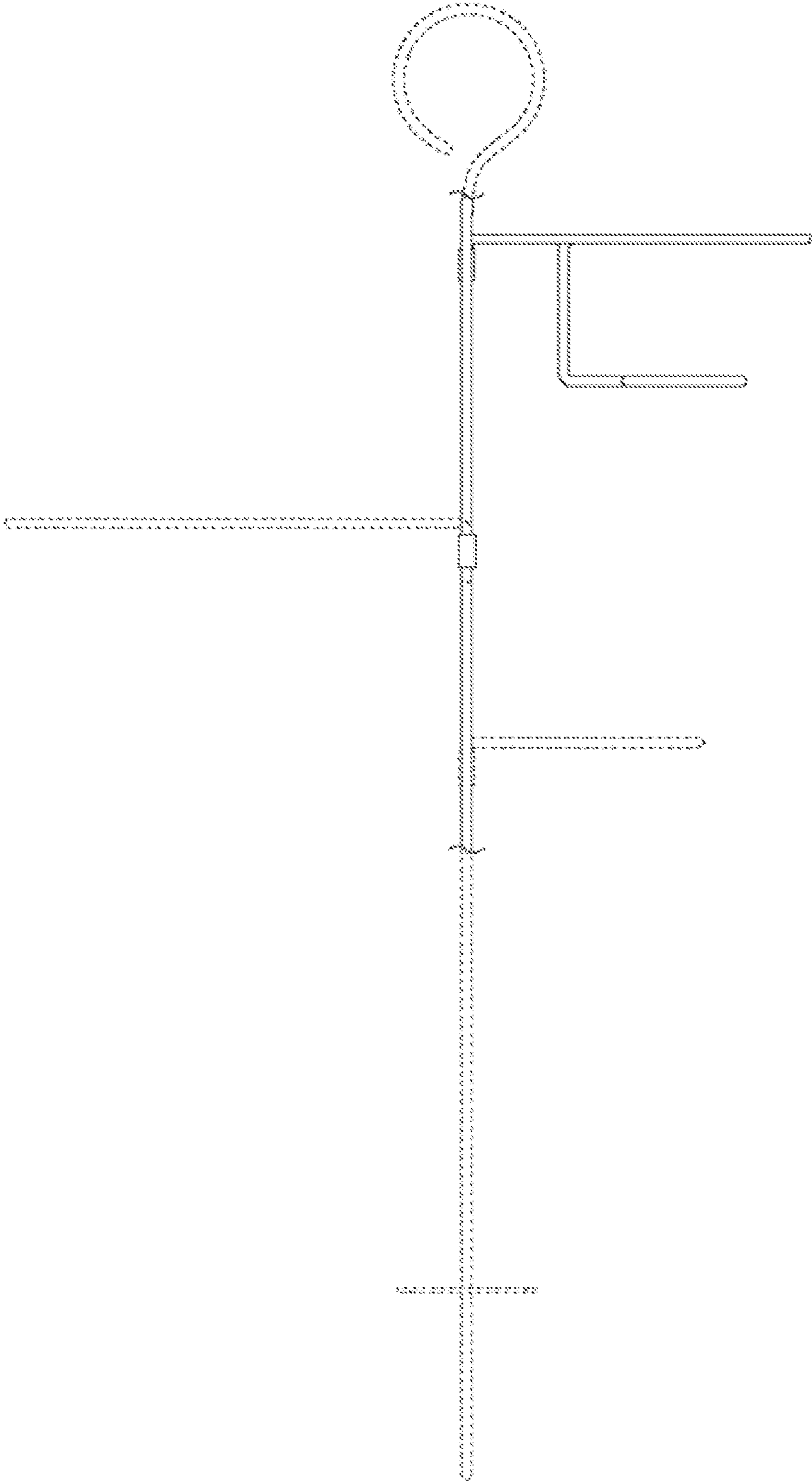


FIG. 5

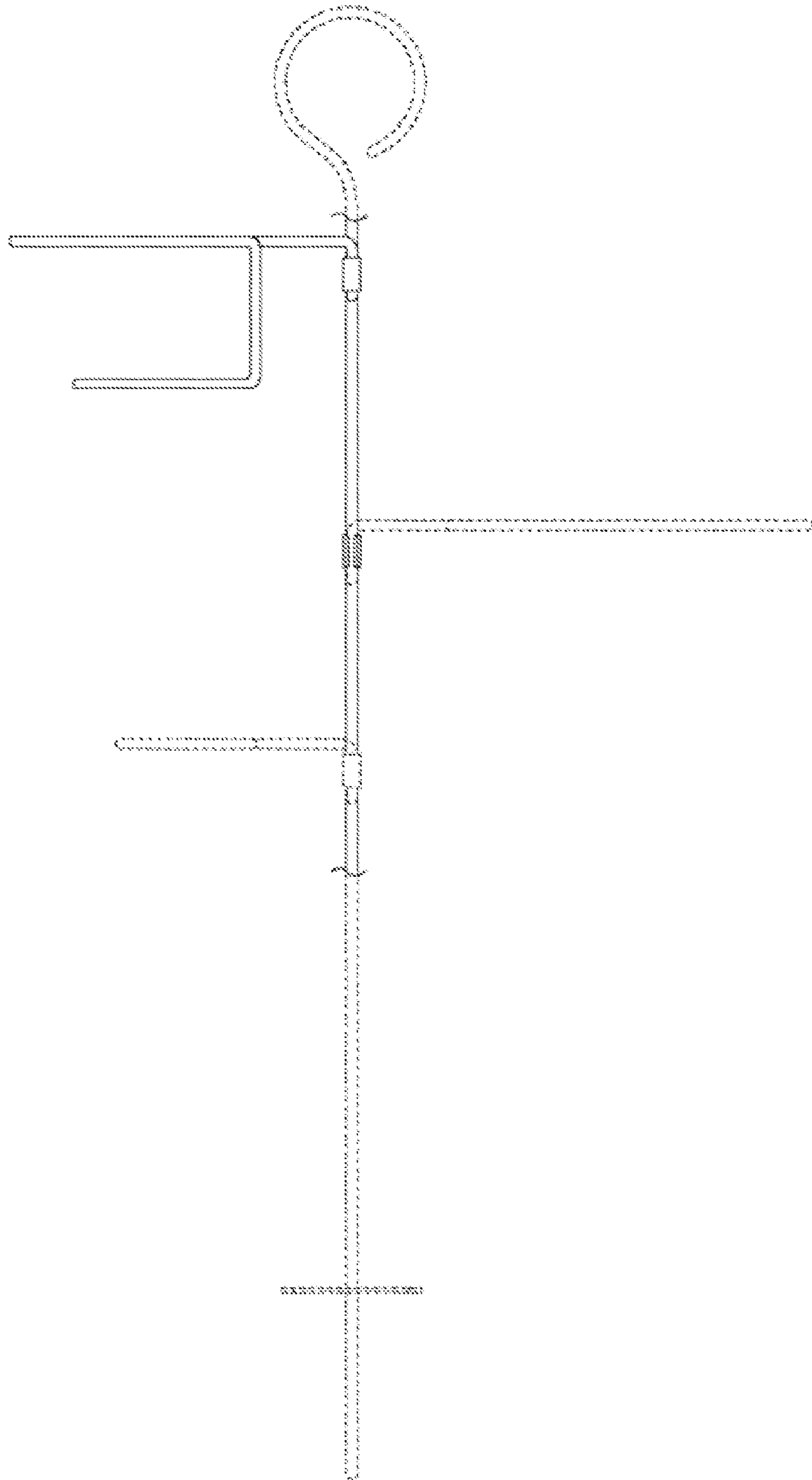


FIG. 6

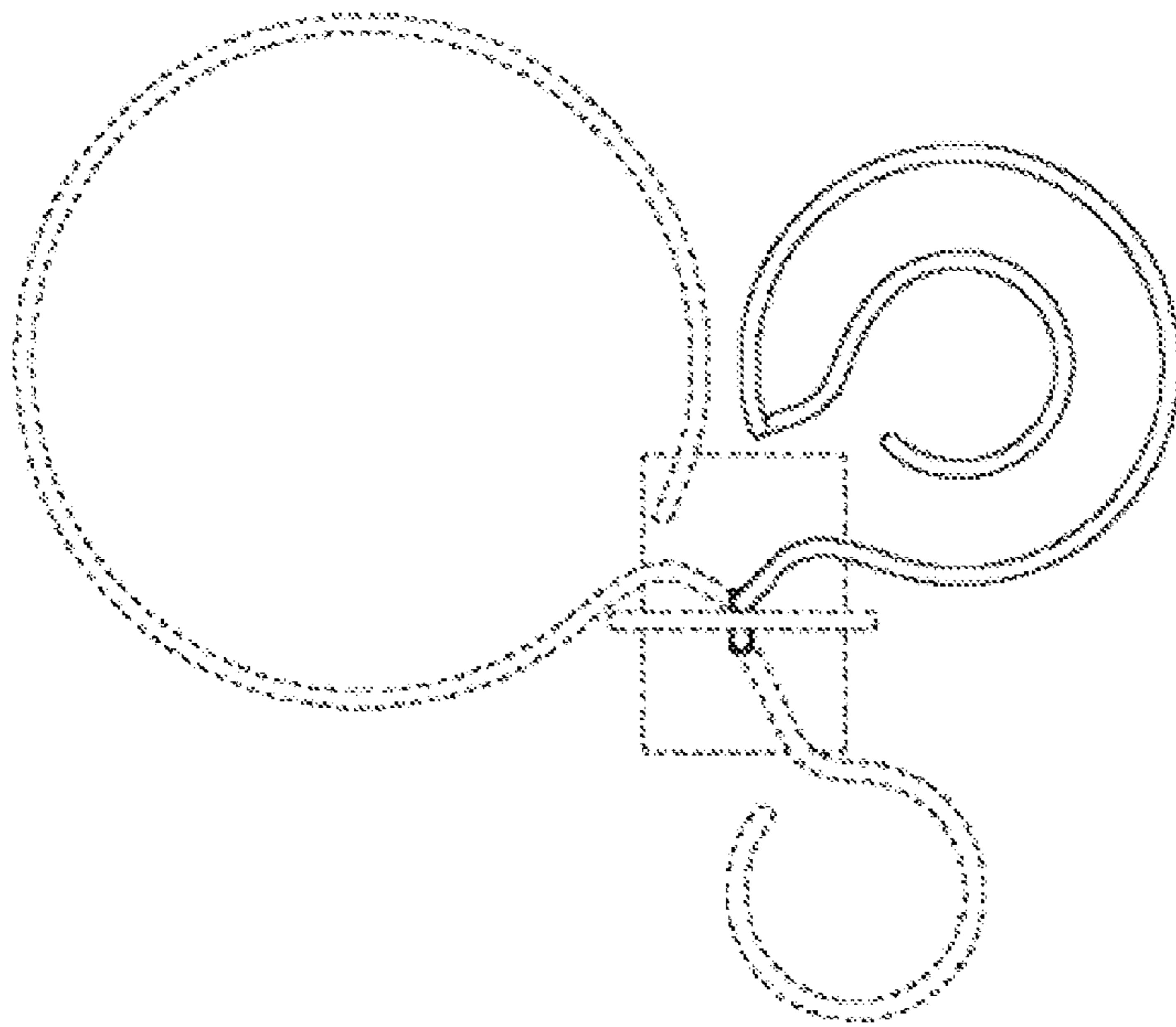


FIG. 7

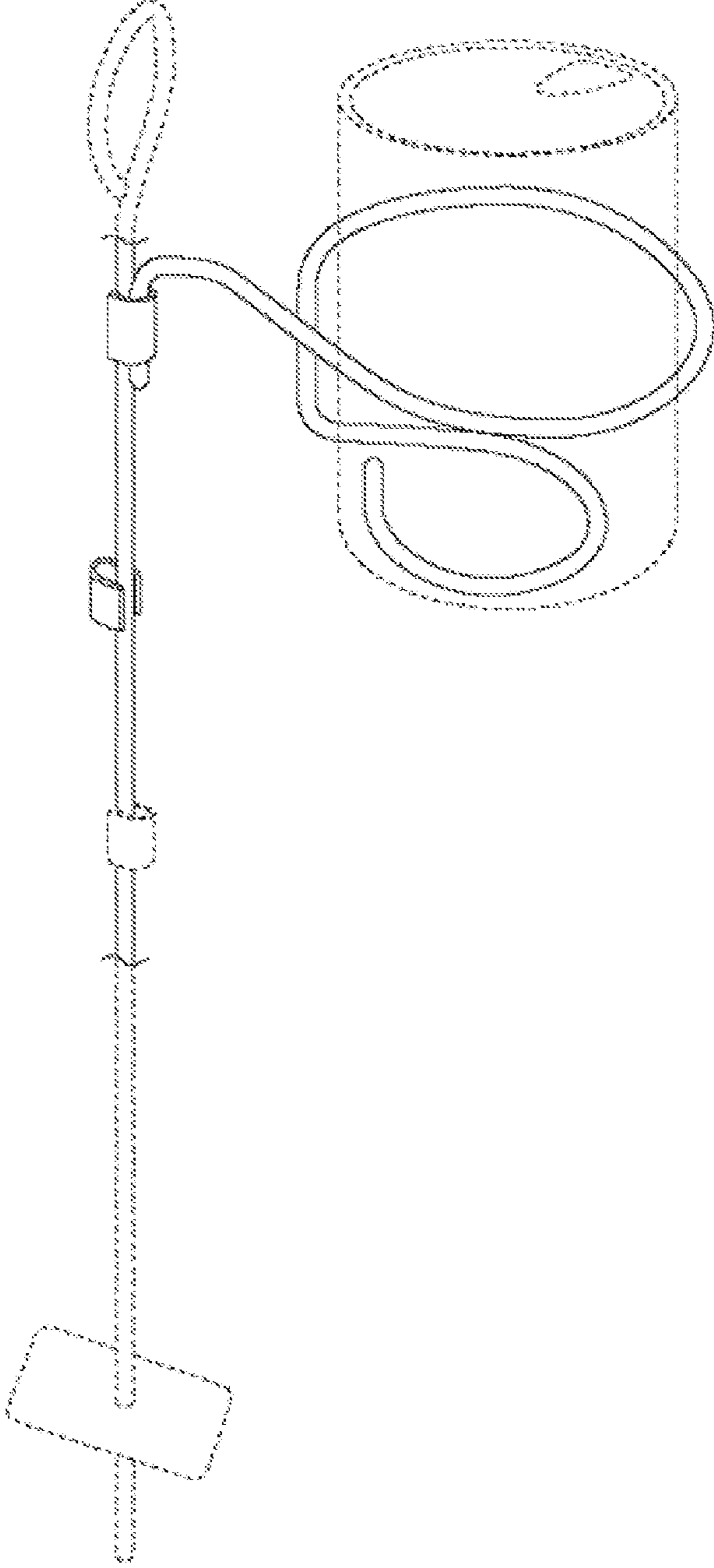


FIG. 8