



US00D660098S

(12) **United States Design Patent**
Chen

(10) **Patent No.:** **US D660,098 S**

(45) **Date of Patent:** **** May 22, 2012**

(54) **KNIFE HANDLE**

(76) Inventor: **Hansen Chen**, Cerritos, CA (US)

(**) Term: **14 Years**

(21) Appl. No.: **29/400,311**

(22) Filed: **Aug. 25, 2011**

(51) **LOC (9) Cl.** **07-03**

(52) **U.S. Cl.** **D7/649; D7/401.2**

(58) **Field of Classification Search** D7/368,
D7/395, 401.2, 642-646, 649-654, 660-664,
D7/669, 675-676, 683, 688-692, 695-696;
D8/25, 83, 99, 107, 303; D22/118; 30/137,
30/141-143, 147-150, 322-327, 329, 340,
30/342-344; 416/70 R

See application file for complete search history.

(56) **References Cited**

U.S. PATENT DOCUMENTS

D287,042 S	*	12/1986	Hoffman	D22/118
D424,887 S	*	5/2000	Stokes	D7/649
D425,365 S	*	5/2000	Chien	D7/401.2
D458,511 S	*	6/2002	Rorke	D7/395
D473,430 S	*	4/2003	Fedor et al.	D7/649
D483,643 S	*	12/2003	Chien	D8/107
D513,927 S		1/2006	Chen		

D547,135 S	*	7/2007	Hasegawa	D7/664
D629,260 S	*	12/2010	Krent et al.	D7/649
D633,345 S	*	3/2011	Ranieri	D7/649

* cited by examiner

Primary Examiner — Ricky Pham

(74) *Attorney, Agent, or Firm* — Canady & Lortz LLP;
Bradley K. Lortz

(57) **CLAIM**

The ornamental design for a knife handle, as shown and described.

DESCRIPTION

FIG. 1 is a perspective view of a knife handle, showing the new design;

FIG. 2 is a front elevational view thereof, wherein the rear elevational view is a mirror image of the front elevational view;

FIG. 3 is an enlarged elevational view thereof;

FIG. 4 is an enlarged right elevational view thereof;

FIG. 5 is a top plan view thereof;

FIG. 6 is a bottom plan view thereof;

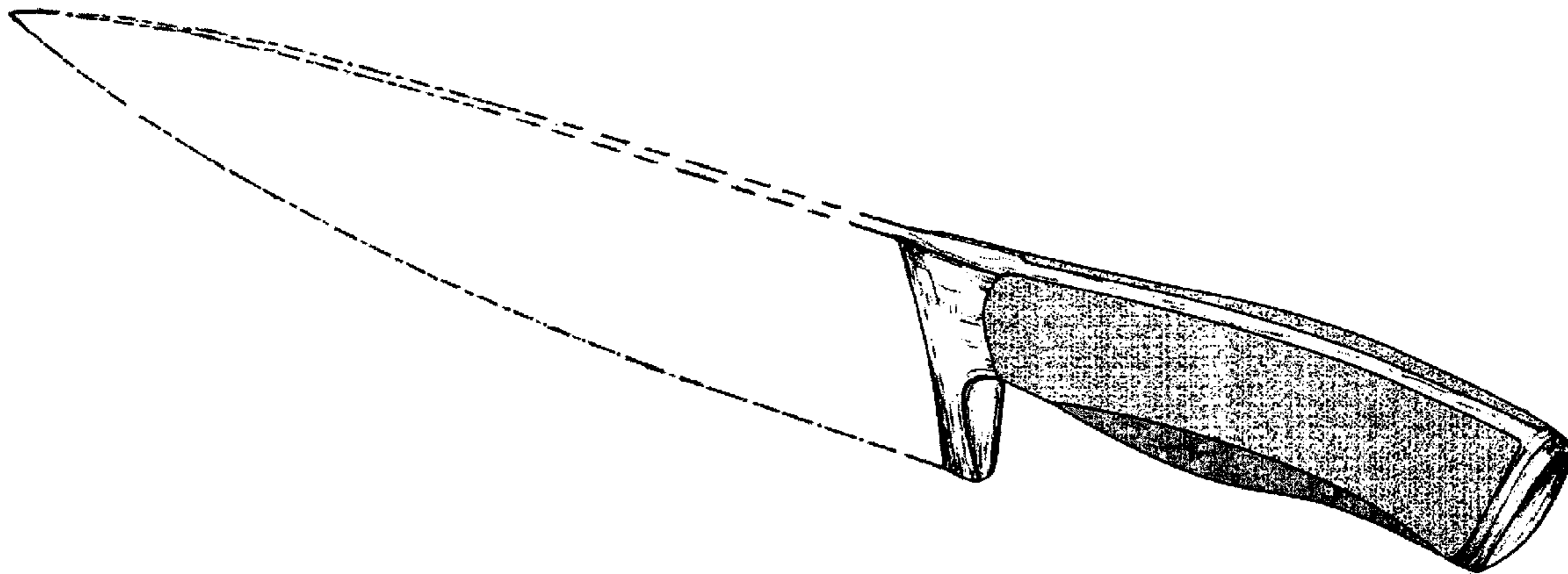
FIG. 7 is another perspective view thereof;

FIG. 8 is an enlarged perspective view thereof; and,

FIG. 9 is an enlarged inverted perspective view thereof.

The broken lines shown in the drawings are for illustrative purposes only and form no part of the claimed design.

1 Claim, 6 Drawing Sheets



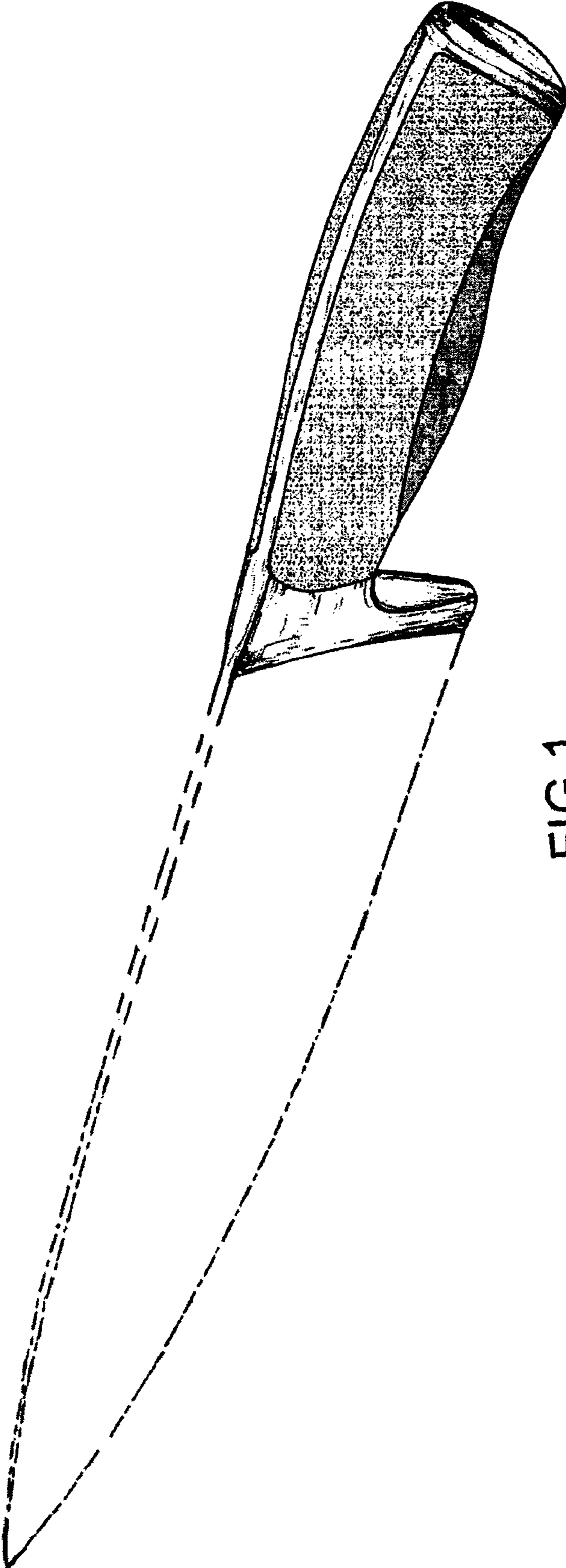


FIG. 1

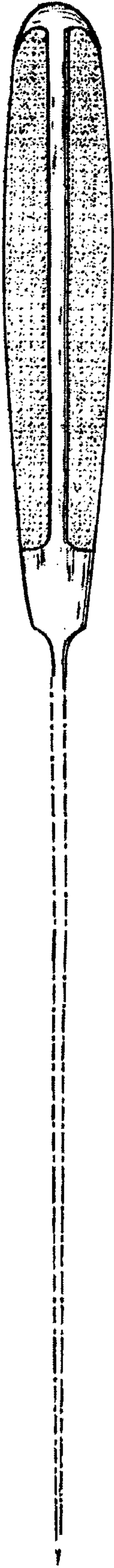


FIG. 5

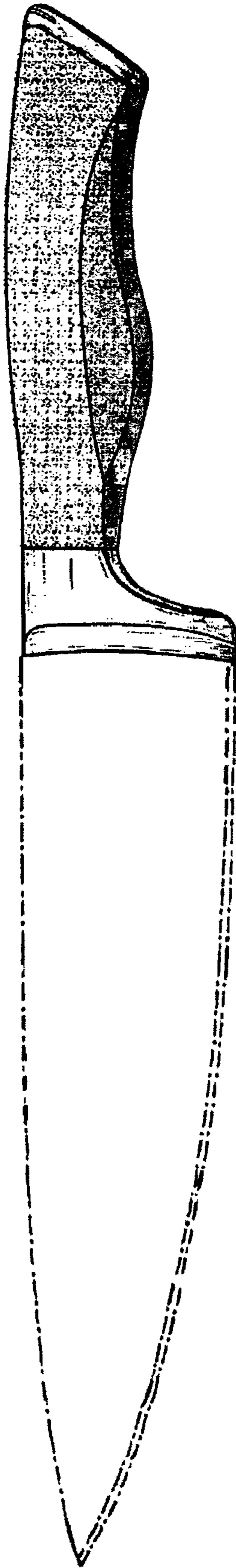


FIG. 2

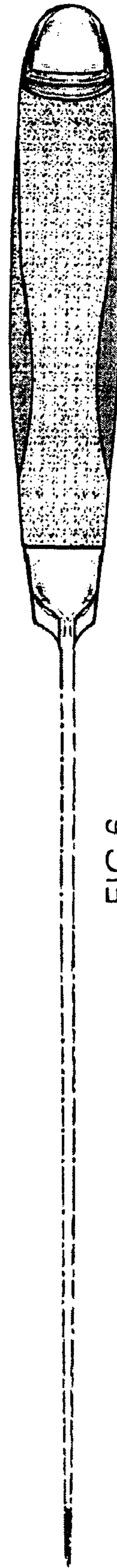


FIG. 6

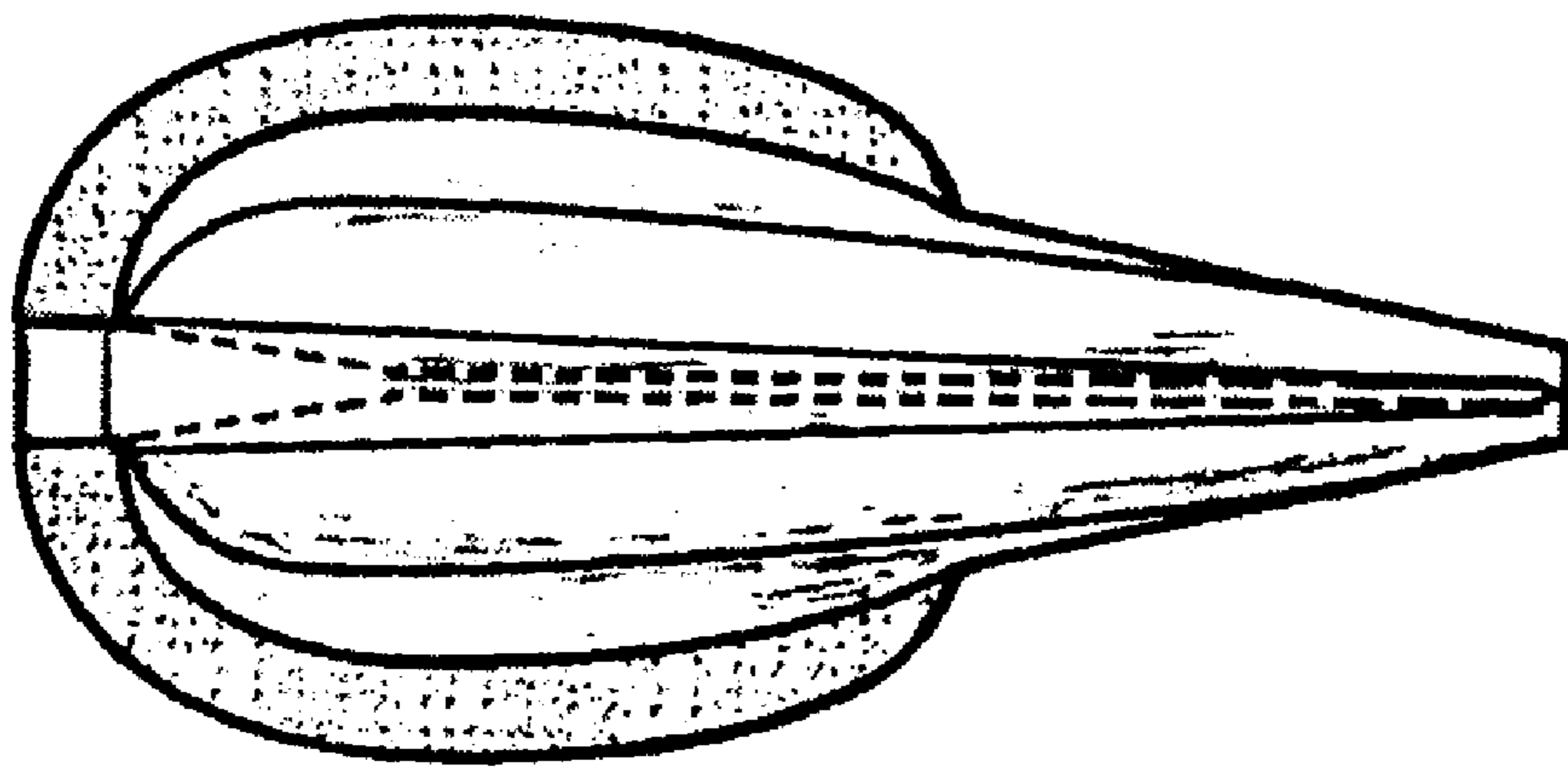


FIG. 3

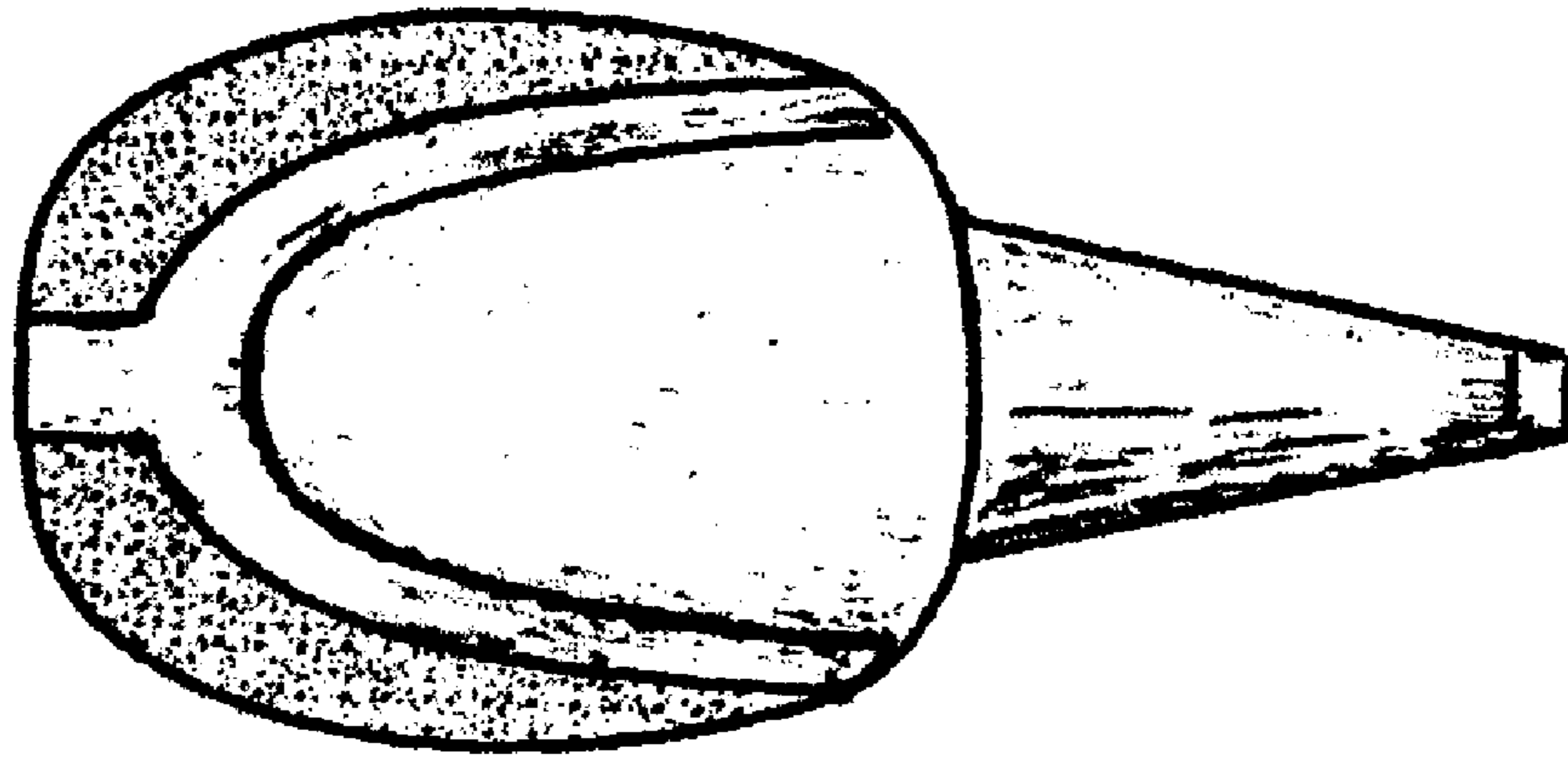


FIG. 4

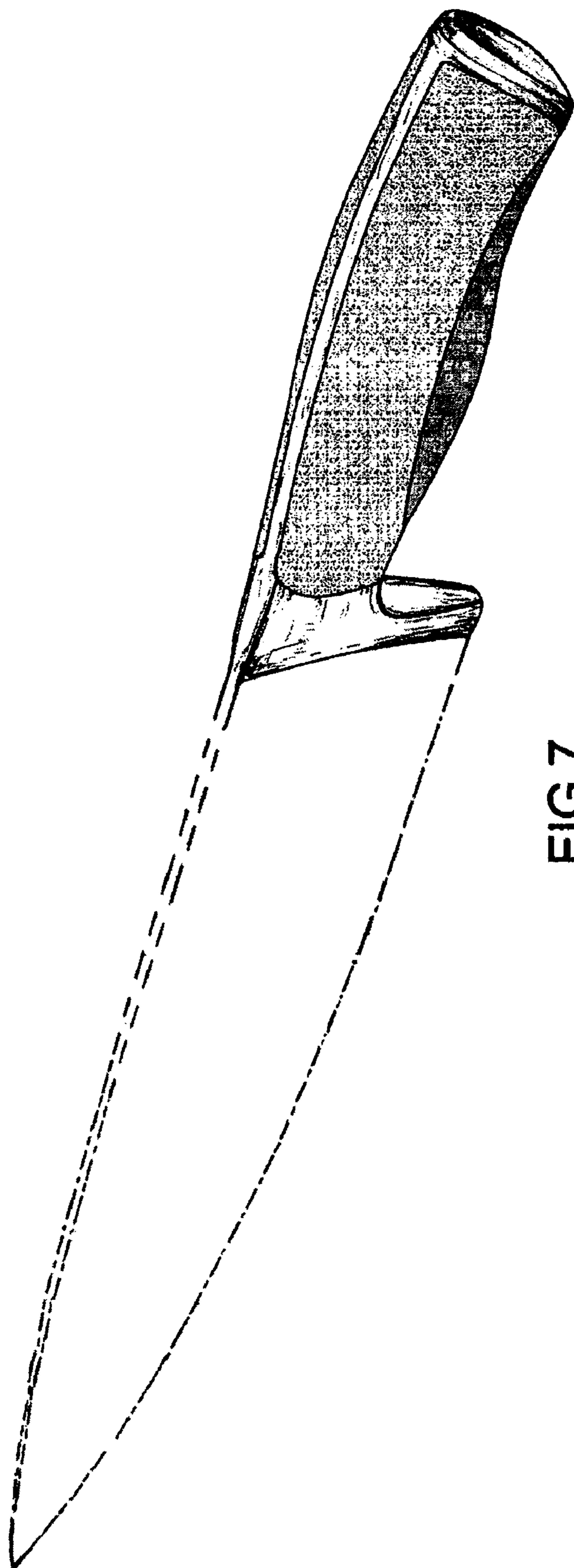


FIG.7

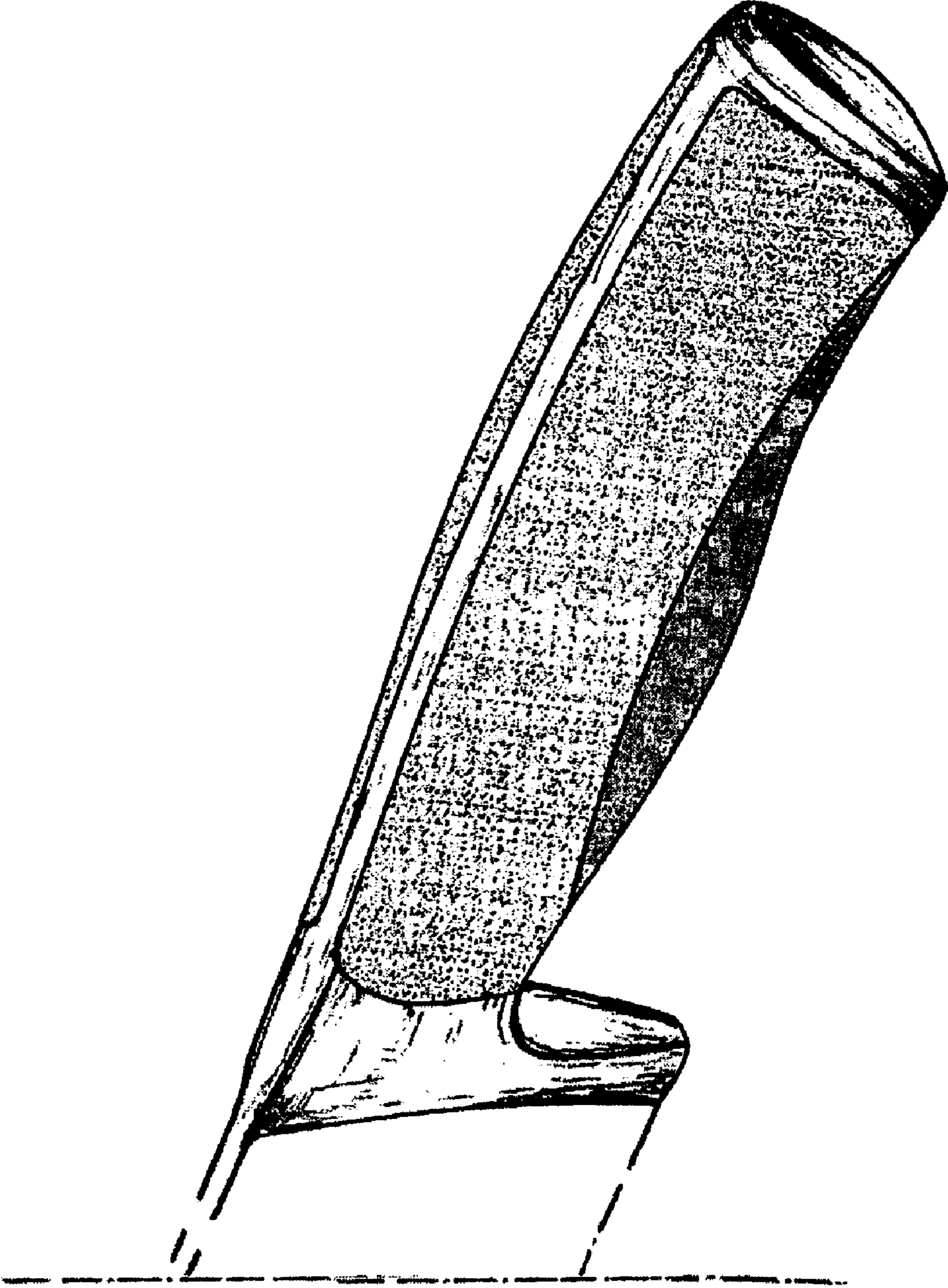


FIG.8

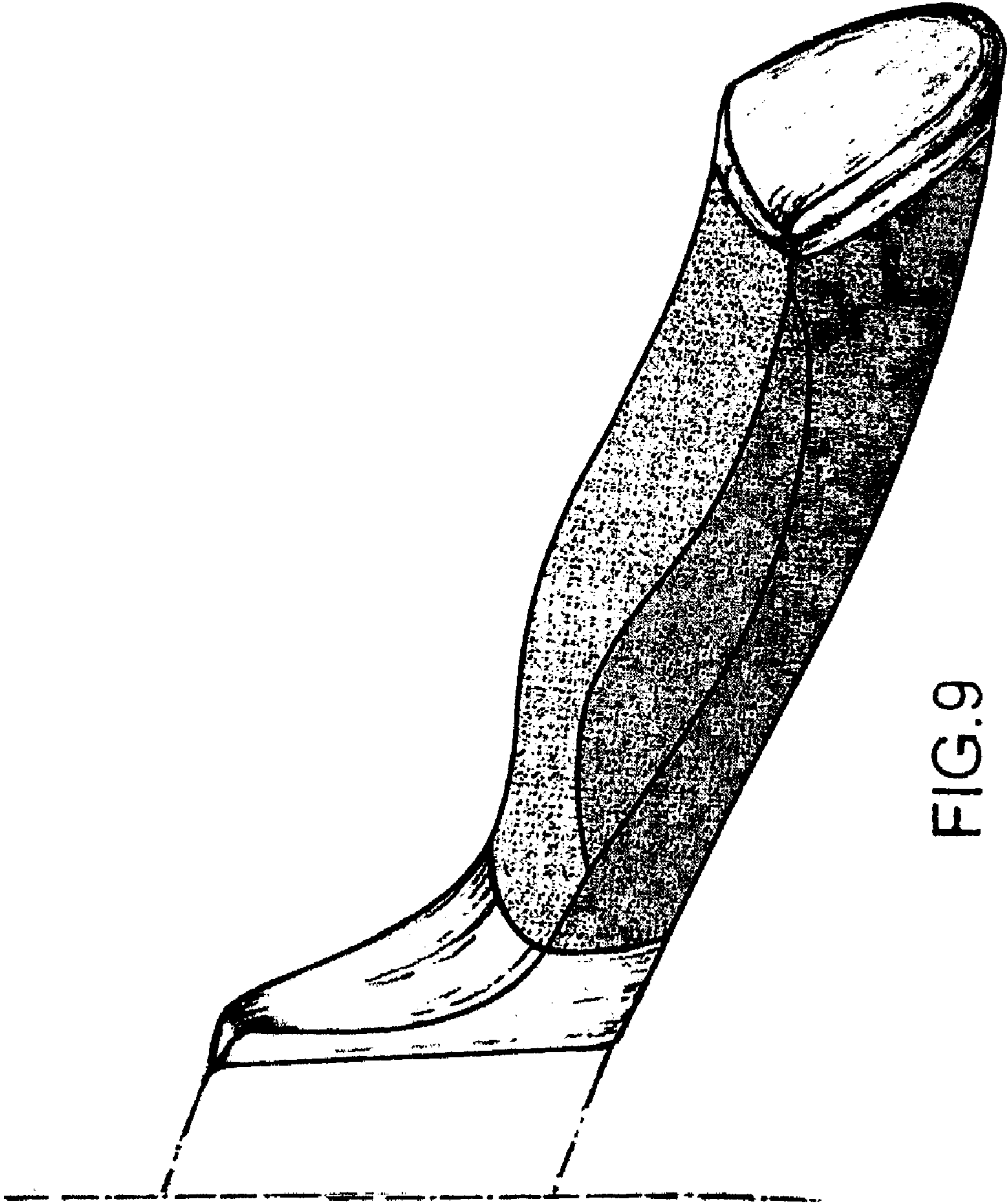


FIG. 9