



US00D660097S

(12) **United States Design Patent**
Chen

(10) **Patent No.:** **US D660,097 S**

(45) **Date of Patent:** **** May 22, 2012**

(54) **KNIFE HANDLE**

(76) Inventor: **Hansen Chen**, Cerritos, CA (US)

(**) Term: **14 Years**

(21) Appl. No.: **29/400,310**

(22) Filed: **Aug. 25, 2011**

(51) **LOC (9) Cl.** **07-03**

(52) **U.S. Cl.** **D7/649; D7/401.2**

(58) **Field of Classification Search** D7/368,
D7/395, 401.2, 642-646, 649-654, 660-664,
D7/669, 675-676, 683, 688-692, 695-696;
D8/25, 83, 99, 107, 303; D22/118; 30/137,
30/141-143, 147-150, 322-327, 329, 340,
30/342-344; 416/70 R

See application file for complete search history.

(56) **References Cited**

U.S. PATENT DOCUMENTS

2,492,096	A *	12/1949	Juengst	30/344
D169,413	S *	4/1953	Bordelon	D7/649
3,114,973	A *	12/1963	Kennedy	30/342
D230,562	S *	3/1974	Fellows	D8/99
D274,399	S *	6/1984	Olsen, Jr.	D7/649
D279,447	S *	7/1985	Gangelhoff et al.	D7/649
D353,299	S *	12/1994	Beltrami, Sr.	D7/401.2

D418,026	S *	12/1999	Joergensen	D7/649
D513,927	S	1/2006	Chen		
D623,026	S *	9/2010	Gerlach	D7/649

* cited by examiner

Primary Examiner — Ricky Pham

(74) *Attorney, Agent, or Firm* — Canady & Lortz LLP;
Bradley K. Lortz

(57) **CLAIM**

The ornamental design for a knife handle, as shown and described.

DESCRIPTION

FIG. 1 is a perspective view of a knife handle, showing the new design;

FIG. 2 is a front elevational view thereof, wherein the rear elevational view is a mirror image of the front elevational view;

FIG. 3 is an enlarged elevational view thereof;

FIG. 4 is an enlarged right elevational view thereof;

FIG. 5 is a top plan view thereof;

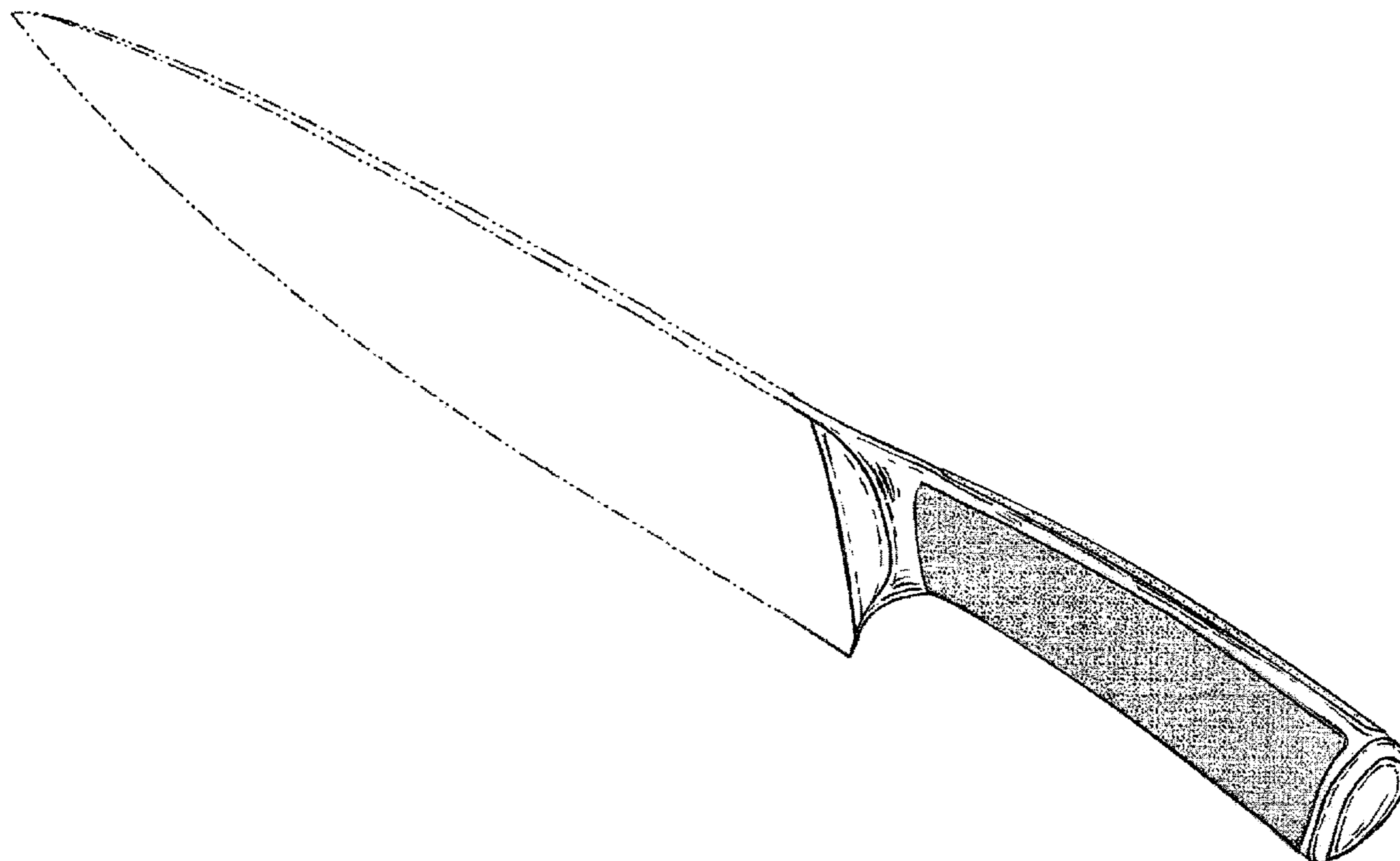
FIG. 6 is a bottom plan view thereof;

FIG. 7 is an enlarged perspective view thereof; and,

FIG. 8 is an enlarged inverted plan view thereof.

The broken lines shown in the drawings are for illustrative purposes only and form no part of the claimed design.

1 Claim, 5 Drawing Sheets



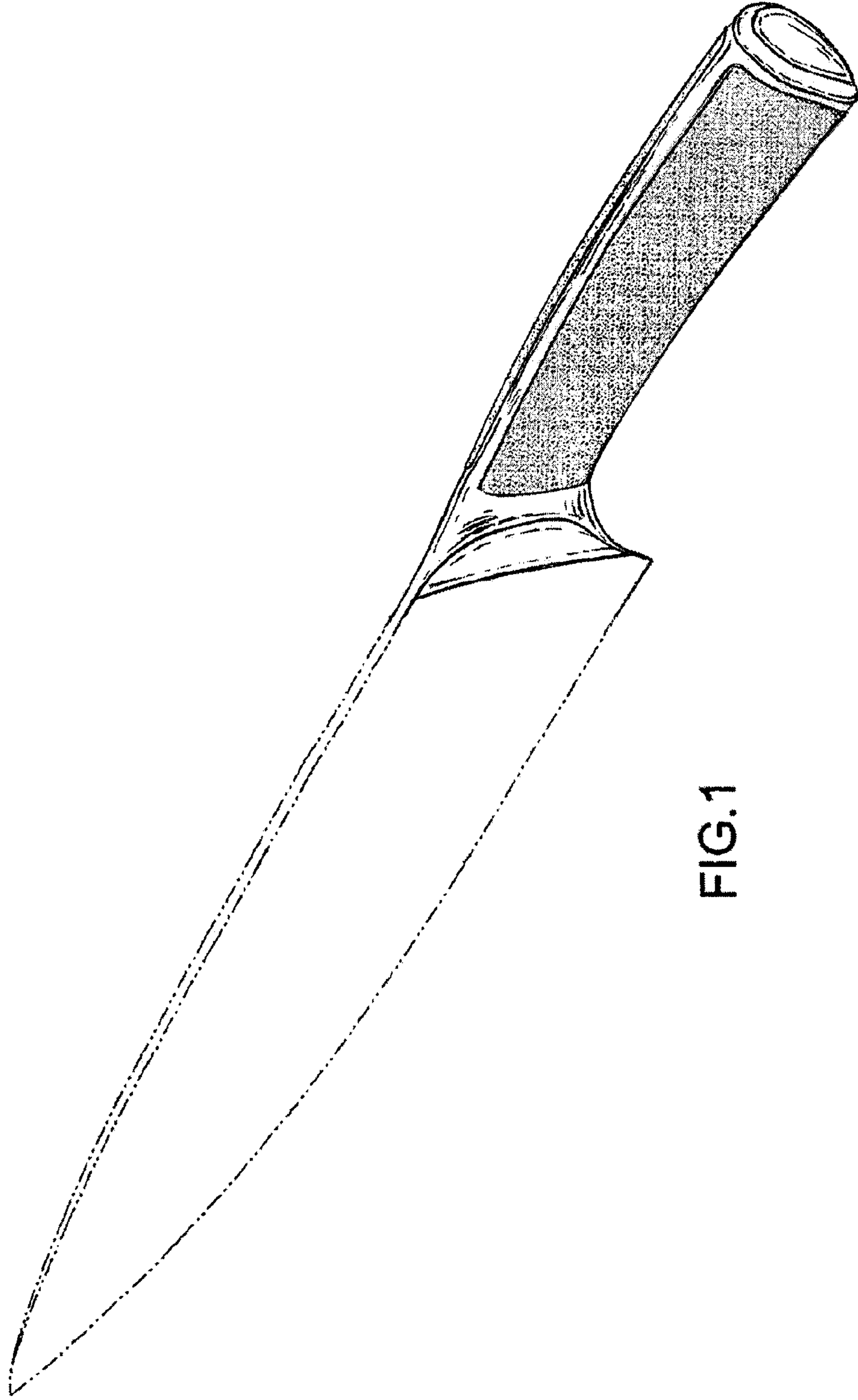


FIG.1

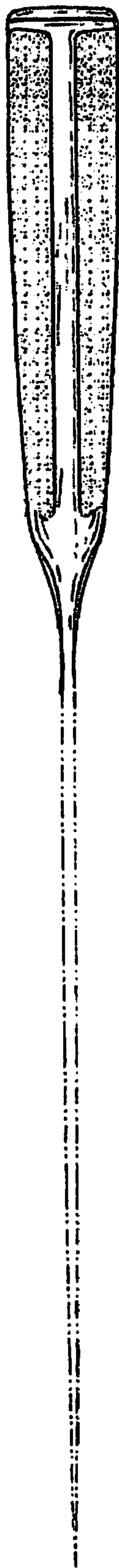


FIG. 5

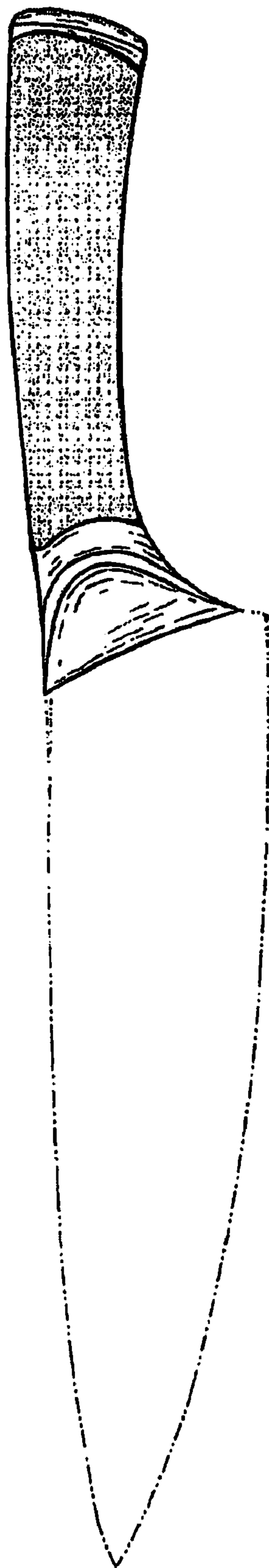


FIG. 2



FIG. 6

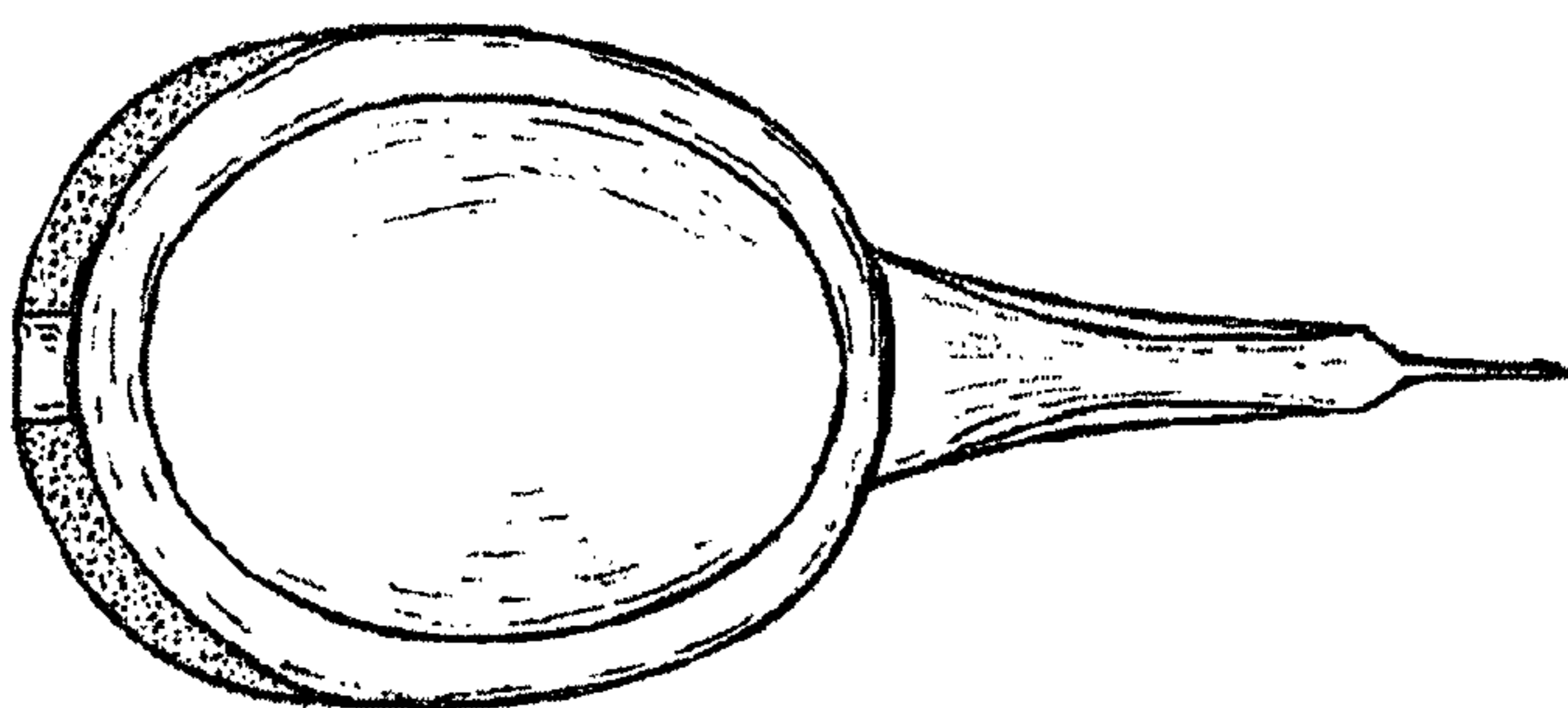


FIG.4

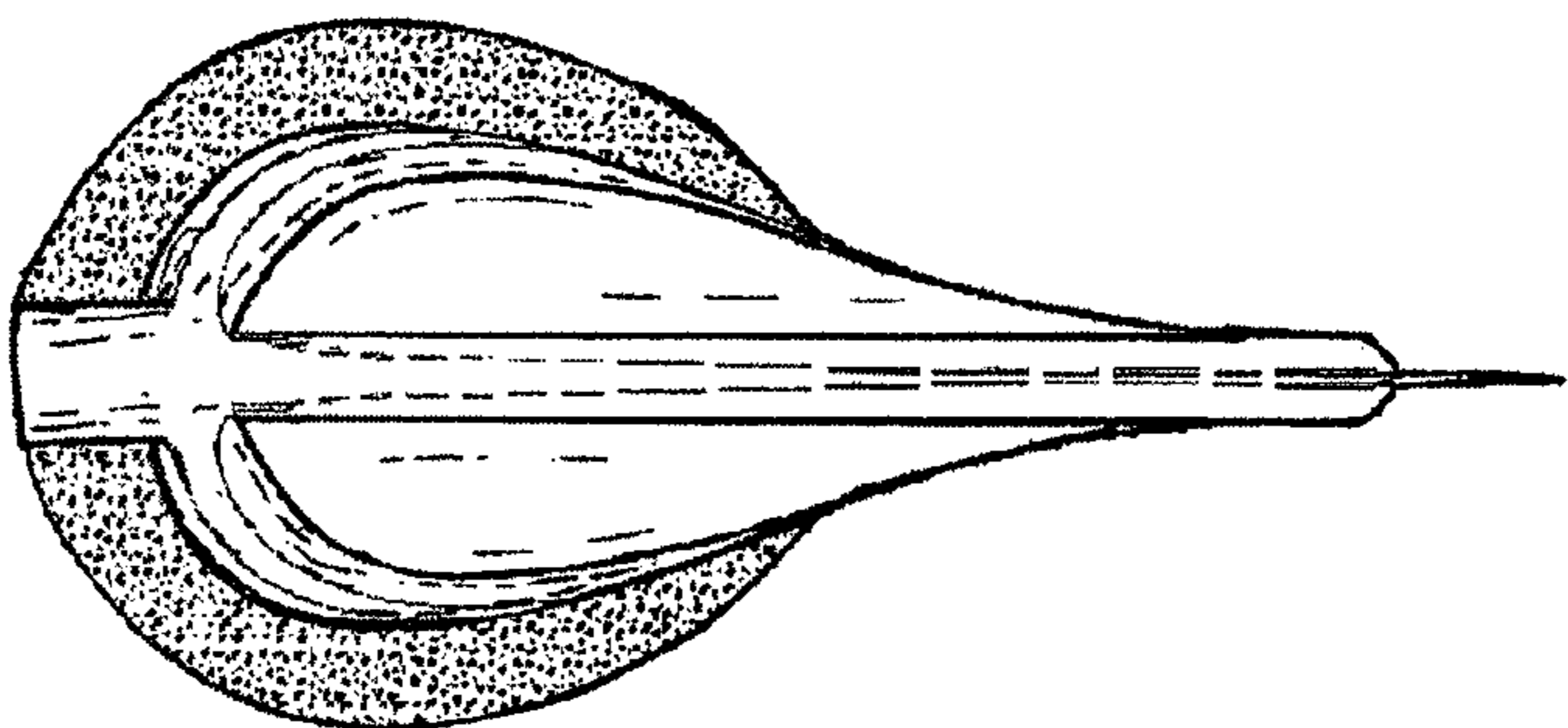


FIG.3

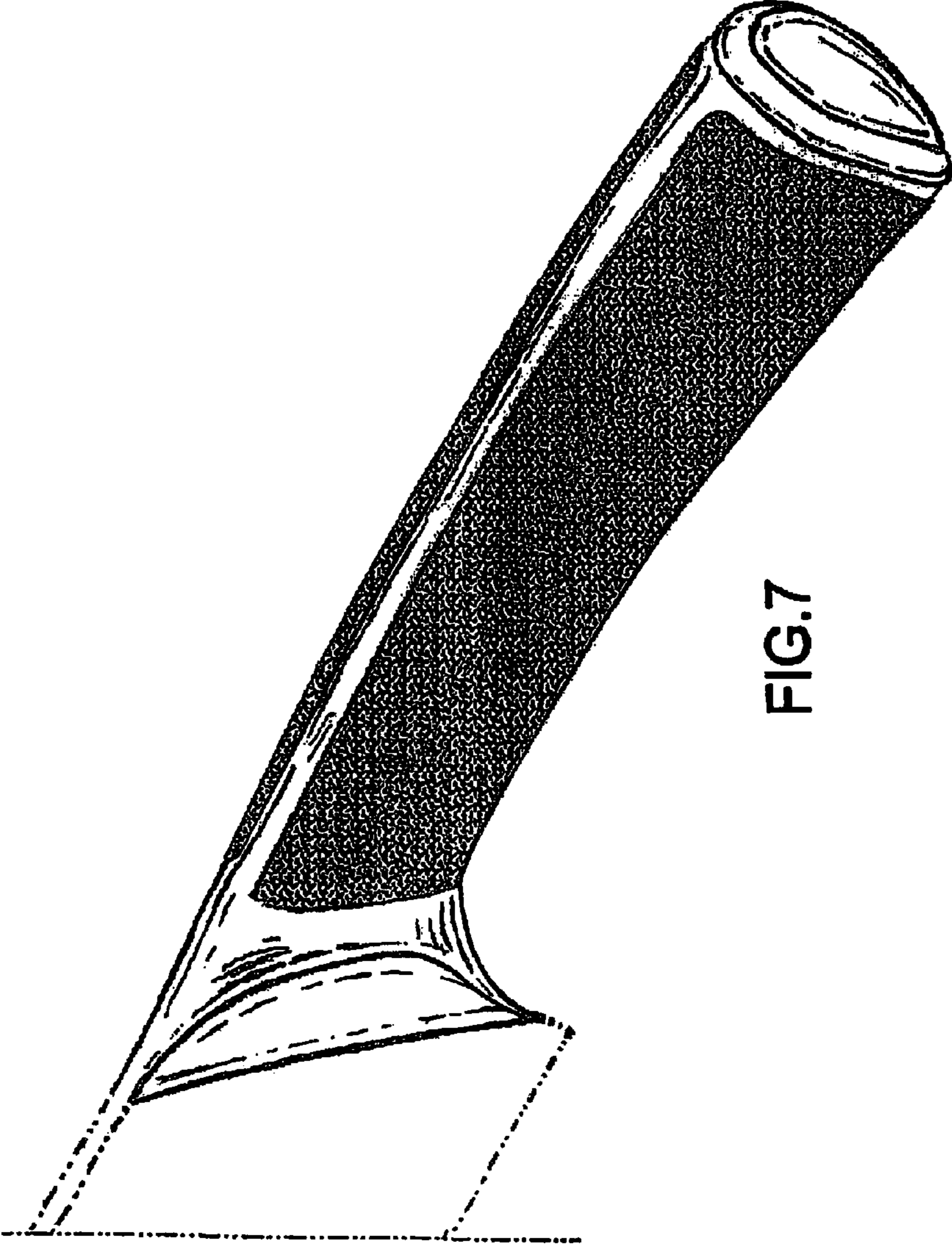


FIG. 7

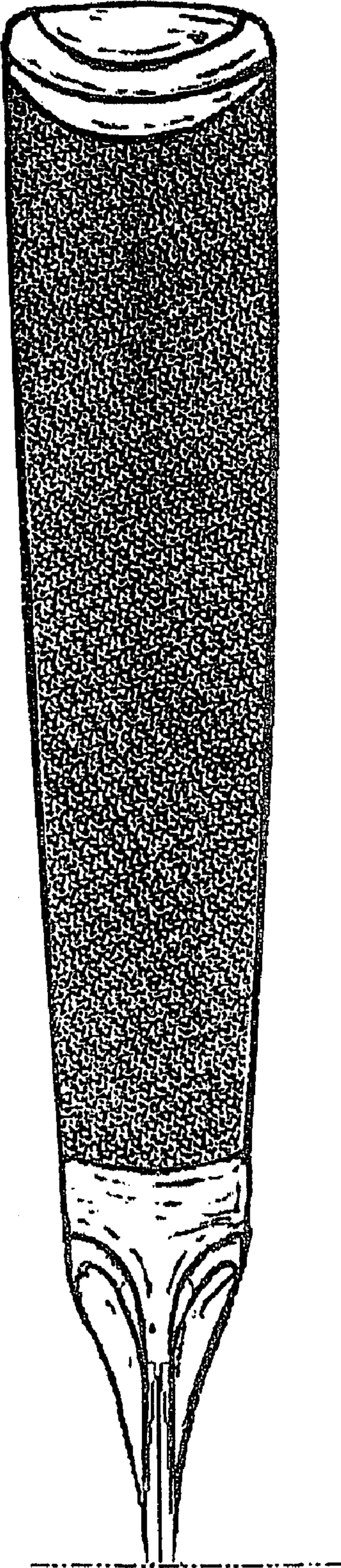


FIG.8