

US00D660093S

(12) **United States Design Patent**  
**Kyung**

(10) **Patent No.:** **US D660,093 S**

(45) **Date of Patent:** **\*\* May 22, 2012**

(54) **FOOD CONTAINER**

(75) Inventor: **Kim Deok Kyung**, Seoul (KR)

(73) Assignee: **Sam Kwang Glass Co., Ltd.**, Seoul (KR)

(\*\*) Term: **14 Years**

(21) Appl. No.: **29/399,599**

(22) Filed: **Aug. 16, 2011**

(30) **Foreign Application Priority Data**

Feb. 19, 2011 (KR) ..... 30-2011-0005966

(51) **LOC (9) Cl.** ..... **07-07**

(52) **U.S. Cl.** ..... **D7/629**

(58) **Field of Classification Search** ..... D7/601,  
D7/602, 629, 630, 538-542, 612-615, 584,  
D7/586, 587; D9/424-432; D3/273; 229/107,  
229/406, 120, 125.17; 220/669-673, 675,  
220/574-575, 573.1, 660, 326, 236, 780-806,  
220/4.21, 4.24, 288, 260

See application file for complete search history.

(56) **References Cited**

**U.S. PATENT DOCUMENTS**

D248,216 S \* 6/1978 Allen et al. .... D9/778  
D488,031 S \* 4/2004 Kim ..... D7/629  
D491,024 S \* 6/2004 Welsh ..... D7/629  
D493,073 S \* 7/2004 Kim ..... D7/629

D506,106 S \* 6/2005 Ordiway et al. .... D7/629  
D523,296 S \* 6/2006 Kim ..... D7/629  
D537,300 S \* 2/2007 Kim ..... D7/629  
D546,140 S \* 7/2007 Anzalone ..... D7/672  
D575,115 S \* 8/2008 Zimmerman ..... D7/629  
D582,218 S \* 12/2008 Curtin ..... D7/629  
D604,119 S \* 11/2009 Kim ..... D7/629  
D606,813 S \* 12/2009 Kim ..... D7/629  
2003/0010783 A1 \* 1/2003 Prezelin ..... 220/324

\* cited by examiner

*Primary Examiner* — Terry Wallace

(74) *Attorney, Agent, or Firm* — Honigman Miller Schwartz and Cohn LLP

(57) **CLAIM**

The ornamental design for a food container, as shown and described.

**DESCRIPTION**

FIG. 1 is a front perspective view of an embodiment of a food container according to the new design;

FIG. 2 is a front view of the food container shown in FIG. 1;

FIG. 3 is a back view of the food container shown in FIG. 1;

FIG. 4 is a right view of the food container shown in FIG. 1;

FIG. 5 is a left view of the food container shown in FIG. 1;

FIG. 6 is a top view of the food container shown in FIG. 1;

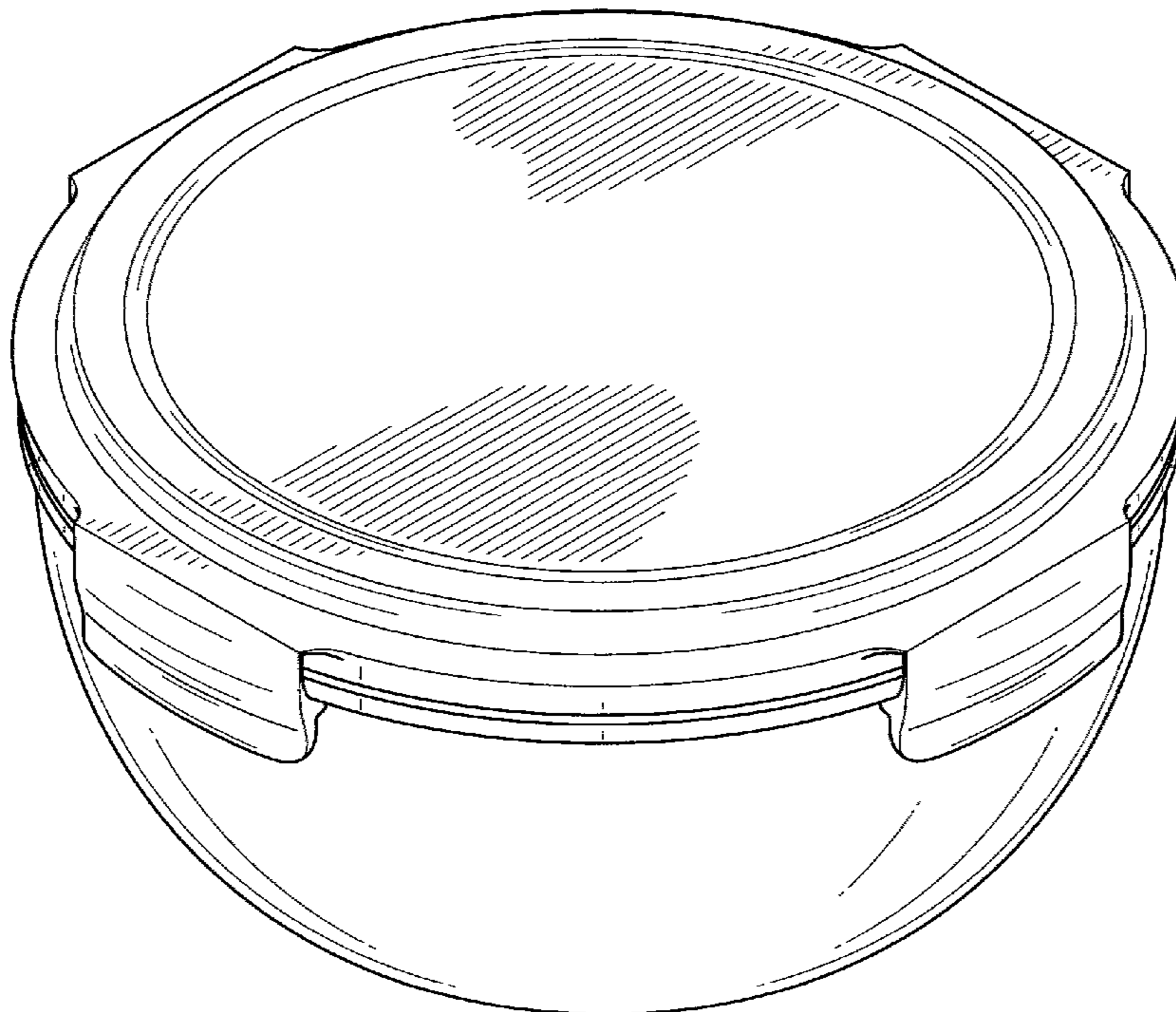
and,

FIG. 7 is a bottom view of the food container shown in FIG. 1.

1.

The broken lines are for illustrative purposes and form no part of the present invention.

**1 Claim, 7 Drawing Sheets**



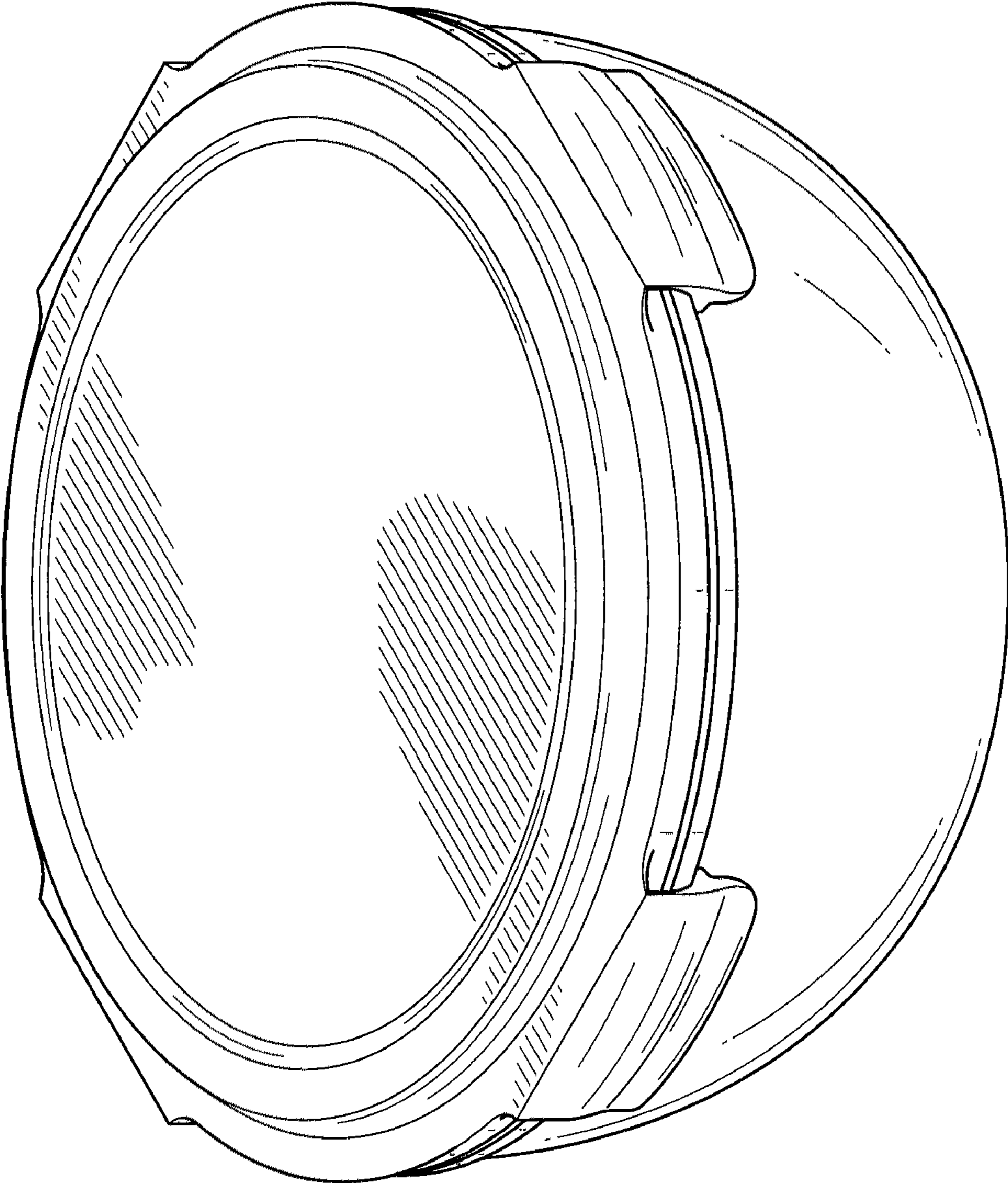


FIG. 1

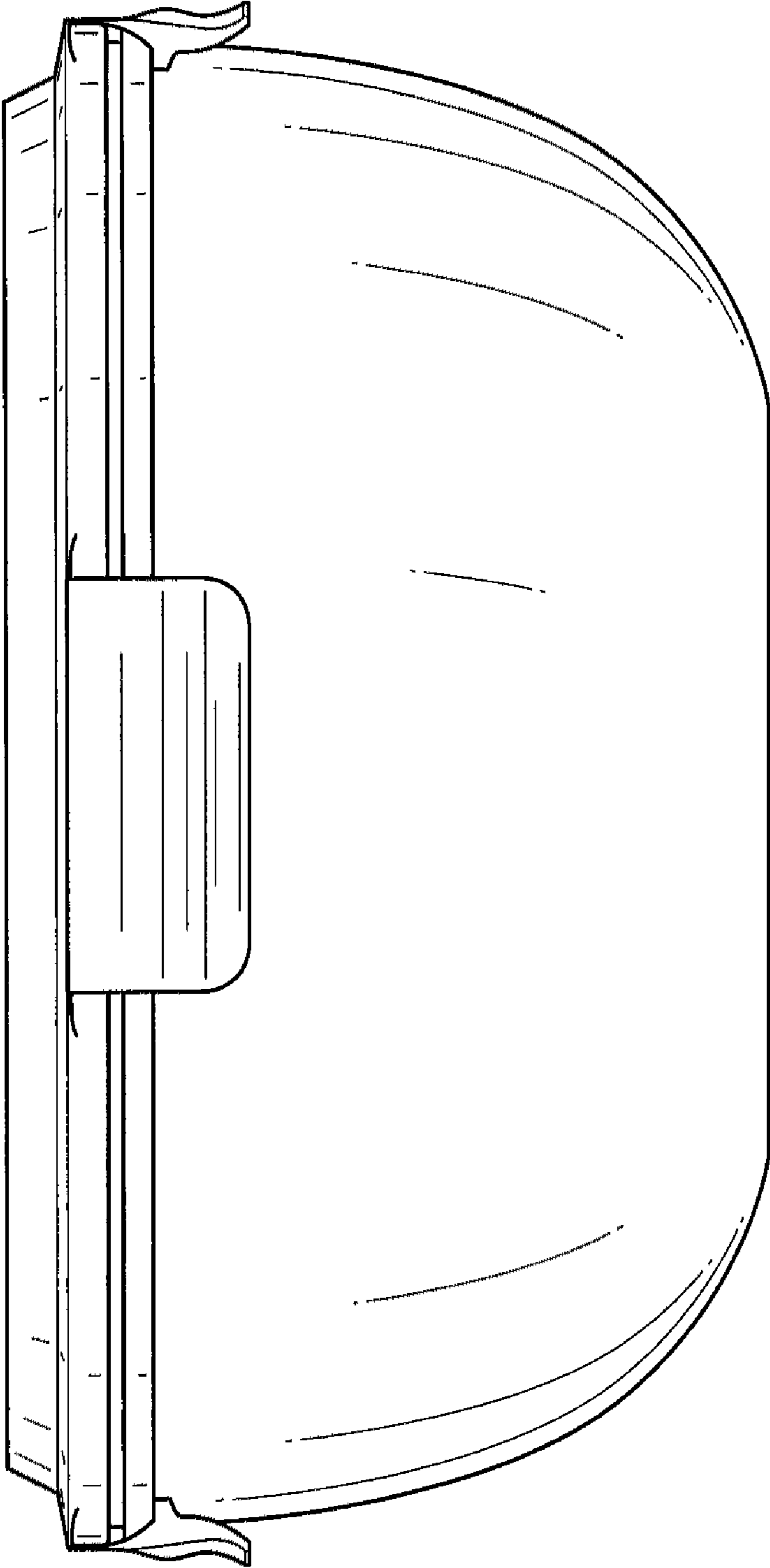


FIG. 2

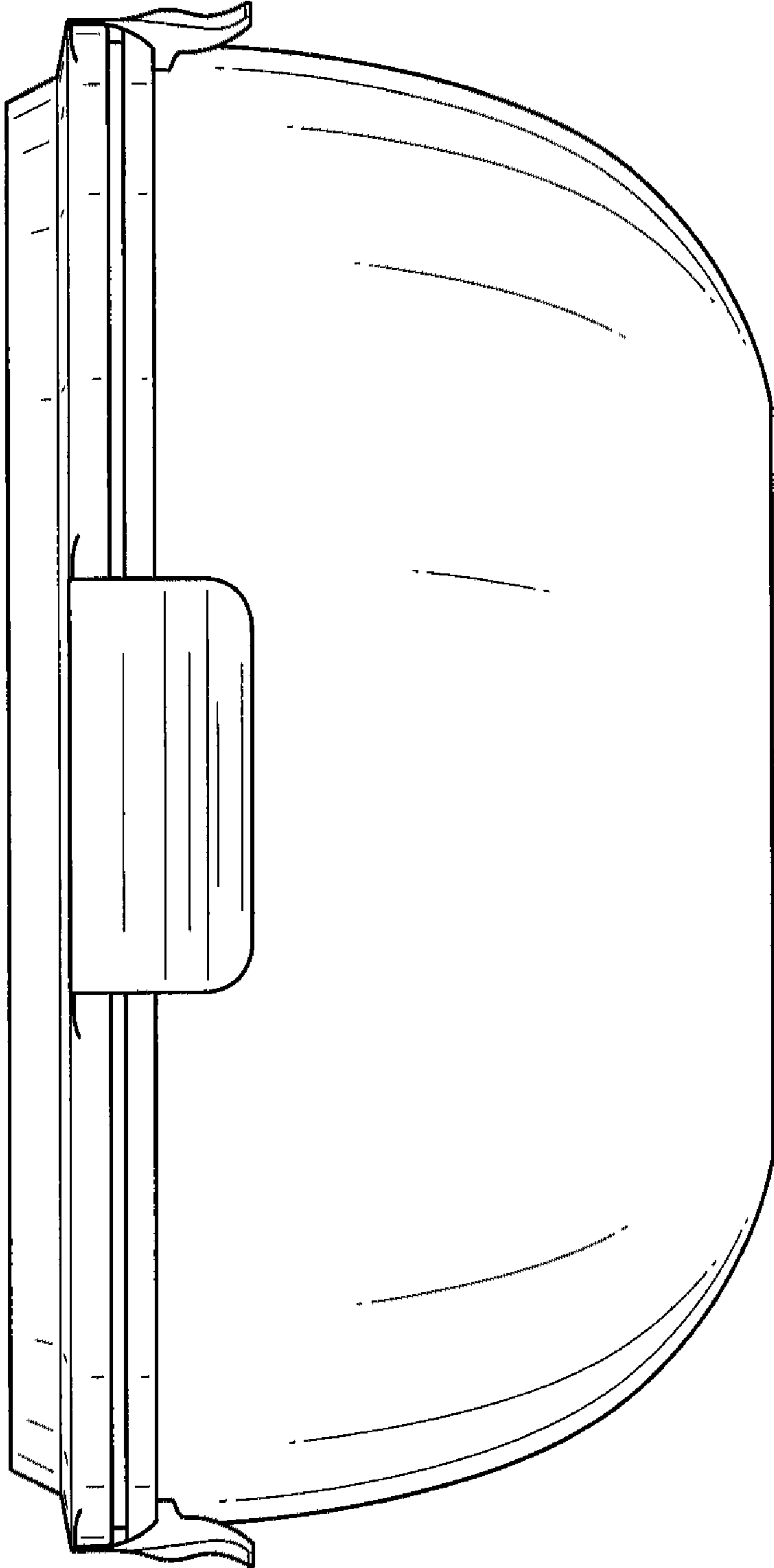


FIG. 3

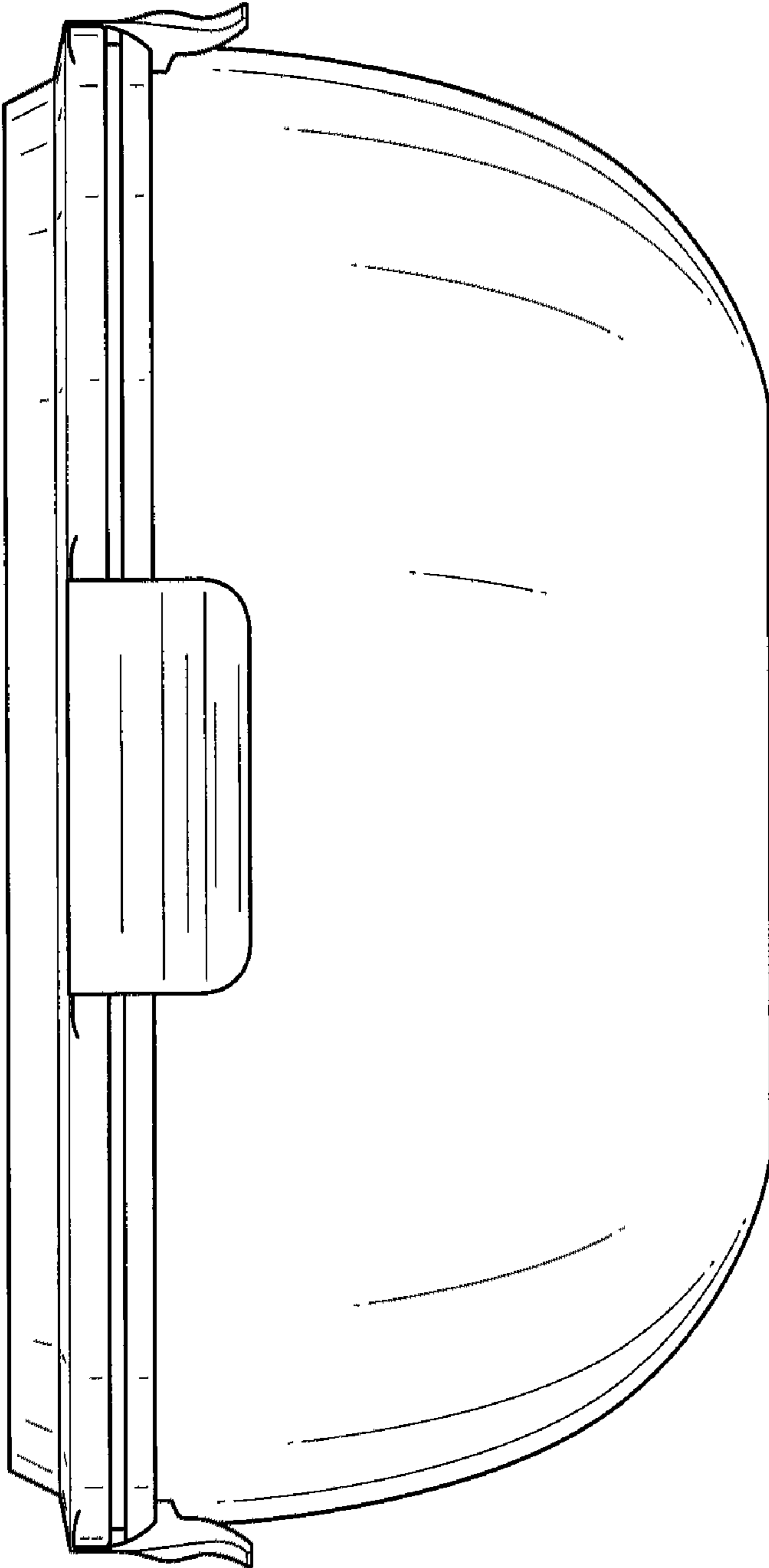


FIG. 4

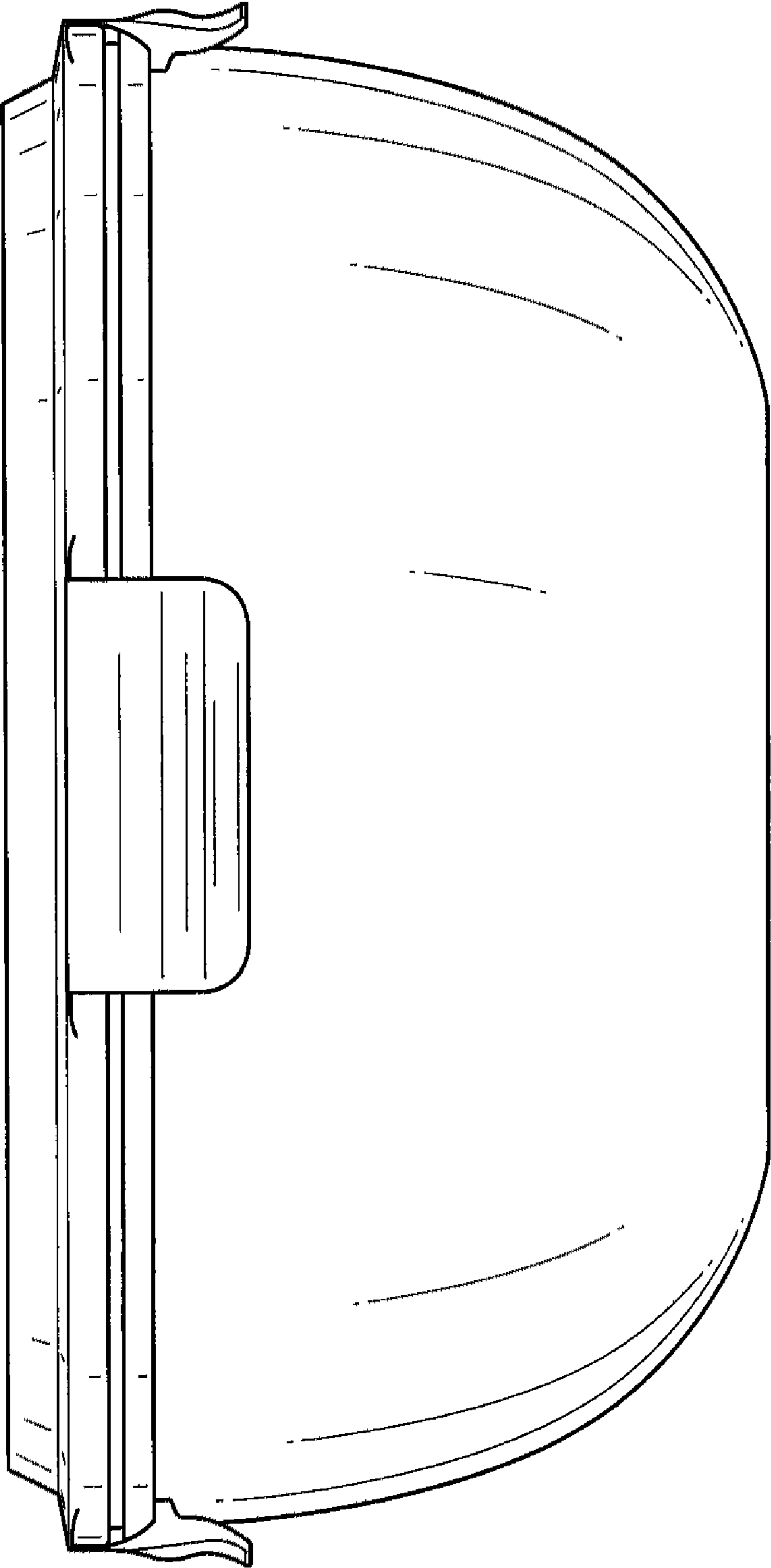


FIG. 5

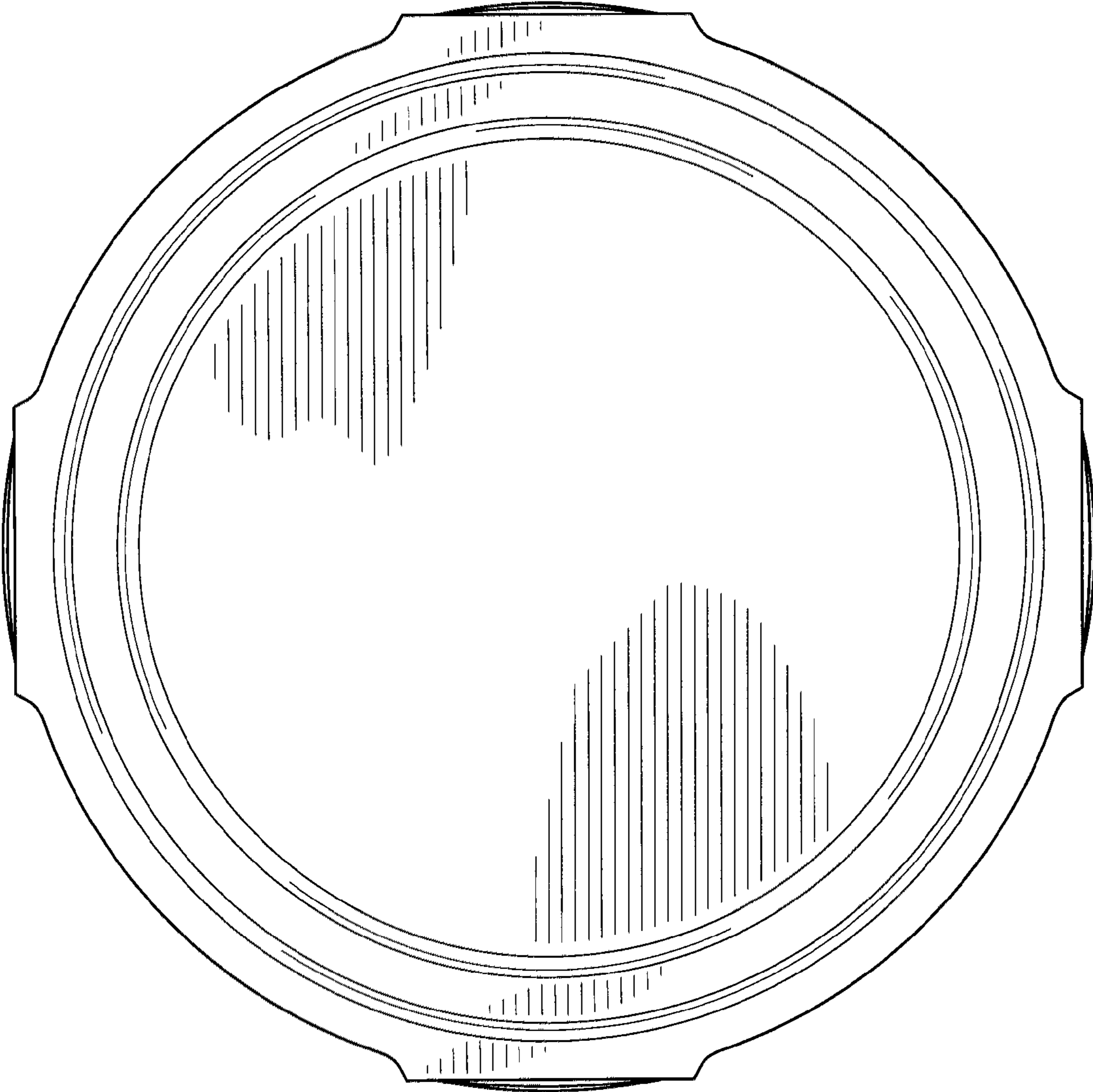


FIG. 6

FIG. 7

