



US00D660092S

(12) **United States Design Patent**  
**Kyung**

(10) **Patent No.:** **US D660,092 S**

(45) **Date of Patent:** **\*\* May 22, 2012**

(54) **FOOD CONTAINER**

(75) Inventor: **Kim Deok Kyung**, Seoul (KR)

(73) Assignee: **Sam Kwang Glass Co., Ltd.**, Seoul (KR)

(\*\*) Term: **14 Years**

(21) Appl. No.: **29/399,597**

(22) Filed: **Aug. 16, 2011**

(30) **Foreign Application Priority Data**

Feb. 16, 2011 (KR) ..... 30-2011-0005968

(51) **LOC (9) Cl.** ..... **07-07**

(52) **U.S. Cl.** ..... **D7/629**

(58) **Field of Classification Search** ..... D7/601,  
D7/602, 629, 630, 538-542, 612-615, 584,  
D7/586, 587; D9/424-432; D3/273; 229/107,  
229/406, 120, 125.17; 220/669-673, 675,  
220/574-575, 573.1, 660, 326, 236, 780-806,  
220/4.21, 4.24, 288, 260

See application file for complete search history.

(56) **References Cited**

**U.S. PATENT DOCUMENTS**

6,415,947 B1 \* 7/2002 Kim ..... 220/788  
D481,910 S \* 11/2003 Kim ..... D7/629

6,793,096 B1 \* 9/2004 Seok ..... 220/788  
D544,762 S \* 6/2007 Zimmerman ..... D7/629  
D618,516 S \* 6/2010 DiPietro et al. .... D7/629  
2004/0084464 A1 \* 5/2004 Koo ..... 220/784  
2005/0006390 A1 \* 1/2005 Wang ..... 220/326  
2005/0035125 A1 \* 2/2005 Bae ..... 220/326

\* cited by examiner

*Primary Examiner* — Terry Wallace

(74) *Attorney, Agent, or Firm* — Honigman Miller Schwartz  
and Cohn LLP

(57) **CLAIM**

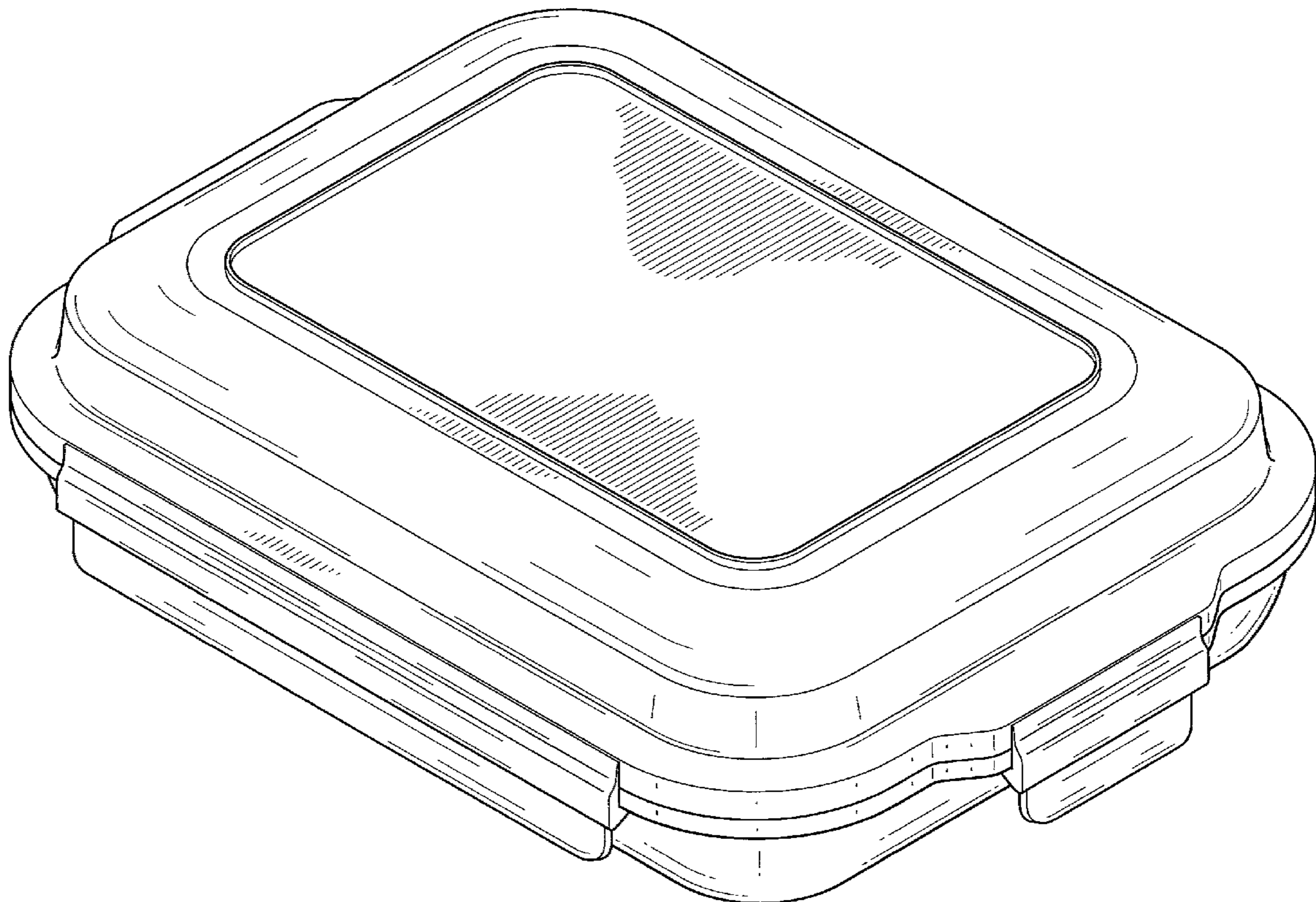
The ornamental design for a food container, as shown and  
described.

**DESCRIPTION**

FIG. 1 is a front perspective view of an embodiment of a food  
container according to the new design;  
FIG. 2 is a front view of the food container shown in FIG. 1;  
FIG. 3 is a back view of the food container shown in FIG. 1;  
FIG. 4 is a right view of the food container shown in FIG. 1;  
FIG. 5 is a left view of the food container shown in FIG. 1;  
FIG. 6 is a top view of the food container shown in FIG. 1;  
and,  
FIG. 7 is a bottom view of the food container shown in FIG.  
1.

The broken lines are for illustrative purposes and form no part  
of the present invention.

**1 Claim, 7 Drawing Sheets**



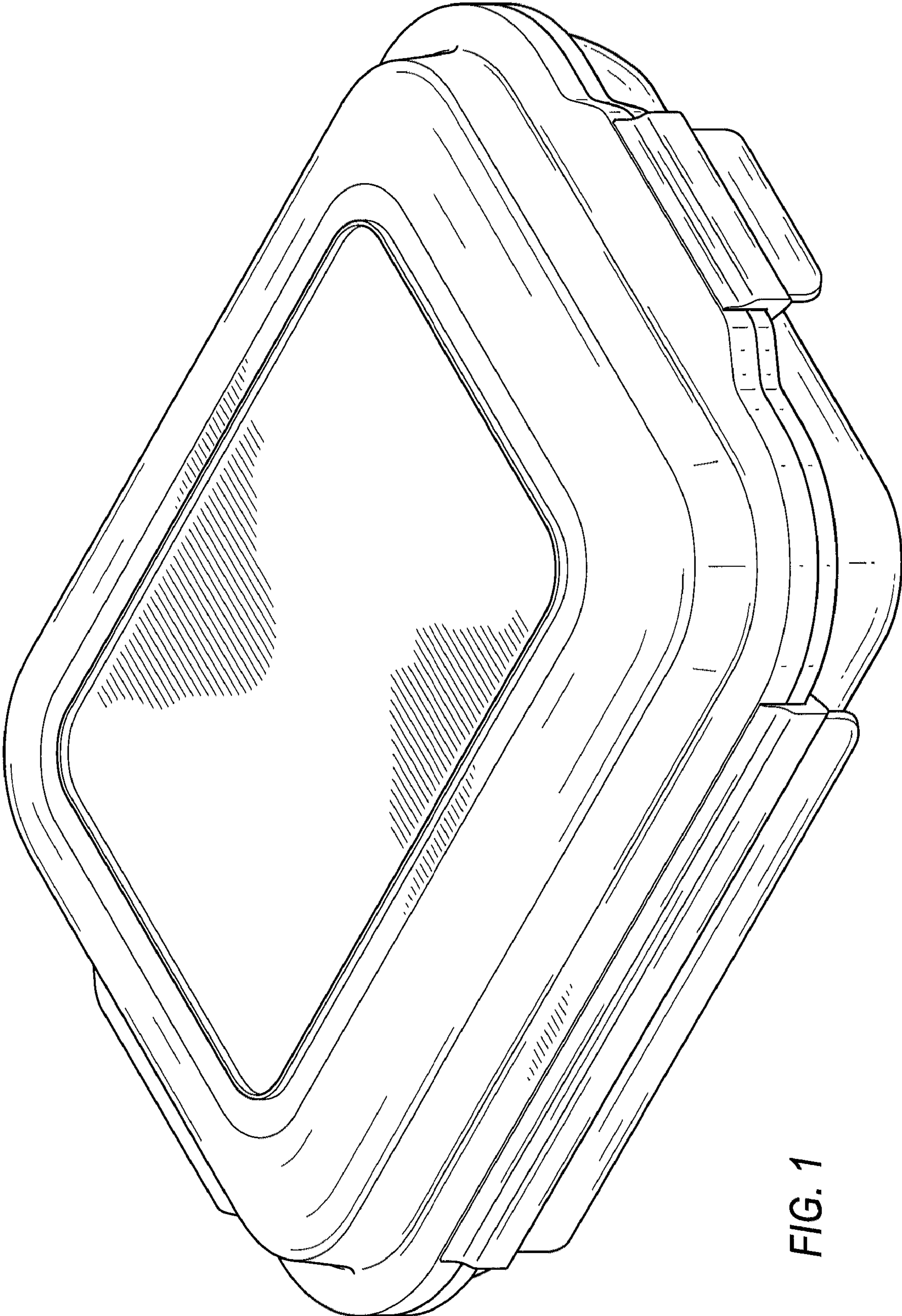


FIG. 1

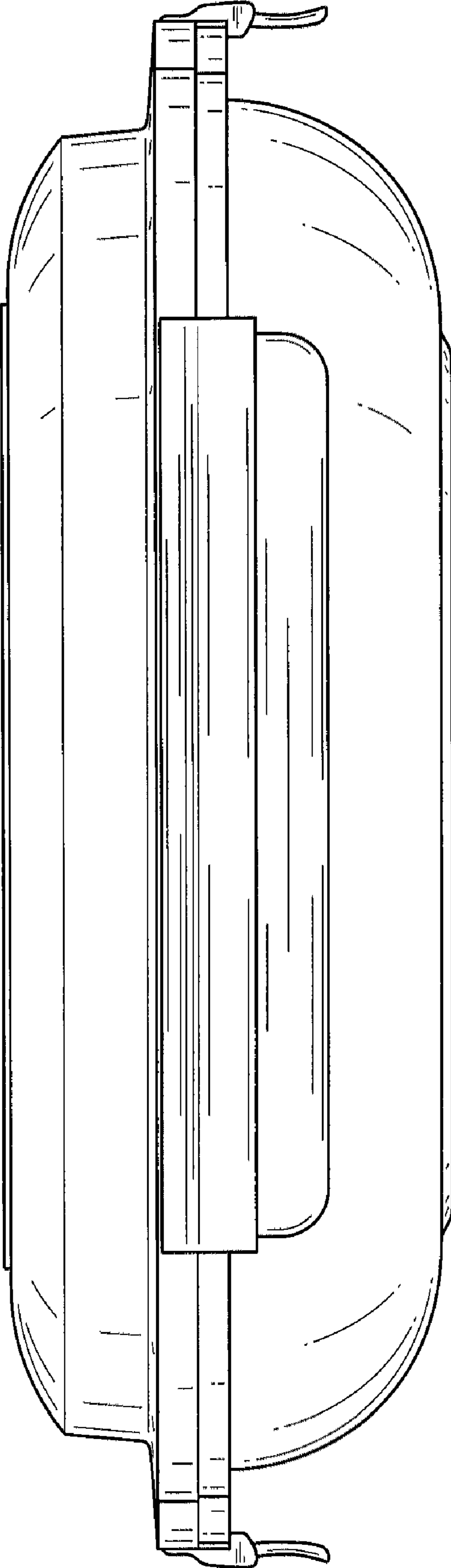


FIG. 2

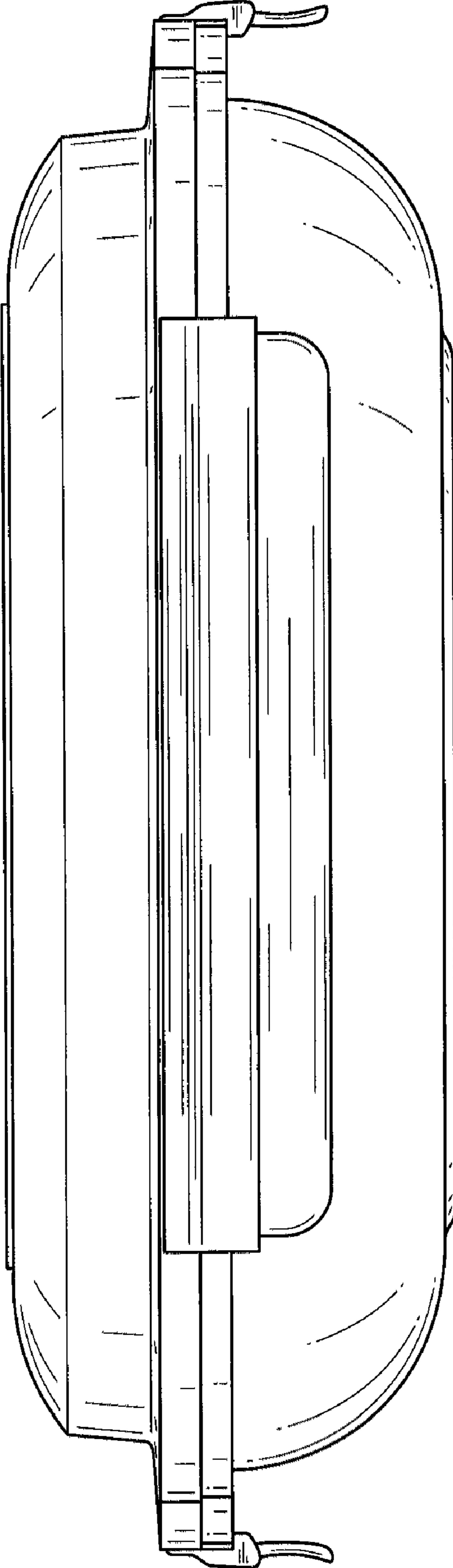


FIG. 3

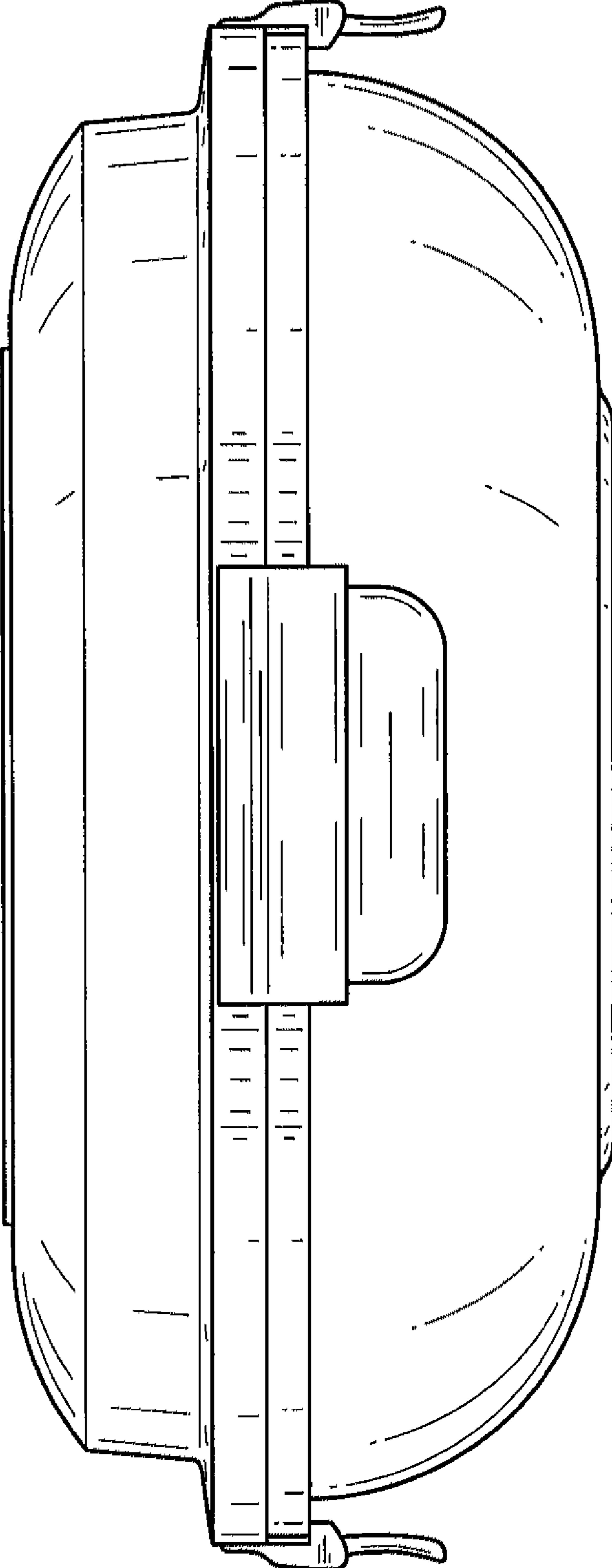


FIG. 4

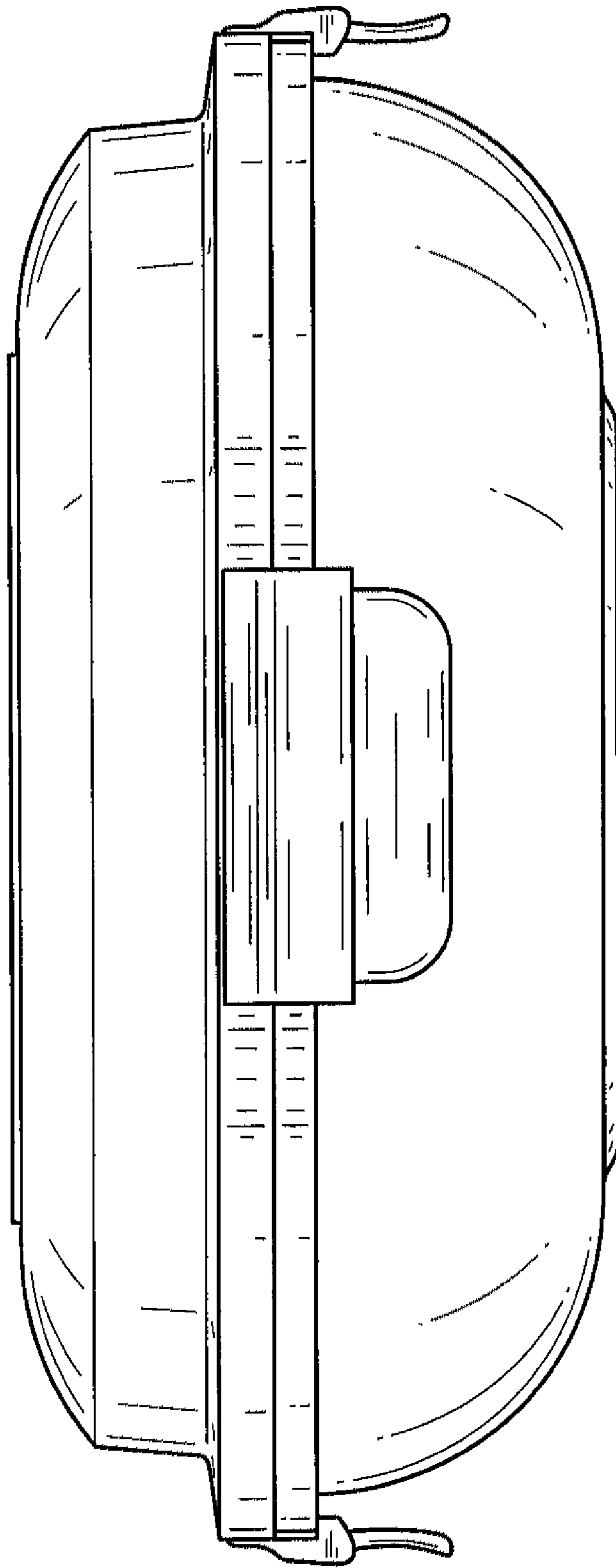


FIG. 5

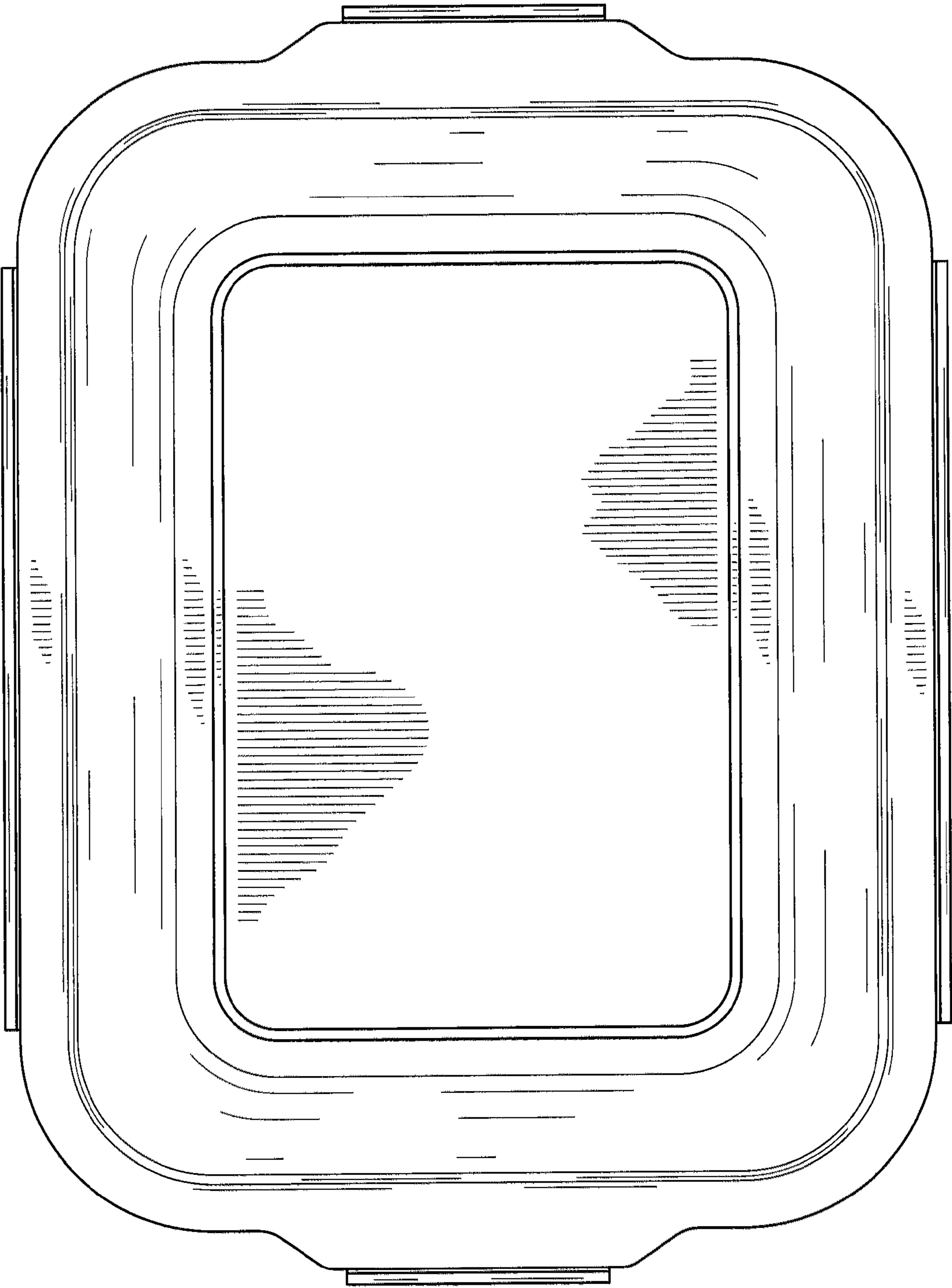


FIG. 6

FIG. 7

