

US00D660091S

(12) **United States Design Patent**  
**Chen**

(10) **Patent No.:** **US D660,091 S**

(45) **Date of Patent:** **\*\* May 22, 2012**

(54) **DOUBLE SEAL FOOD CONTAINER**

(76) Inventor: **Ya-Chien Chen**, Taipei (TW)

(\*\*) Term: **14 Years**

(21) Appl. No.: **29/397,957**

(22) Filed: **Jul. 25, 2011**

(51) **LOC (9) Cl.** ..... **07-07**

(52) **U.S. Cl.** ..... **D7/629**

(58) **Field of Classification Search** ..... D7/601,  
D7/602, 629, 630, 538-542, 612-615, 584,  
D7/586, 587; D9/424-432; D3/273; 229/107,  
229/406, 120, 125.17; 220/669-673, 675,  
220/574-575, 573.1, 660, 326, 236, 780-806,  
220/4.21, 4.24, 288, 260

See application file for complete search history.

(56) **References Cited**

**U.S. PATENT DOCUMENTS**

5,377,860 A \* 1/1995 Littlejohn et al. .... 220/790  
D467,128 S \* 12/2002 Thonis et al. .... D7/602  
D496,272 S \* 9/2004 Jackson et al. .... D9/425

D509,111 S \* 9/2005 Vovan ..... D7/628  
D570,650 S \* 6/2008 Vovan ..... D7/629  
D618,516 S \* 6/2010 DiPietro et al. .... D7/629

\* cited by examiner

*Primary Examiner* — Terry Wallace

(74) *Attorney, Agent, or Firm* — Rosenberg, Klein & Lee

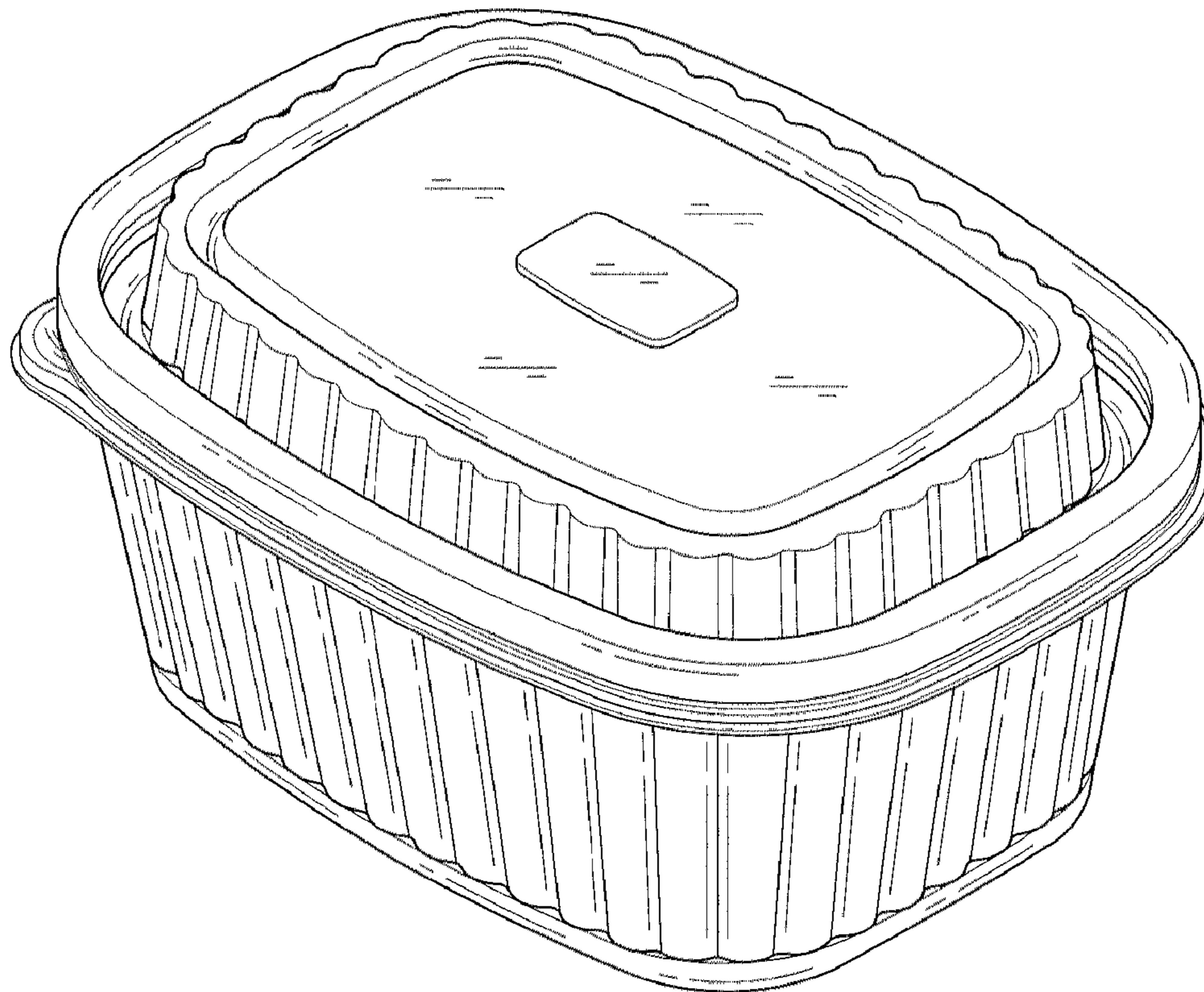
(57) **CLAIM**

The ornamental design for a double seal food container, as shown and described.

**DESCRIPTION**

FIG. 1 is a perspective view of a double seal food container showing my new design;  
FIG. 2 is a front elevational view thereof;  
FIG. 3 is a rear elevational view thereof;  
FIG. 4 is a left side elevational view thereof;  
FIG. 5 is a right side elevational view thereof;  
FIG. 6 is a top plan view thereof;  
FIG. 7 is a bottom plan view thereof; and,  
FIG. 8 is a cross-sectional view of the double seal food container taken along line 8-8 of FIG. 6.

**1 Claim, 5 Drawing Sheets**



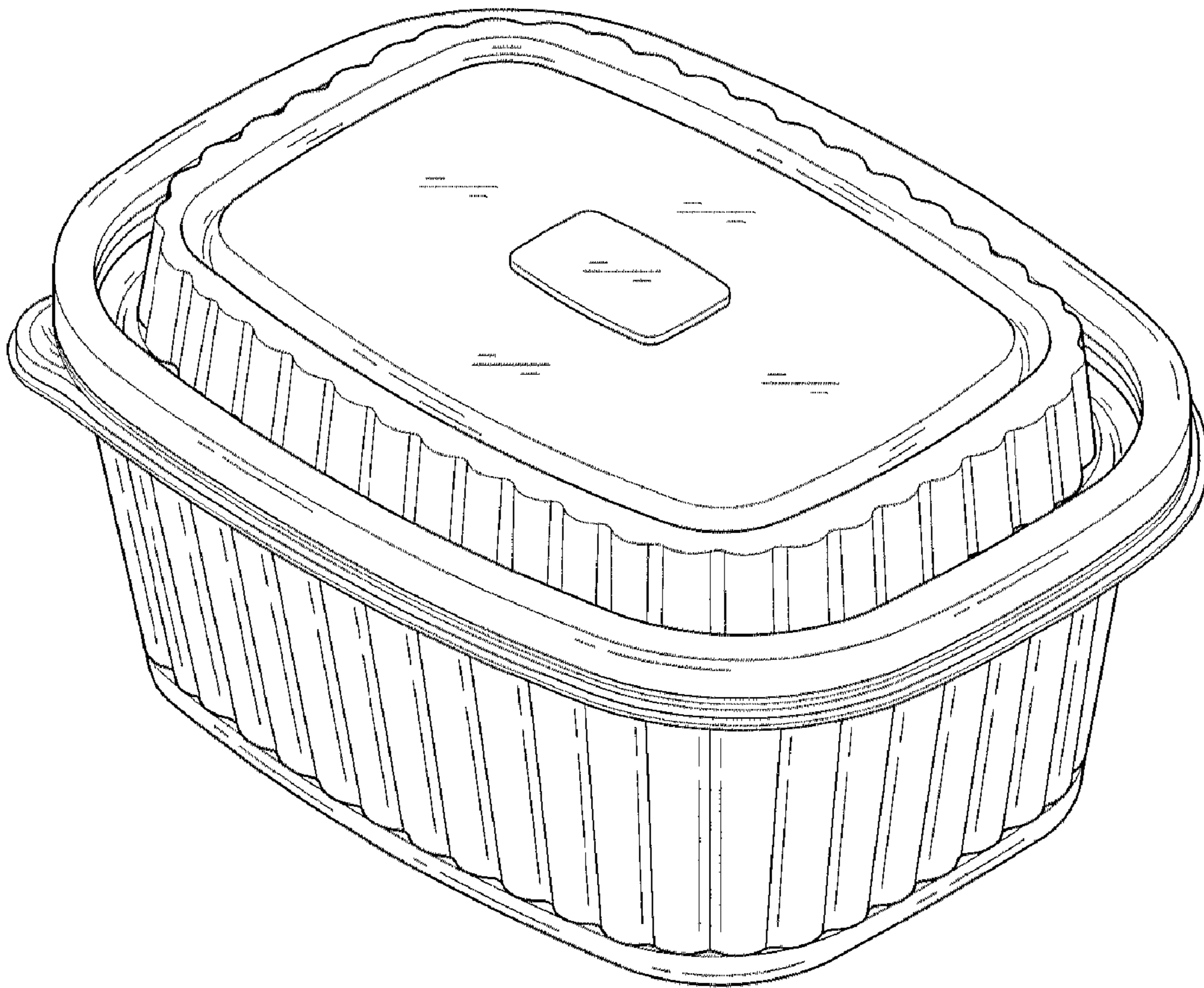


FIG.1

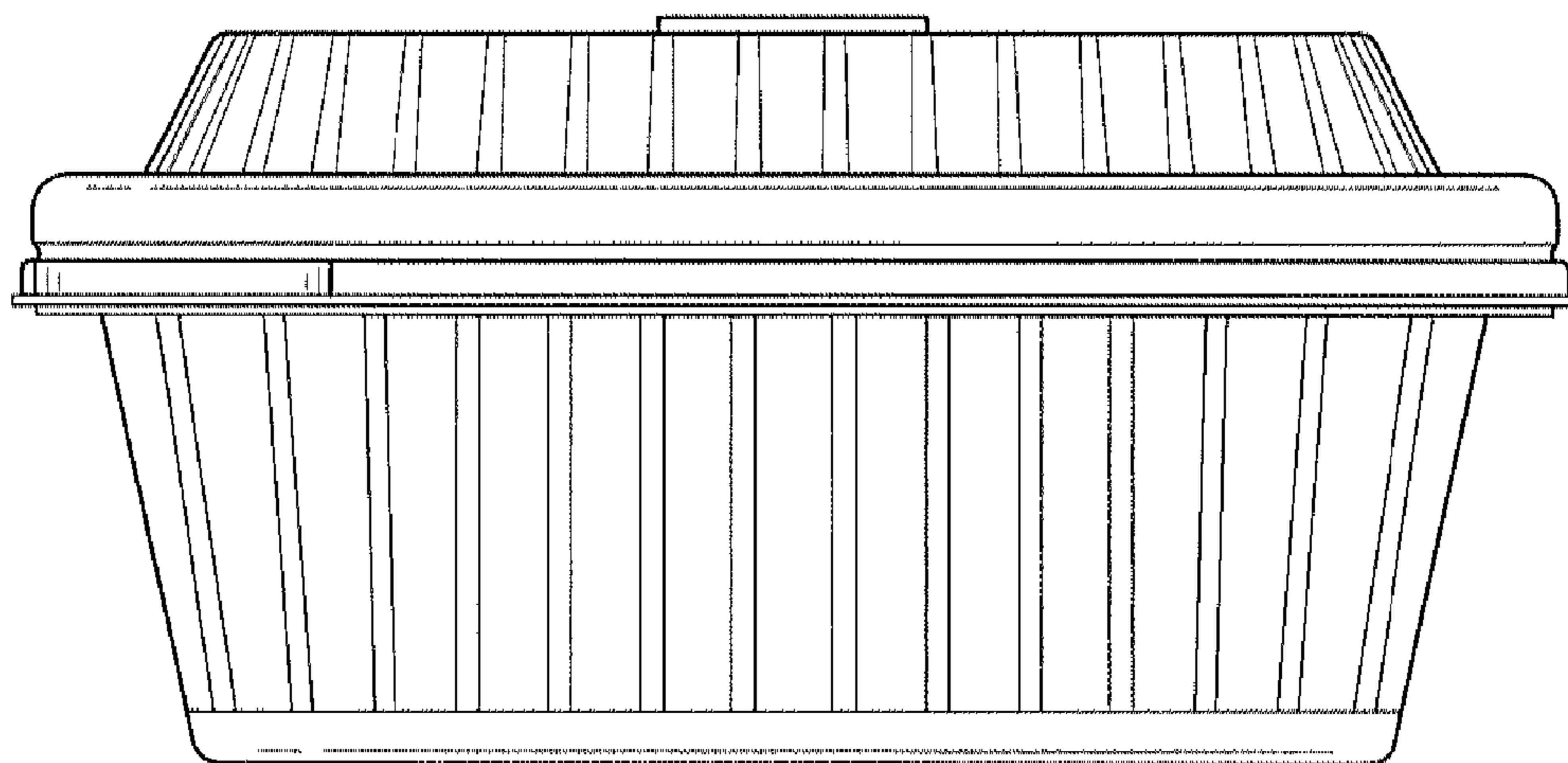


FIG. 2

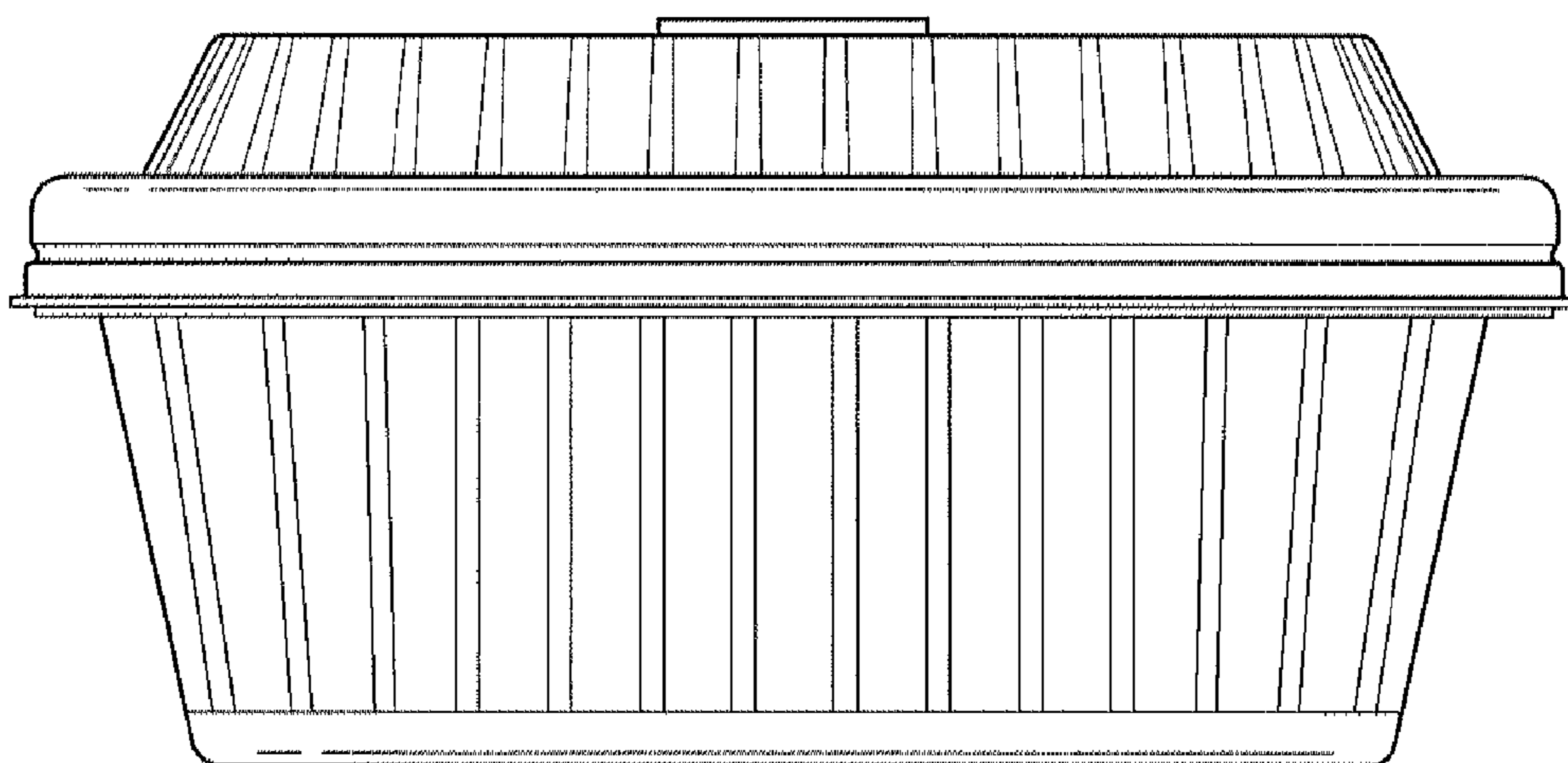


FIG. 3

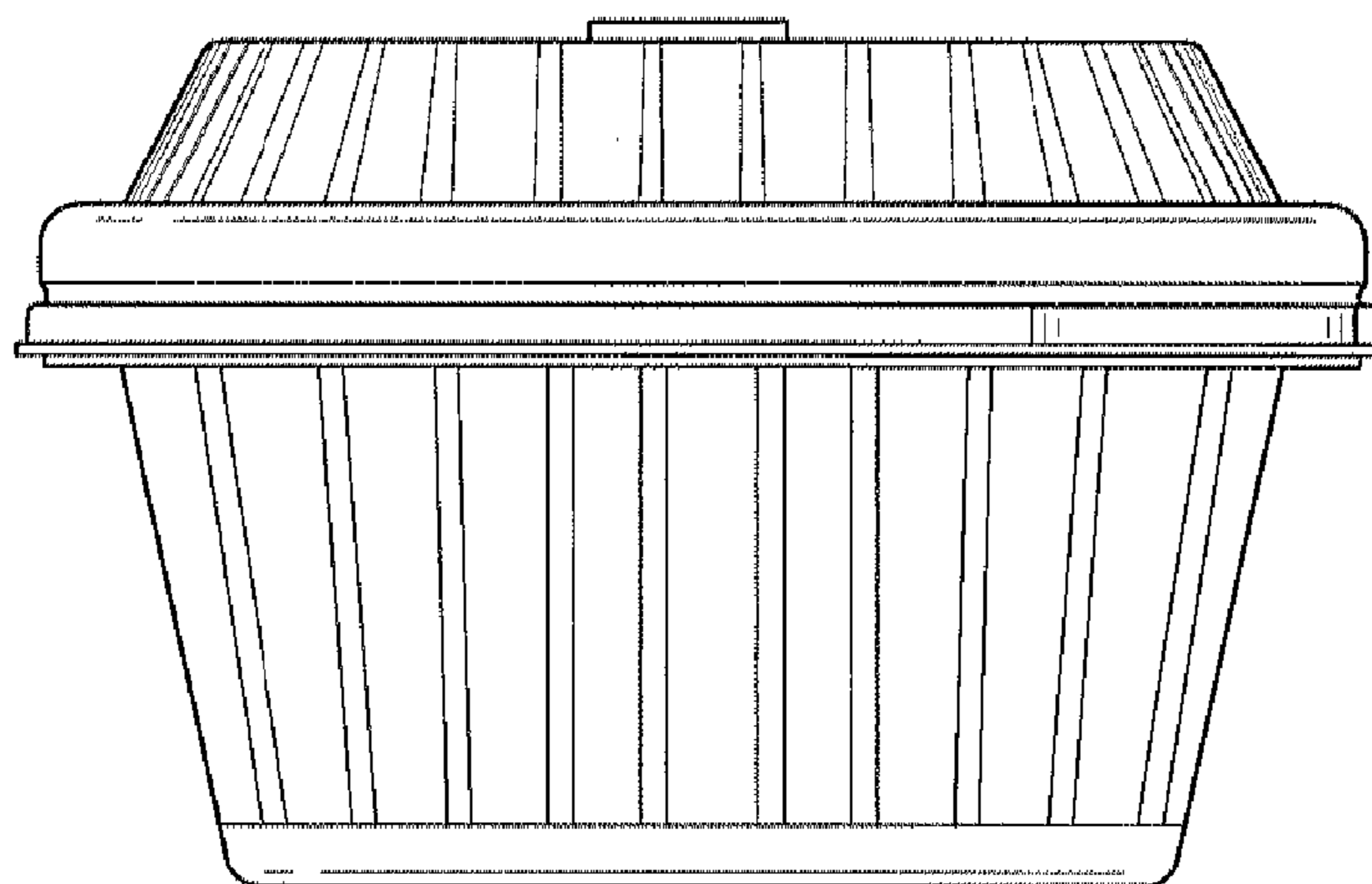


FIG. 4

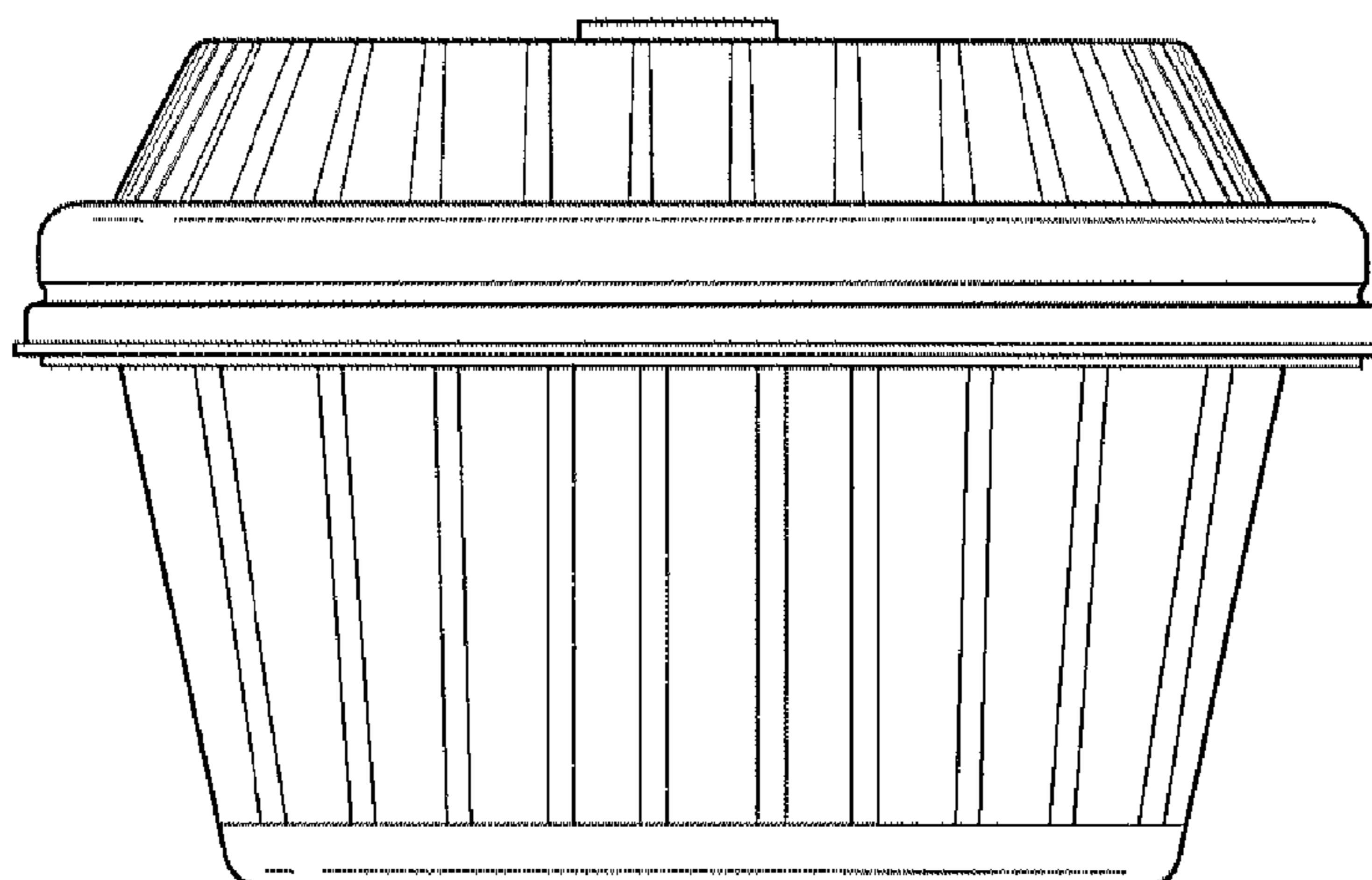


FIG. 5



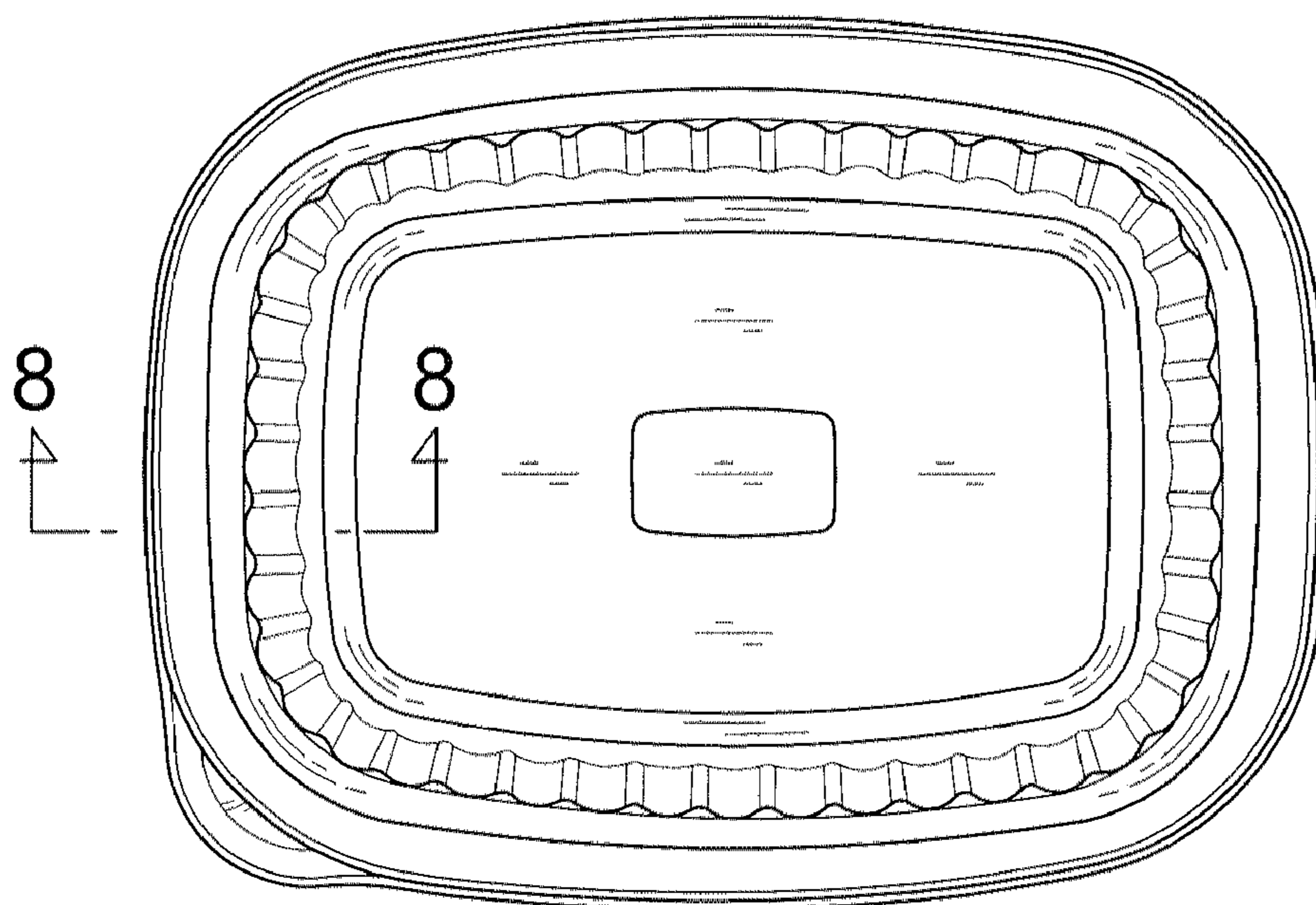


FIG.6

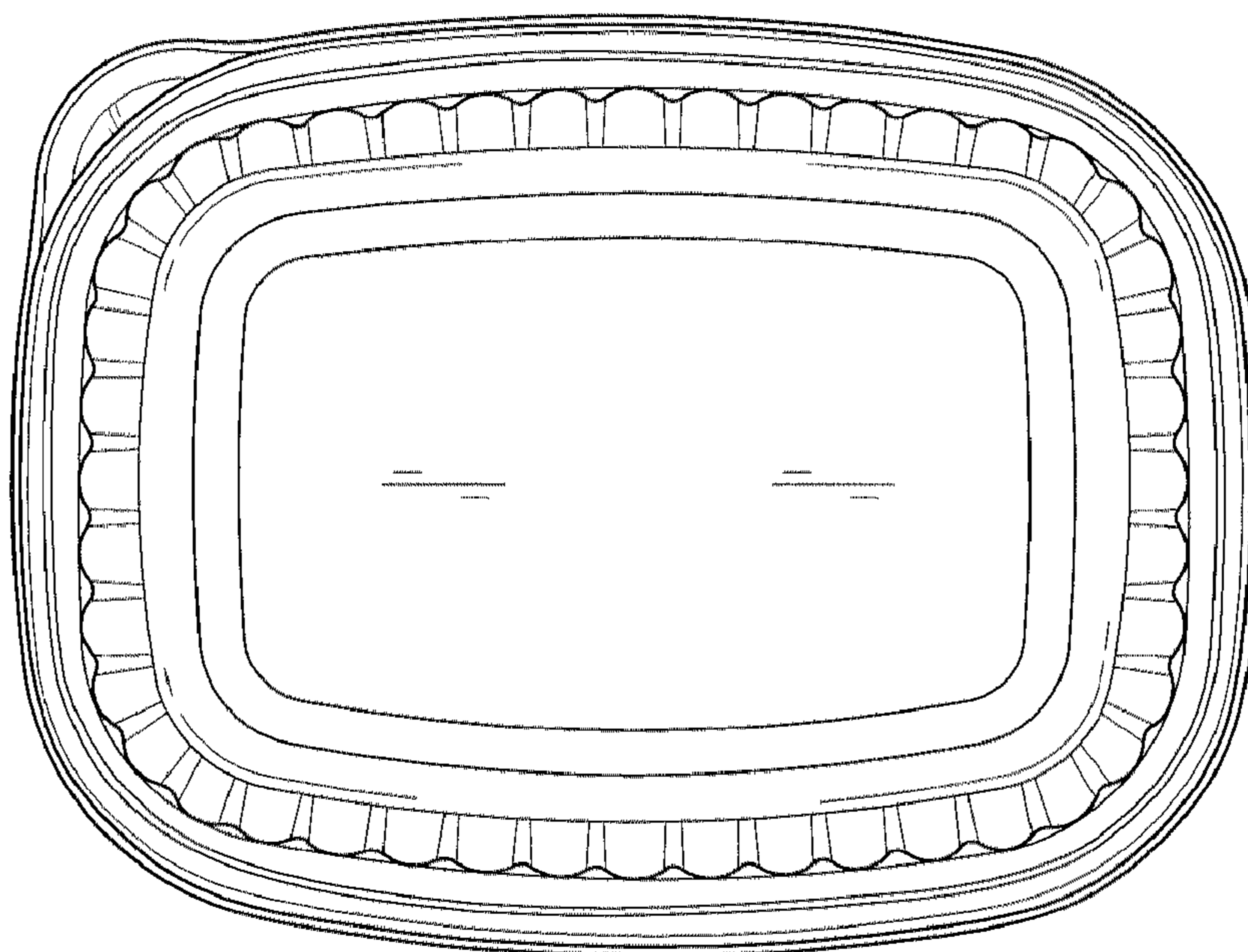


FIG.7

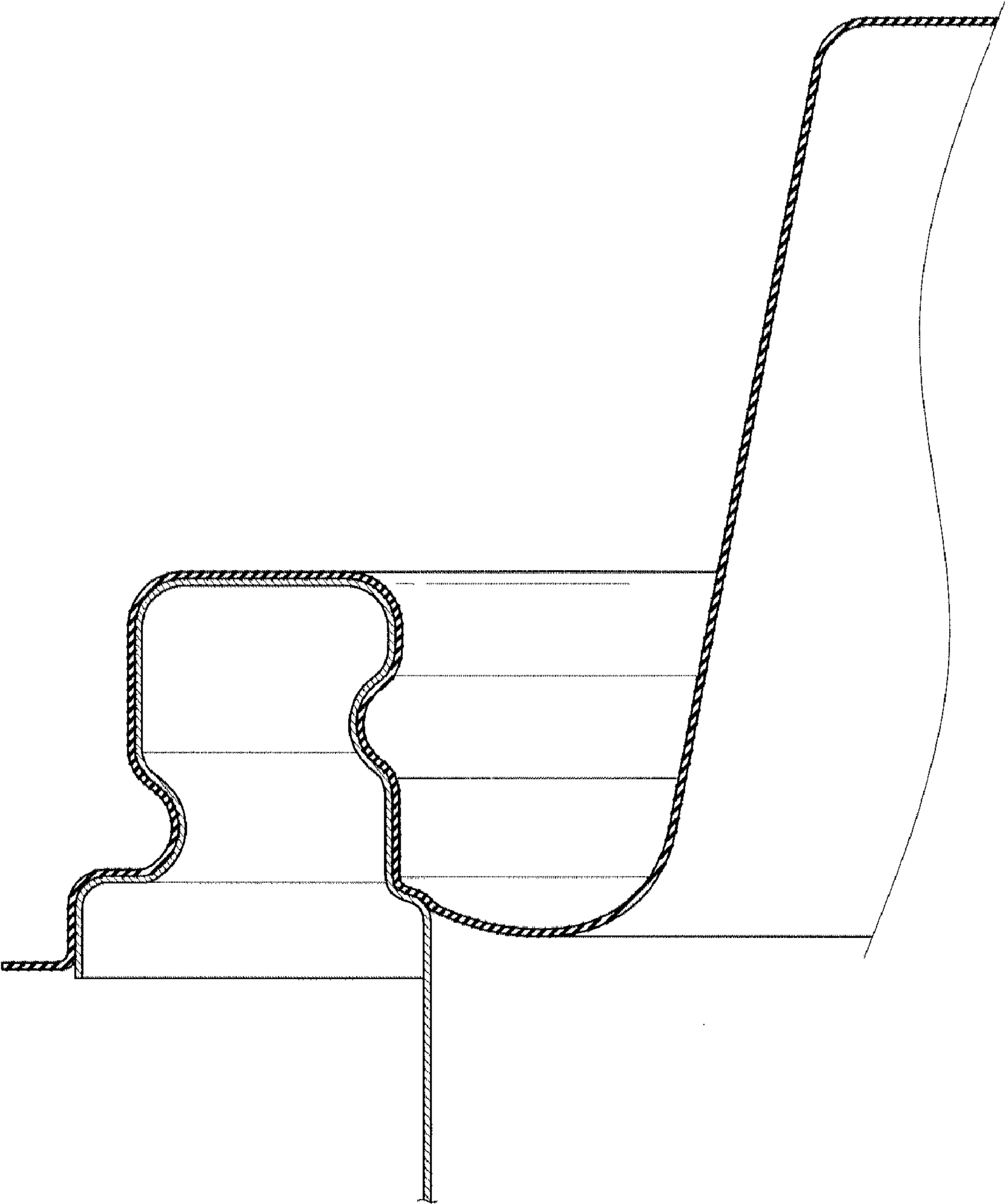


FIG.8