

US00D660083S

(12) **United States Design Patent**
Tyler et al.

(10) **Patent No.:** **US D660,083 S**

(45) **Date of Patent:** **** May 22, 2012**

(54) **BEVERAGE CONTAINER**

(75) Inventors: **Dwayne Tyler**, Warren, PA (US); **Ruth McClellan**, Pittsfield, PA (US); **Robert Sokolski**, Warren, PA (US)

(73) Assignee: **Whirley Industries, Inc.**, Warren, PA (US)

(**) Term: **14 Years**

(21) Appl. No.: **29/391,357**

(22) Filed: **May 6, 2011**

(51) **LOC (9) Cl.** **07-01**

(52) **U.S. Cl.** **D7/510; D7/511; D7/507**

(58) **Field of Classification Search** D7/510,
D7/511, 509, 316, 317, 608, 523, 300.1, 507;
D9/503, 543; 220/592.16, 592.17, 703
See application file for complete search history.

(56) **References Cited**

U.S. PATENT DOCUMENTS

4,448,316	A *	5/1984	Hiroshige	215/388
4,852,762	A *	8/1989	Chou-Sheng	220/709
5,497,901	A *	3/1996	Chen	220/708
5,518,142	A *	5/1996	Lin	220/707

D385,745	S *	11/1997	Valentinitsch	D7/300.1
D401,106	S *	11/1998	Valentinitsch	D7/300.1
D431,410	S *	10/2000	Huang	D7/313
D448,971	S *	10/2001	Hughes	D7/392.1
D625,541	S *	10/2010	Kauer	D7/300.1
D625,560	S *	10/2010	Olson et al.	D7/510
D627,594	S *	11/2010	Boonprasop	D7/392.1

* cited by examiner

Primary Examiner — Marianne Pandozzi

(74) *Attorney, Agent, or Firm* — Buchanan Ingersoll & Rooney PC

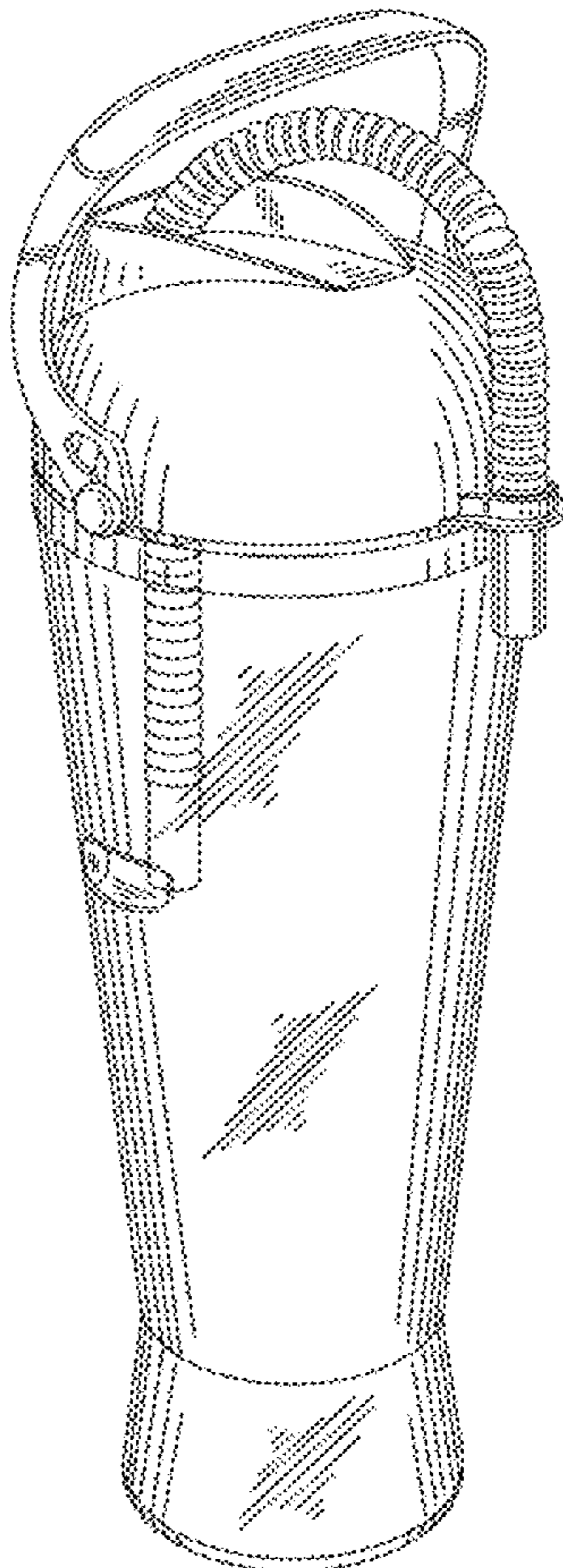
(57) **CLAIM**

The ornamental design for a beverage container, as shown and described.

DESCRIPTION

FIG. 1 is a perspective view of a beverage container showing our new design;
FIG. 2 is a front elevational view thereof;
FIG. 3 is a rear elevational view thereof;
FIG. 4 is a top plan view thereof;
FIG. 5 is a bottom plan view thereof;
FIG. 6 is a left side elevational view thereof; and,
FIG. 7 is a right side elevational view thereof.

1 Claim, 6 Drawing Sheets



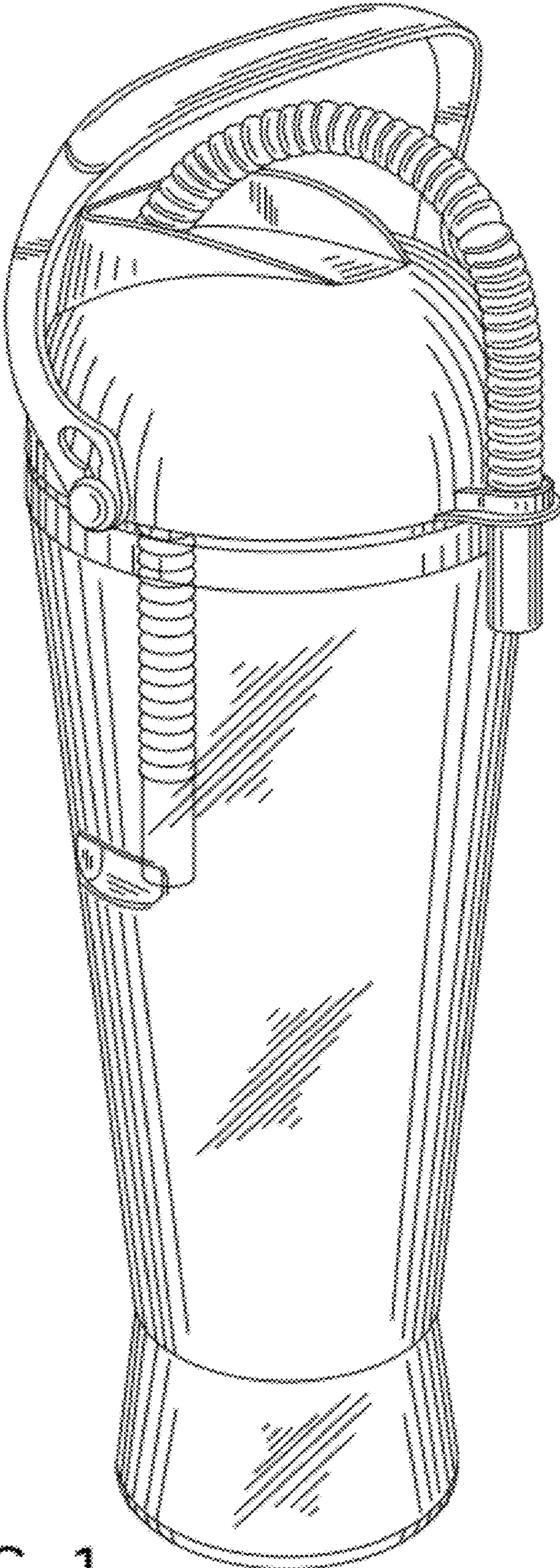


FIG. 1

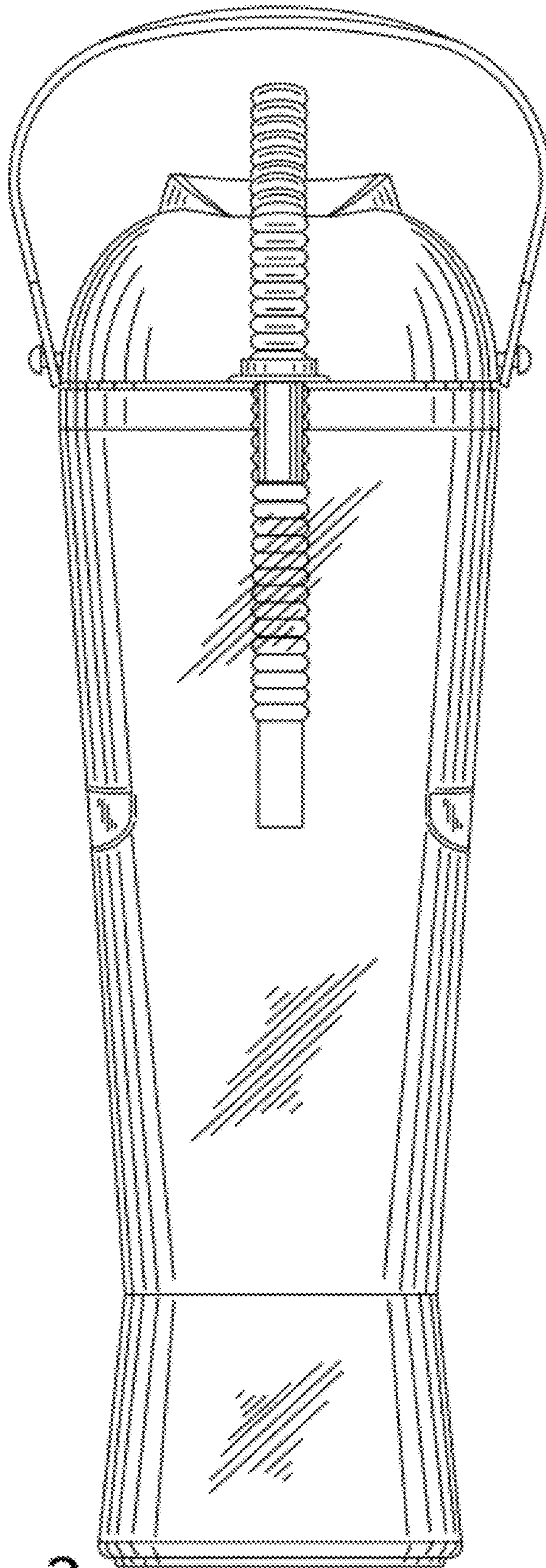


FIG. 2

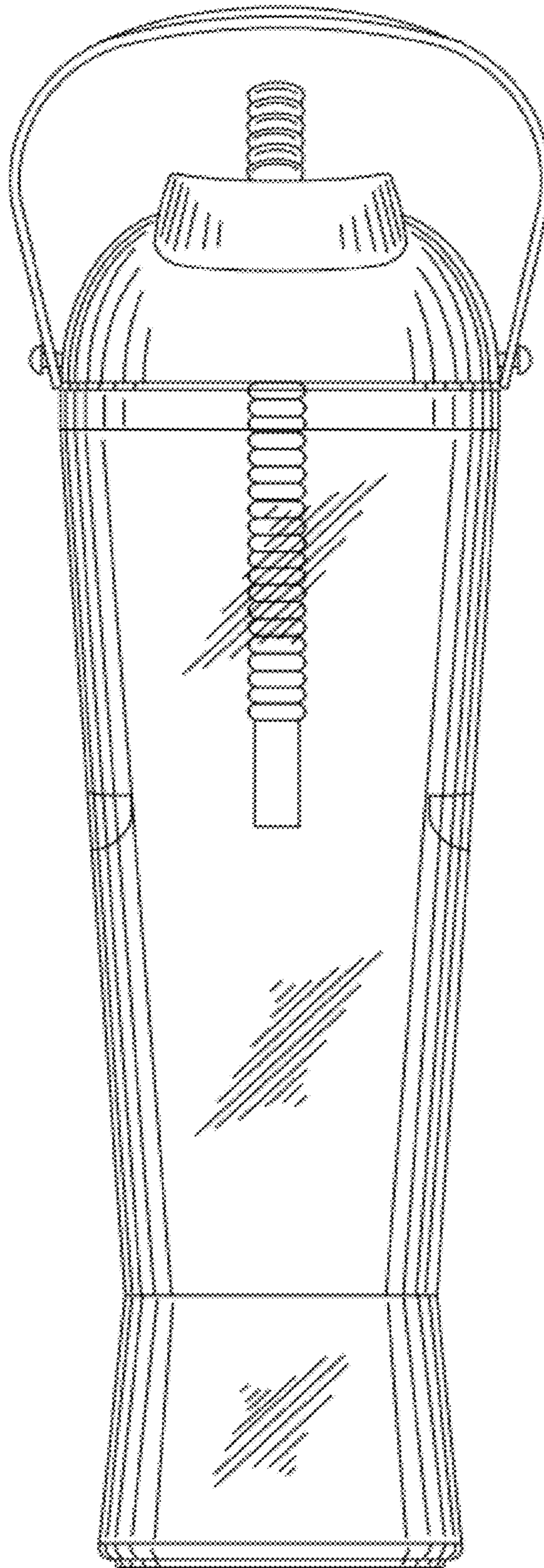


FIG. 3

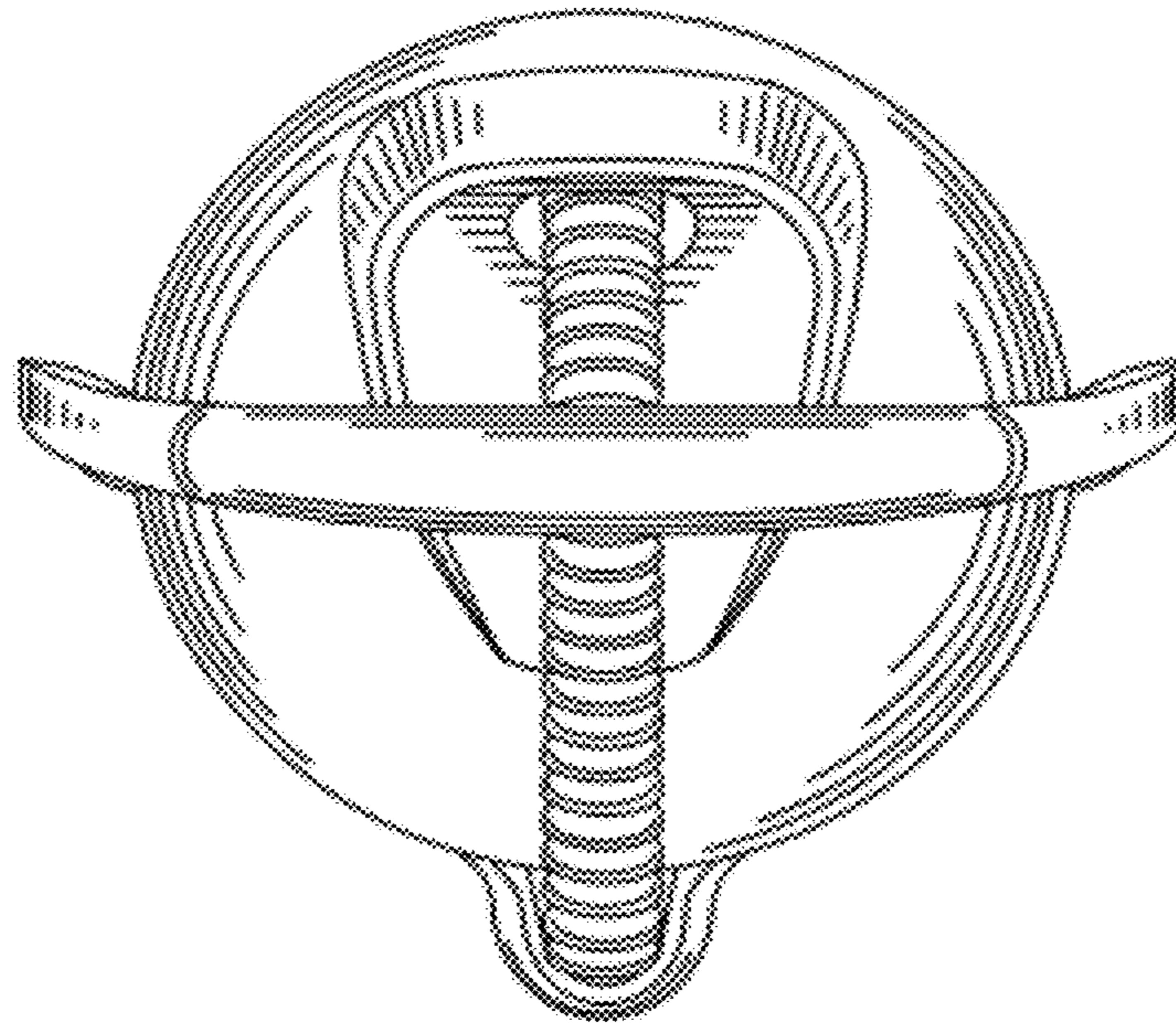


FIG. 4

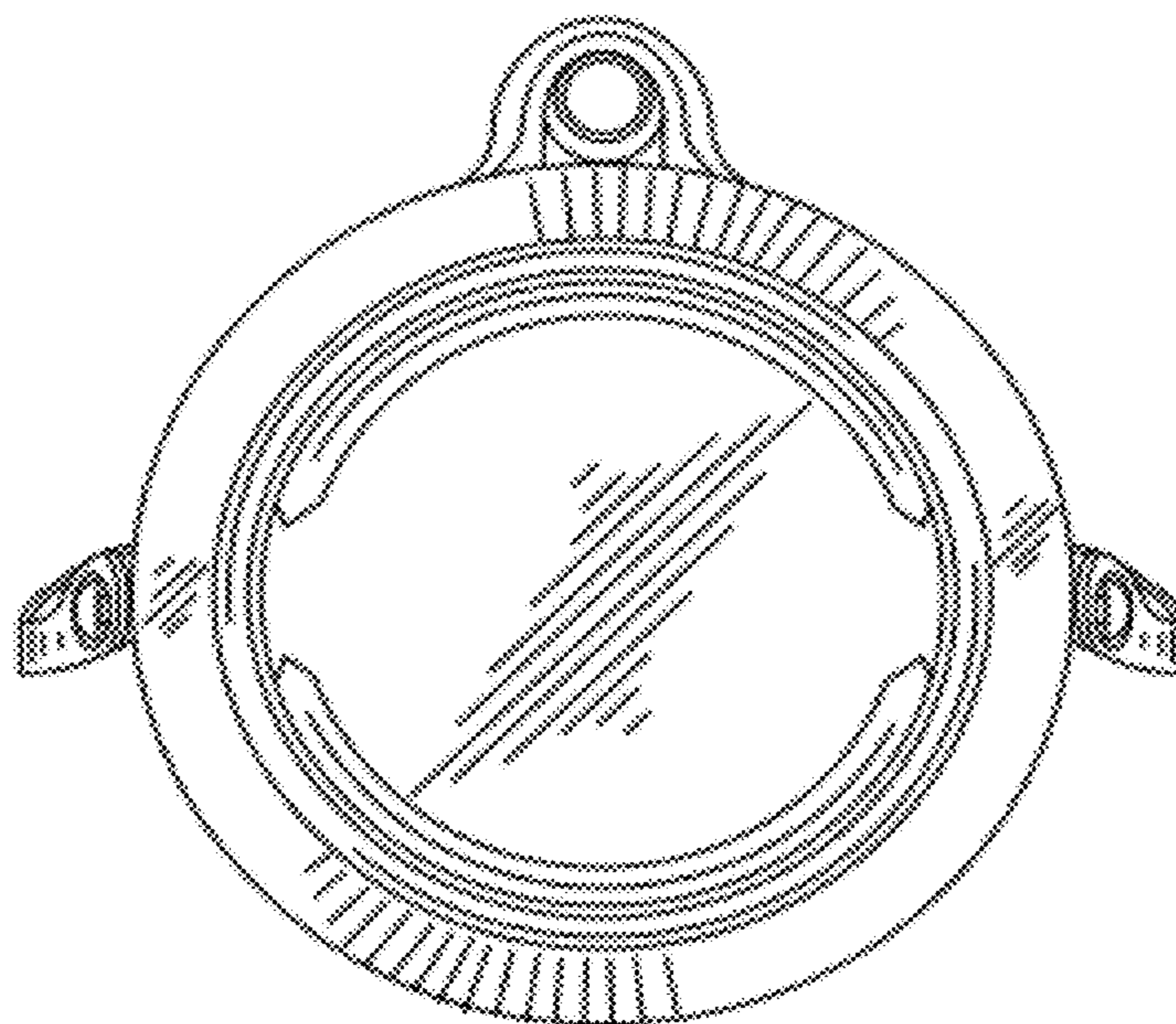


FIG. 5

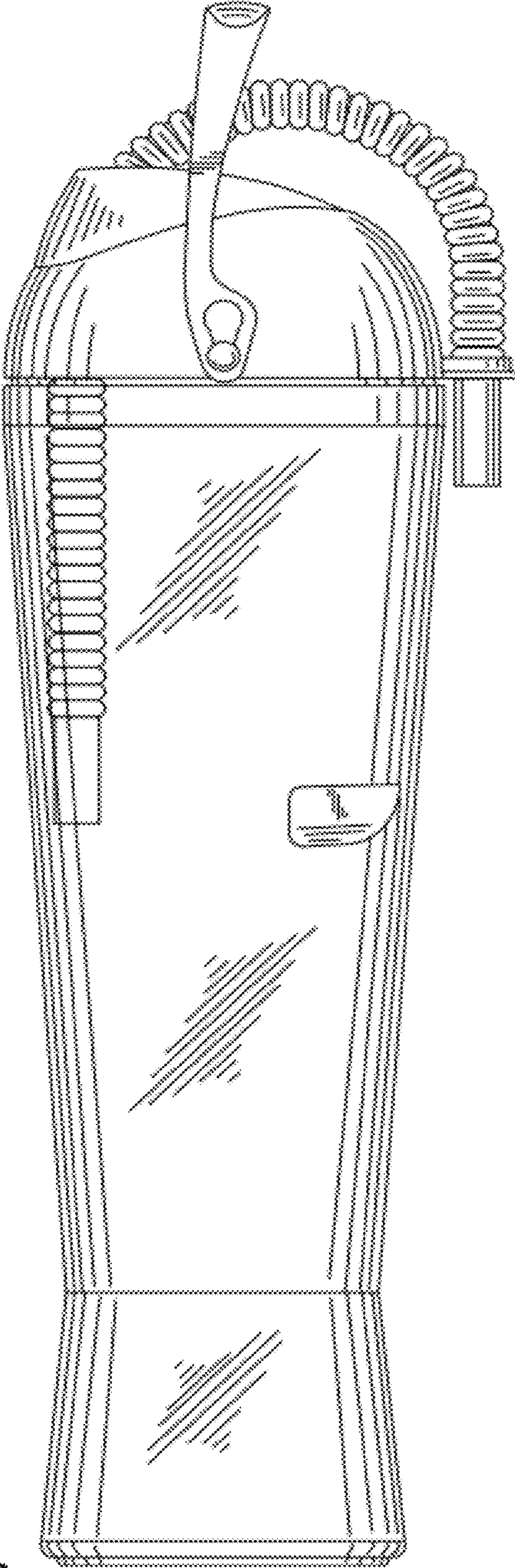


FIG. 6

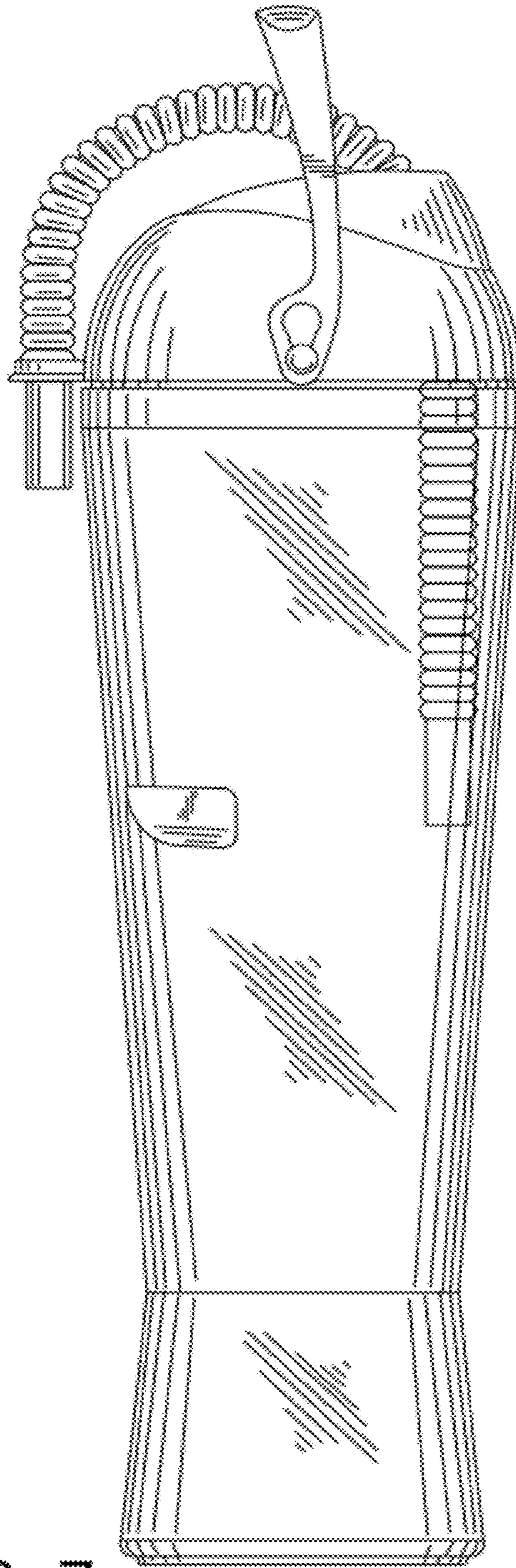


FIG. 7