

US00D660082S

(12) **United States Design Patent**
Wahl

(10) **Patent No.:** **US D660,082 S**

(45) **Date of Patent:** **** May 22, 2012**

(54) **BEVERAGE CONTAINER**

(75) **Inventor:** **Andrew C. F. Wahl**, Seattle, WA (US)

(73) **Assignee:** **Pacific Market International, LLC**,
Seattle, WA (US)

(**) **Term:** **14 Years**

(21) **Appl. No.:** **29/381,388**

(22) **Filed:** **Dec. 17, 2010**

(51) **LOC (9) Cl.** **07-01**

(52) **U.S. Cl.** **D7/510; D7/511; D7/523; D7/536**

(58) **Field of Classification Search** **D7/510,**
D7/511, 608, 536, 523; 215/13.1; 206/217;
220/709, 713

See application file for complete search history.

(56) **References Cited**

U.S. PATENT DOCUMENTS

D346,801 S *	5/1994	Traina	D14/189
D512,574 S *	12/2005	Tsai	D6/366
D537,676 S *	3/2007	Kingsley	D7/510
D561,590 S *	2/2008	Kingsley	D9/500
D596,458 S *	7/2009	McKinney	D7/510
D601,311 S *	9/2009	DeSeguirant, Jr.	D30/160

D609,969 S *	2/2010	McKinney	D7/510
D621,666 S *	8/2010	Wahl	D7/608
D644,489 S *	9/2011	Trombly	D7/510
D651,044 S *	12/2011	Gilbert	D7/510
2009/0236341 A1 *	9/2009	Mckinney et al.	220/375

* cited by examiner

Primary Examiner — Marianne Pandozzi

(74) *Attorney, Agent, or Firm* — Davis Wright Tremaine
LLP; George C. Rondeau, Jr.

(57) **CLAIM**

The ornamental design for a beverage container, as shown and described.

DESCRIPTION

FIG. 1 is a top left side perspective view of a beverage container showing my new design.

FIG. 2 is a rear elevational view thereof.

FIG. 3 is a front elevational view thereof.

FIG. 4 is a right side elevational view thereof.

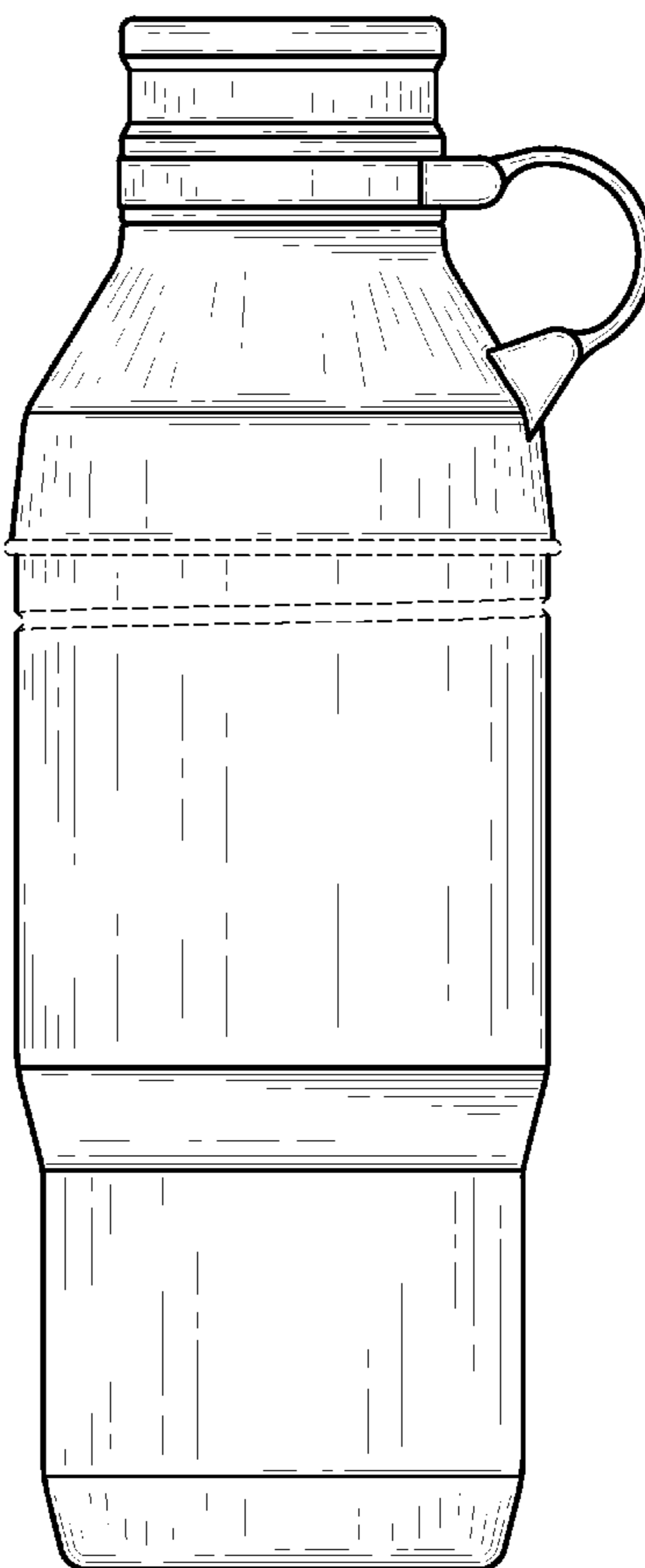
FIG. 5 is a left side elevational view thereof.

FIG. 6 is a top plan view thereof; and,

FIG. 7 is a bottom plan view thereof.

The broken lines represent portions of the beverage container that form no part of the claim.

1 Claim, 4 Drawing Sheets



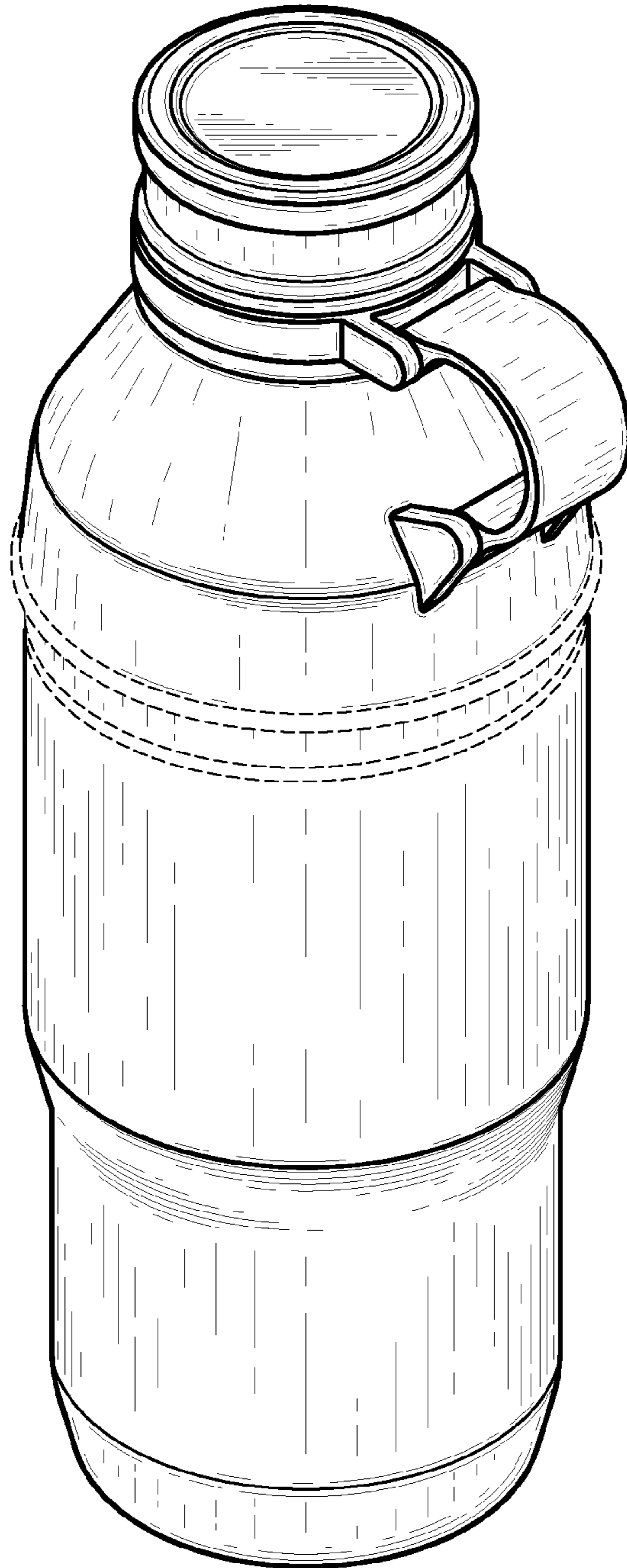


Fig. 1

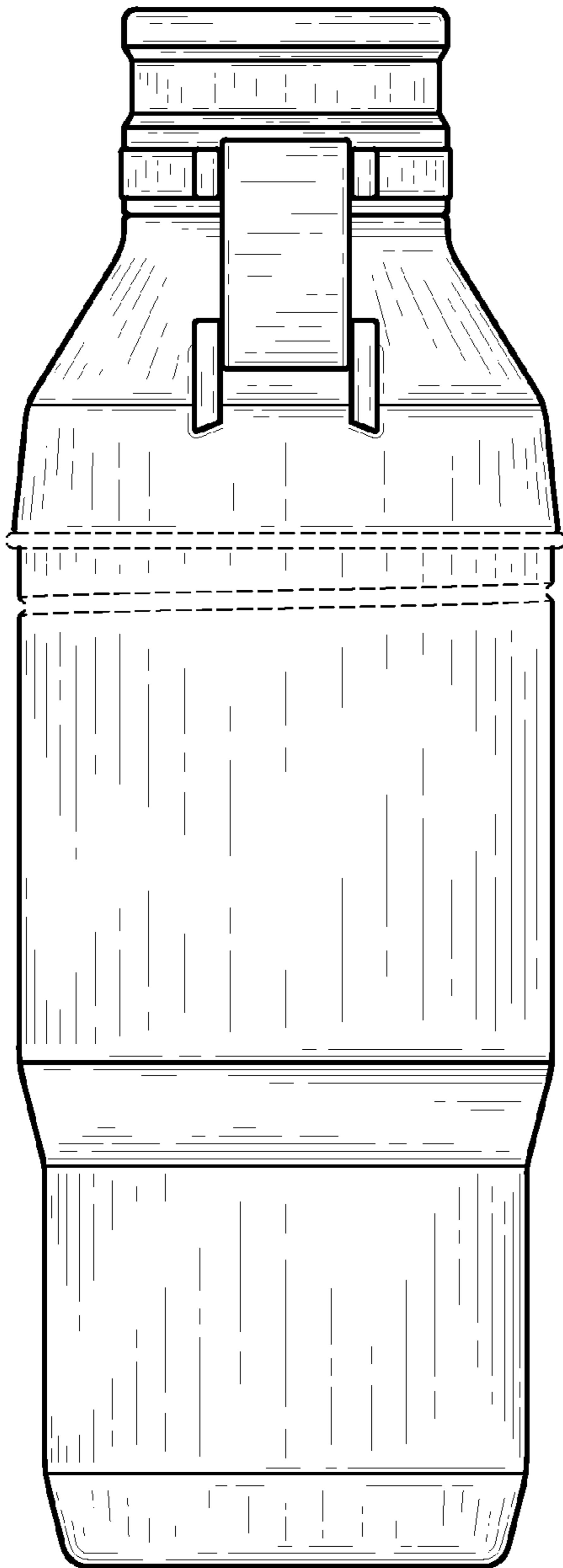


Fig. 2

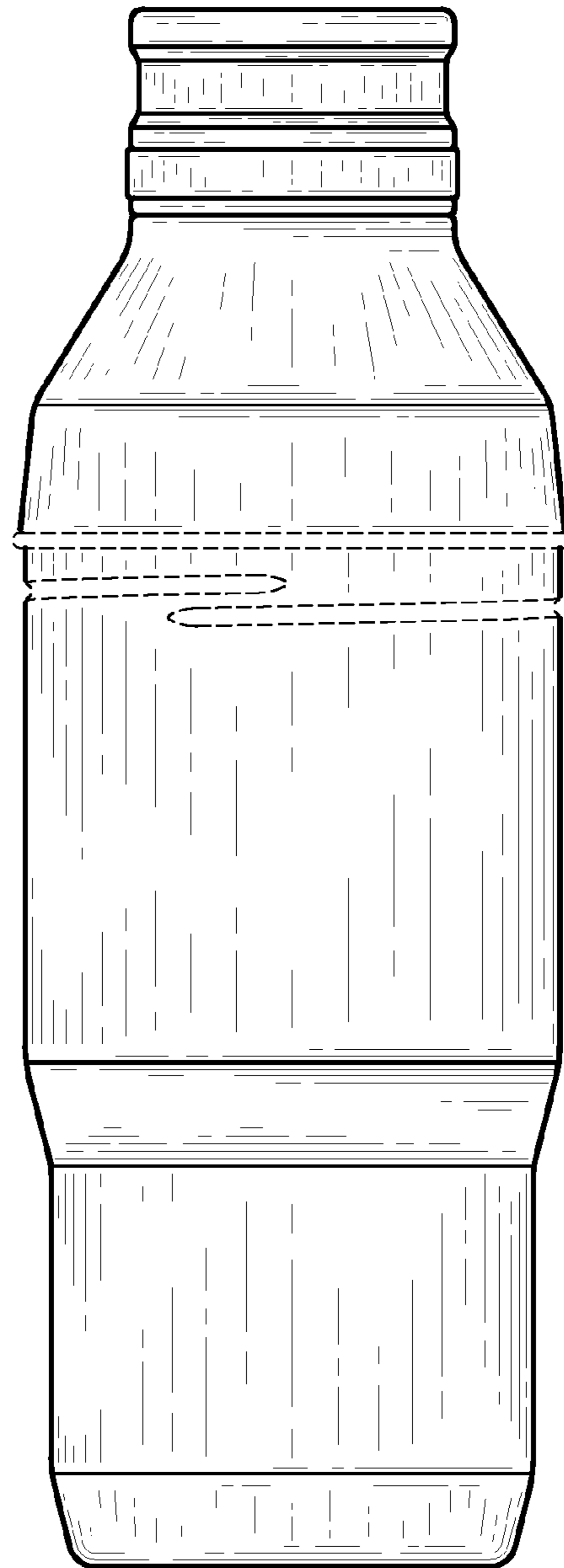


Fig. 3

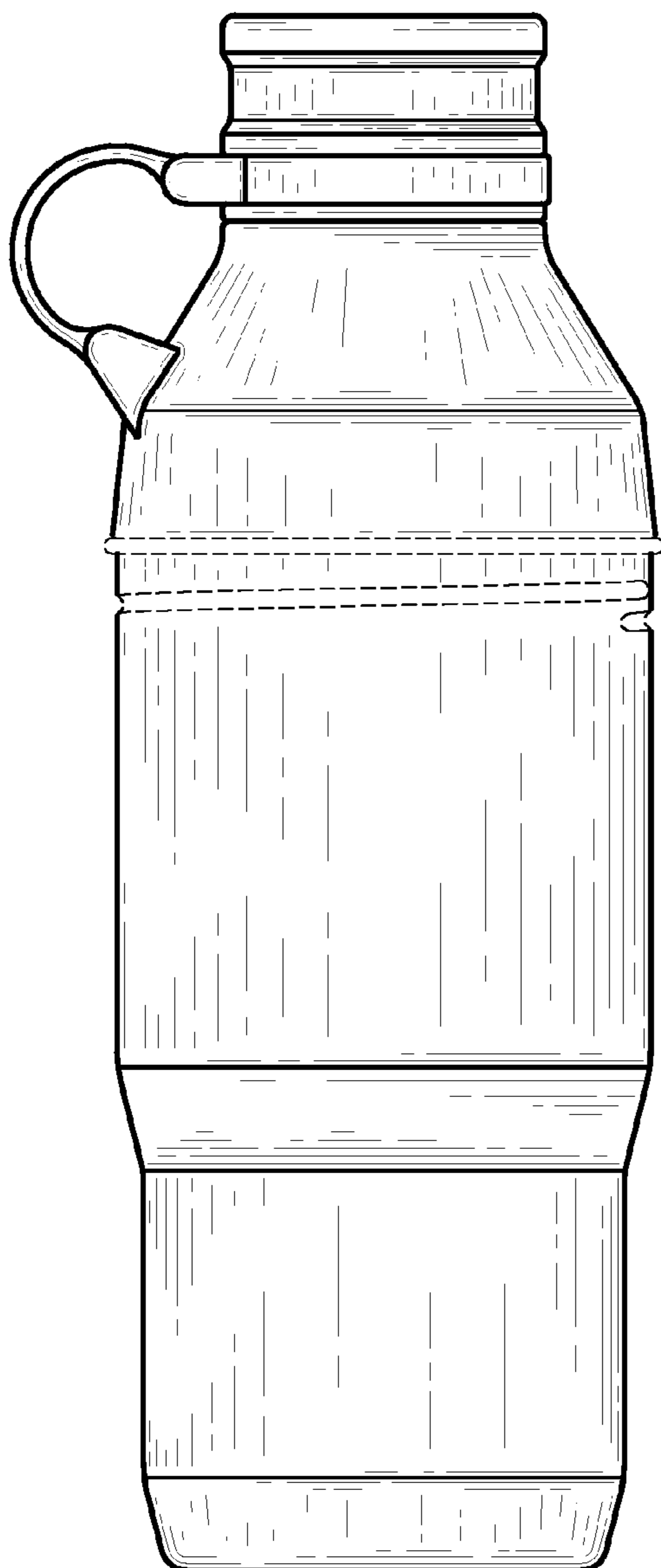


Fig. 4

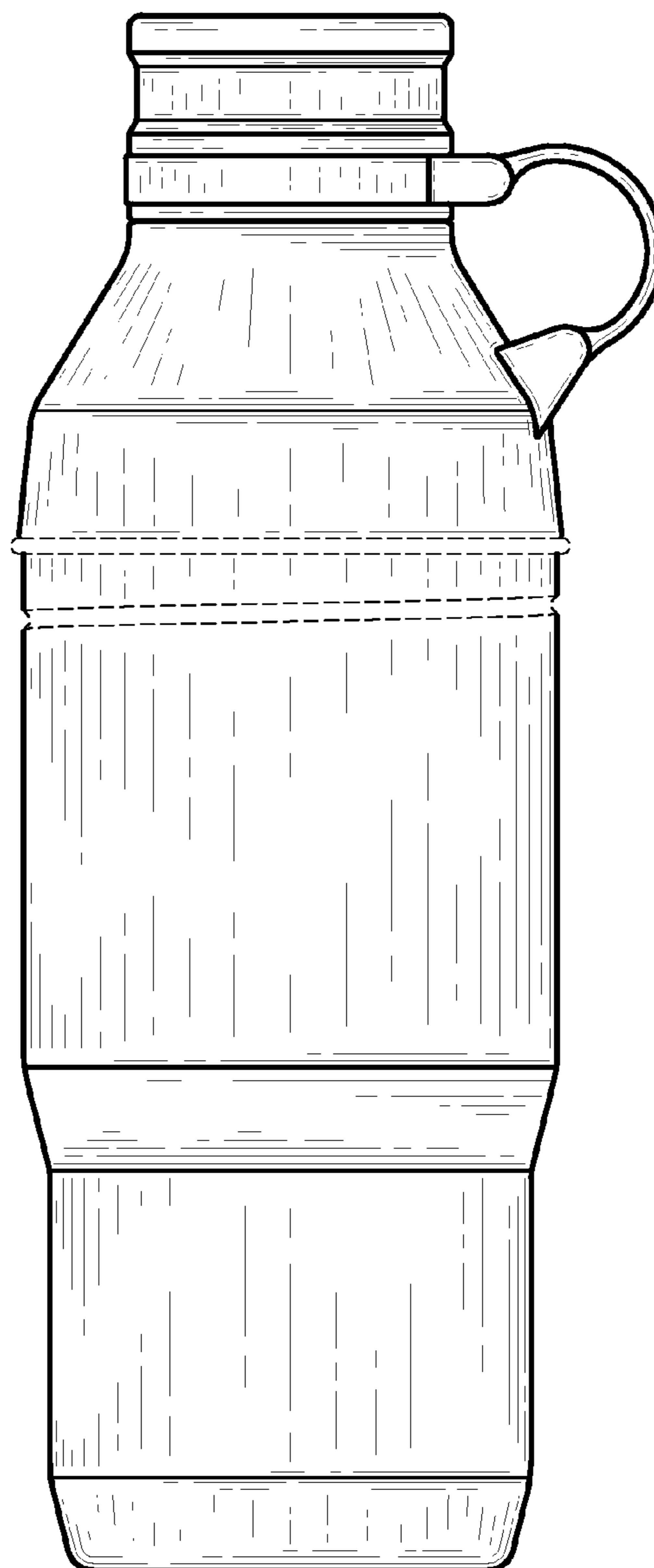


Fig. 5

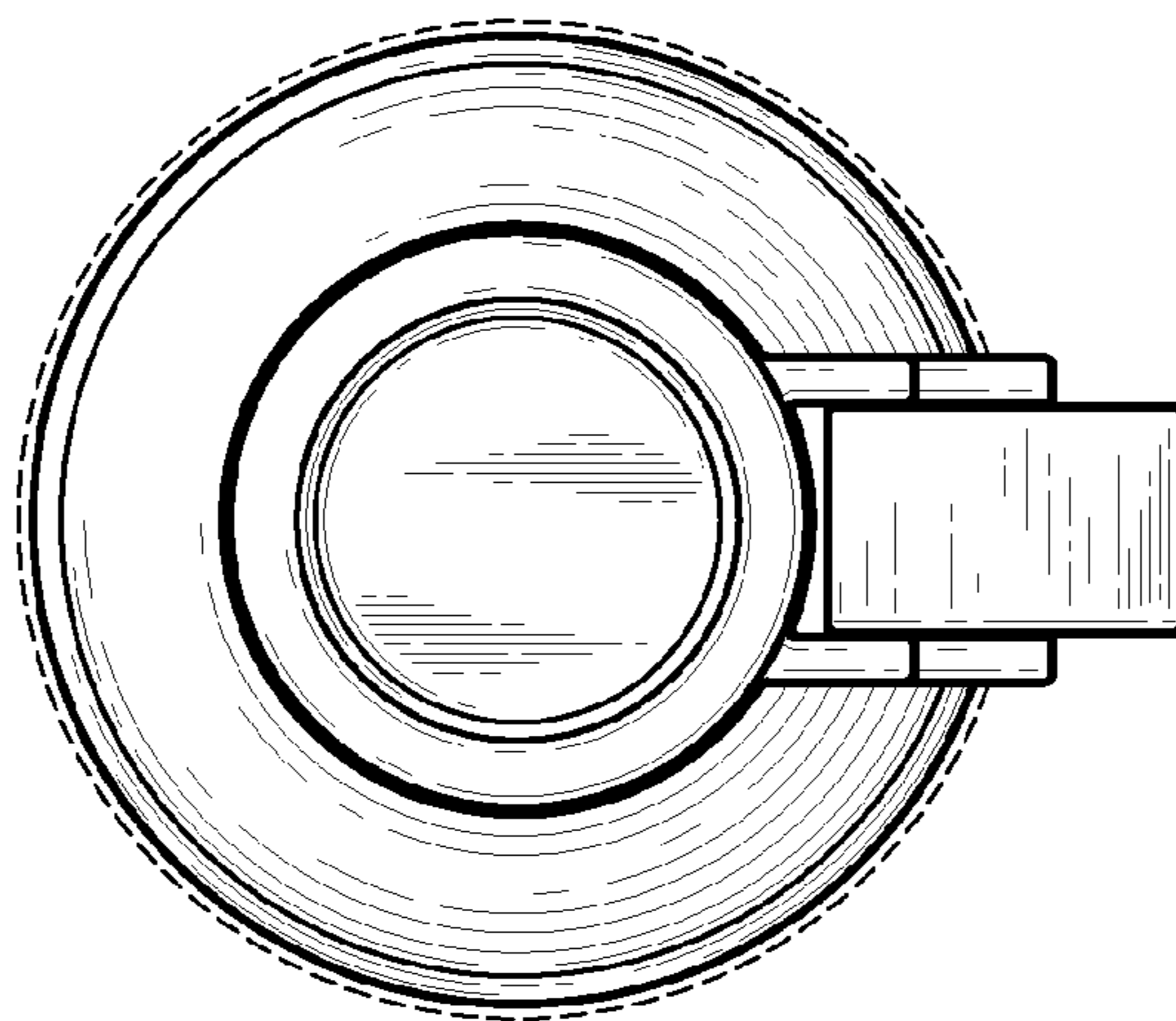


Fig. 6

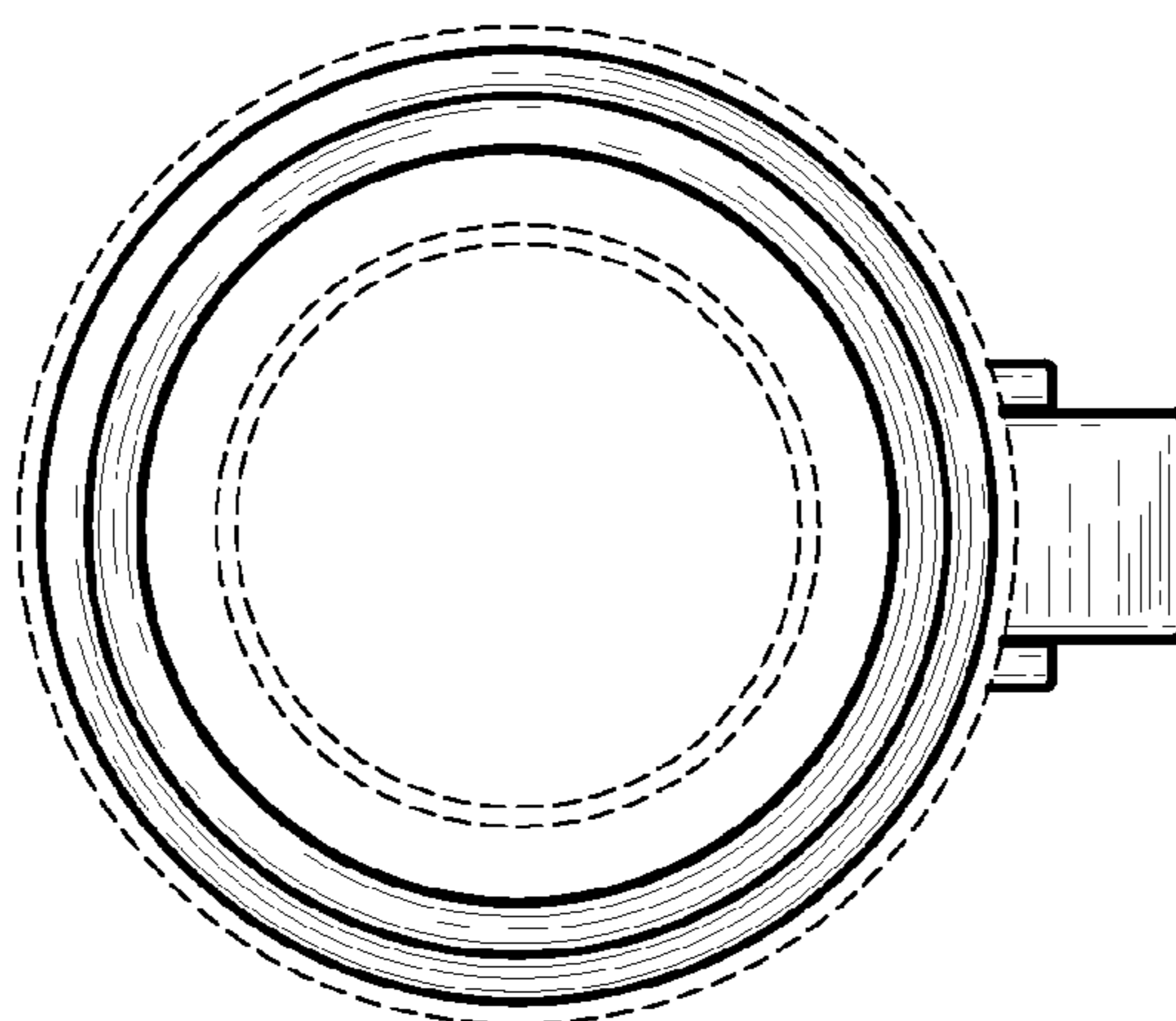


Fig. 7