

US00D660078S

(12) **United States Design Patent**
Kehoe

(10) **Patent No.:** **US D660,078 S**

(45) **Date of Patent:** **** May 22, 2012**

(54) **WINE AERATOR**

(76) Inventor: **Paul Martin Kehoe**, Whitby (CA)

(**) Term: **14 Years**

(21) Appl. No.: **29/371,496**

(22) Filed: **Mar. 25, 2011**

(51) **LOC (9) Cl.** **07-99**

(52) **U.S. Cl.** **D7/397; D7/700; D7/396.2; D7/400;**
D7/387; D7/213; D9/440

(58) **Field of Classification Search** **D7/700,**
D7/400, 524, 526, 527, 213, 300, 396.2, 397,
D7/387; D9/440, 435, 454; 99/323.1, 277.1;
141/201; 210/476, 86

See application file for complete search history.

(56) **References Cited**

U.S. PATENT DOCUMENTS

| | | | | | | |
|-----------|---|---|---------|---------------|-------|----------|
| D231,762 | S | * | 6/1974 | Stott | | D7/527 |
| 3,855,464 | A | * | 12/1974 | Angelo | | 431/297 |
| 5,090,213 | A | * | 2/1992 | Glassman | | 62/457.3 |
| D334,120 | S | * | 3/1993 | Faught | | D7/700 |
| 5,309,820 | A | * | 5/1994 | Baxter et al. | | 99/280 |
| D418,417 | S | * | 1/2000 | Hollinger | | D9/440 |
| D460,904 | S | * | 7/2002 | Riley et al. | | D8/8 |
| D499,315 | S | * | 12/2004 | Settele | | D7/700 |
| D503,870 | S | * | 4/2005 | Marks et al. | | D7/396.1 |

| | | | | | | |
|--------------|----|---|---------|---------------|-------|----------|
| D535,559 | S | * | 1/2007 | Kehoe | | D9/440 |
| D558,516 | S | * | 1/2008 | Bulala et al. | | D7/400 |
| D605,465 | S | * | 12/2009 | Benton et al. | | D7/396.2 |
| D612,659 | S | * | 3/2010 | Kehoe | | D7/316 |
| D619,431 | S | * | 7/2010 | Wax | | D7/700 |
| 2006/0032855 | A1 | * | 2/2006 | Hinkle | | 220/703 |

* cited by examiner

Primary Examiner — Marianne Pandozzi

(57) **CLAIM**

I claim the ornamental design for a wine aerator, as shown.

DESCRIPTION

FIG. 1 is a perspective view of a wine aerator showing my new design;

FIG. 2 is a left side elevational view of the design shown in FIG. 1;

FIG. 3 is a front elevational view of the design as shown in FIG. 1;

FIG. 4 is the right side elevational view of the design as shown in FIG. 1;

FIG. 5 is the rear elevational view of the design as shown in FIG. 1;

FIG. 6 is the top plan view of the design as shown in FIG. 1; and,

FIG. 7 is the bottom plan view of the design as show in FIG. 1.

1 Claim, 4 Drawing Sheets

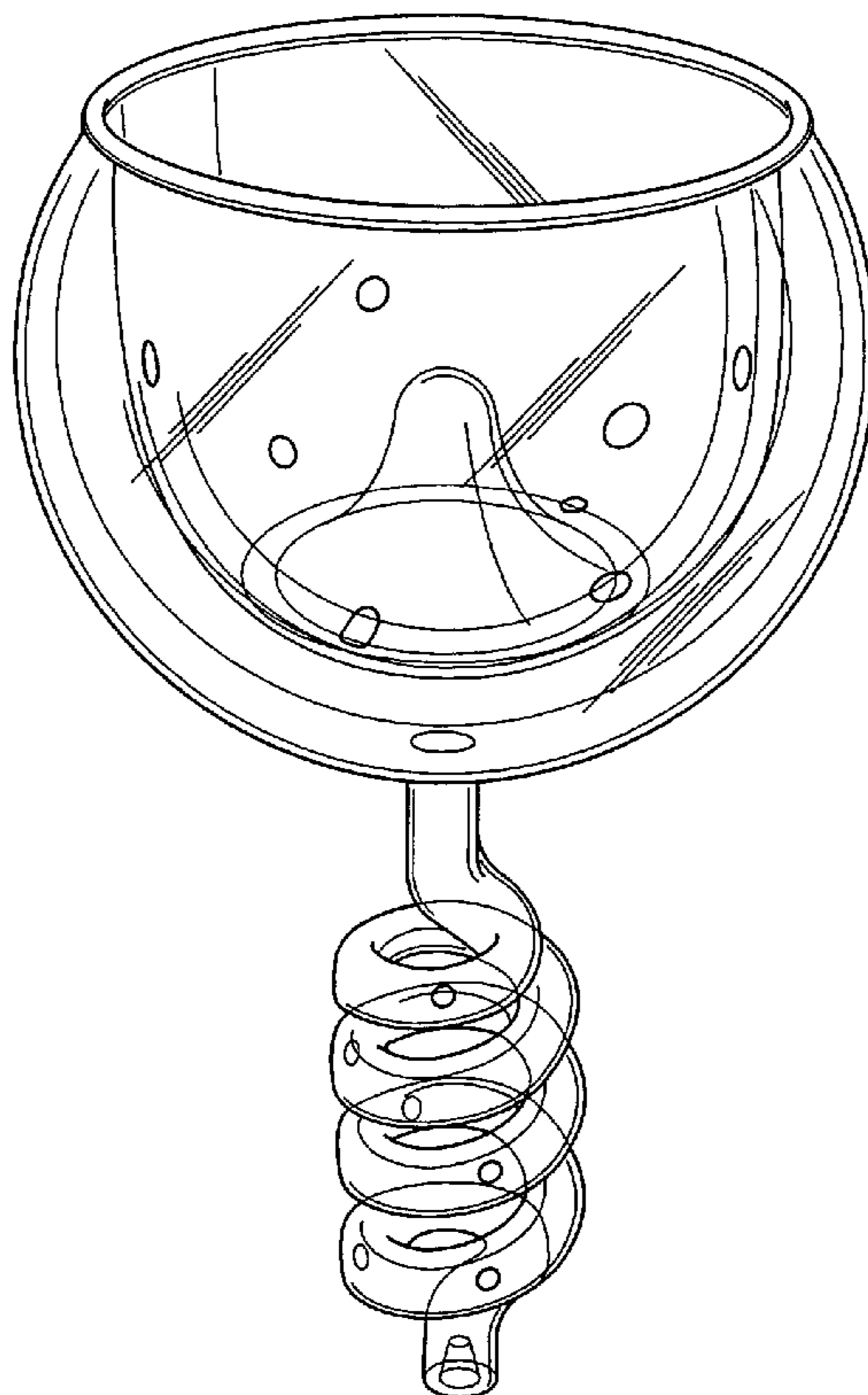
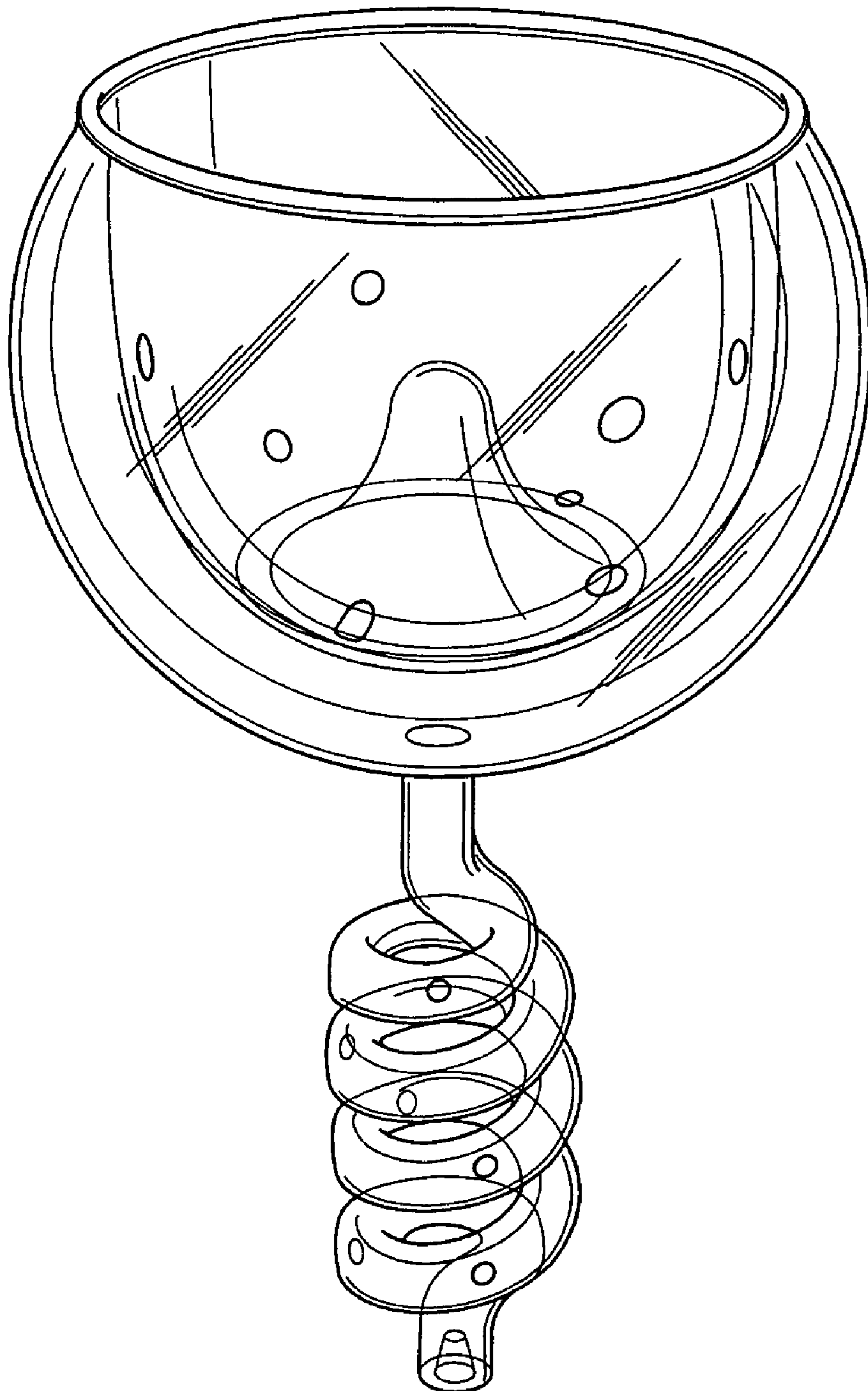


Fig. 1



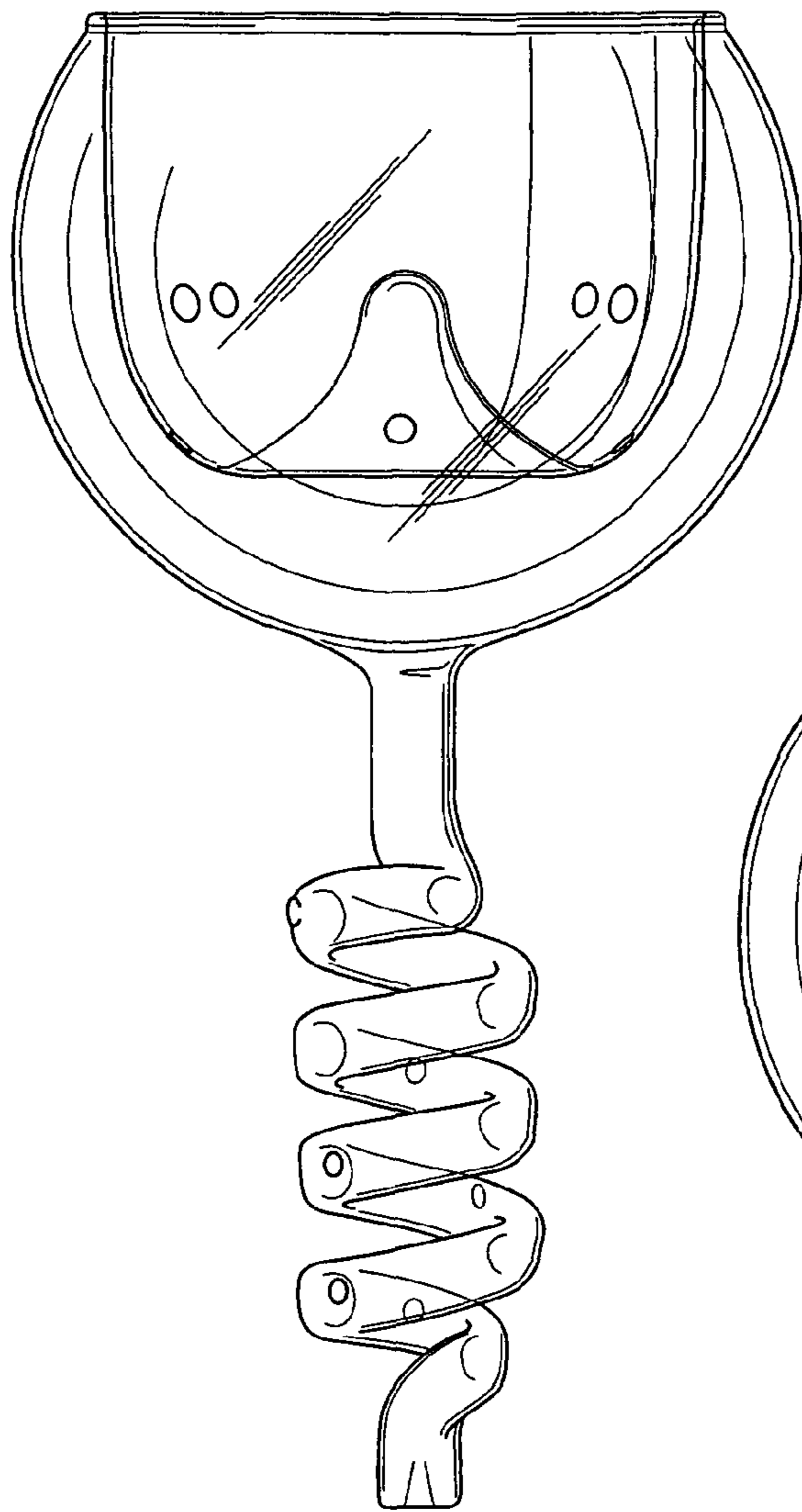


Fig.2

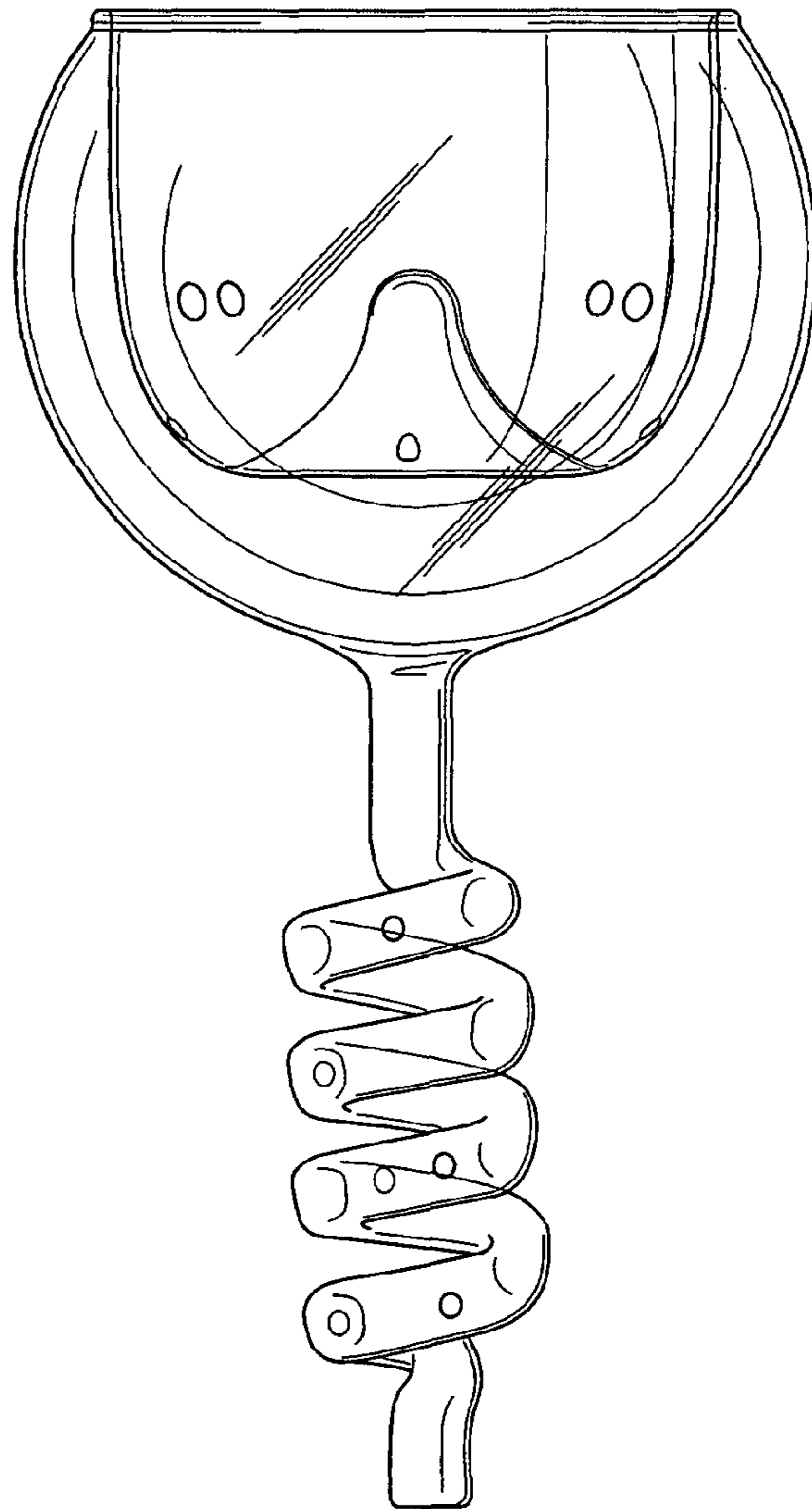


Fig.3

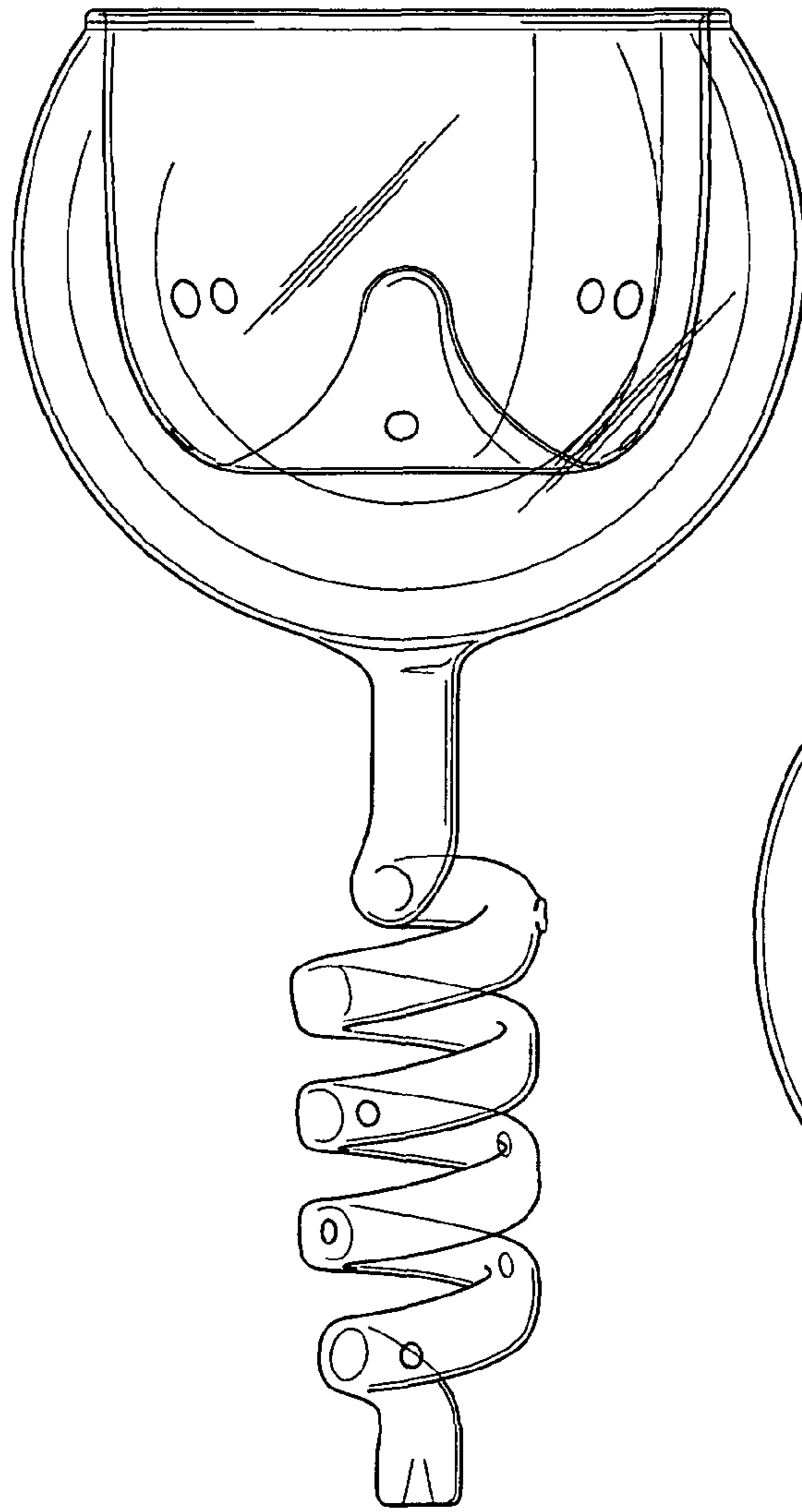


Fig.4

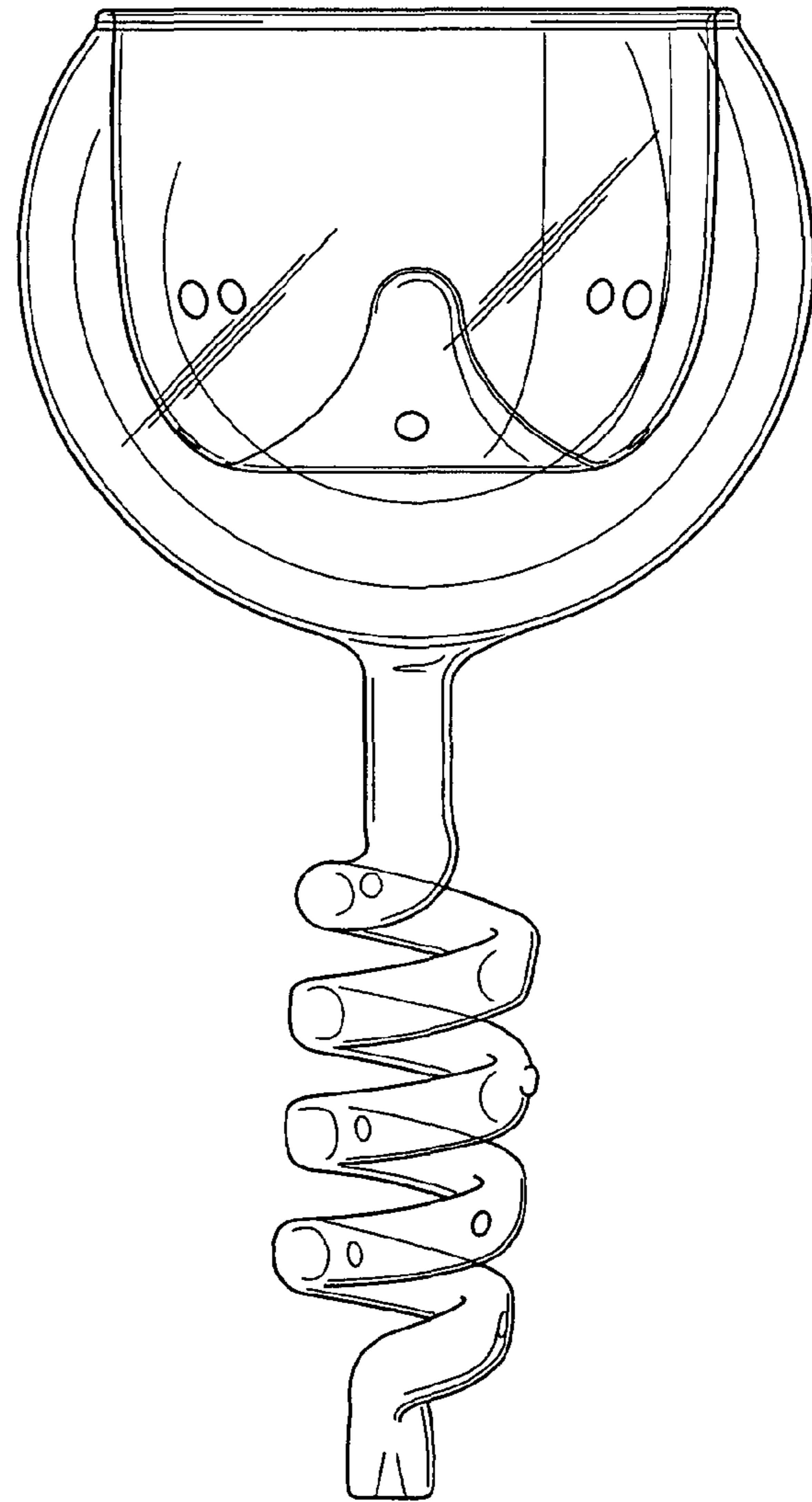


Fig.5

Fig.6

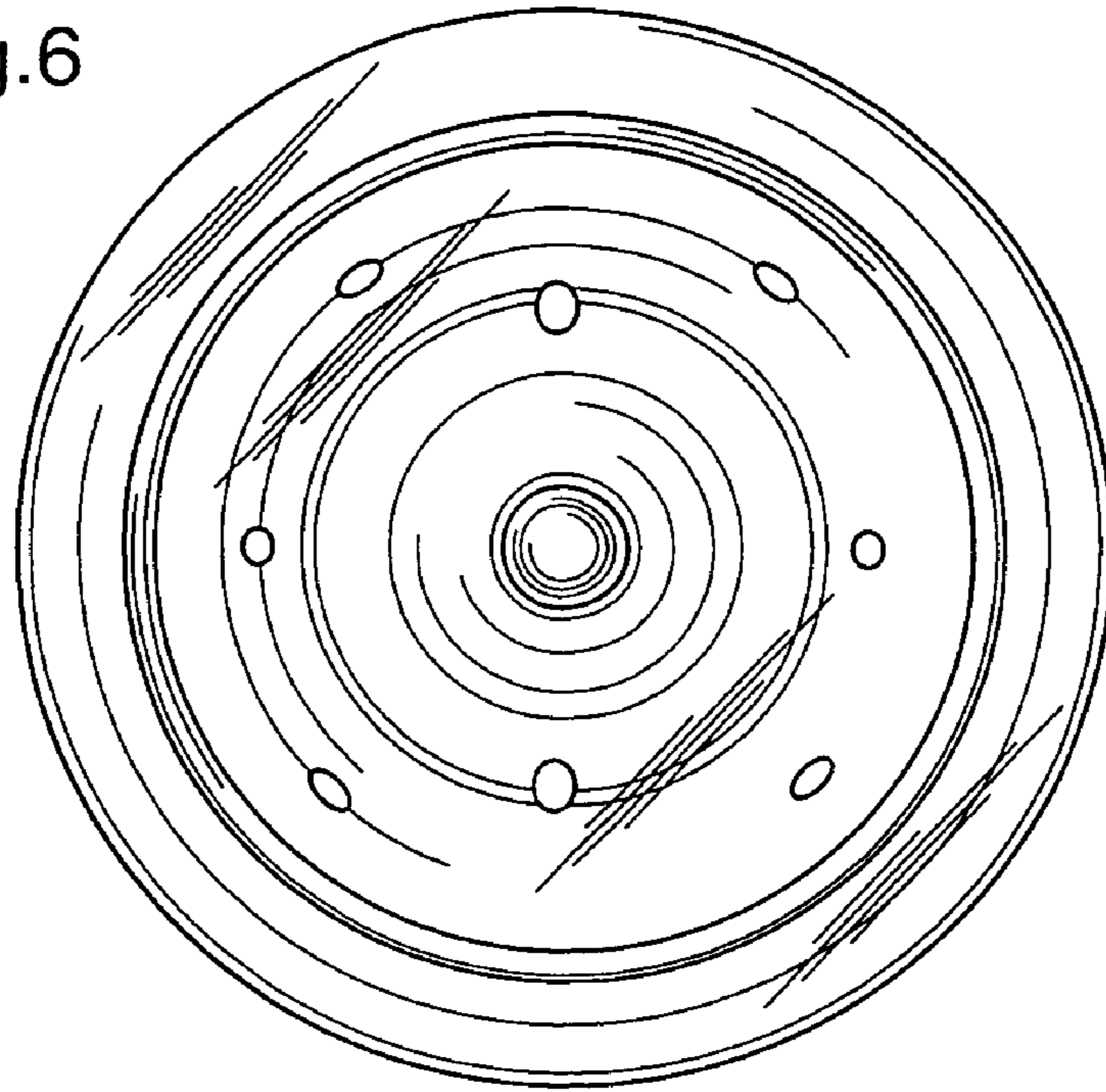


Fig.7

