

US00D660077S

(12) **United States Design Patent**
Burns

(10) **Patent No.:** **US D660,077 S**

(45) **Date of Patent:** **** May 22, 2012**

(54) **PLUG FOR BEVERAGE CONTAINER LID**

(75) Inventor: **Thomas Burns**, Bothell, WA (US)

(73) Assignee: **Stixtogo, Inc.**, Bothell, WA (US)

(**) Term: **14 Years**

(21) Appl. No.: **29/377,746**

(22) Filed: **Oct. 25, 2010**

Related U.S. Application Data

(63) Continuation-in-part of application No. 12/084,195, filed as application No. PCT/US2006/042620 on Oct. 31, 2006, which is a continuation of application No. 11/323,824, filed on Dec. 30, 2005, now abandoned.

(51) **LOC (9) Cl.** **07-99**

(52) **U.S. Cl.** **D7/392.1; D7/396.2; D7/300.2**

(58) **Field of Classification Search** **D7/300.2, D7/391-392.1, 398, 901, 396.2; D1/102; D9/439; 215/228, 308; 220/802, 713; 366/129**
See application file for complete search history.

(56) **References Cited**

U.S. PATENT DOCUMENTS

1,014,486	A	1/1912	King	
2,109,750	A	3/1938	Paul	
2,723,111	A *	11/1955	Hallett	416/71
2,841,307	A	7/1958	Yoder	
3,168,961	A	2/1965	Yates	
3,442,377	A	5/1969	Angelus	
3,542,231	A	11/1970	Wettermann et al.	
3,650,432	A	3/1972	Easton et al.	
3,871,547	A	3/1975	Wharton	
D255,548	S *	6/1980	Grodin	D9/439
D256,721	S *	9/1980	Boller et al.	D12/197
4,561,782	A *	12/1985	Jacobsen et al.	366/349
4,583,654	A	4/1986	Pufpaff et al.	
D294,190	S *	2/1988	Aquarius	D1/102
4,823,978	A	4/1989	Pufpaff	
4,903,855	A	2/1990	Ducay et al.	

5,038,476	A	8/1991	McCrea	
D322,370	S	12/1991	Cross et al.	
5,894,952	A *	4/1999	Mendenhall et al.	220/713
5,938,325	A *	8/1999	Edwards	366/129
5,996,837	A	12/1999	Freek et al.	

(Continued)

FOREIGN PATENT DOCUMENTS

FR 2698773 6/1994

(Continued)

OTHER PUBLICATIONS

Office Action dated Jun. 4, 2007, from U.S. Appl. No. 11/323,824, filed Dec. 30, 2005.

(Continued)

Primary Examiner — Marianne Pandozzi

(74) *Attorney, Agent, or Firm* — Knobbe, Martens, Olson & Bear LLP

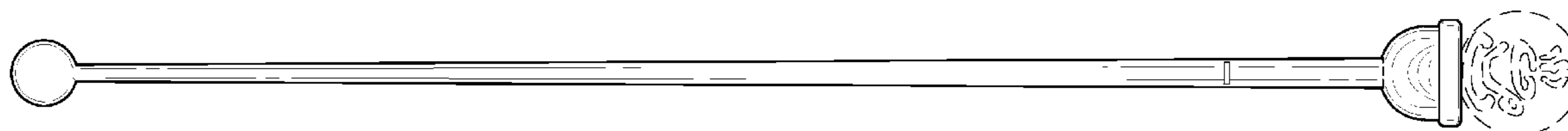
(57) **CLAIM**

The ornamental design for a plug for beverage container lid, as shown and described.

DESCRIPTION

FIG. 1 is a perspective view of a plug for beverage container lid configured in accordance with the present invention; FIG. 2 is an enlarged perspective view thereof, lower portions removed for ease of illustration; FIG. 3 is a front view thereof; FIG. 4 is a left side view thereof; FIG. 5 is a rear view thereof; FIG. 6 is a right side view thereof; FIG. 7 is an enlarged bottom plan view thereof; and, FIG. 8 is an enlarged top plan view thereof. The broken lines in the drawings are included for the purpose of illustration and form no part of the claimed design.

1 Claim, 3 Drawing Sheets



US D660,077 S

Page 2

U.S. PATENT DOCUMENTS

D421,570 S * 3/2000 Hollinger D9/439
6,032,694 A 3/2000 Wellen et al.
D422,214 S * 4/2000 Hollinger D9/439
6,132,125 A * 10/2000 Lin 401/195
6,305,832 B1 * 10/2001 Huang 366/129
D451,337 S * 12/2001 Sum D7/387
6,638,131 B1 10/2003 Thai
6,644,490 B2 11/2003 Clarke
6,871,995 B2 * 3/2005 Simba 366/129
6,886,707 B2 5/2005 Giraud
D520,359 S * 5/2006 Sach D9/439
7,244,161 B2 * 7/2007 Thai 446/15
D590,650 S * 4/2009 Aoki et al. D7/300.2
D619,428 S * 7/2010 Saha et al. D7/669
D632,571 S * 2/2011 Blythe D9/443
D640,561 S * 6/2011 Seys D9/505
D643,719 S * 8/2011 Chiott D9/439

2003/0089714 A1 5/2003 Dart et al.
2004/0094549 A1 5/2004 Ryan et al.
2005/0189352 A1 9/2005 Deley
2005/0284874 A1 * 12/2005 Lucks 220/712
2006/0278653 A1 12/2006 Zeyfang et al.
2007/0007292 A1 1/2007 Deley et al.
2007/0023442 A1 2/2007 Auzenne
2007/0095833 A1 5/2007 Burns

FOREIGN PATENT DOCUMENTS

JP 2001-120414 5/2001

OTHER PUBLICATIONS

International Search Report and Written Opinion dated Jun. 21, 2007,
from International Patent Application No. PCT/US2006/042620,
filed on Oct. 31, 2006.

* cited by examiner

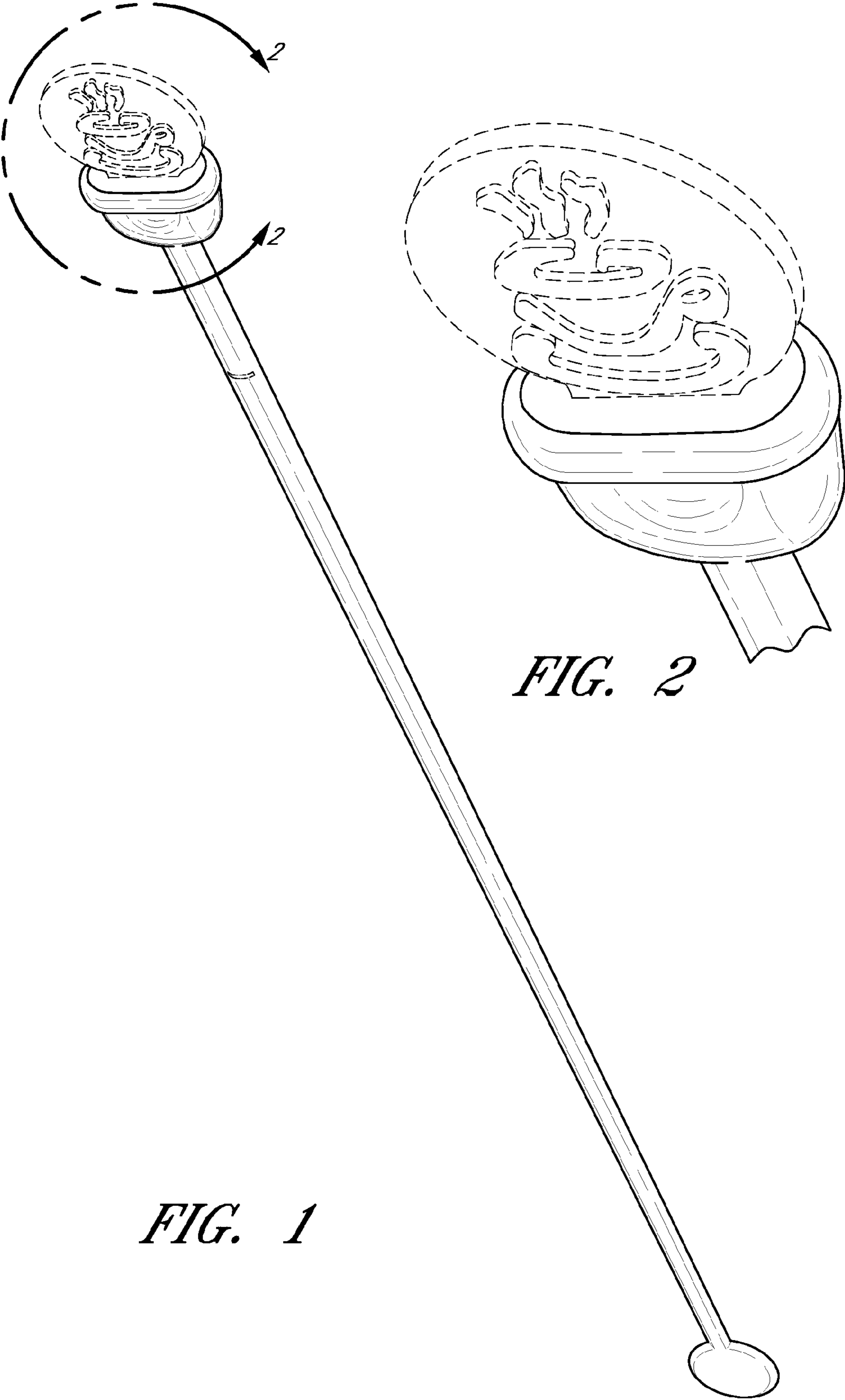


FIG. 1

FIG. 2

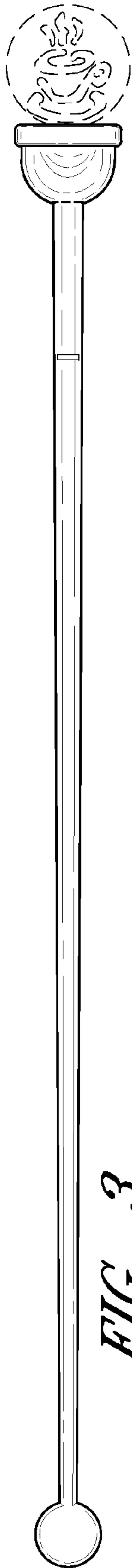


FIG. 3

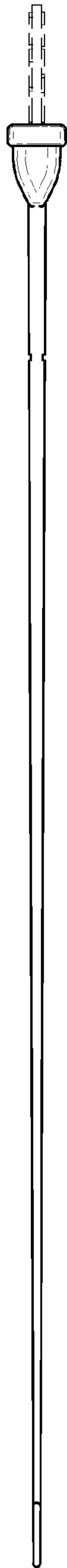


FIG. 4

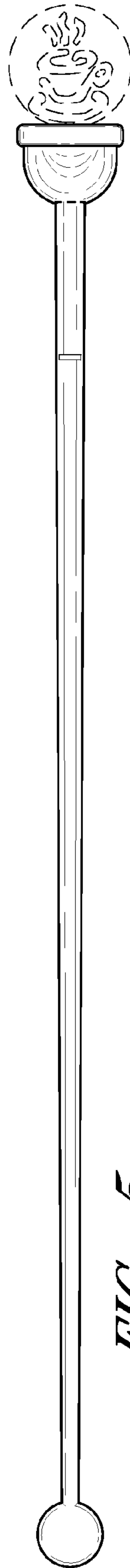


FIG. 5

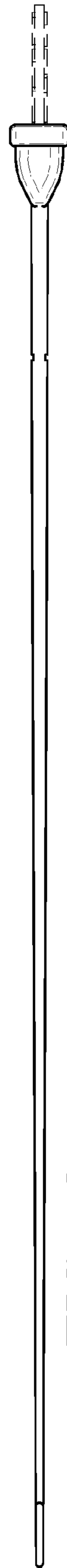


FIG. 6

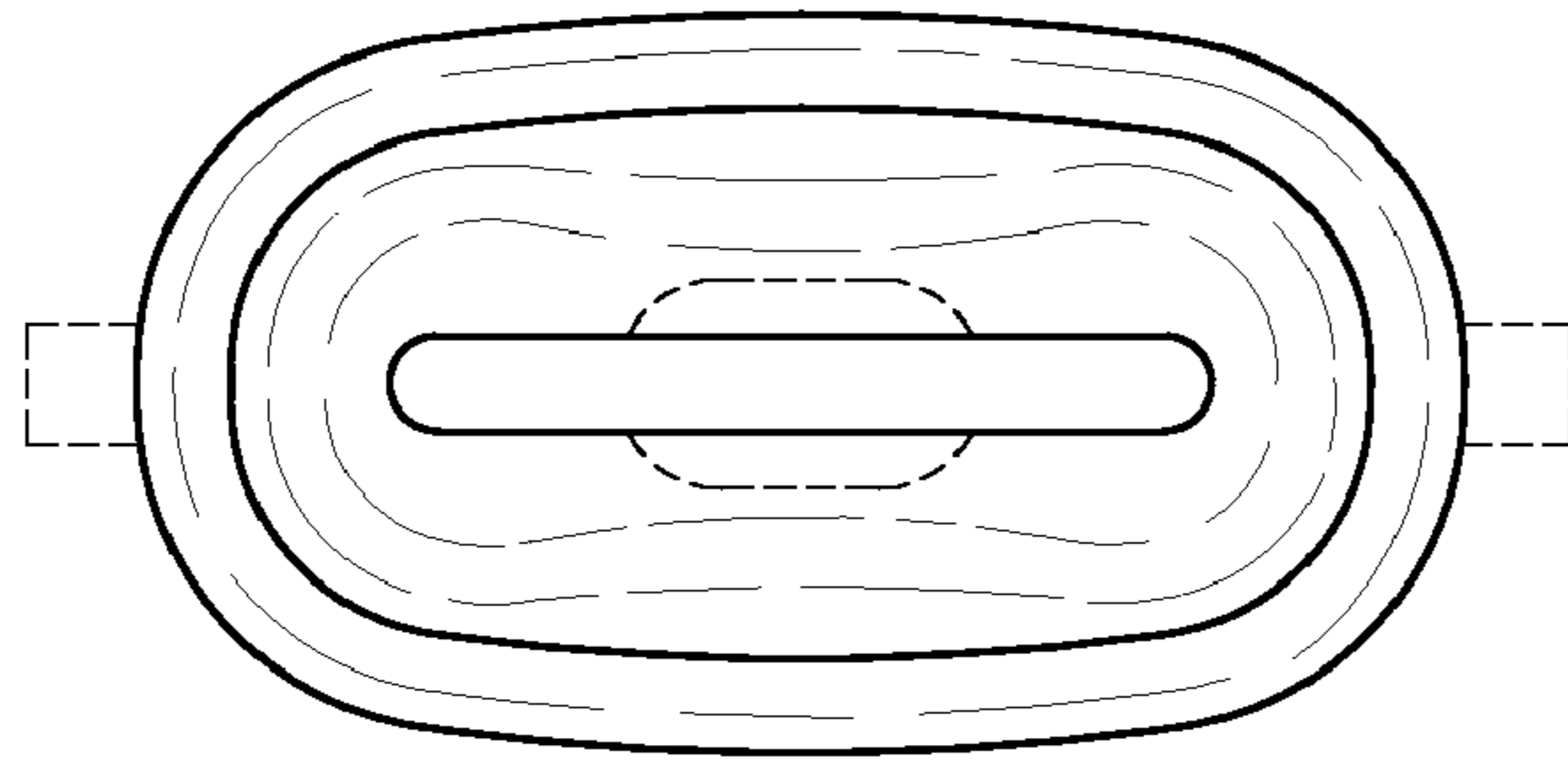


FIG. 7

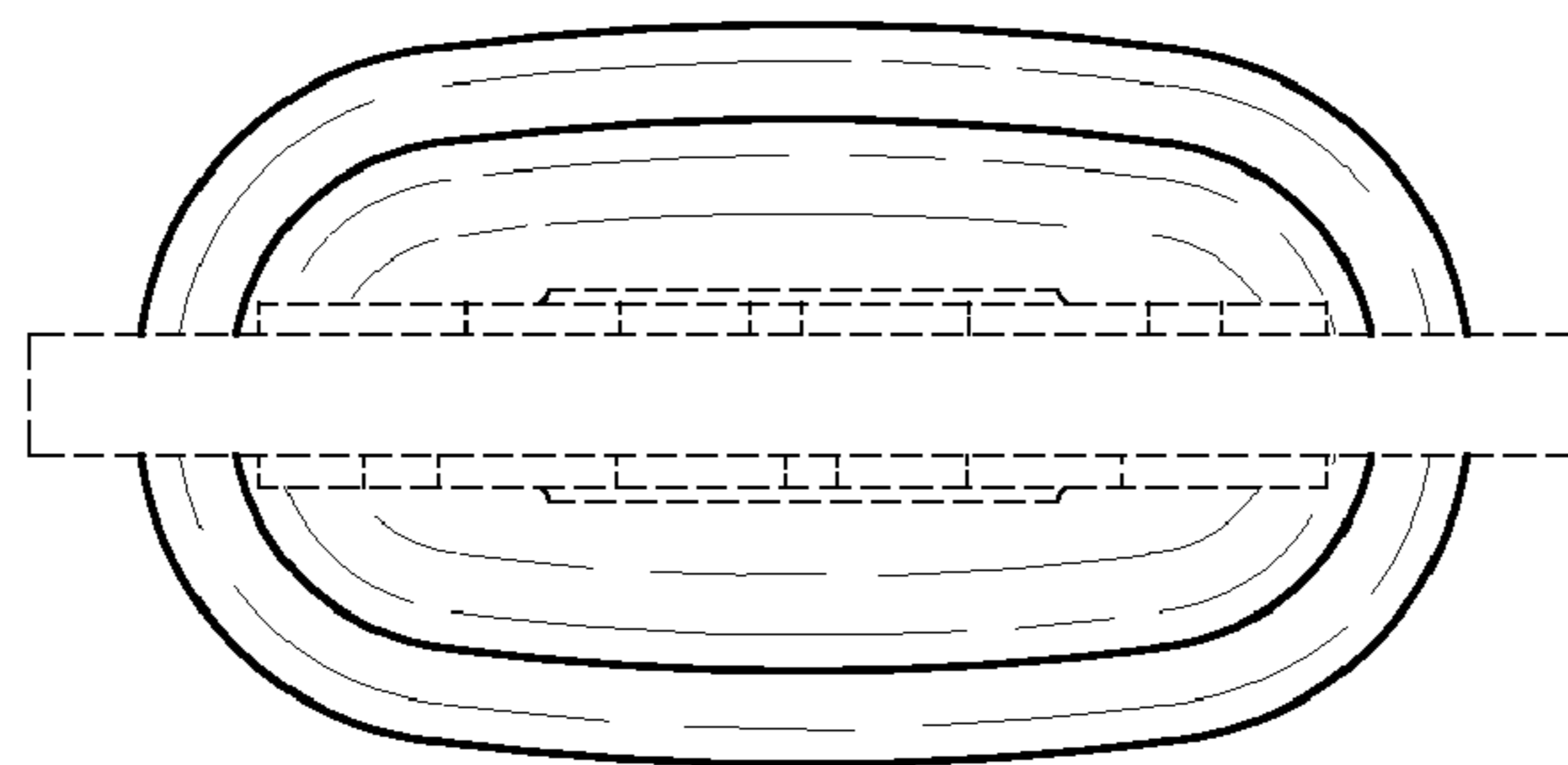


FIG. 8