

US00D660076S

(12) **United States Design Patent**  
**Schramm**

(10) **Patent No.:** **US D660,076 S**  
(45) **Date of Patent:** **\*\* May 22, 2012**

(54) **COLORING CONTAINER**

(56) **References Cited**

(76) Inventor: **Michael R. Schramm**, Perry, UT (US)

U.S. PATENT DOCUMENTS

(\*\*) Term: **14 Years**

1,254,714	A	1/1918	McCombs	
D151,160	S *	9/1948	Manca	D7/630
D221,978	S *	9/1971	Daenen	D7/503
3,713,528	A *	1/1973	Daenen et al.	206/525
3,840,678	A	10/1974	Price	426/104
4,967,687	A	11/1990	McShane	118/13
D322,195	S *	12/1991	Daenen et al.	D7/503
D325,325	S *	4/1992	Cadman	D7/611
D400,398	S *	11/1998	McNaughton	D7/513

(21) Appl. No.: **29/359,140**

(22) Filed: **Apr. 6, 2010**

**Related U.S. Application Data**

(Continued)

(63) Continuation-in-part of application No. 11/618,921, filed on Jan. 1, 2007, which is a continuation of application No. 10/092,878, filed on Mar. 6, 2002, now Pat. No. 7,942,109, and a continuation-in-part of application No. 12/539,803, filed on Aug. 12, 2009, and a continuation-in-part of application No. 09/707,156, filed on Nov. 6, 2000, which is a continuation-in-part of application No. 09/287,798, filed on Apr. 7, 1999, now Pat. No. 6,386,138, which is a continuation-in-part of application No. 09/021,617, filed on Feb. 10, 1998, now Pat. No. 5,908,057, which is a continuation of application No. 08/608,854, filed on Feb. 29, 1996, now Pat. No. 5,832,969, which is a continuation-in-part of application No. 08/086,541, filed on Jul. 1, 1993, now Pat. No. 5,495,876, which is a continuation-in-part of application No. 07/828,345, filed on Jan. 30, 1992, now Pat. No. 5,246,046.

FOREIGN PATENT DOCUMENTS

GB 1428356 3/1976

OTHER PUBLICATIONS

Easter Unlimited, No Spill™ Egg Coloring Kit, Feb. 2010.

*Primary Examiner* — Elizabeth J Oswecki  
(74) *Attorney, Agent, or Firm* — Michael R. Schramm

(51) **LOC (9) Cl.** ..... **07-01**

(57) **CLAIM**

The ornamental design for a coloring container, as shown and described.

(52) **U.S. Cl.** ..... **D7/368**

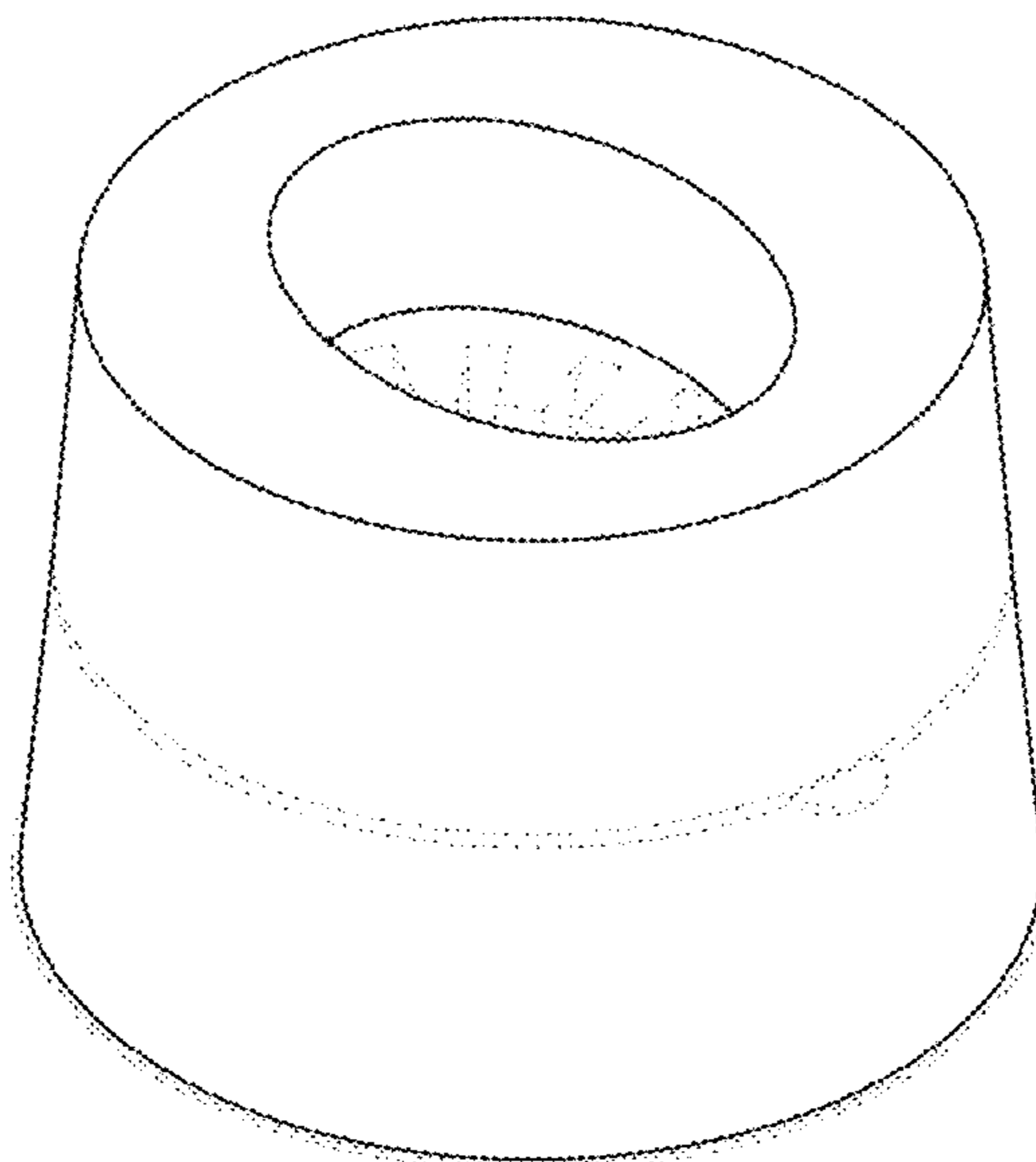
**DESCRIPTION**

FIG. 1 is a front, top perspective view of a coloring container showing my new design;  
FIG. 2 is a top plan view thereof;  
FIG. 3 is a bottom plan view thereof;  
FIG. 4 is a front elevation view thereof;  
FIG. 5 is a rear elevation view thereof;  
FIG. 6 is a right side elevation view thereof; and,  
FIG. 7 is a left side elevation view thereof. The broken lines in the figures showing environment are for illustrative purpose only and form no part of the claimed design.  
In the drawings, the broken lines in FIGS. 1-7 depict portions of the design that form no part of the claim.

(58) **Field of Classification Search** ..... D7/503,  
D7/538, 540, 542, 601, 602, 611, 629, 630,  
D7/368, 667, 412; 220/495.03, 508, 510,  
220/62.11, 62.13, 660, 669, 675; 215/379,  
215/381-385

See application file for complete search history.

**1 Claim, 7 Drawing Sheets**



# US D660,076 S

Page 2

---

## U.S. PATENT DOCUMENTS

D402,501 S *	12/1998	Powers .....	D7/503	D597,796 S *	8/2009	Roth et al. ....	D7/629
6,110,514 A *	8/2000	Powers .....	426/300	D620,321 S *	7/2010	Sperrazza .....	D7/629
D447,917 S *	9/2001	Miller et al. ....	D7/629	D627,607 S *	11/2010	Roth et al. ....	D7/629
D519,324 S *	4/2006	Martin .....	D7/590	D631,302 S *	1/2011	Sperrazza .....	D7/629
D584,575 S *	1/2009	Courington et al. ....	D7/667				

\* cited by examiner

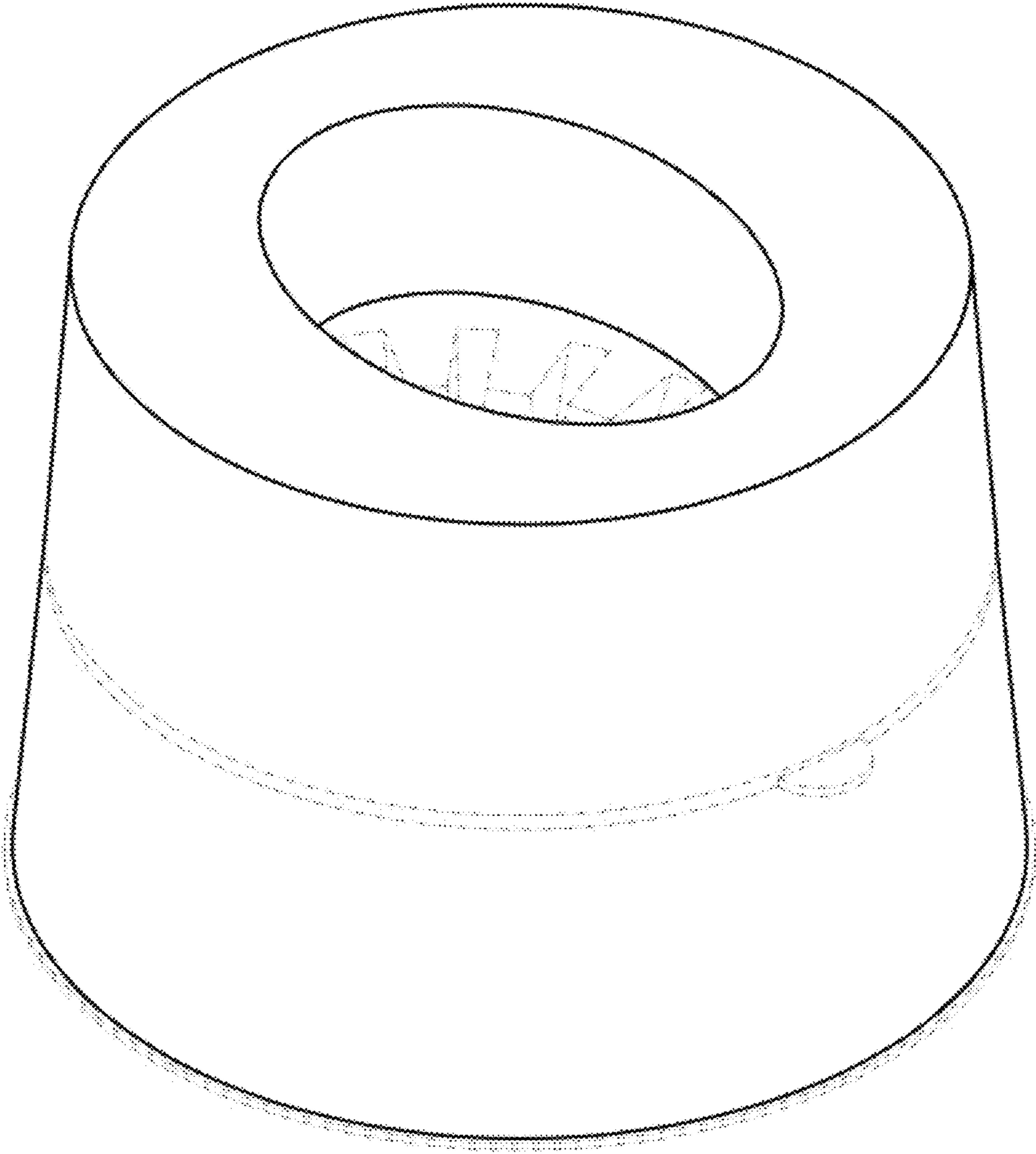


Figure 1

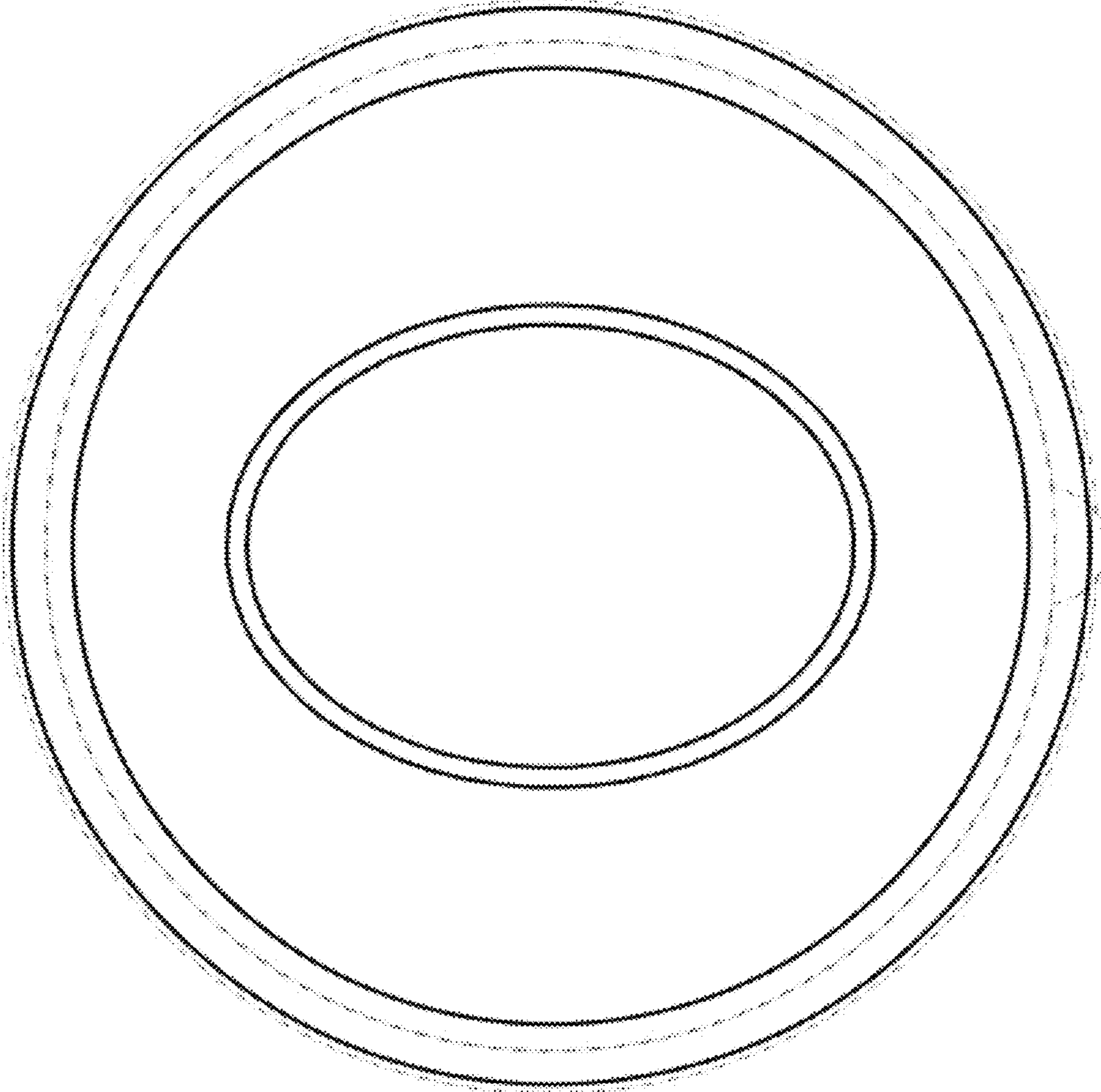


Figure 2

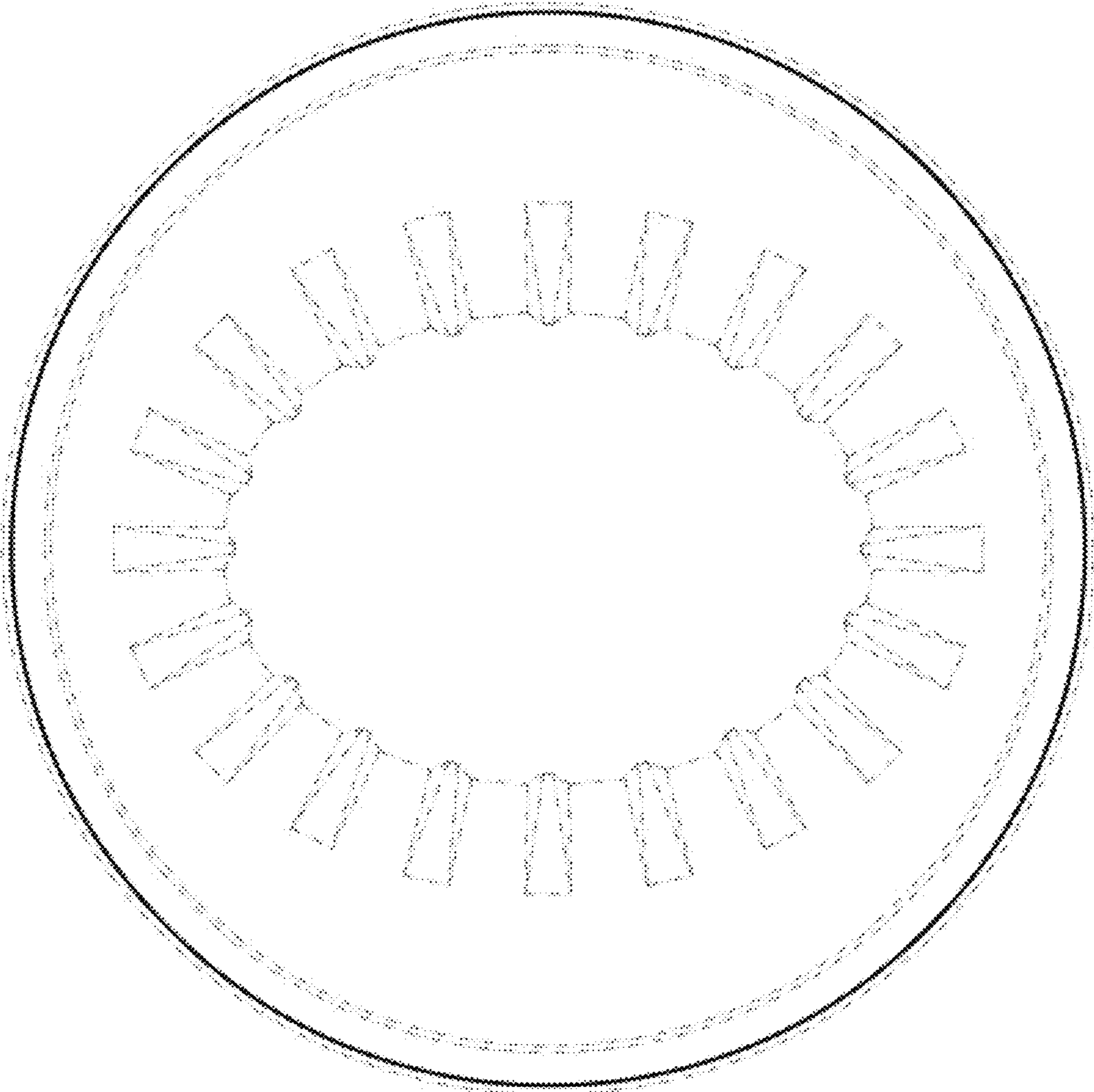


Figure 3



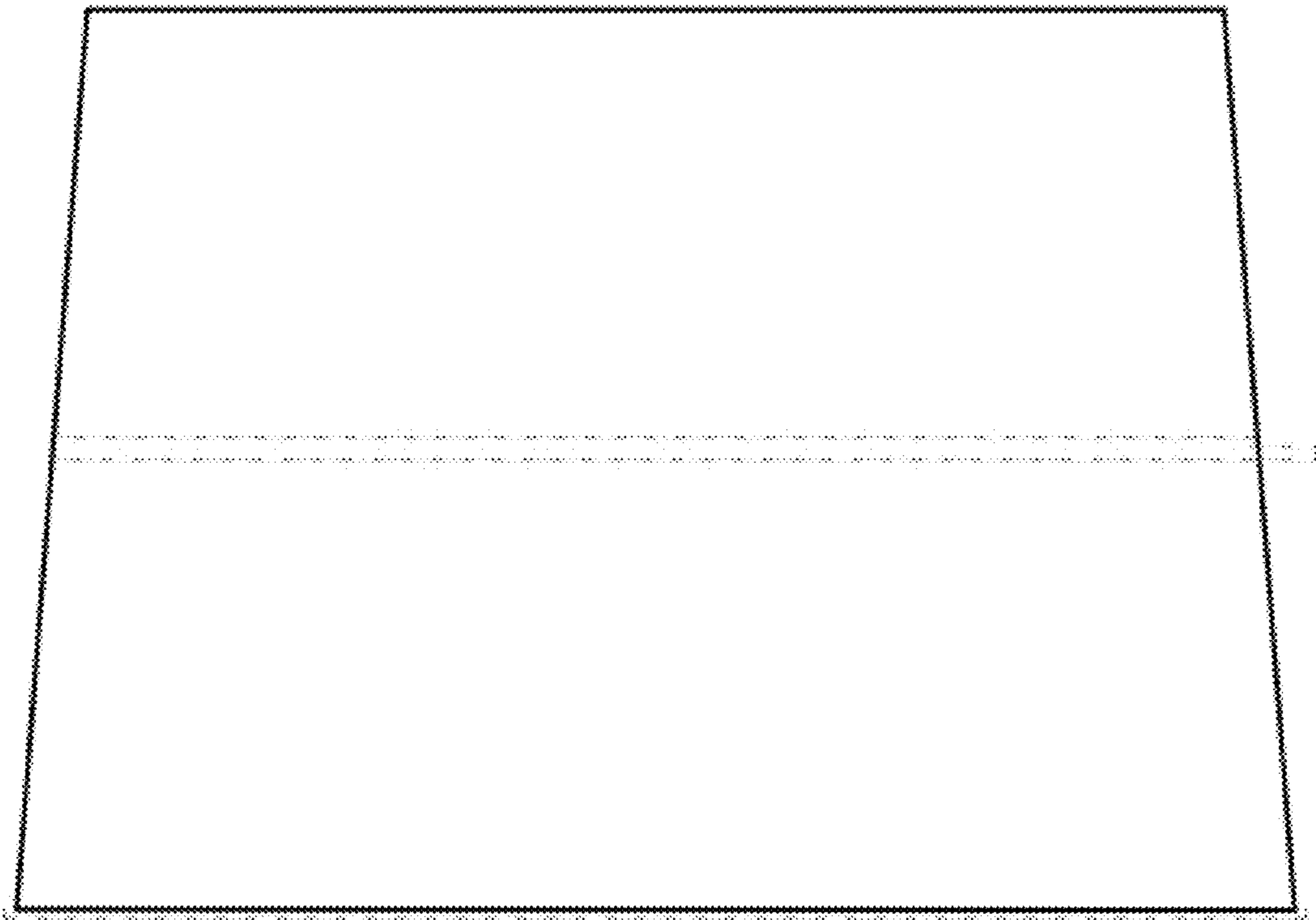


Figure 4

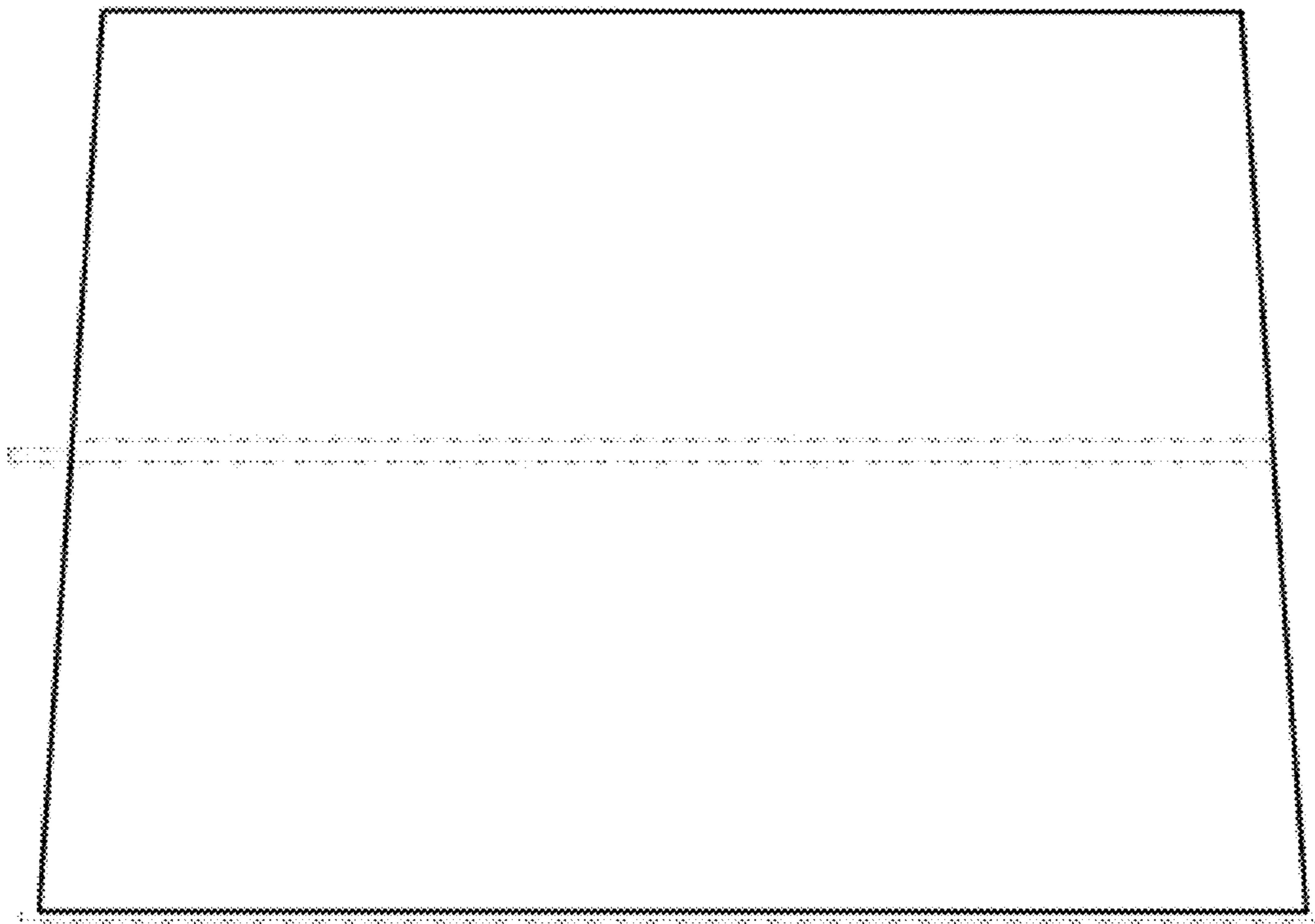


Figure 5

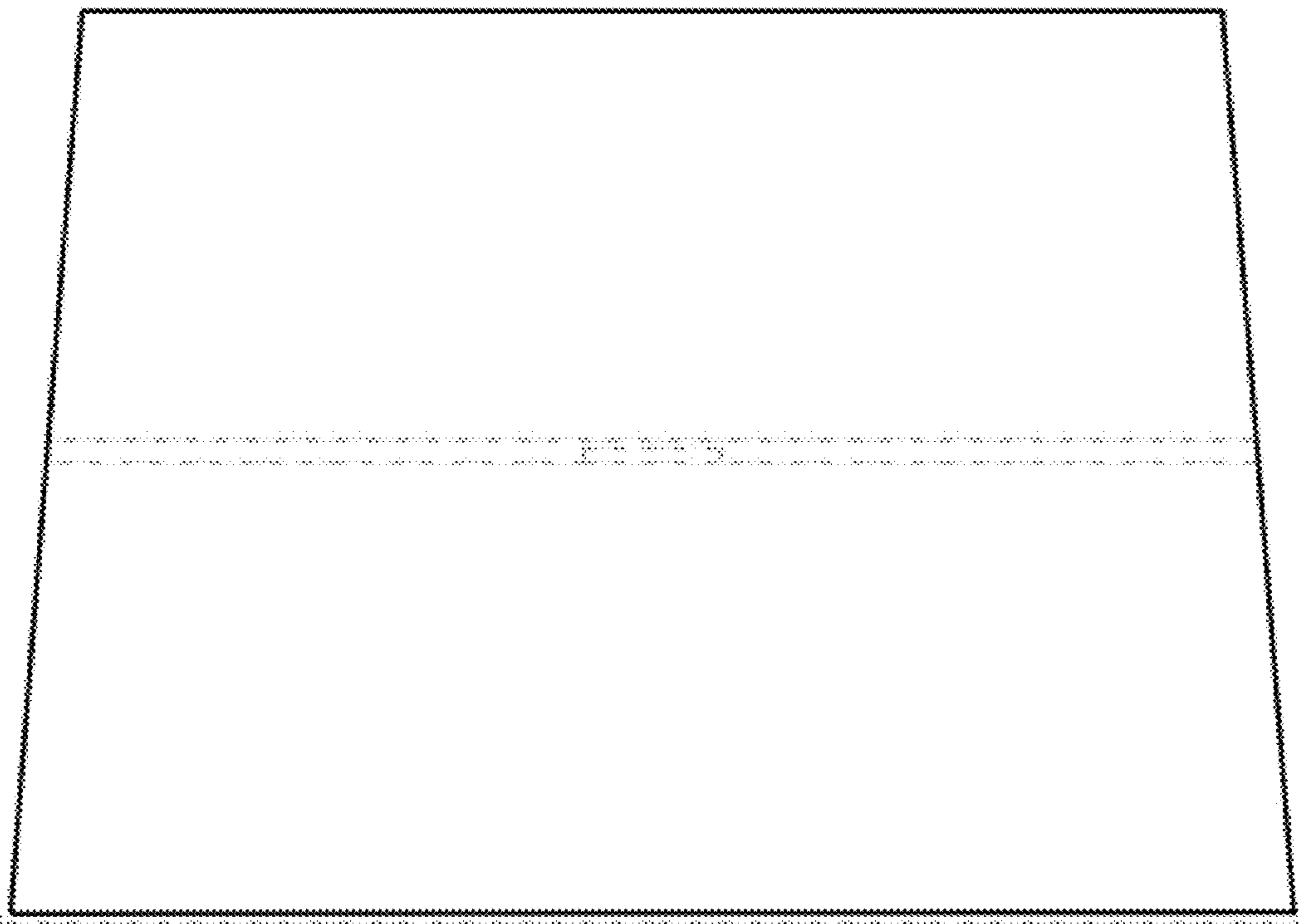


Figure 6



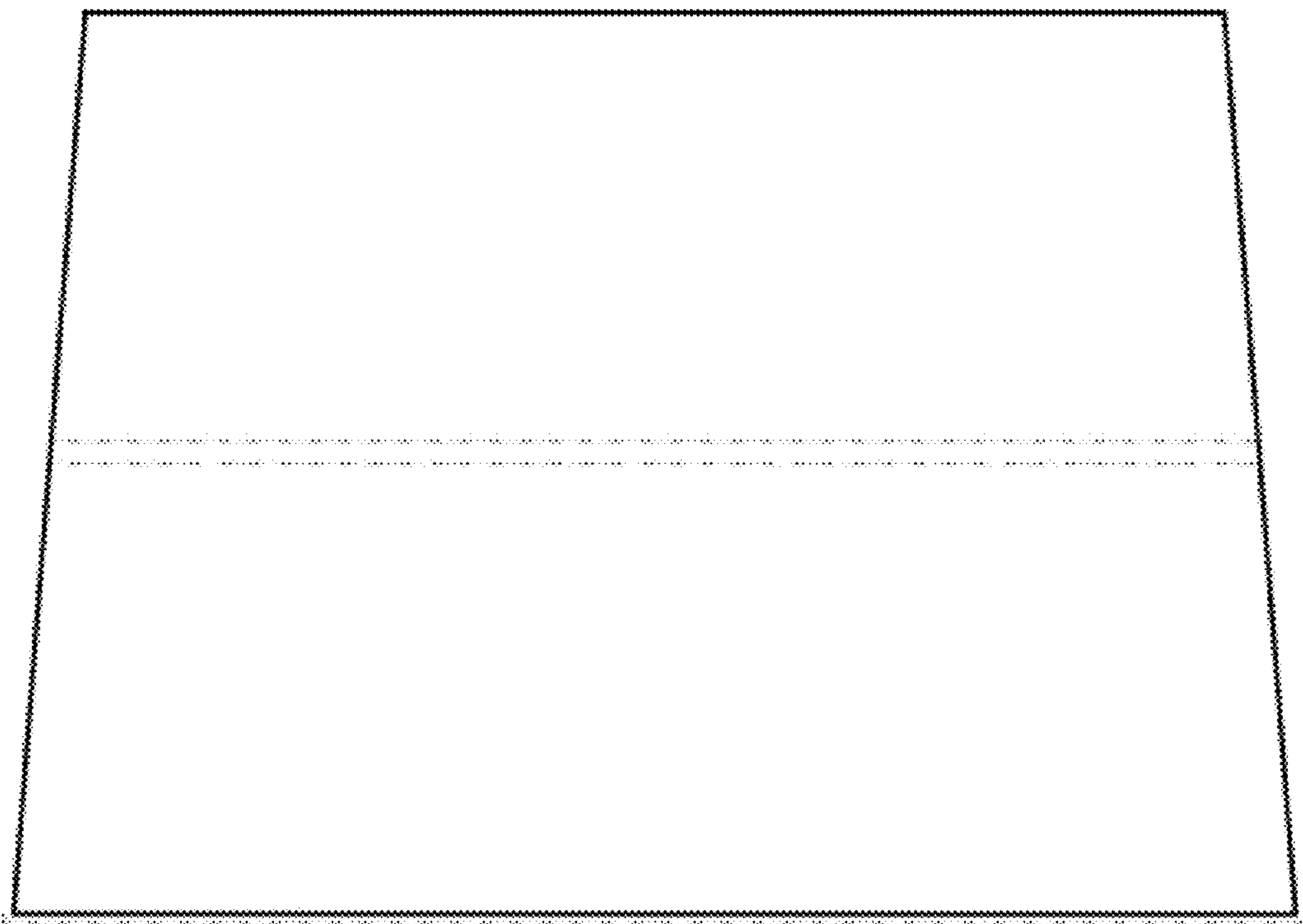


Figure 7