

US00D660075S

(12) **United States Design Patent**
Chung

(10) **Patent No.:** **US D660,075 S**

(45) **Date of Patent:** **** May 22, 2012**

(54) **BARBECUE GRILL**

(76) Inventor: **Kiosky Chung**, Taichung (TW)

(**) Term: **14 Years**

(21) Appl. No.: **29/384,527**

(22) Filed: **Jan. 31, 2011**

(51) **LOC (9) Cl.** **07-02**

(52) **U.S. Cl.** **D7/334**

(58) **Field of Classification Search** D7/332,
D7/334-337, 402-405, 338, 417; 126/25 R,
126/25 A, 25 AA, 25 B, 273 R, 9 R, 38, 40,
126/50, 9 B, 48, 29-30, 43-44, 26, 372, 314,
126/307 R, 312, 292; 99/339, 448, 449,
99/481-482, 516, 340-341; 431/331

See application file for complete search history.

(56) **References Cited**

U.S. PATENT DOCUMENTS

D529,330 S	*	10/2006	Chung	D7/334
D547,594 S	*	7/2007	Pai	D7/334
D549,510 S	*	8/2007	Chung	D7/334
D550,501 S	*	9/2007	Chung	D7/334
D571,605 S	*	6/2008	Chung	D7/334
D576,441 S	*	9/2008	Chung	D7/334
D605,892 S	*	12/2009	Proffitt et al.	D7/334

D618,034 S	*	6/2010	Chung	D7/334
D618,035 S	*	6/2010	Chung	D7/334
D618,036 S	*	6/2010	Chung	D7/334
D618,485 S	*	6/2010	Chung	D7/334
D618,952 S	*	7/2010	Chung	D7/334
D624,782 S	*	10/2010	Chung	D7/334

* cited by examiner

Primary Examiner — Ruth McInroy

(57) **CLAIM**

I claim the ornamental design for a barbecue grill, as shown and described.

DESCRIPTION

FIG. 1 is a perspective view of a barbecue grill, showing my new design;

FIG. 2 is a front elevational view thereof;

FIG. 3 is a rear elevational view thereof;

FIG. 4 is a left side elevational view thereof;

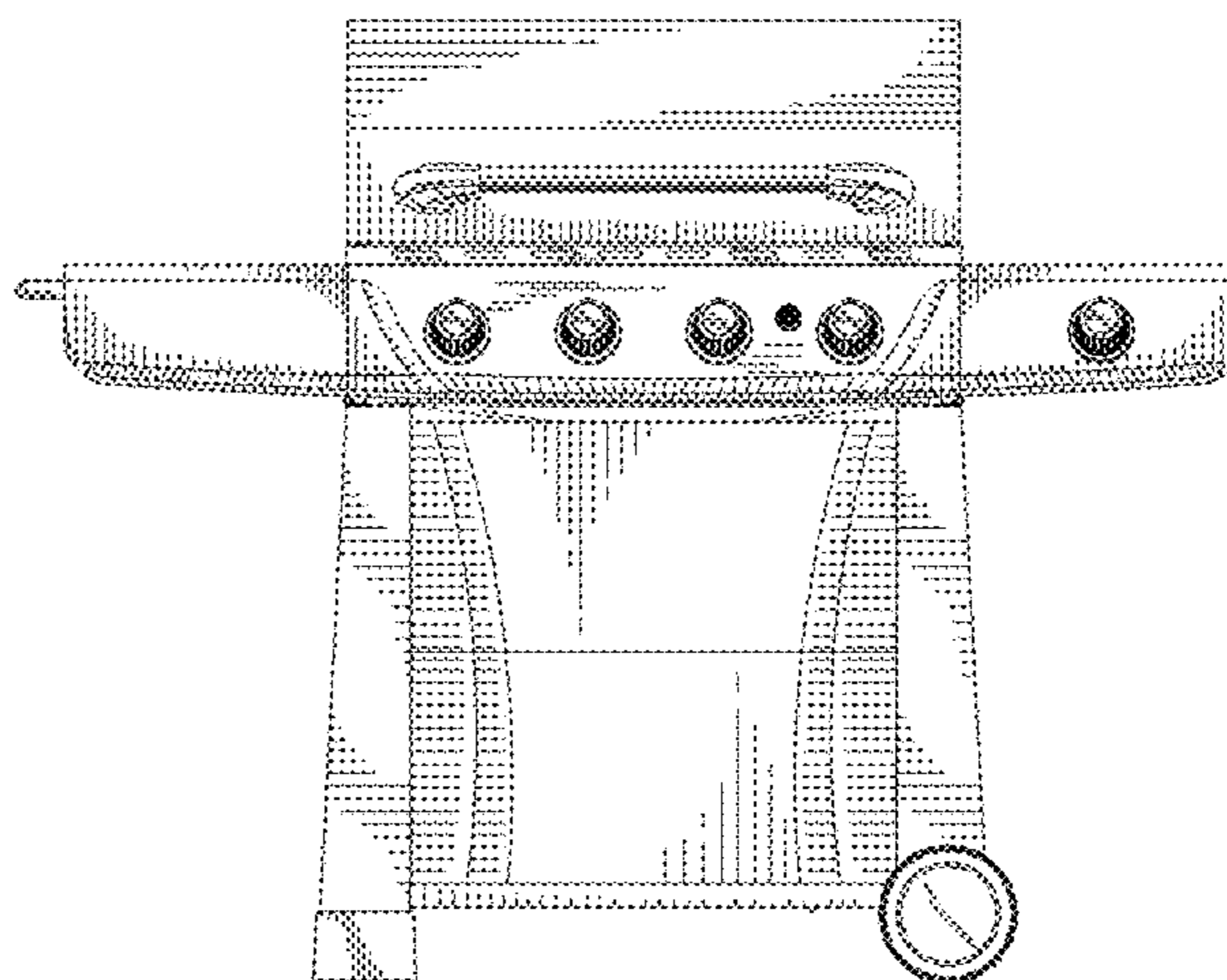
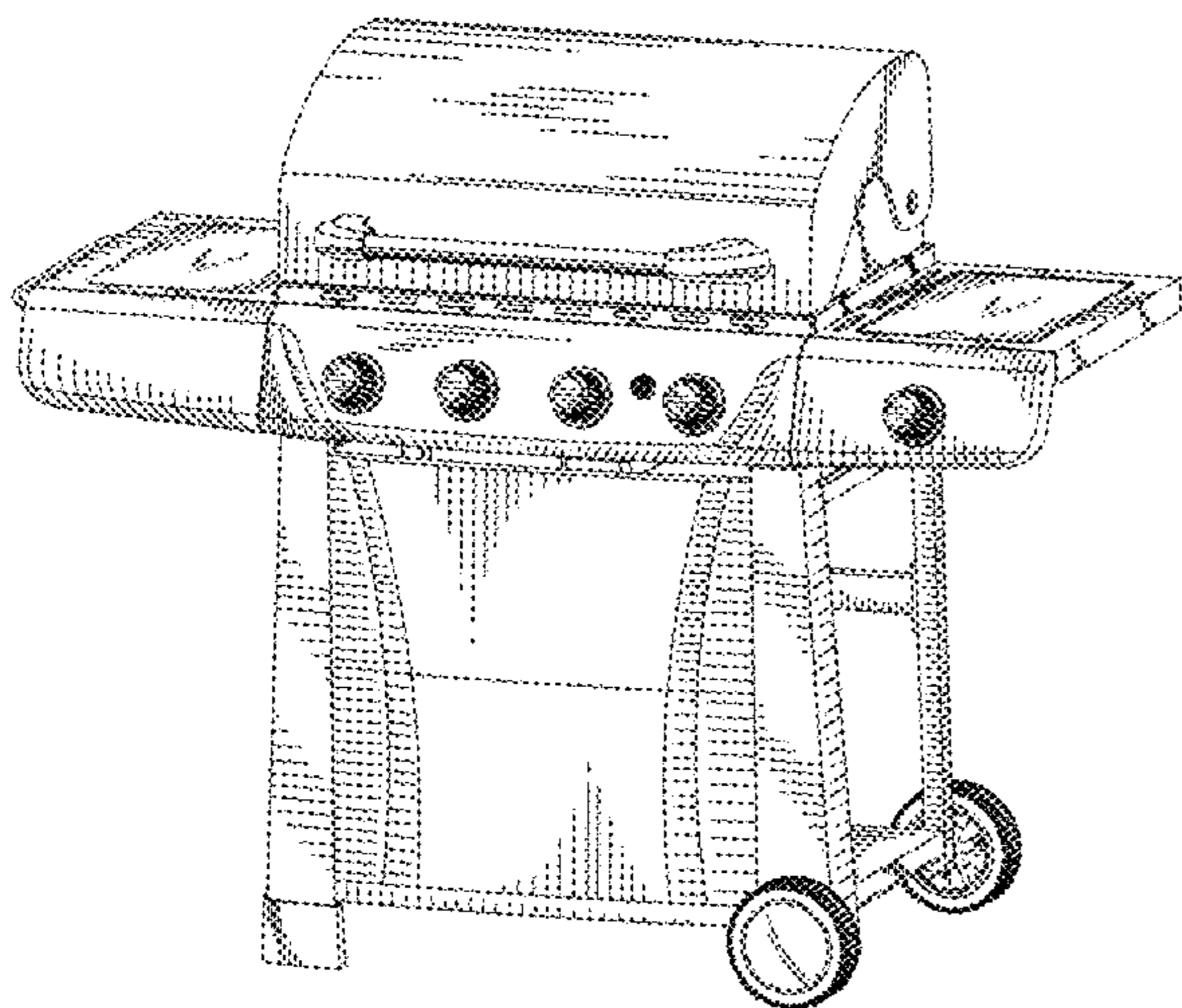
FIG. 5 is a right side elevational view thereof;

FIG. 6 is a top plan view thereof; and,

FIG. 7 is a bottom plan view thereof.

The details shown in broken lines are for environmental purposes only and form no part of the claimed design.

1 Claim, 7 Drawing Sheets



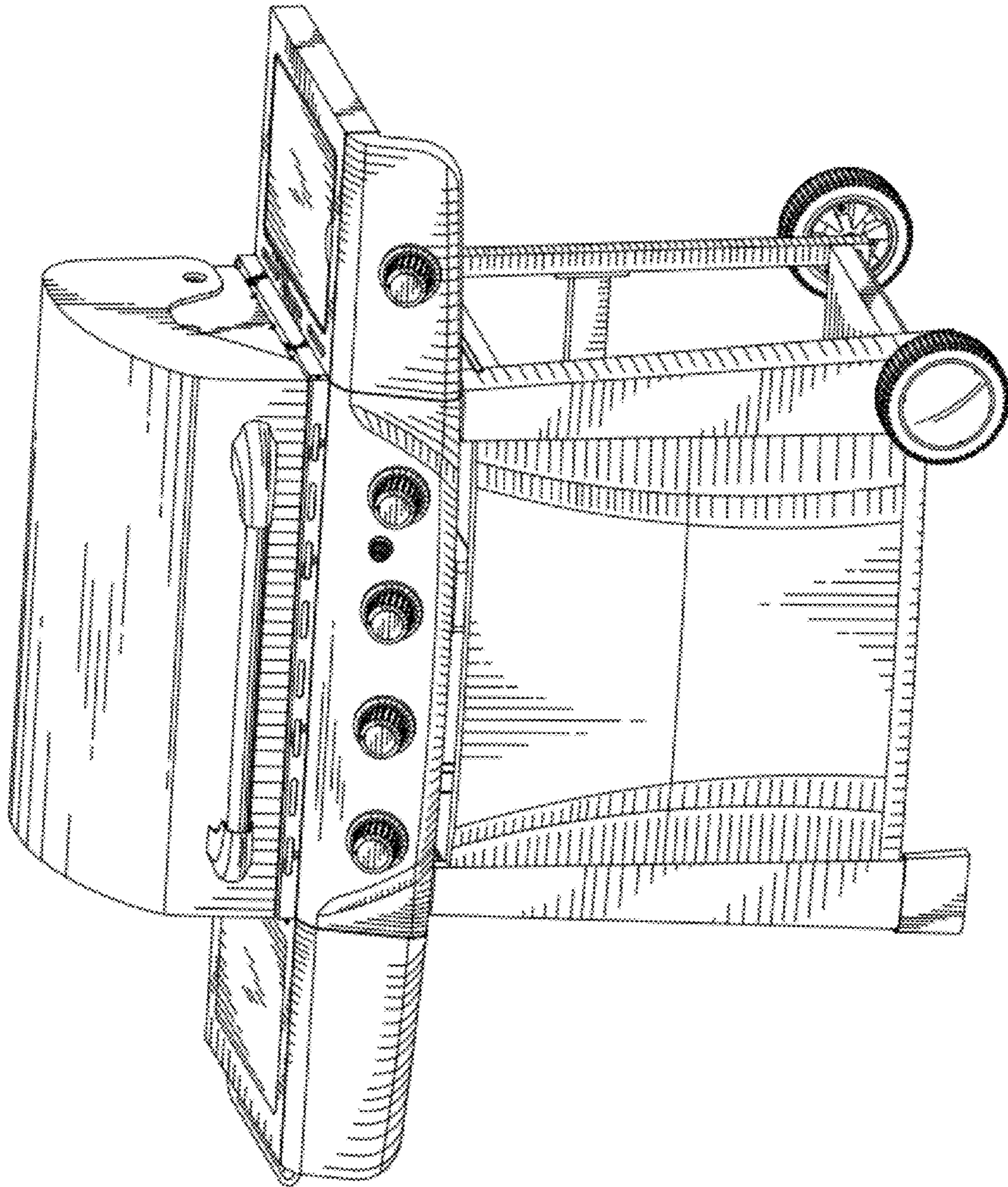


FIG. 1

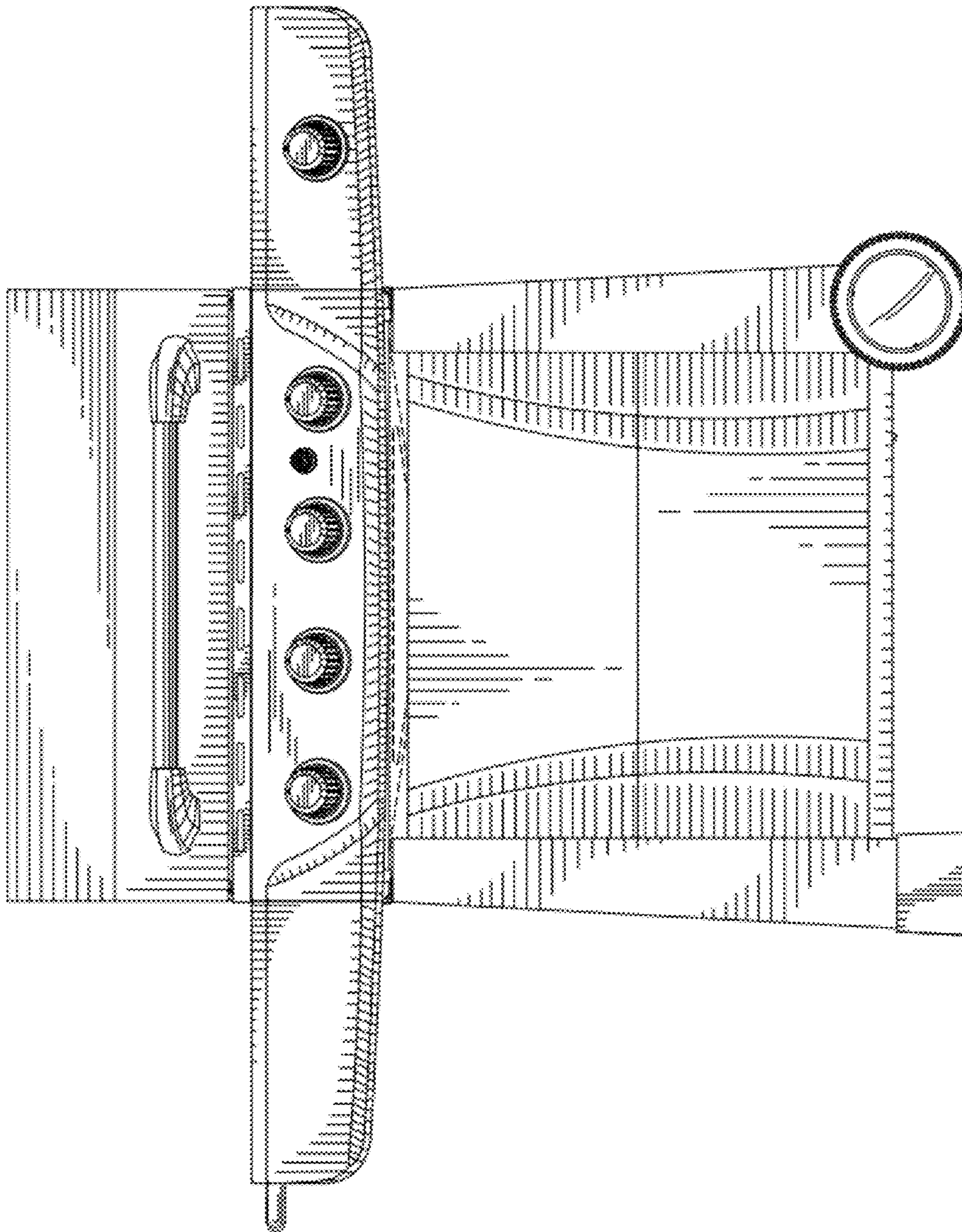


FIG. 2

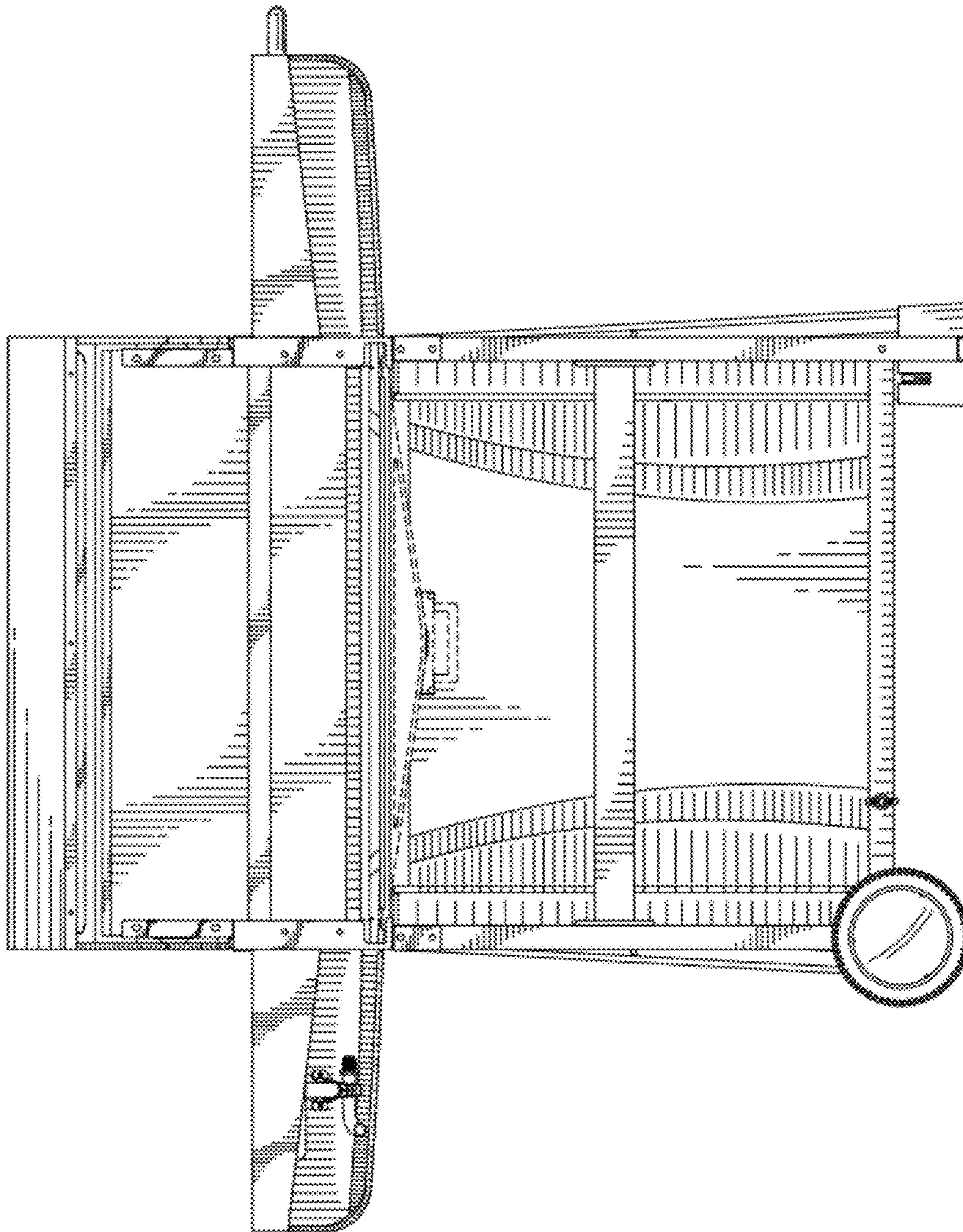


FIG. 3

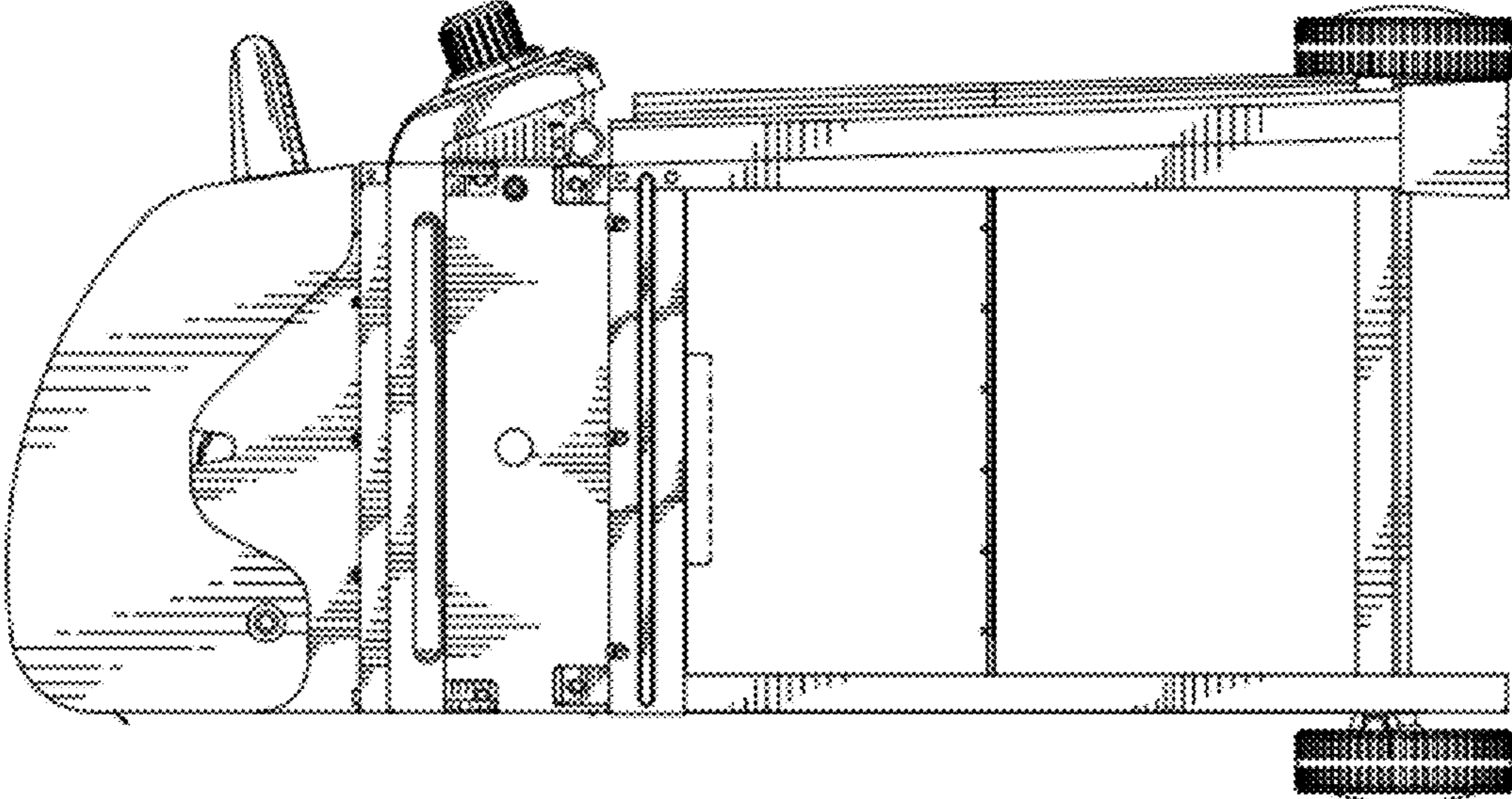


FIG. 4

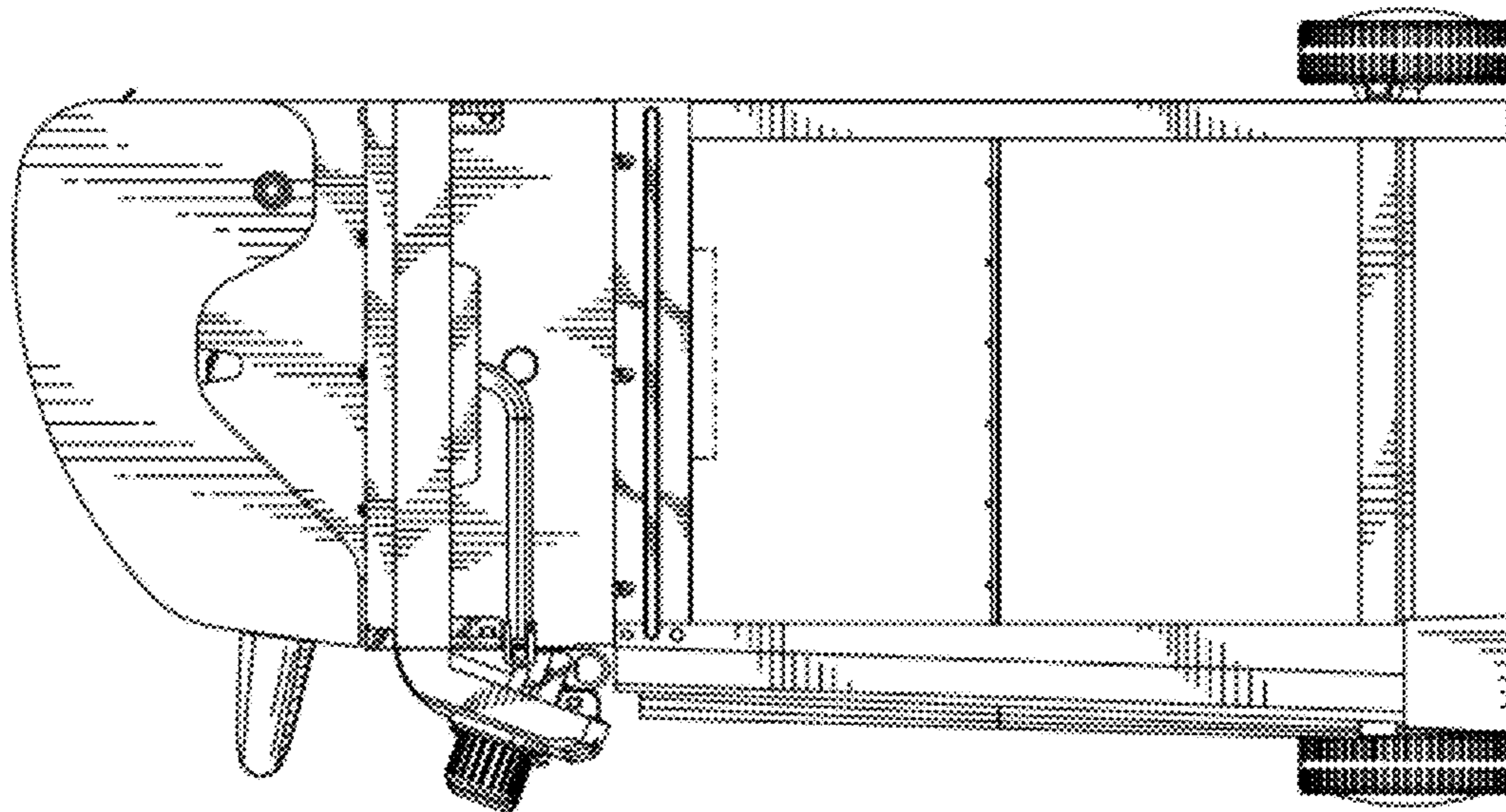


FIG. 5

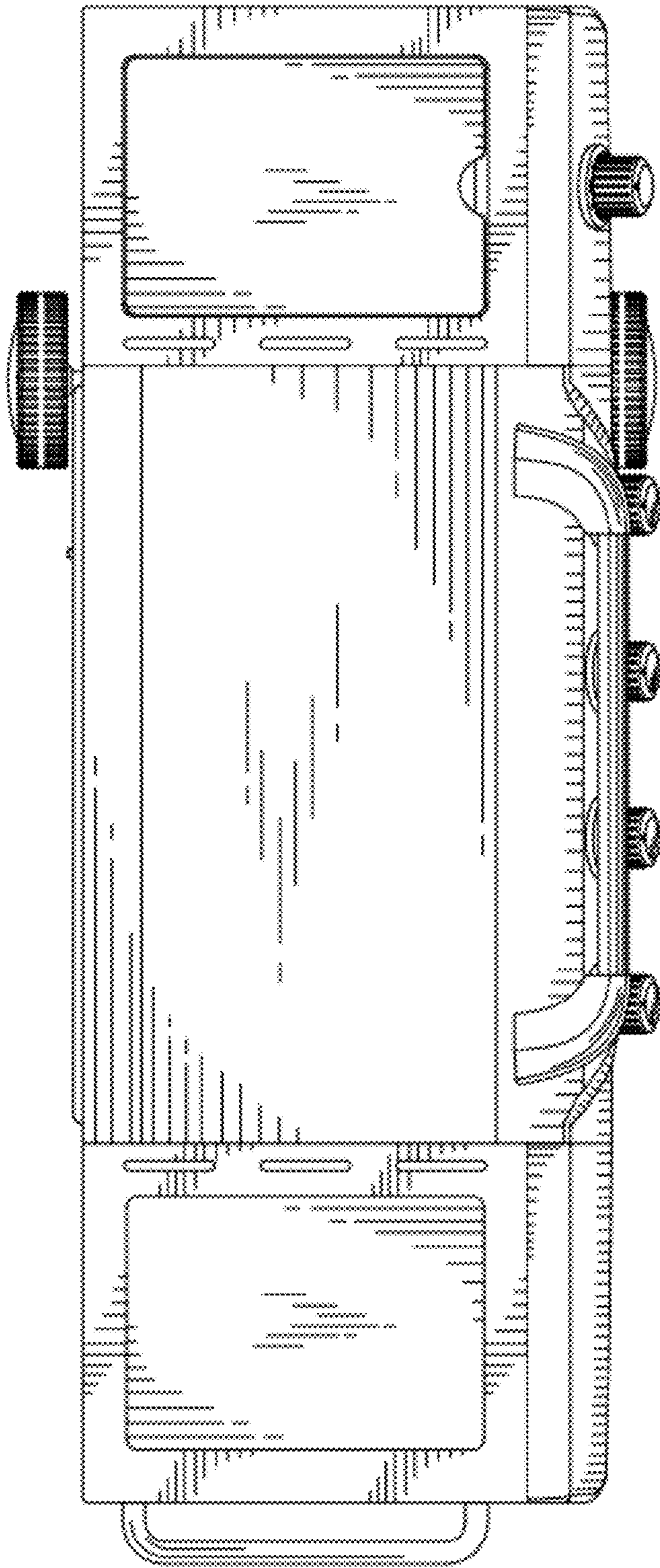


FIG. 6

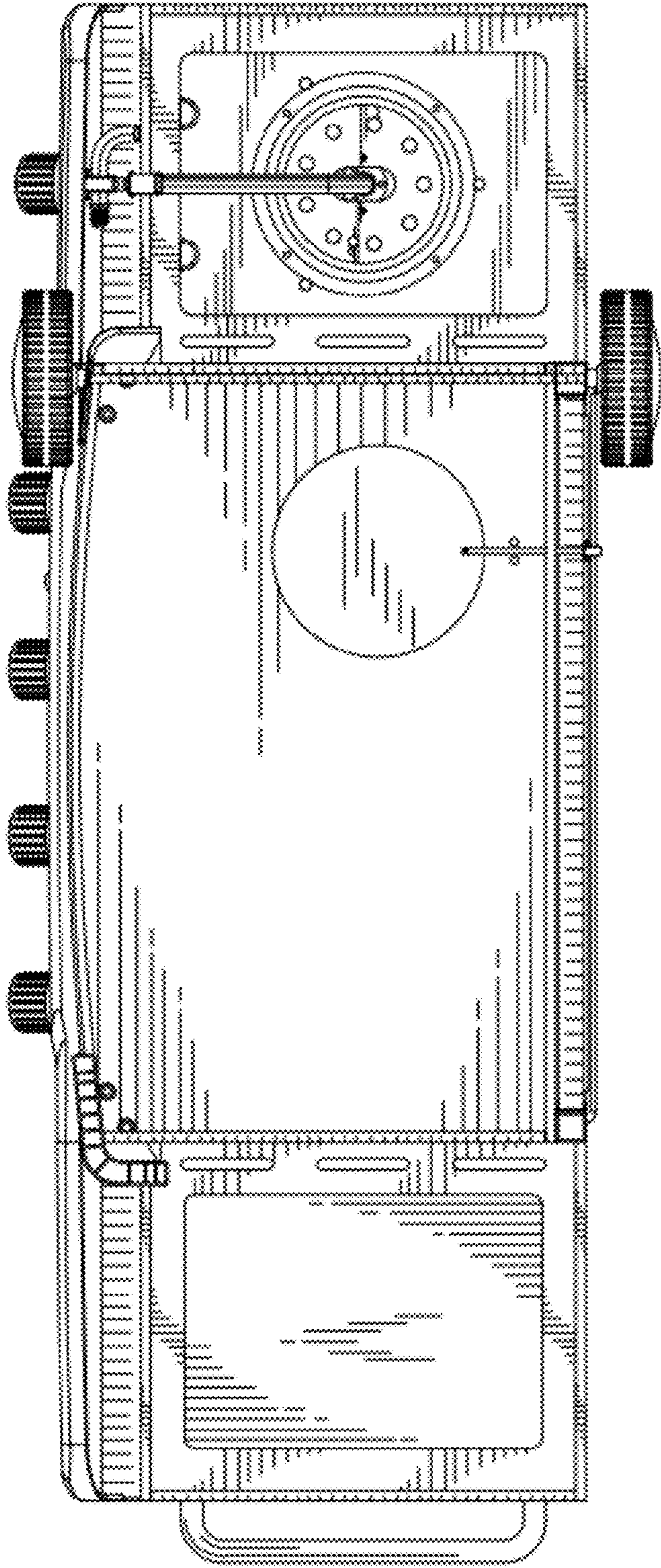


FIG. 7