

US00D660072S

(12) **United States Design Patent**  
**Makhanlall et al.**

(10) **Patent No.:** **US D660,072 S**  
(45) **Date of Patent:** **\*\* May 22, 2012**

(54) **COFFEE MAKER**

(75) Inventors: **Linda Makhanlall**, Royal Palm Beach, FL (US); **Giovanni Pino**, Delray Beach, FL (US); **Siarhei Murauyou**, Chicago, IL (US); **Marianne Grisdale**, Chicago, IL (US)

(73) Assignee: **Sunbeam Products, Inc.**, Boca Raton, FL (US)

(\*\*) Term: **14 Years**

(21) Appl. No.: **29/387,256**

(22) Filed: **Mar. 10, 2011**

(51) **LOC (9) Cl.** ..... **07-01**

(52) **U.S. Cl.** ..... **D7/309; D7/311**

(58) **Field of Classification Search** ..... D7/300,  
D7/309-311, 306-308; 99/300, 307  
See application file for complete search history.

(56) **References Cited**

**U.S. PATENT DOCUMENTS**

6,009,793	A *	1/2000	Blankenship et al.	.....	99/307
D442,012	S *	5/2001	Haring et al.	.....	D7/309
D445,627	S *	7/2001	Naft et al.	.....	D7/309
D454,466	S *	3/2002	Hong	.....	D7/309

6,586,710	B2 *	7/2003	Williamson	.....	219/433
D515,347	S *	2/2006	Reuss, Jr. et al.	.....	D7/309
D564,280	S *	3/2008	Ting et al.	.....	D7/309
D600,493	S *	9/2009	Pino et al.	.....	D7/309
D610,388	S *	2/2010	Hazan et al.	.....	D7/306
D620,302	S *	7/2010	Picozza et al.	.....	D7/309
D627,188	S *	11/2010	Picozza et al.	.....	D7/309

\* cited by examiner

*Primary Examiner* — Marianne Pandozzi

(74) *Attorney, Agent, or Firm* — Michael J. Corrigan

(57) **CLAIM**

The ornamental design for the coffee maker, as shown and described.

**DESCRIPTION**

FIG. 1 is a front perspective view of a coffee maker showing our new design;  
FIG. 2 is a front view thereof;  
FIG. 3 is a rear view thereof;  
FIG. 4 is a left side view thereof;  
FIG. 5 is a right side view thereof;  
FIG. 6 is a top view thereof; and,  
FIG. 7 is a bottom view thereof.  
The broken lines in the drawings are included for the purpose of illustration and form no part of the claimed design.

**1 Claim, 4 Drawing Sheets**

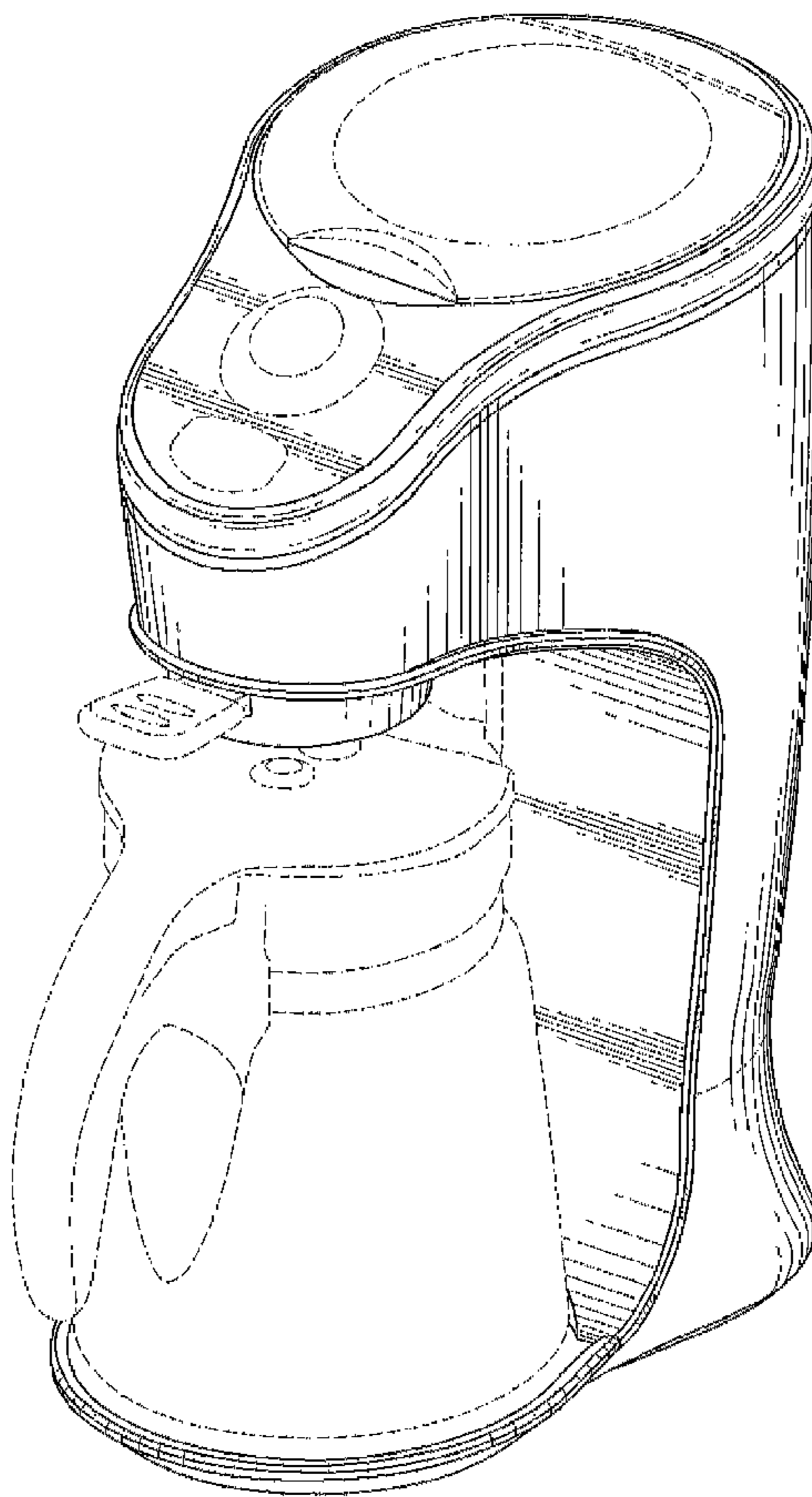


FIG. 1

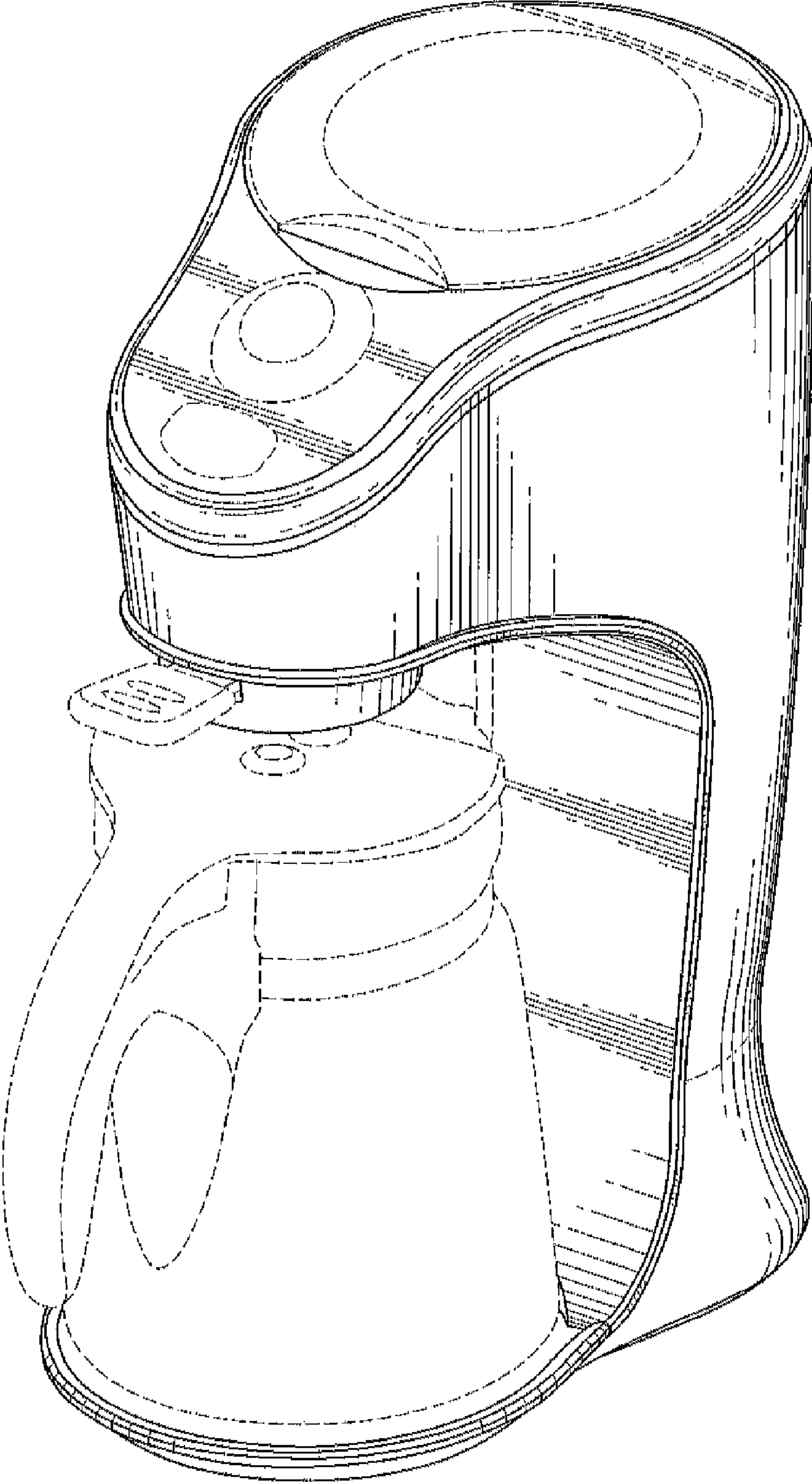


FIG. 3

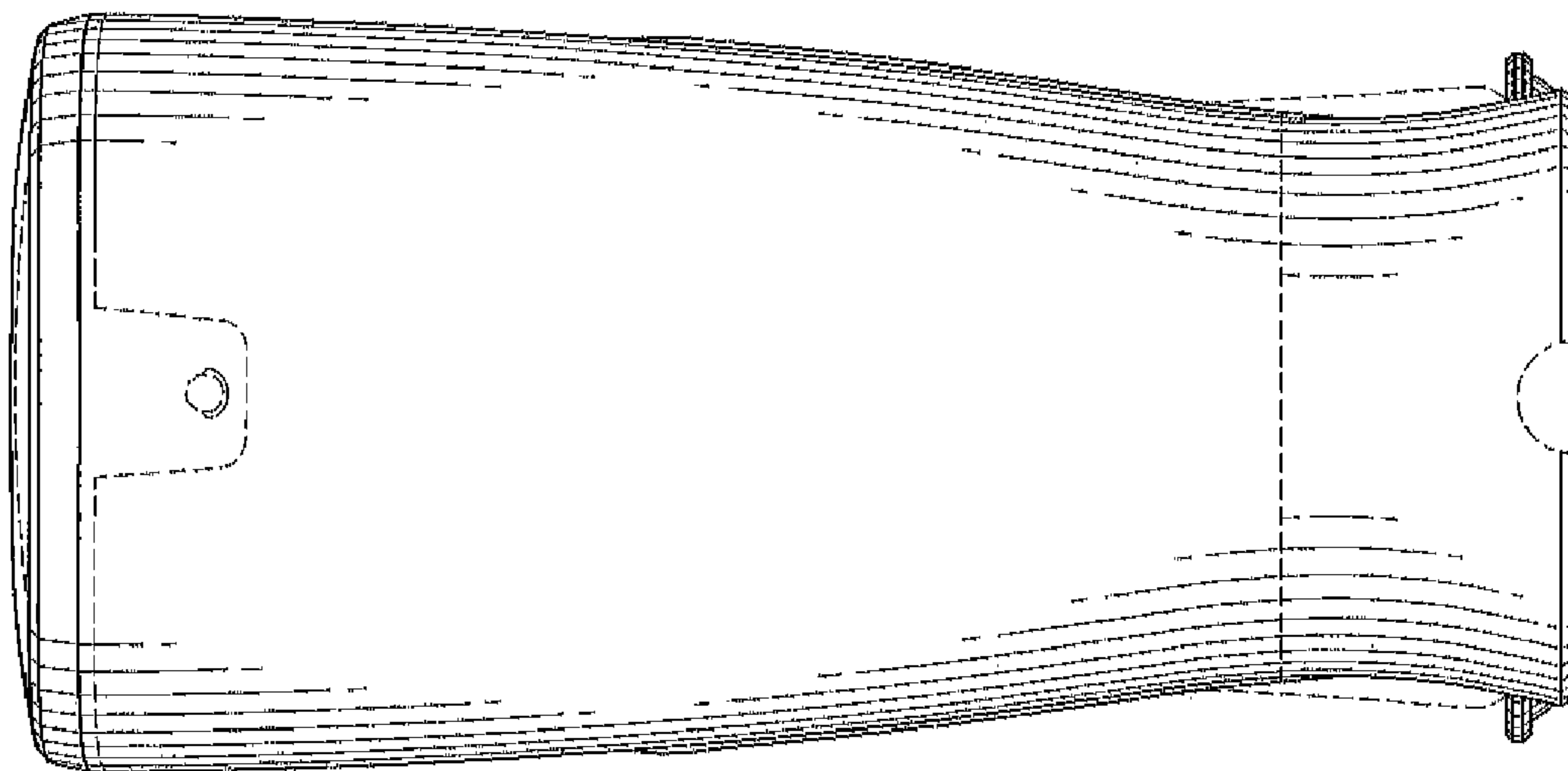


FIG. 2

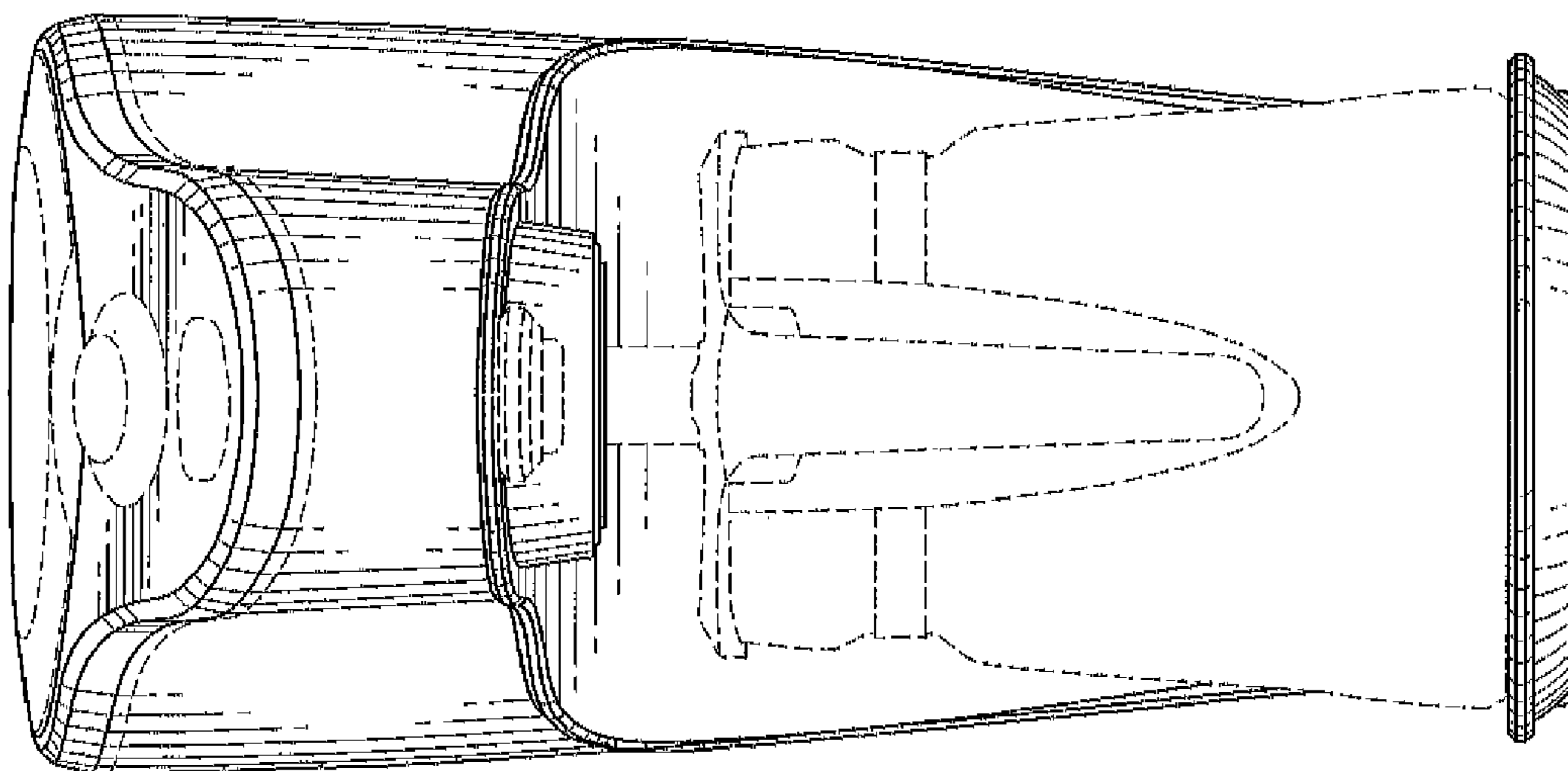


FIG. 5

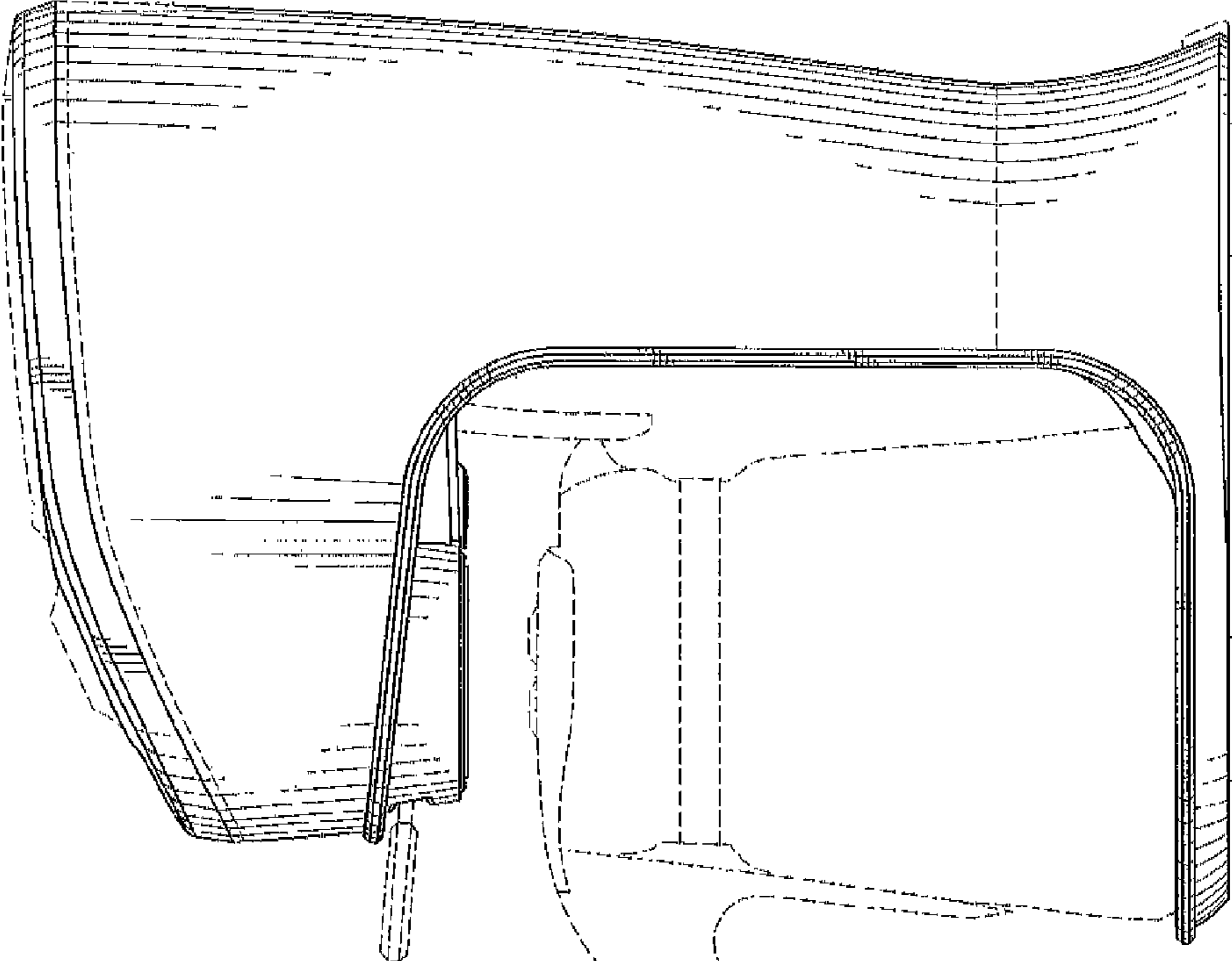


FIG. 4

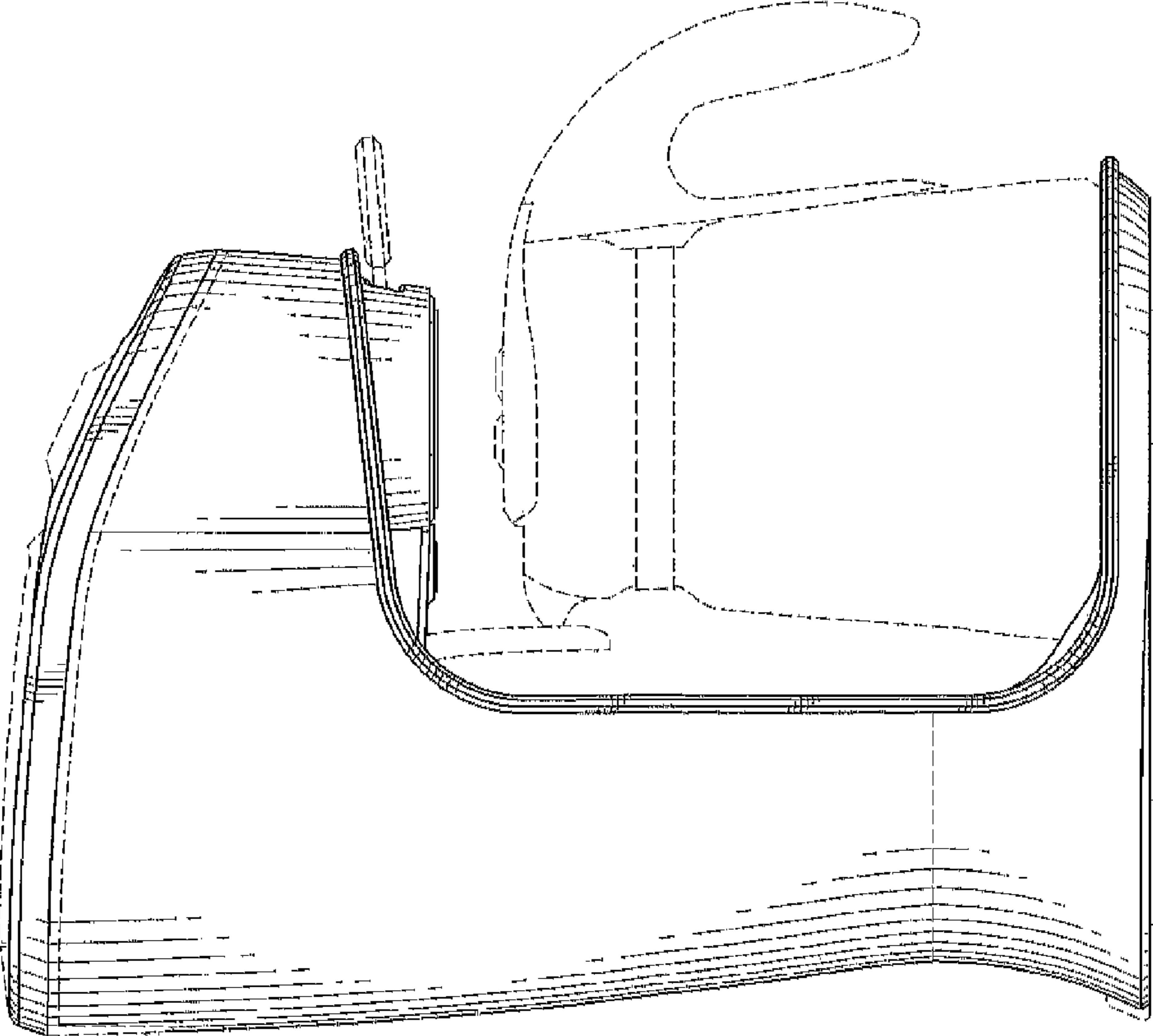


FIG. 6

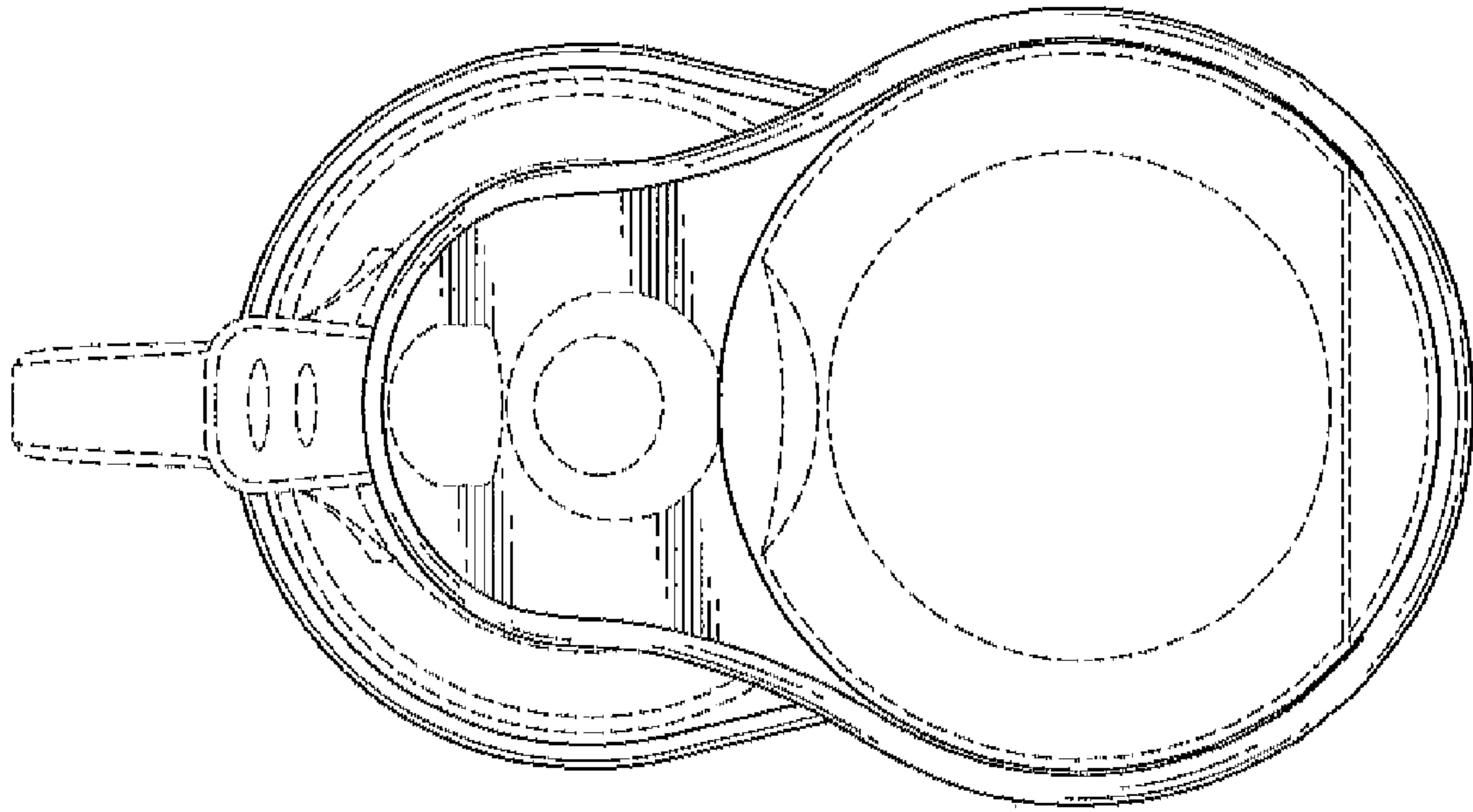


FIG. 7

