



US00D660067S

(12) **United States Design Patent**
Di Stefano

(10) **Patent No.:** **US D660,067 S**
(45) **Date of Patent:** **** May 22, 2012**

(54) **HOUSING FOR A SCREEN TENSIONING MECHANISM**

(76) Inventor: **Carmelo Joseph Licciardi Di Stefano**,
Broadmeadows (AU)

(**) Term: **14 Years**

(21) Appl. No.: **29/386,921**

(22) Filed: **Mar. 7, 2011**

(30) **Foreign Application Priority Data**

Sep. 9, 2010 (AU) 13929/2010

(51) **LOC (9) Cl.** **06-10**

(52) **U.S. Cl.** **D6/580**

(58) **Field of Classification Search** D6/575,
D6/576-581; 52/236.1, 236.2; 160/118,
160/168.1 R, 168.1 V, 173 R, 176.1 V, 178.3,
160/236, 349.1, 330, 371, 381; 16/1 R; D8/377;
D25/122; 414/510; 606/74, 263, 327; D12/571
See application file for complete search history.

(56) **References Cited**

U.S. PATENT DOCUMENTS

D506,096 S * 6/2005 Allsopp D6/580
D518,326 S * 4/2006 Allsopp D6/580
D530,558 S * 10/2006 Damiano D6/580
D622,994 S * 9/2010 Chou D6/580
D631,275 S * 1/2011 Barnes D6/580

D639,098 S * 6/2011 Bosgoed D6/580
D647,462 S * 10/2011 Bestgen et al. D12/571
D650,623 S * 12/2011 Di Stefano D6/580
2007/0006977 A1 1/2007 Lampe
2008/0017327 A1 1/2008 Lamers et al.

FOREIGN PATENT DOCUMENTS

FR 2854195 10/2004
GB 999864 7/1965

* cited by examiner

Primary Examiner — Susan Bennett Hattan

Assistant Examiner — Barbara B Lohr

(74) *Attorney, Agent, or Firm* — Head, Johnson &
Kachigian, P.C.

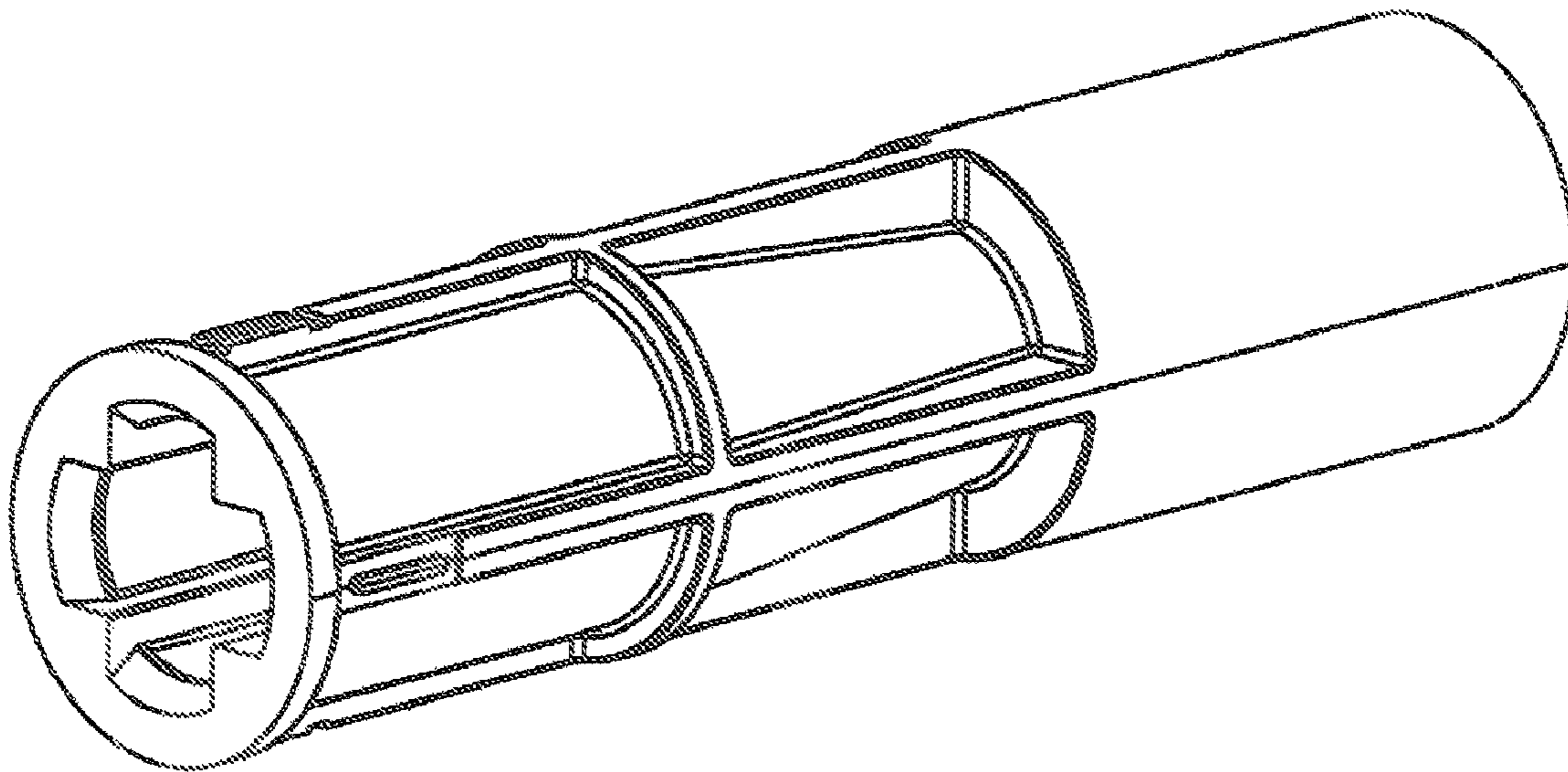
(57) **CLAIM**

The design for a housing for a screen tensioning mechanism,
as shown and described.

DESCRIPTION

FIG. 1 is a front perspective view of the housing for a screen tensioning mechanism;
FIG. 2 is a rear perspective view thereof;
FIG. 3 is a left side view thereof;
FIG. 4 is a right side view thereof;
FIG. 5 is a top view thereof;
FIG. 6 is a bottom view thereof;
FIG. 7 is a front end view thereof; and,
FIG. 8 is a rear end view thereof.

1 Claim, 5 Drawing Sheets



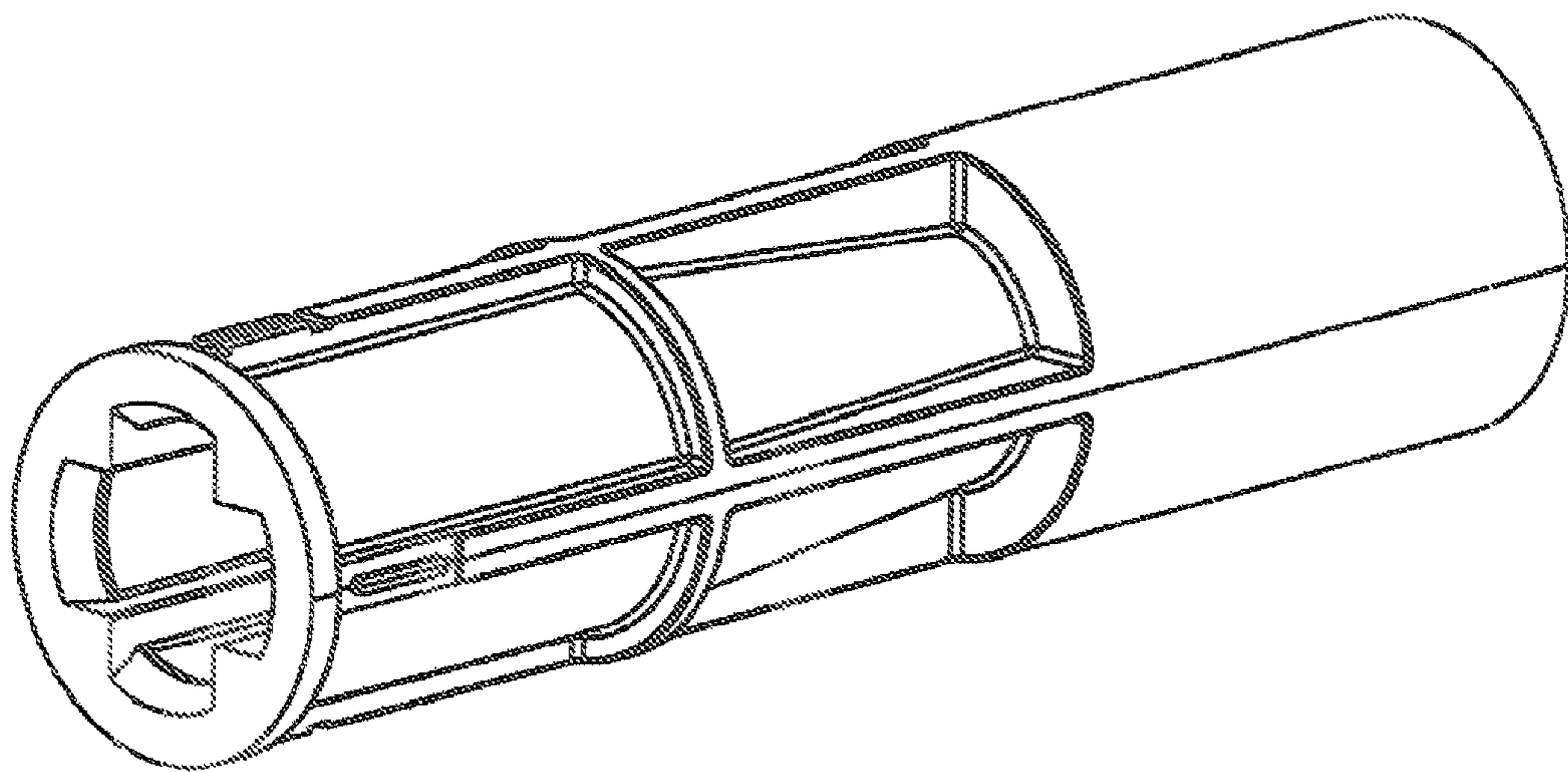


FIGURE 1

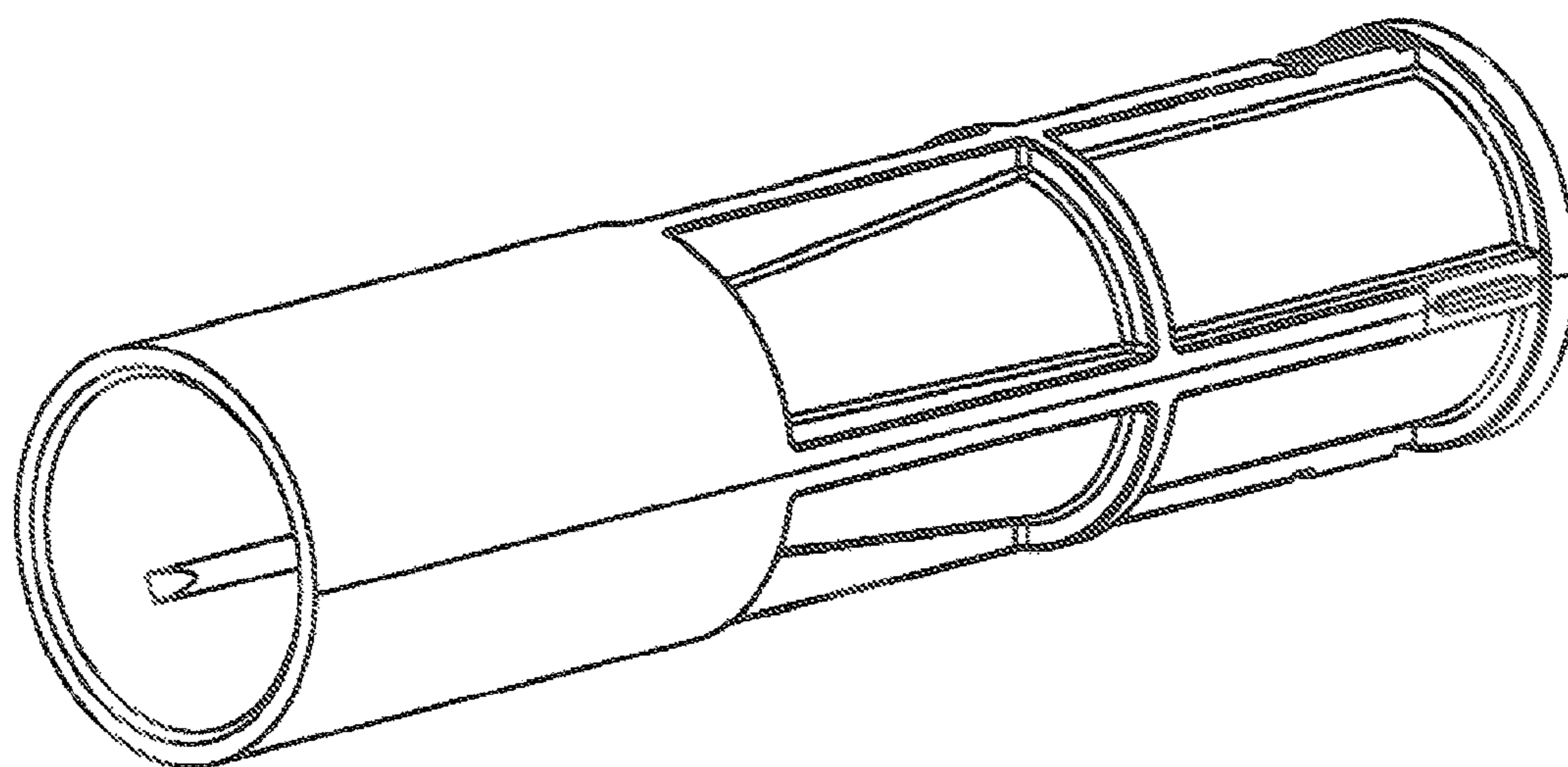


FIGURE 2

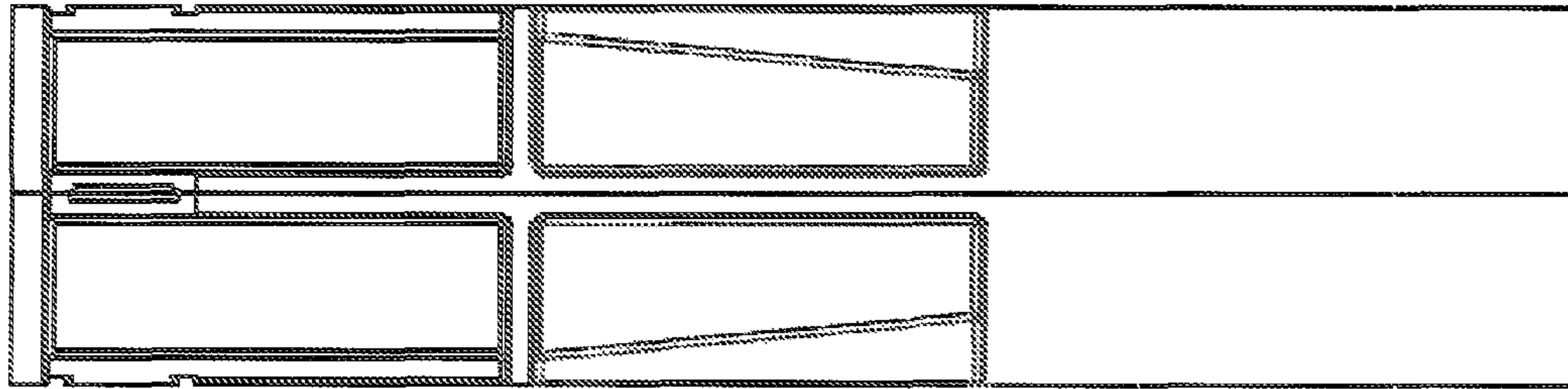


FIGURE 3

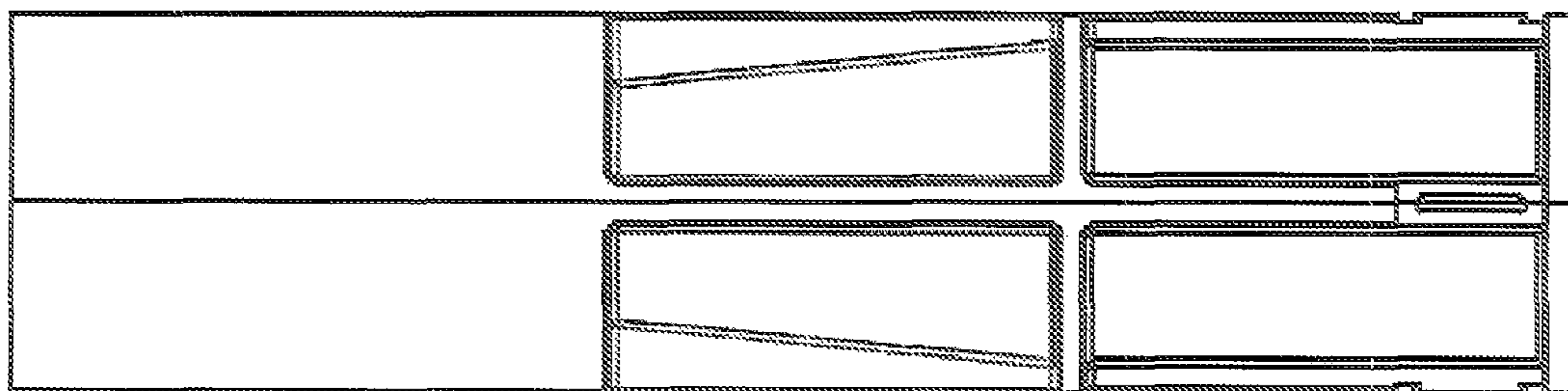


FIGURE 4

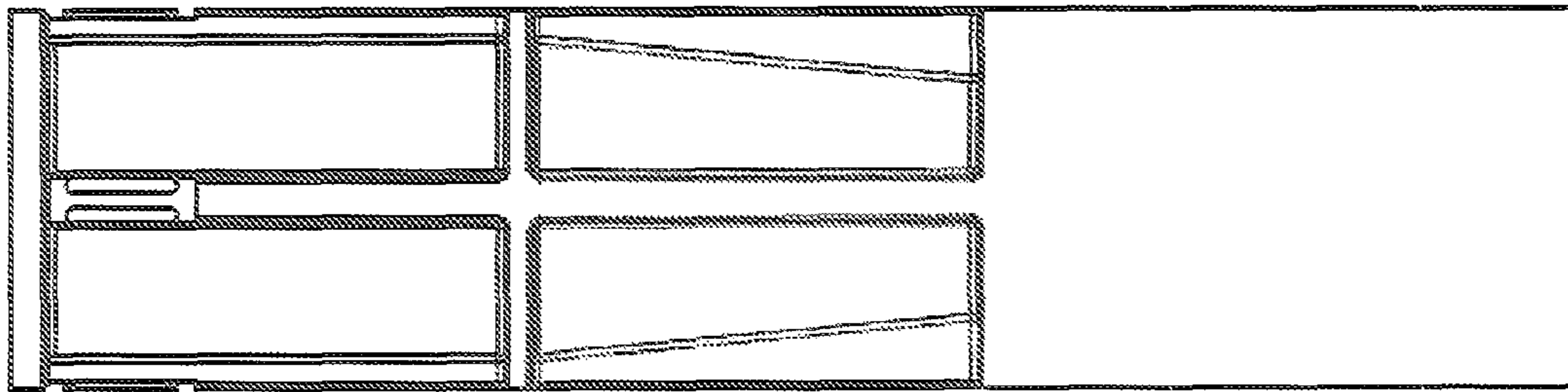


FIGURE 5

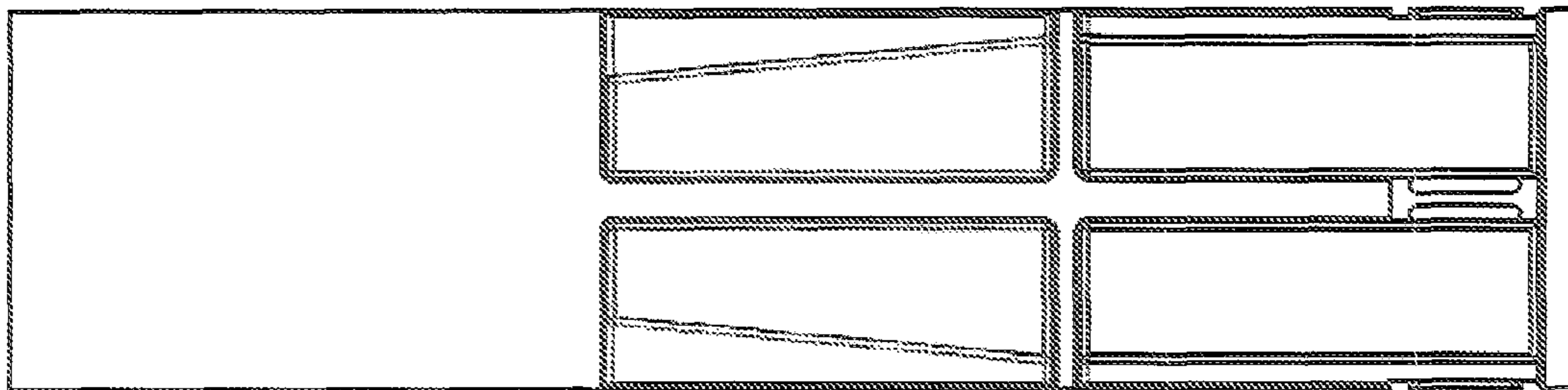


FIGURE 6

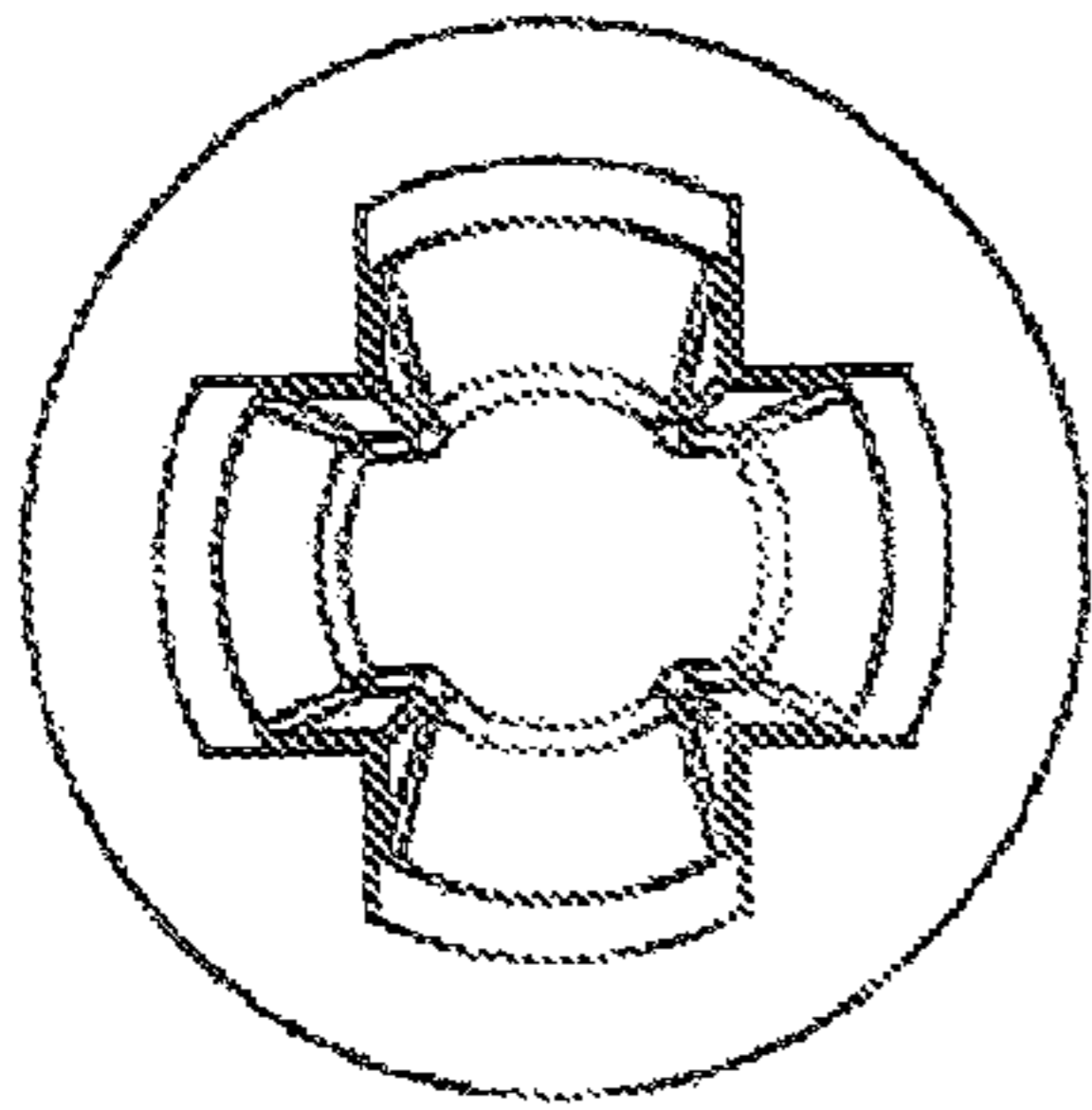


FIGURE 7

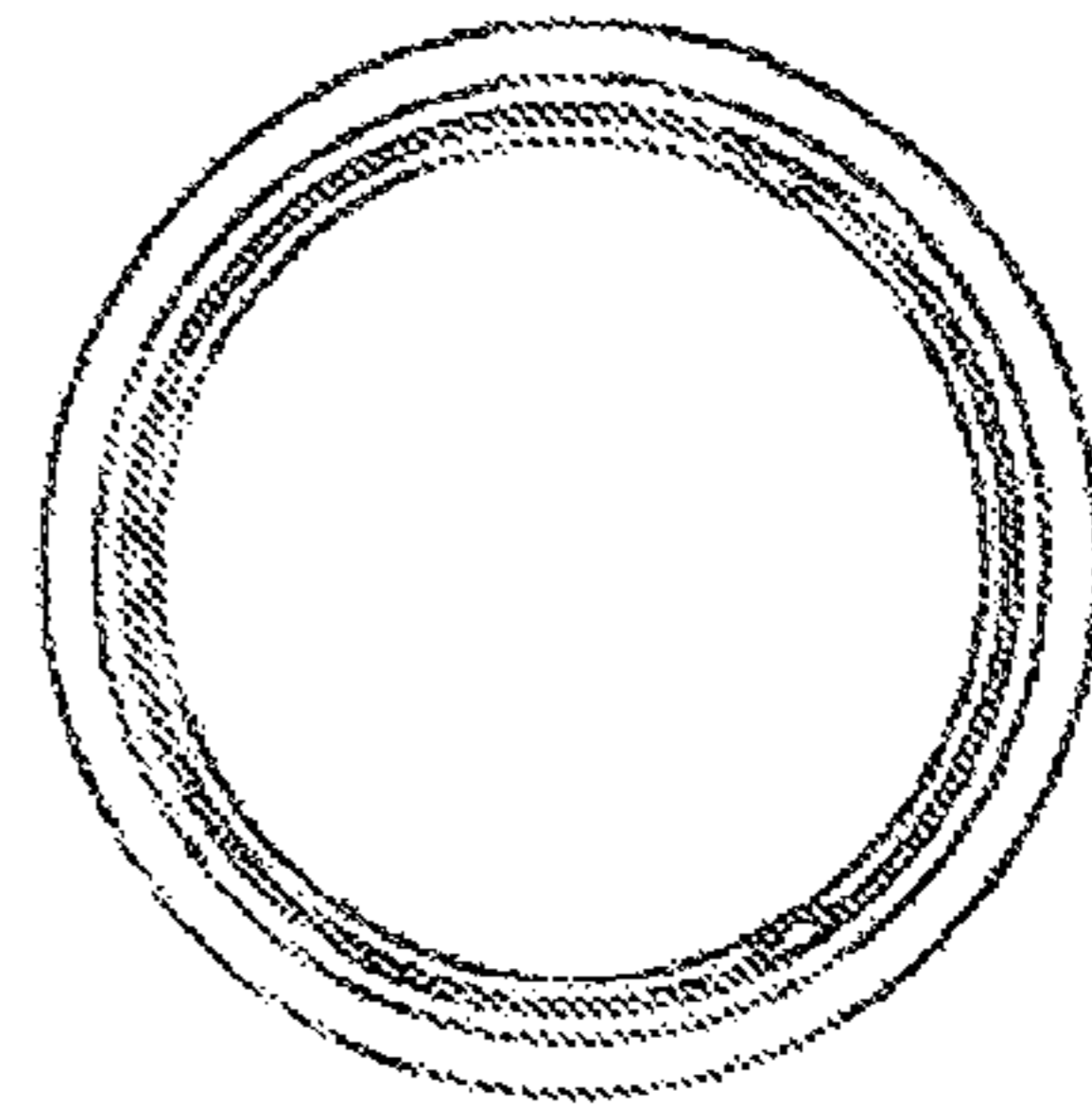


FIGURE 8