

US00D660064S

(12) **United States Design Patent**
Webb et al.

(10) **Patent No.:** **US D660,064 S**

(45) **Date of Patent:** **** May 22, 2012**

(54) **DISPLAY FIXTURE**

(75) Inventors: **Joseph Webb**, Wilmington, DE (US);
Kaveh Didehvar, Hockessin, DE (US)

(73) Assignee: **Zenith Products Corporation**, New
Castle, DE (US)

(**) Term: **14 Years**

(21) Appl. No.: **29/403,446**

(22) Filed: **Oct. 6, 2011**

(51) **LOC (9) Cl.** **06-04**

(52) **U.S. Cl.** **D6/566**

(58) **Field of Classification Search** D6/552,
D6/553, 566, 567, 572, 512-514; D8/349,
D8/354, 363, 367, 372, 373; 211/13.1, 30,
211/44, 86.01, 87.01, 90.03, 112, 119, 133.5,
211/181.1; 248/175, 200, 201, 205.1, 220.21,
248/220.31, 302, 303, 304, 307, 309.1, 309.2,
248/312

See application file for complete search history.

(56) **References Cited**

U.S. PATENT DOCUMENTS

D242,409 S * 11/1976 Enckler D8/373
4,858,862 A * 8/1989 Prader D6/566
4,863,131 A * 9/1989 Kinseley 248/312

D317,992 S * 7/1991 Miller D6/566
D330,987 S * 11/1992 Rosenthal D6/566
D380,638 S * 7/1997 Cohen et al. D6/566
D418,349 S * 1/2000 Schumacher D6/566
D483,592 S * 12/2003 Spanski et al. D6/566
D533,002 S * 12/2006 Recknagel et al. D6/566
D551,007 S * 9/2007 Trinko D6/566
D636,203 S * 4/2011 Kozak et al. D6/566
D639,592 S * 6/2011 Spencer et al. D6/566

* cited by examiner

Primary Examiner — Brian N. Vinson

(74) *Attorney, Agent, or Firm* — Panitch Schwarze Belisario
& Nadel LLP

(57) **CLAIM**

The ornamental design for a display fixture, as shown and
described.

DESCRIPTION

FIG. 1 is a front perspective view of a display fixture showing
our new design;

FIG. 2 is a top plan view thereof;

FIG. 3 is a bottom plan view thereof;

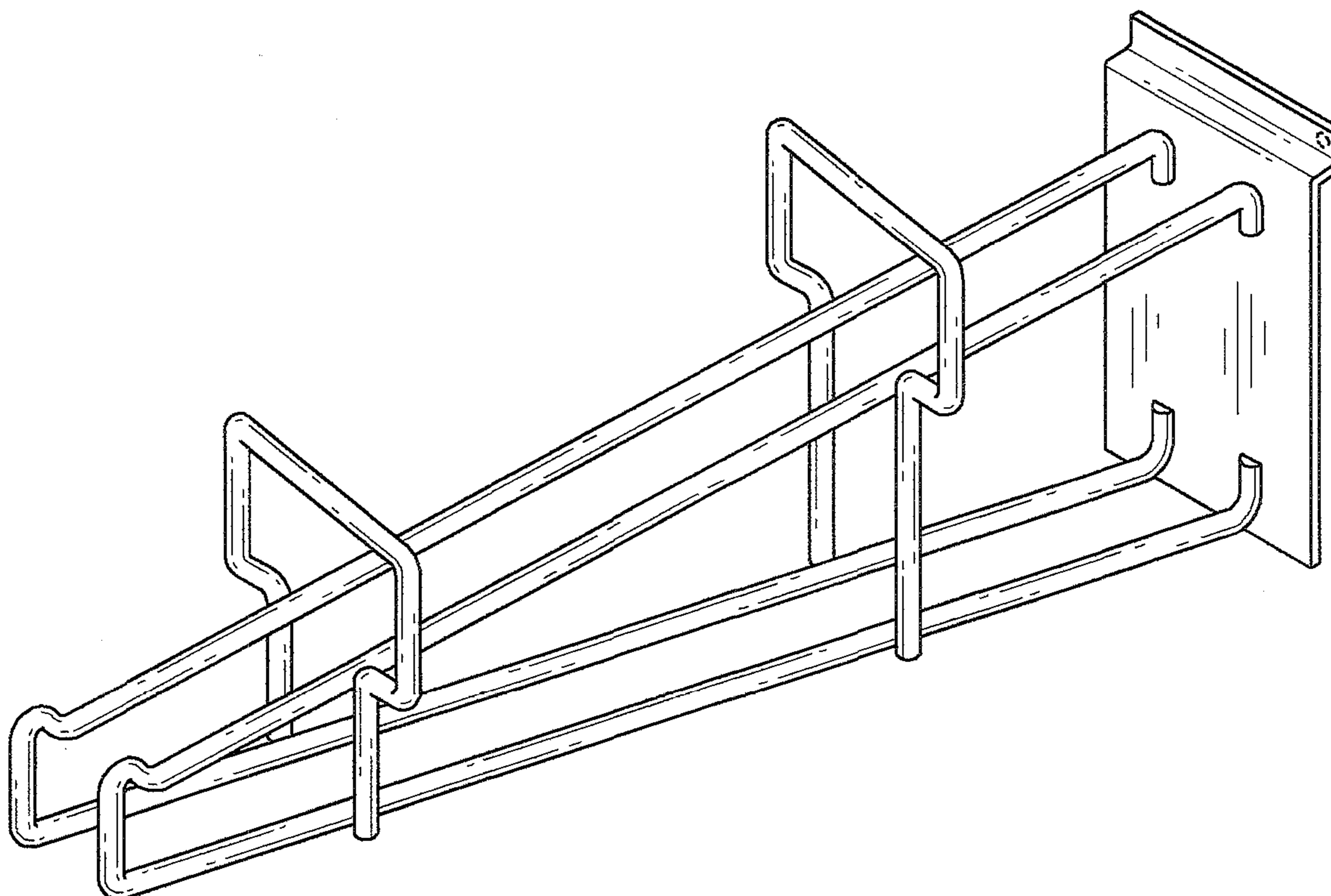
FIG. 4 is a front elevational view thereof;

FIG. 5 is a rear elevational view thereof;

FIG. 6 is a right side elevational view thereof; and,

FIG. 7 is a left side elevational view thereof.

1 Claim, 3 Drawing Sheets



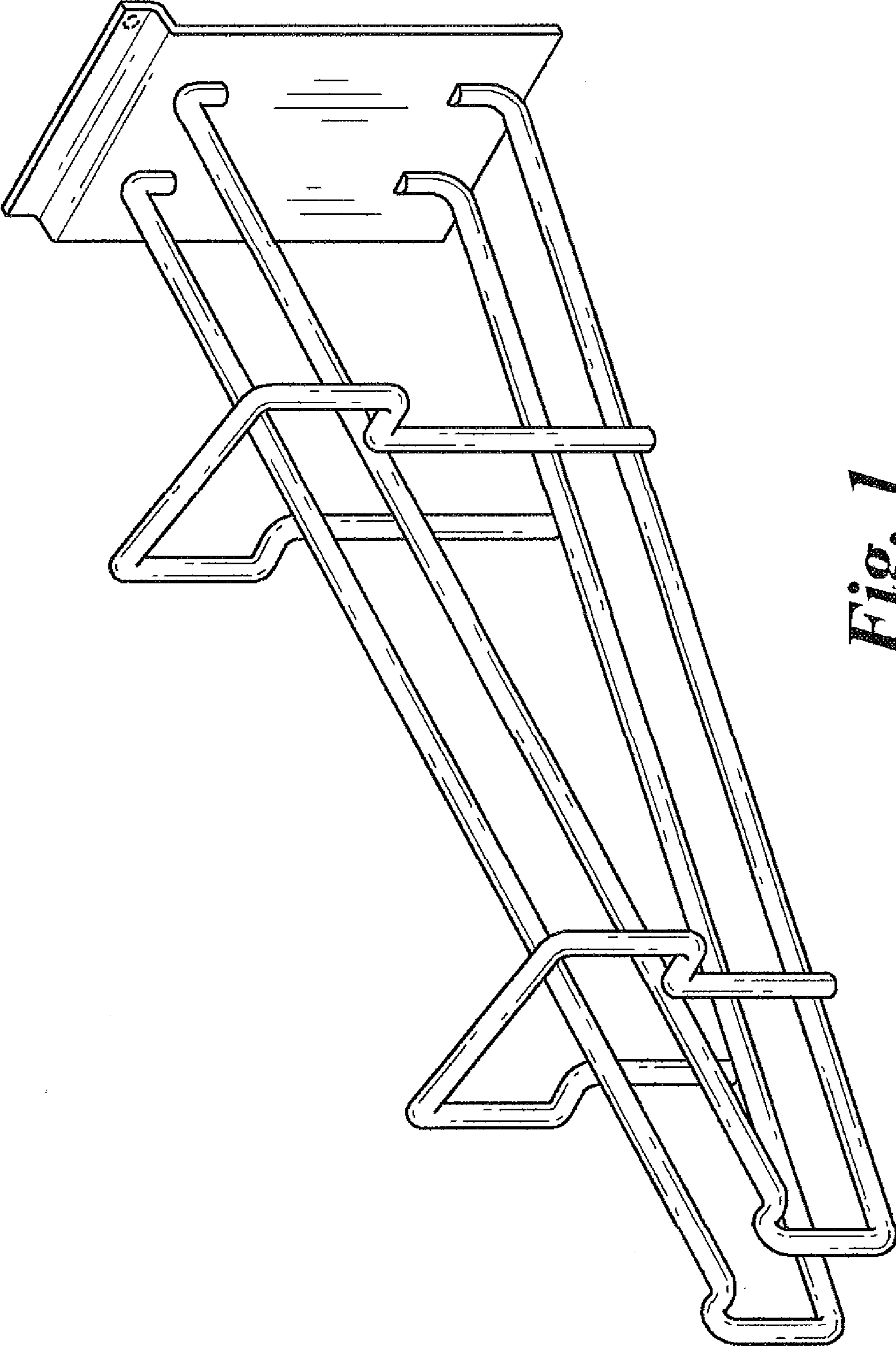


Fig. 1

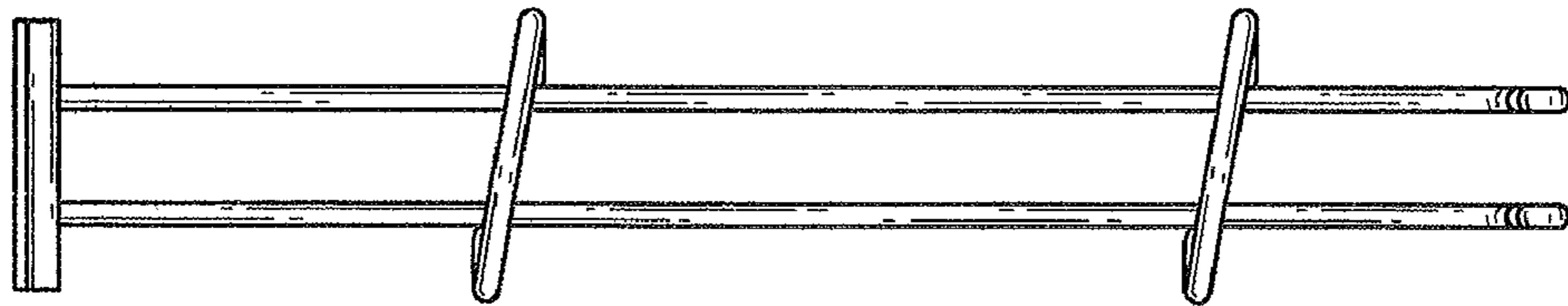


Fig. 2

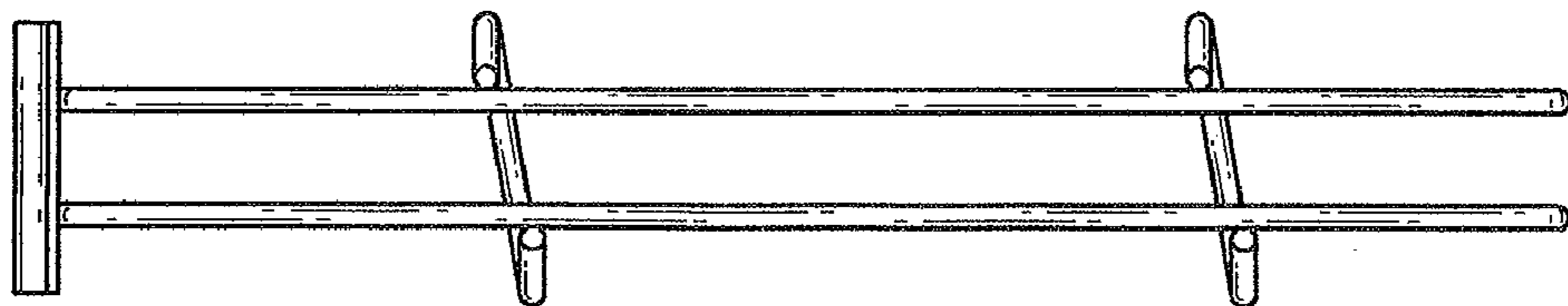


Fig. 3

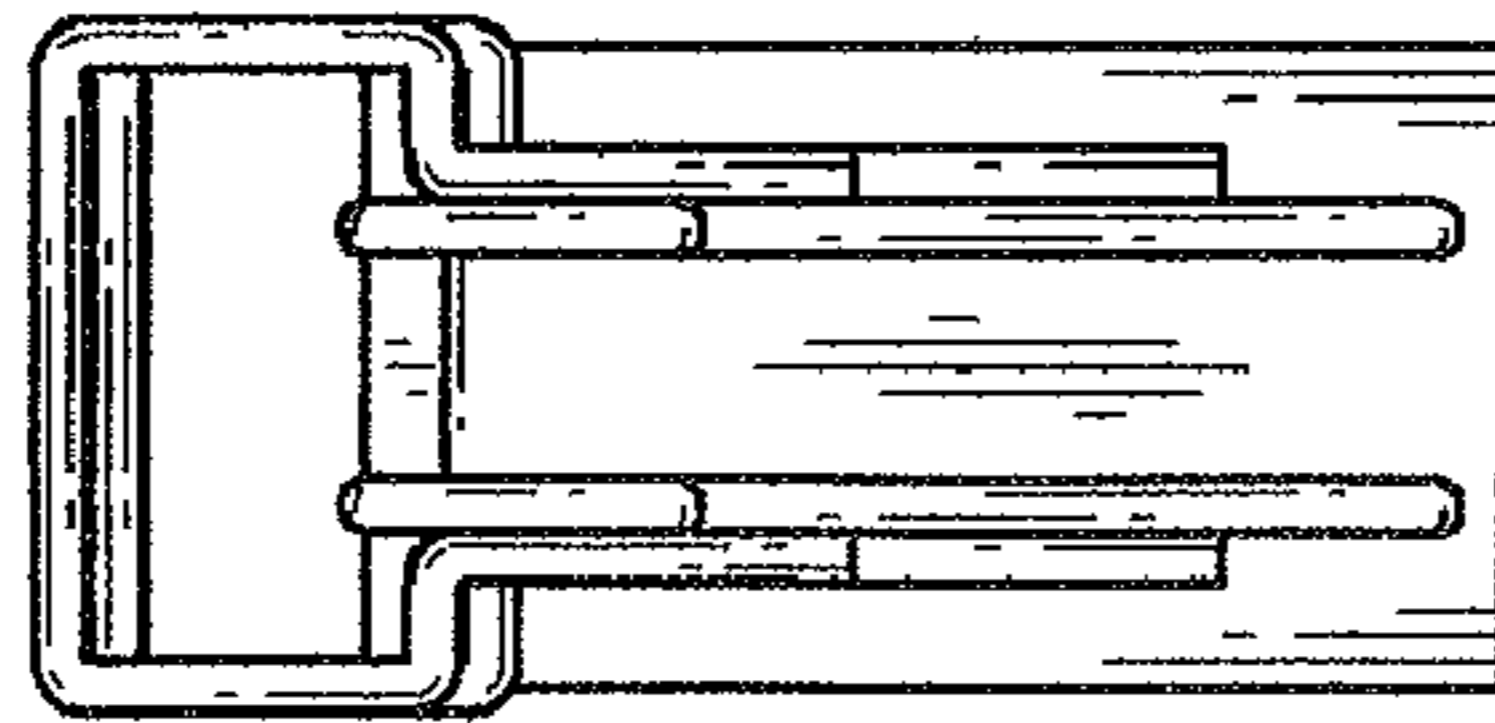


Fig. 4

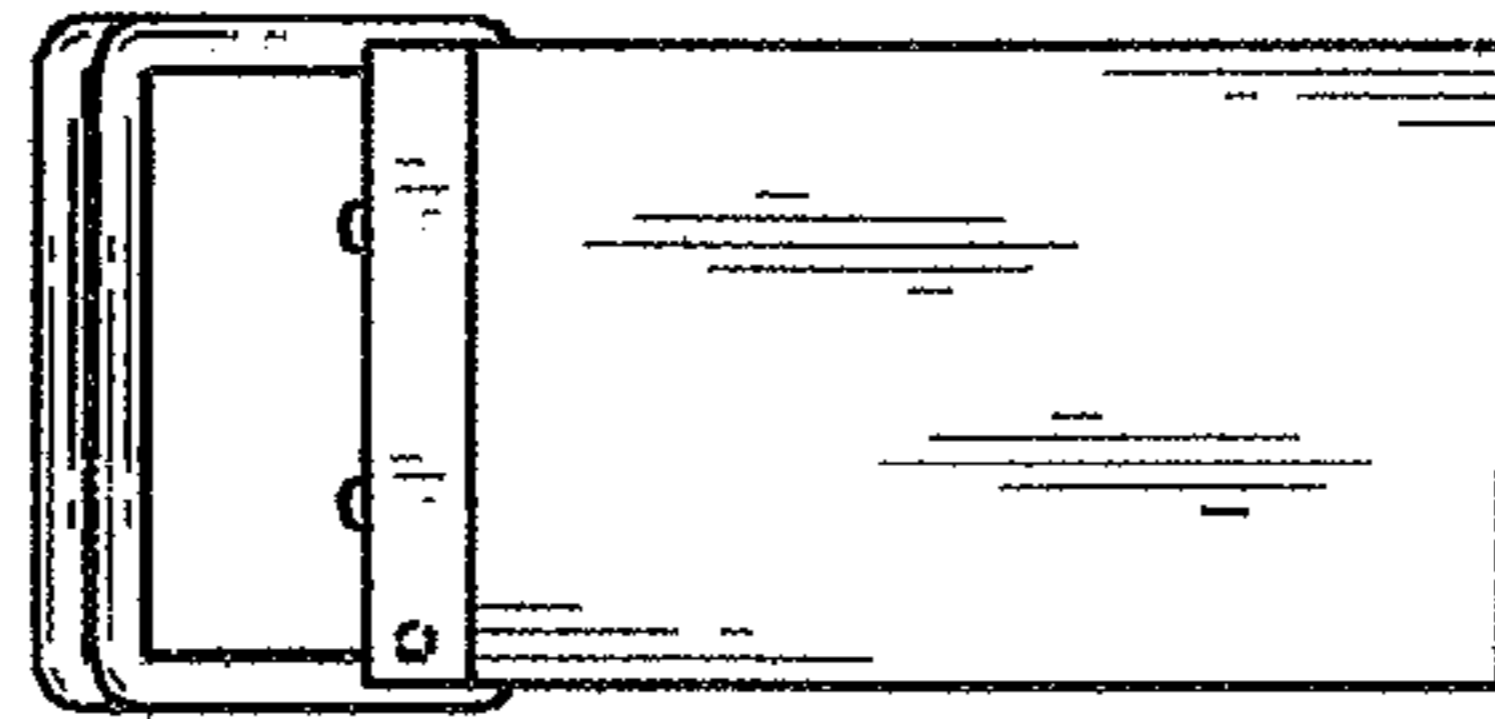


Fig. 5

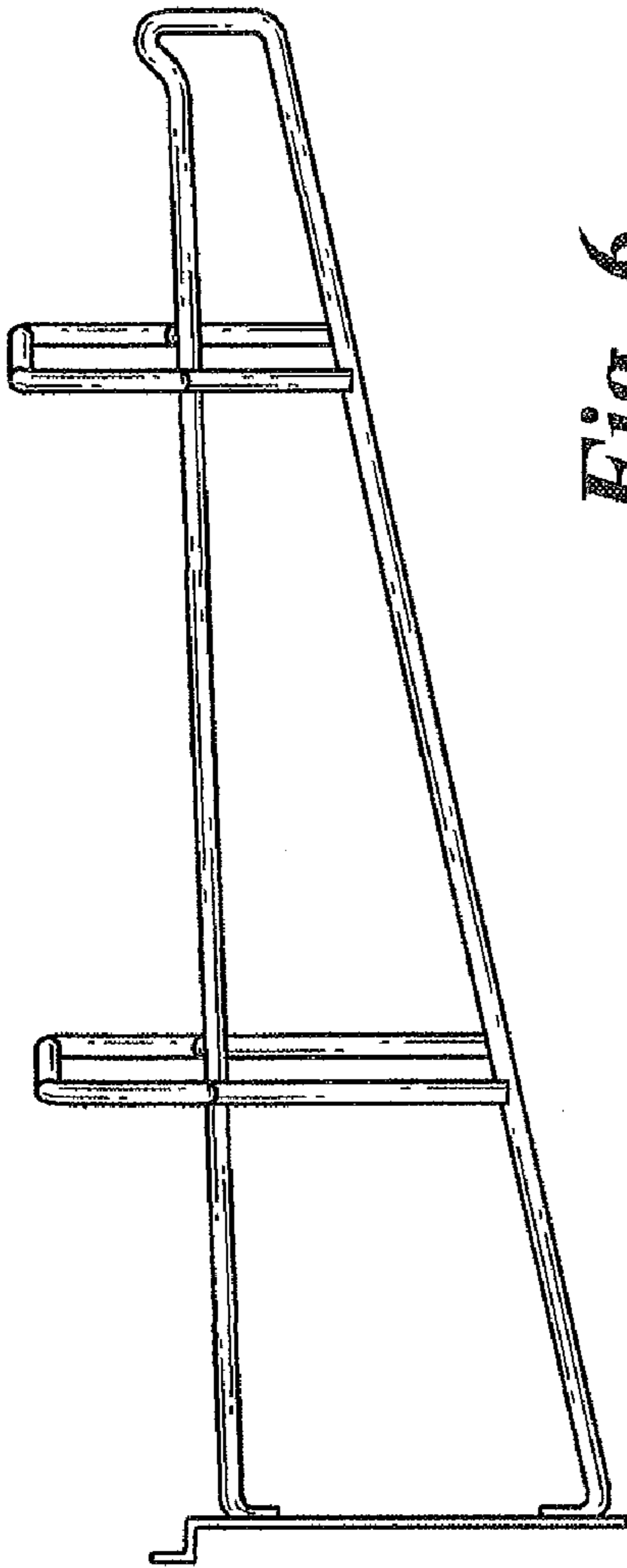


Fig. 6

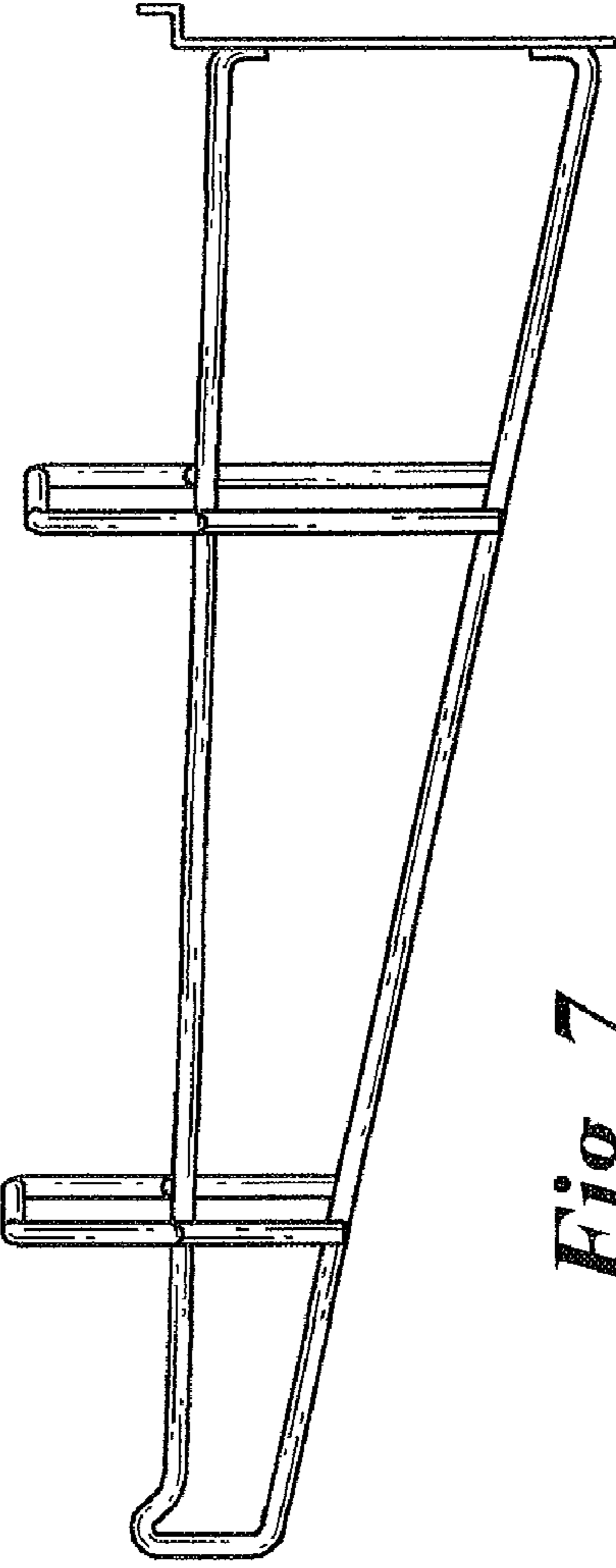


Fig. 7