



US00D660062S

(12) **United States Design Patent**
Spoljaric et al.

(10) **Patent No.:** **US D660,062 S**

(45) **Date of Patent:** **** May 22, 2012**

(54) **WALL CUPBOARD**

(75) Inventors: **Davorin Spoljaric**, Helsinki (FI); **Johan Safstrom**, Stockholm (SE); **Yvonne Tornevik**, Solna (SE)

(73) Assignee: **Cederroth AB**, Upplands Vasby (SE)

(**) Term: **14 Years**

(21) Appl. No.: **29/405,717**

(22) Filed: **Nov. 4, 2011**

Related U.S. Application Data

(62) Division of application No. 29/380,305, filed on Dec. 2, 2010, now Pat. No. Des. 652,662.

(30) **Foreign Application Priority Data**

Jul. 27, 2010 (EM) 001736398

(51) **LOC (9) Cl.** **06-04**

(52) **U.S. Cl.** **D6/559**

(58) **Field of Classification Search** D6/553,
D6/559, 560, 561, 329, 396, 442, 448, 436,
D6/437, 438, 439, 444, 445, 446; 312/209,
312/234, 224, 225, 242, 245; 206/320, 823

See application file for complete search history.

(56) **References Cited**

U.S. PATENT DOCUMENTS

D281,476 S * 11/1985 Smith, Jr. D6/559
D393,393 S * 4/1998 Greger D6/559
D484,724 S * 1/2004 Rodon et al. D6/559

D497,069 S * 10/2004 Aisley et al. D6/559
D545,103 S * 6/2007 Shapiro et al. D6/559
D580,203 S * 11/2008 Shapiro D6/559

* cited by examiner

Primary Examiner — Brian N Vinson

(74) *Attorney, Agent, or Firm* — Young & Thompson

(57) **CLAIM**

The ornamental design for a wall cupboard, as shown and described.

DESCRIPTION

FIG. 1 is a front perspective view of a wall cupboard embodied as a first aid cabinet, showing our new design, with the doors open;

FIG. 2 is a view similar to FIG. 1, but with the doors closed;

FIG. 3 is a front elevational view of the first aid cabinet with the doors open;

FIG. 4 is a view similar to FIG. 3, but with the doors closed;

FIG. 5 is a top plan view of the first aid cabinet with the doors open;

FIG. 6 is a top plan view of the first aid cabinet, but with the doors closed;

FIG. 7 is a bottom plan view of the first aid cabinet with the doors open;

FIG. 8 is a bottom plan view of the first aid cabinet, but with the doors closed;

FIG. 9 is a right side elevational view of the first aid cabinet with the doors open;

FIG. 10 is a right side elevational view of the first aid cabinet, but with the doors closed;

FIG. 11 is a left side elevational view of the first aid cabinet with the doors open; and,

FIG. 12 is a left side elevational view of the first aid cabinet, but with the doors closed.

The material shown in broken line forms no part of the claimed design.

1 Claim, 8 Drawing Sheets

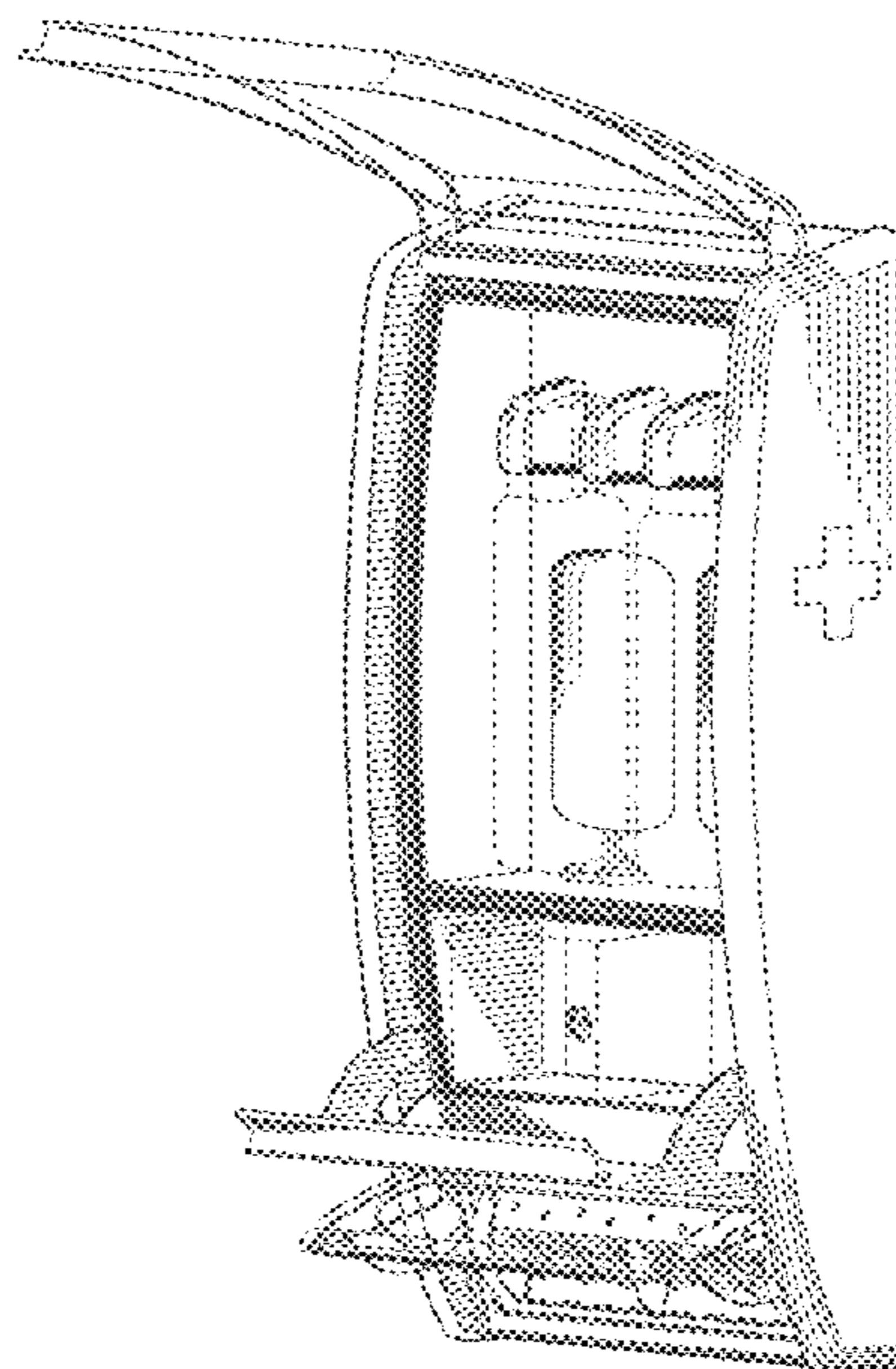


FIG. 1

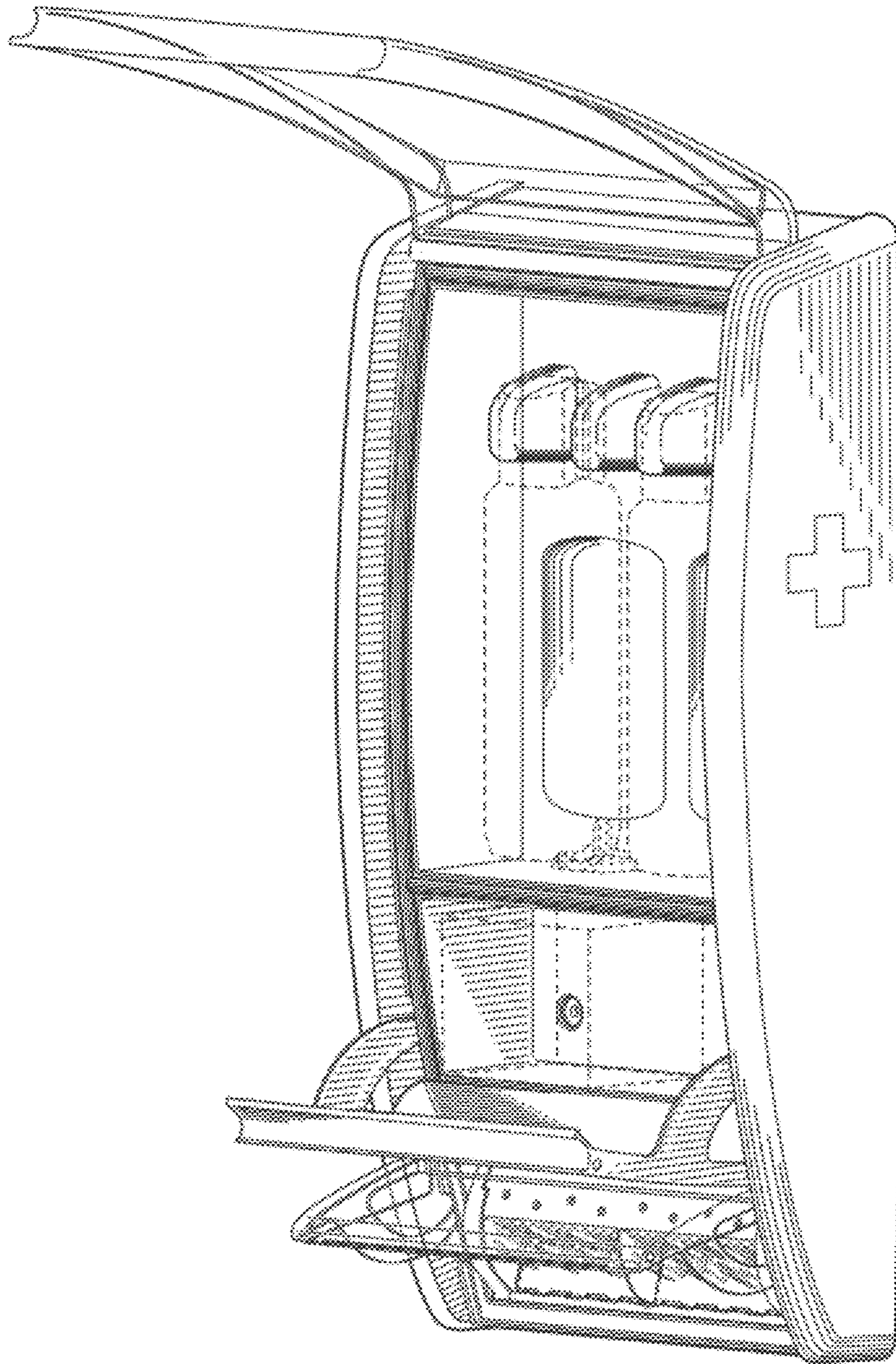


FIG. 2

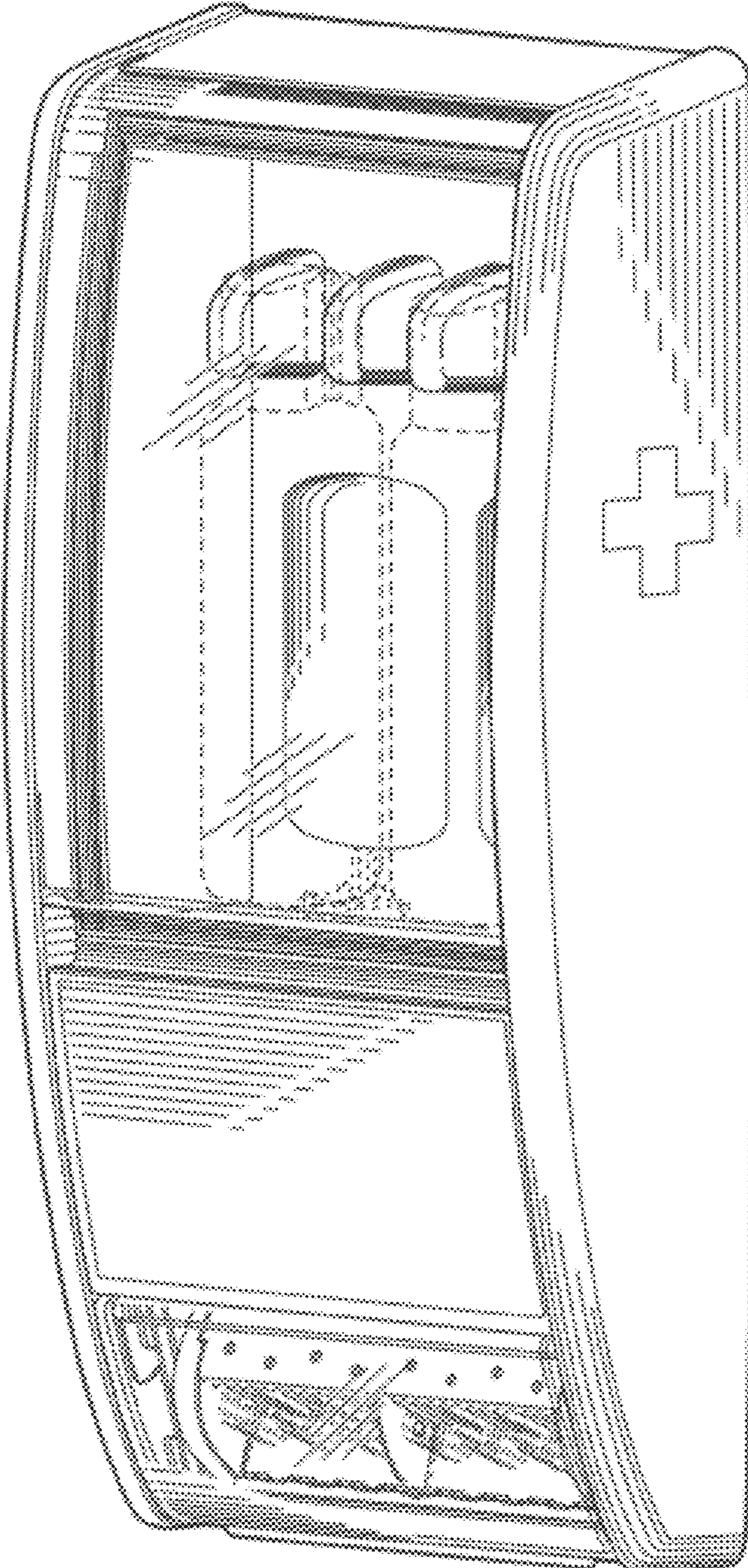


FIG. 3

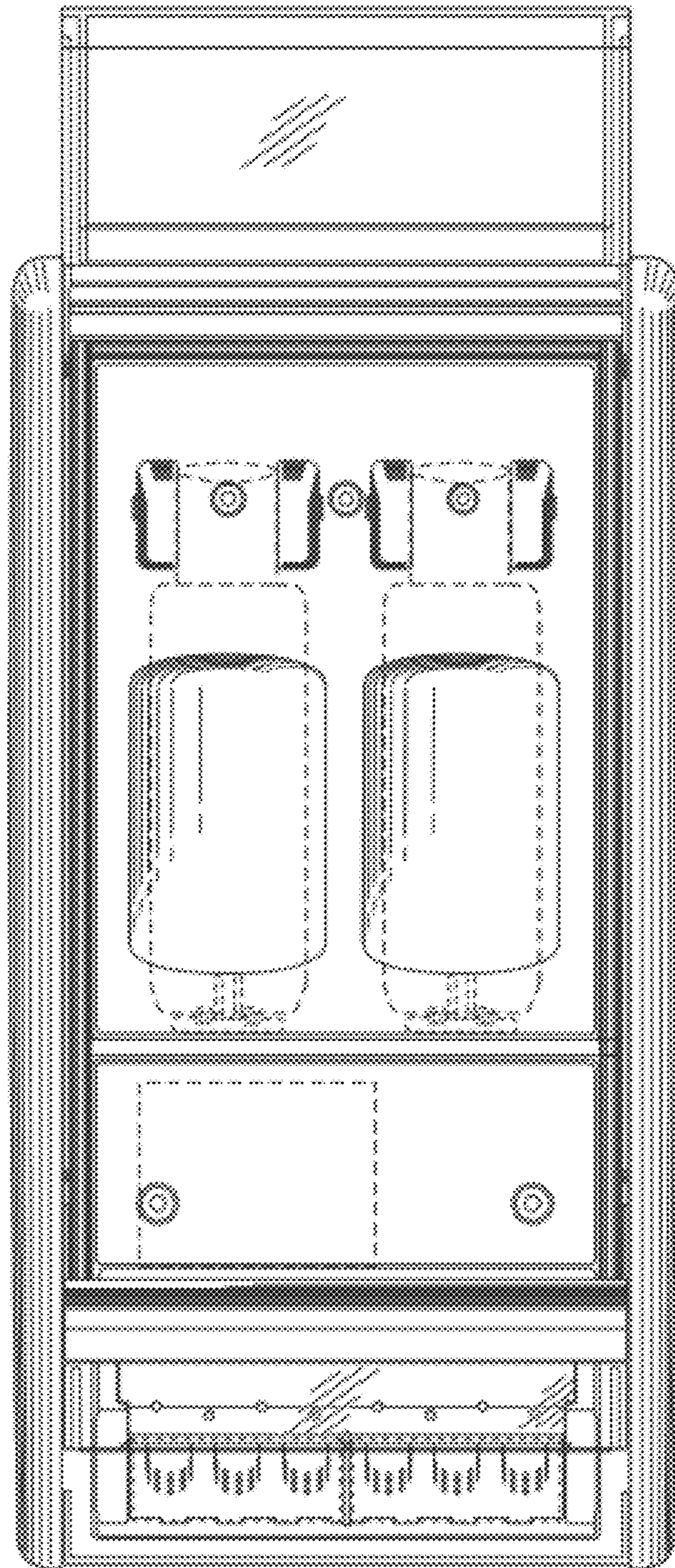


FIG. 4

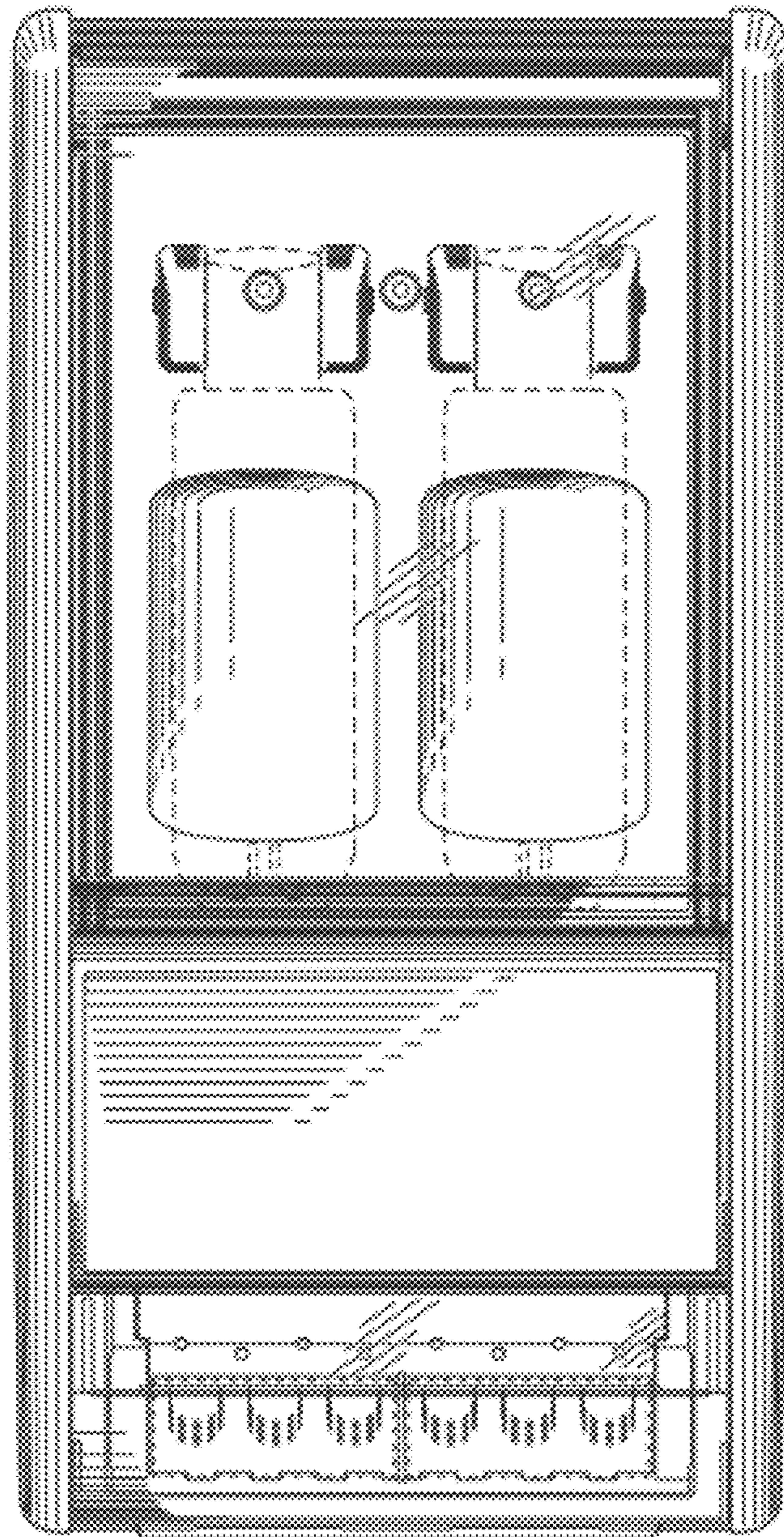


FIG. 5

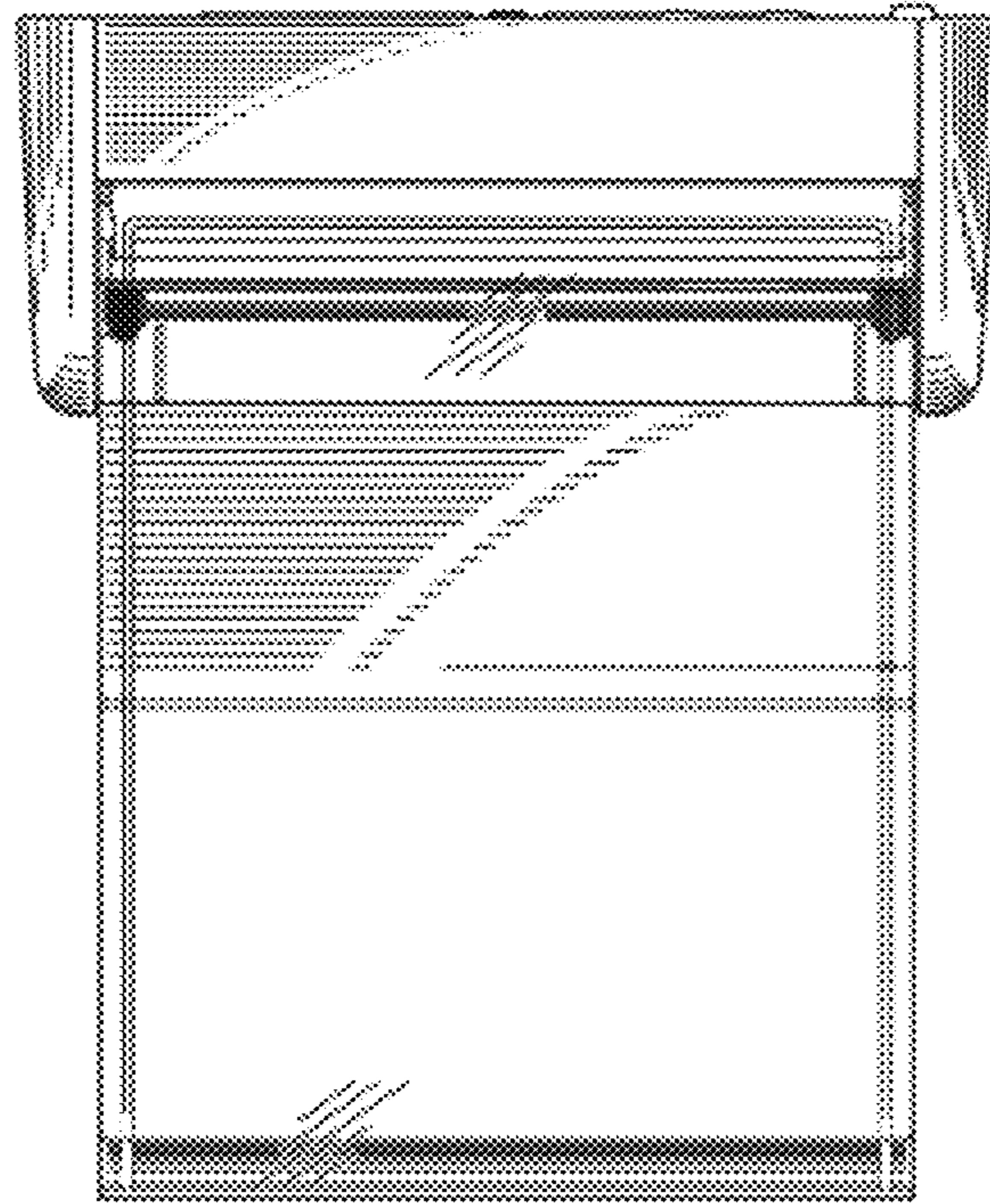


FIG. 7

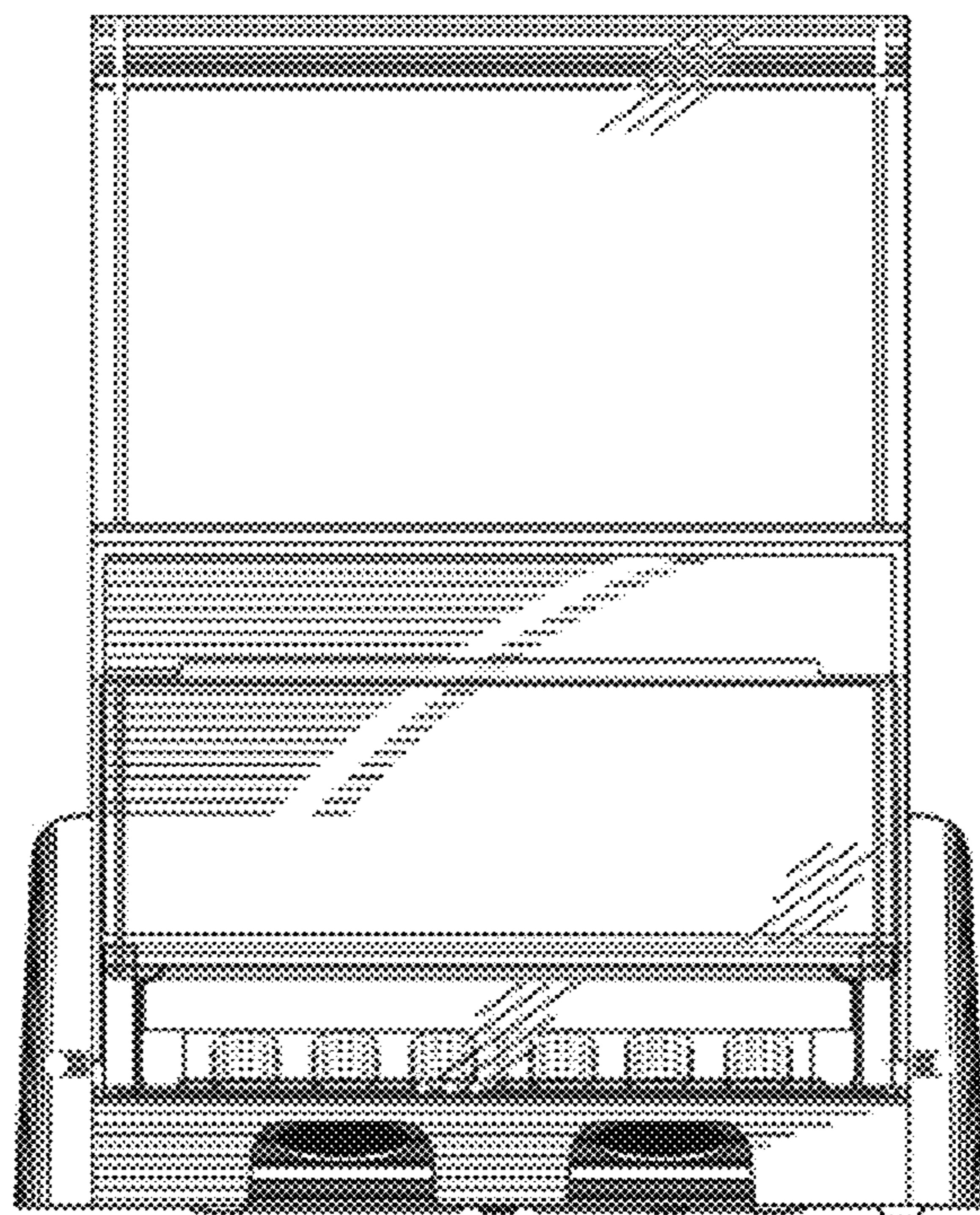


FIG. 6

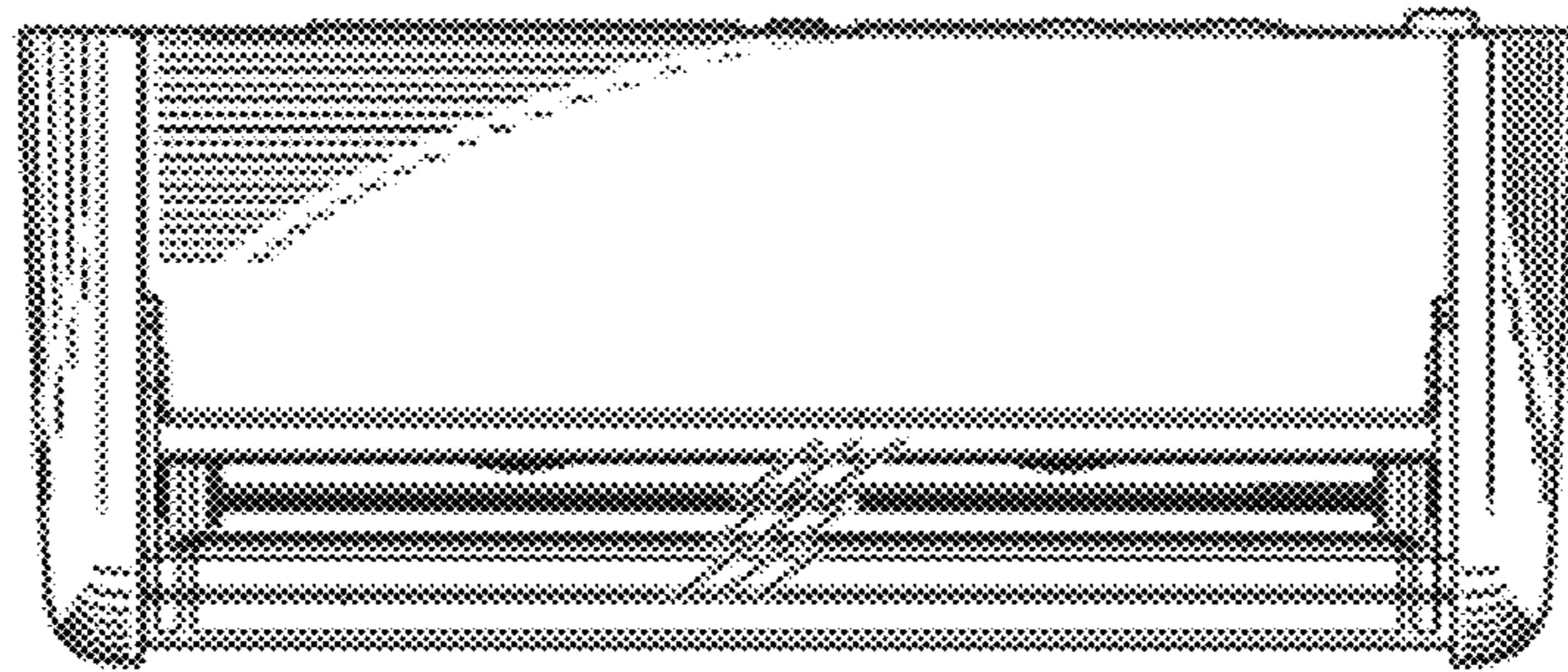


FIG. 8

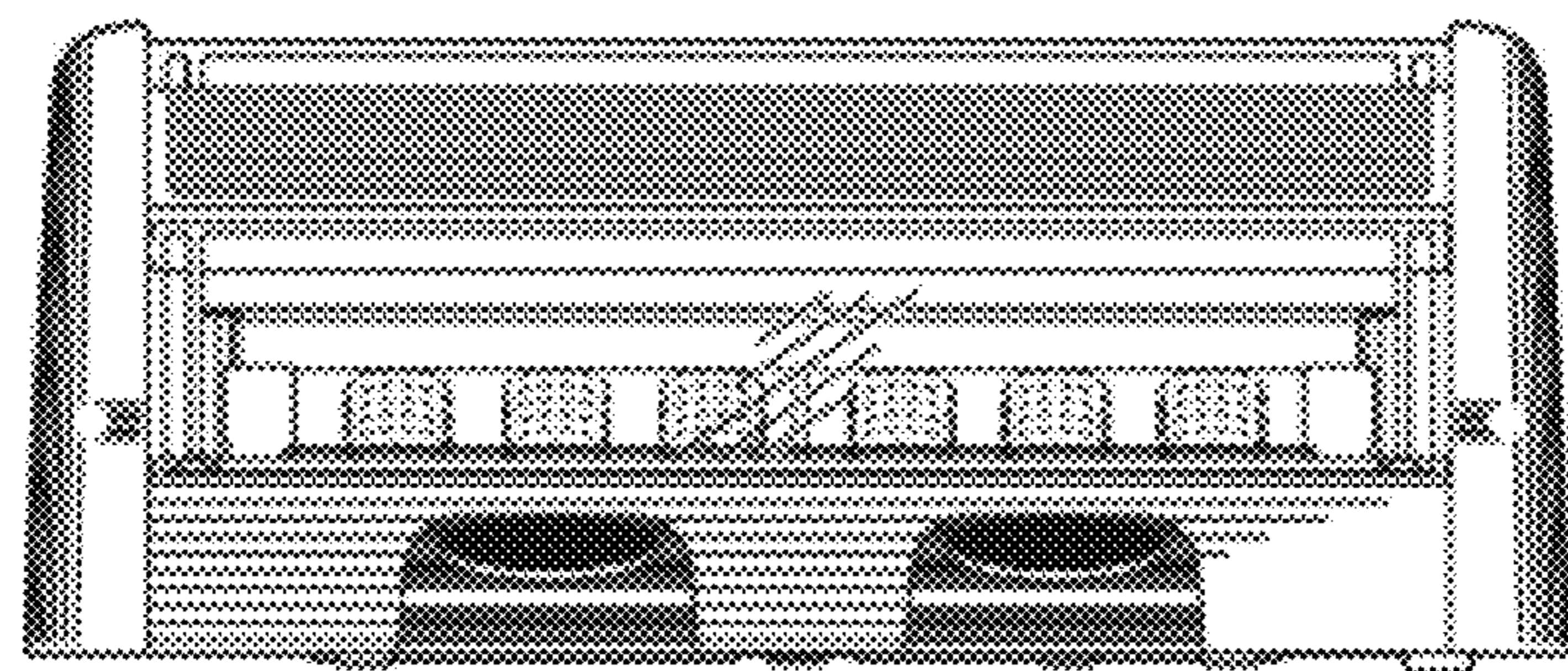


FIG. 9

FIG. 11

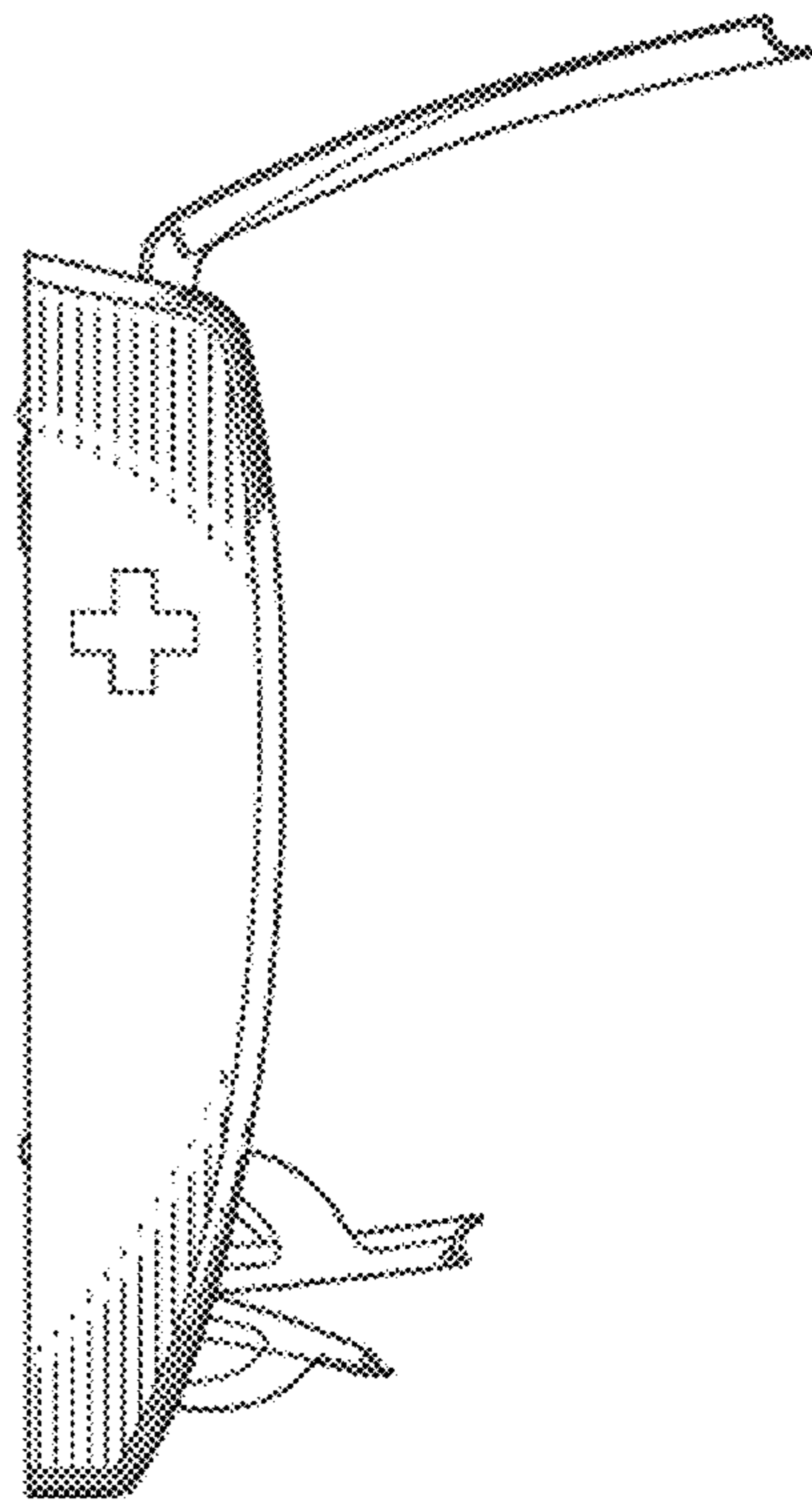
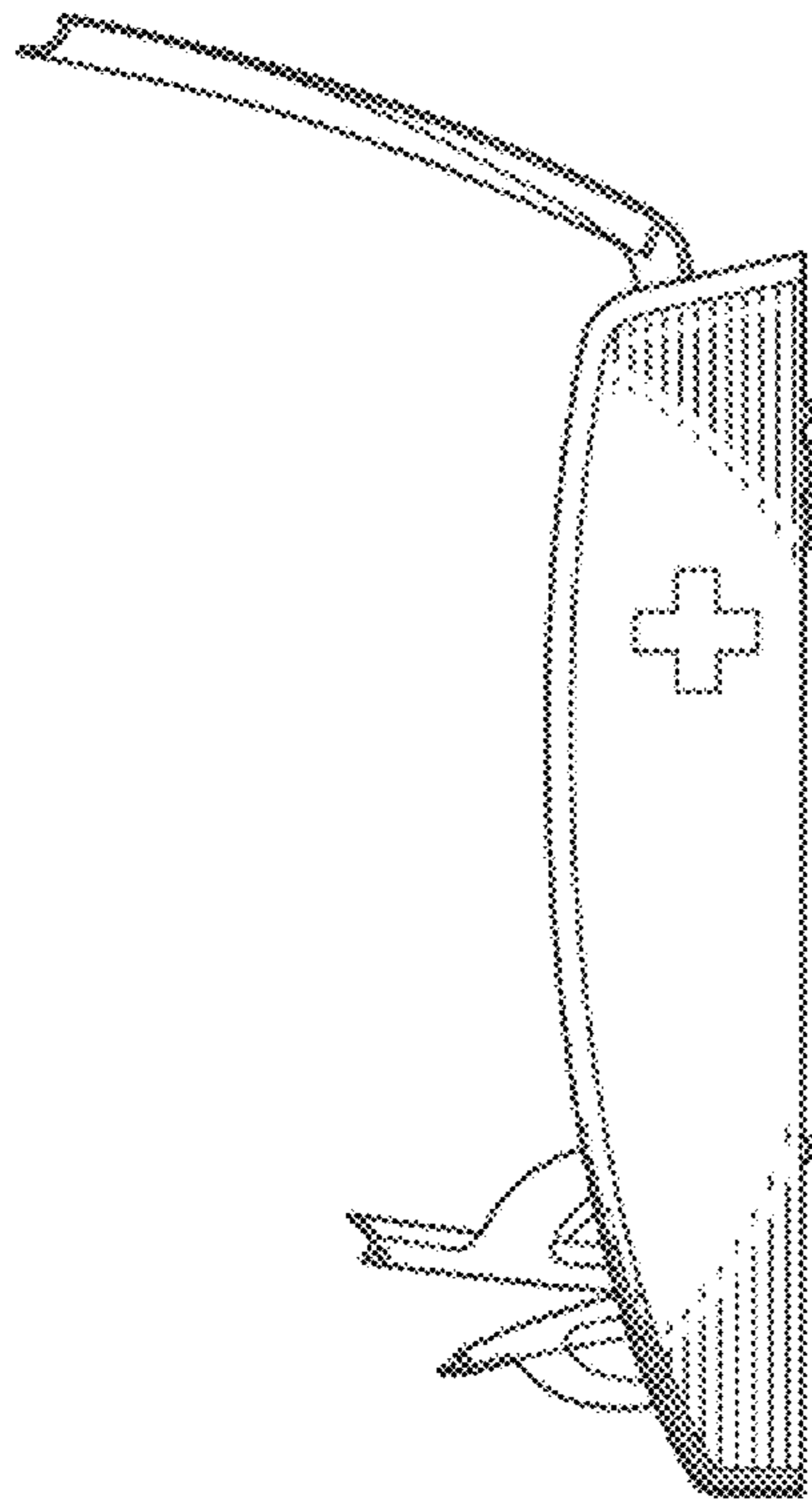


FIG. 10

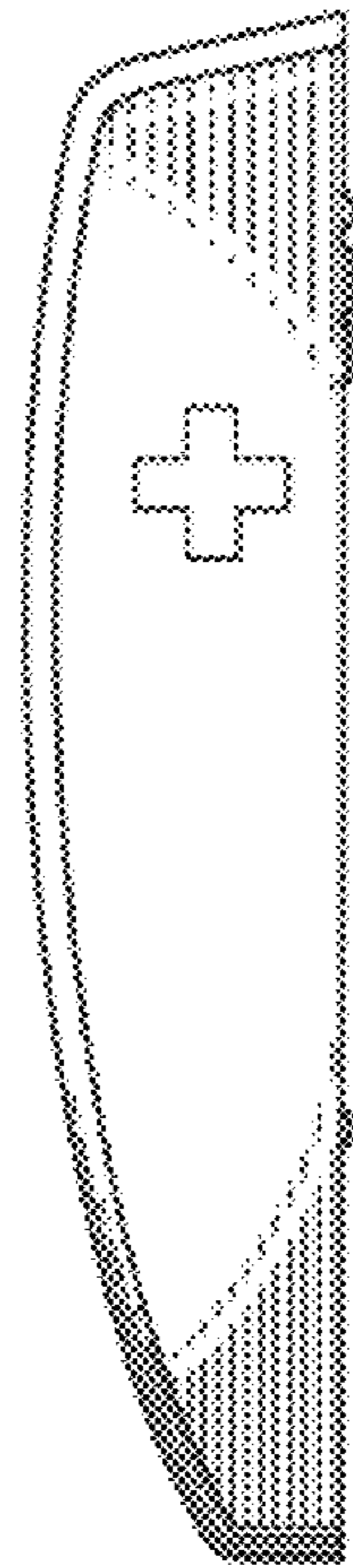


FIG. 12

