

US00D660059S

(12) **United States Design Patent**
Nilsson

(10) **Patent No.:** **US D660,059 S**

(45) **Date of Patent:** **** May 22, 2012**

(54) **GRAVITY SHELF**

(76) Inventor: **Rickard Nilsson, Diez (DE)**

(**) Term: **14 Years**

(21) Appl. No.: **29/386,623**

(22) Filed: **Mar. 3, 2011**

(51) **LOC (9) Cl.** **06-02**

(52) **U.S. Cl.** **D6/511**

(58) **Field of Classification Search** D6/396-397,
D6/418, 426, 430, 449, 474, 511-513, 572-574;
211/71.01, 88.01, 90.01, 126, 134, 153, 193;
108/106, 137, 157.1, 159.1, 180
See application file for complete search history.

D592,897	S *	5/2009	Welsch et al.	D6/511
D593,783	S *	6/2009	Golias et al.	D6/511
D595,887	S *	7/2009	Blom	D26/76
D598,674	S *	8/2009	Frank	D6/479
D632,034	S *	2/2011	Ha et al.	D32/25
D634,570	S *	3/2011	Lin	D6/511
D634,957	S *	3/2011	Rosenzweig	D6/567
2008/0237161	A1 *	10/2008	Smith	211/88.01
2009/0078663	A1 *	3/2009	Gajewski	211/153

* cited by examiner

Primary Examiner — Kelley Donnelly

(74) *Attorney, Agent, or Firm* — Andrew S. Langsam; Pryor Cashman LLP

(57) **CLAIM**

The ornamental design for a gravity shelf, as shown and described.

(56) **References Cited**

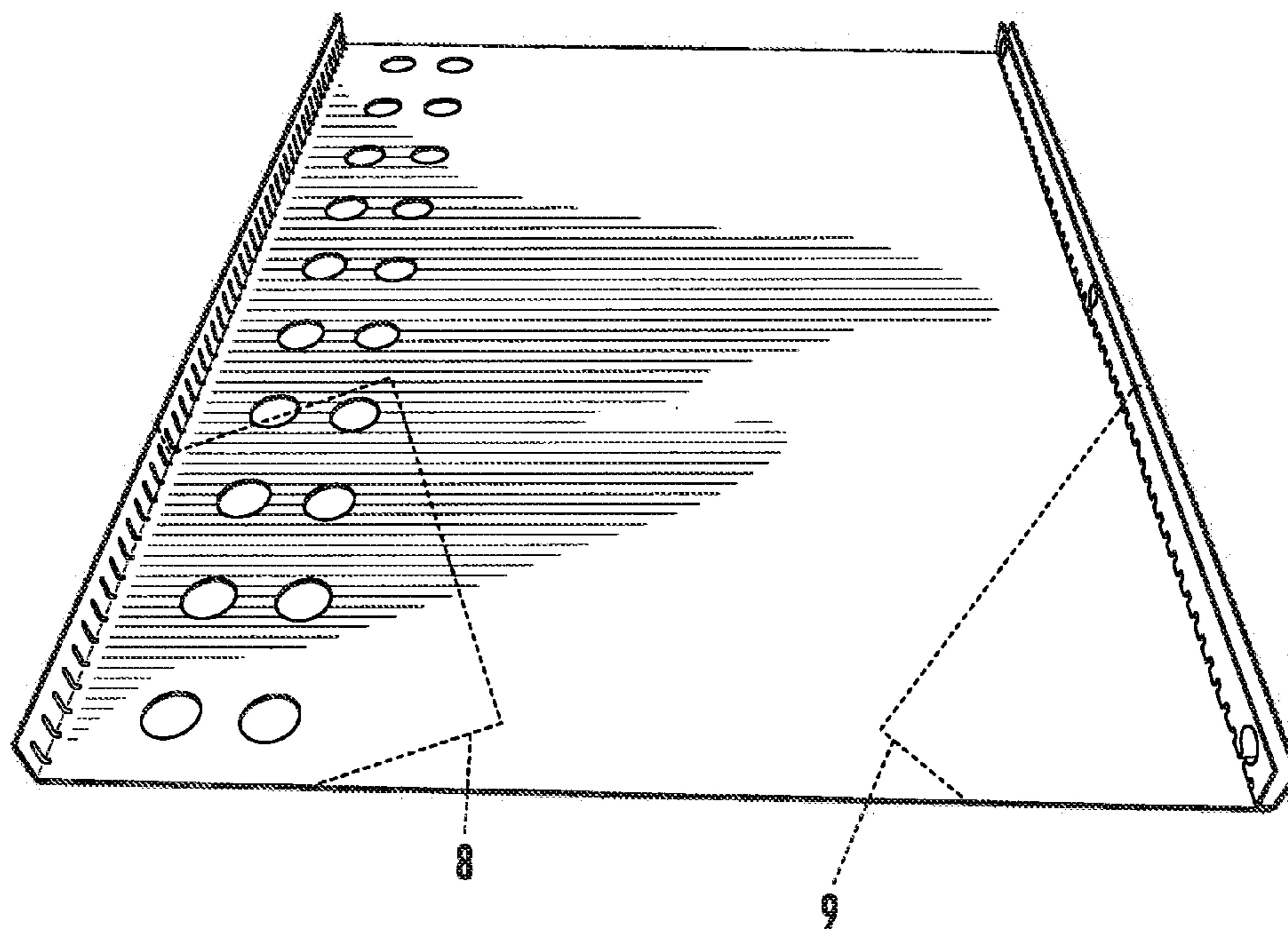
U.S. PATENT DOCUMENTS

2,974,843	A *	3/1961	Reifers et al.	229/407
4,154,795	A *	5/1979	Thorne	422/553
D260,568	S *	9/1981	Cherry	D3/314
D266,772	S *	11/1982	Sayers	D19/92
4,953,473	A *	9/1990	Tomaka et al.	108/132
D387,874	S *	12/1997	Vila	D24/227
D404,755	S *	1/1999	Garbuzov	D17/13
D413,217	S *	8/1999	Bidwell et al.	D6/510
D431,407	S *	10/2000	Sorensen et al.	D6/574
D445,617	S *	7/2001	Von Gunten et al.	D6/511
D493,256	S *	7/2004	Kim	D28/61
D515,315	S *	2/2006	Rader et al.	D3/304
D559,850	S *	1/2008	Lye	D14/447
D566,556	S *	4/2008	Baker et al.	D9/456
D572,056	S *	7/2008	McConnell	D6/511
D574,005	S *	7/2008	Chung	D14/447

DESCRIPTION

FIG. 1 is a side perspective view of gravity shelf showing my new invention;
FIG. 2 is top plan view thereof;
FIG. 3 is a front elevational view thereof;
FIG. 4 is a rear elevational view thereof;
FIG. 5 is a left side elevational view thereof;
FIG. 6 is a right side elevational view thereof;
FIG. 7 is a bottom view thereof;
FIG. 8 is an enlarged front and left side perspective cut-away view of a portion of FIG. 1; and,
FIG. 9 is an enlarged front and right side perspective cut-away view of a portion of FIG. 1.

1 Claim, 6 Drawing Sheets



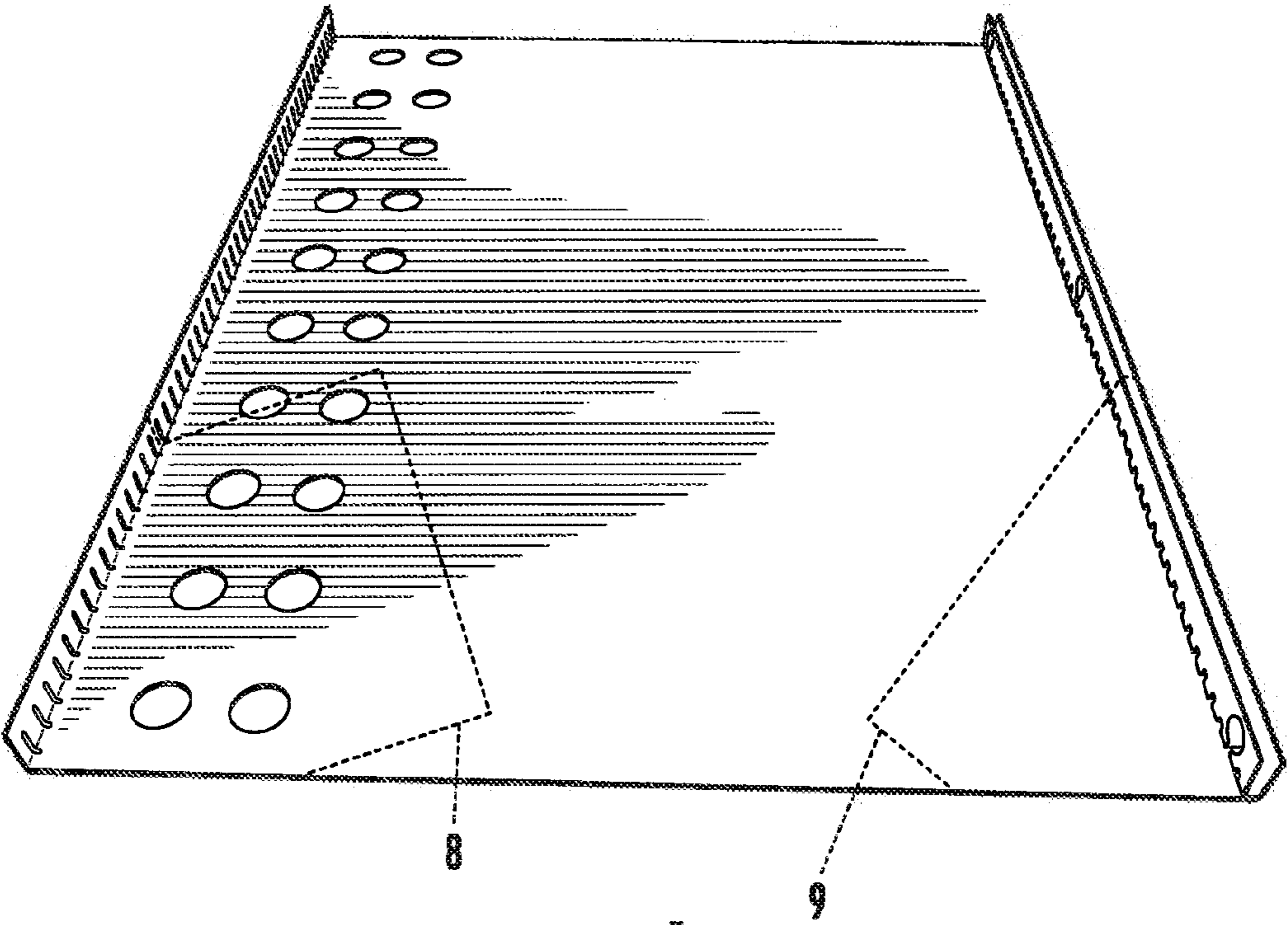


FIG. 1

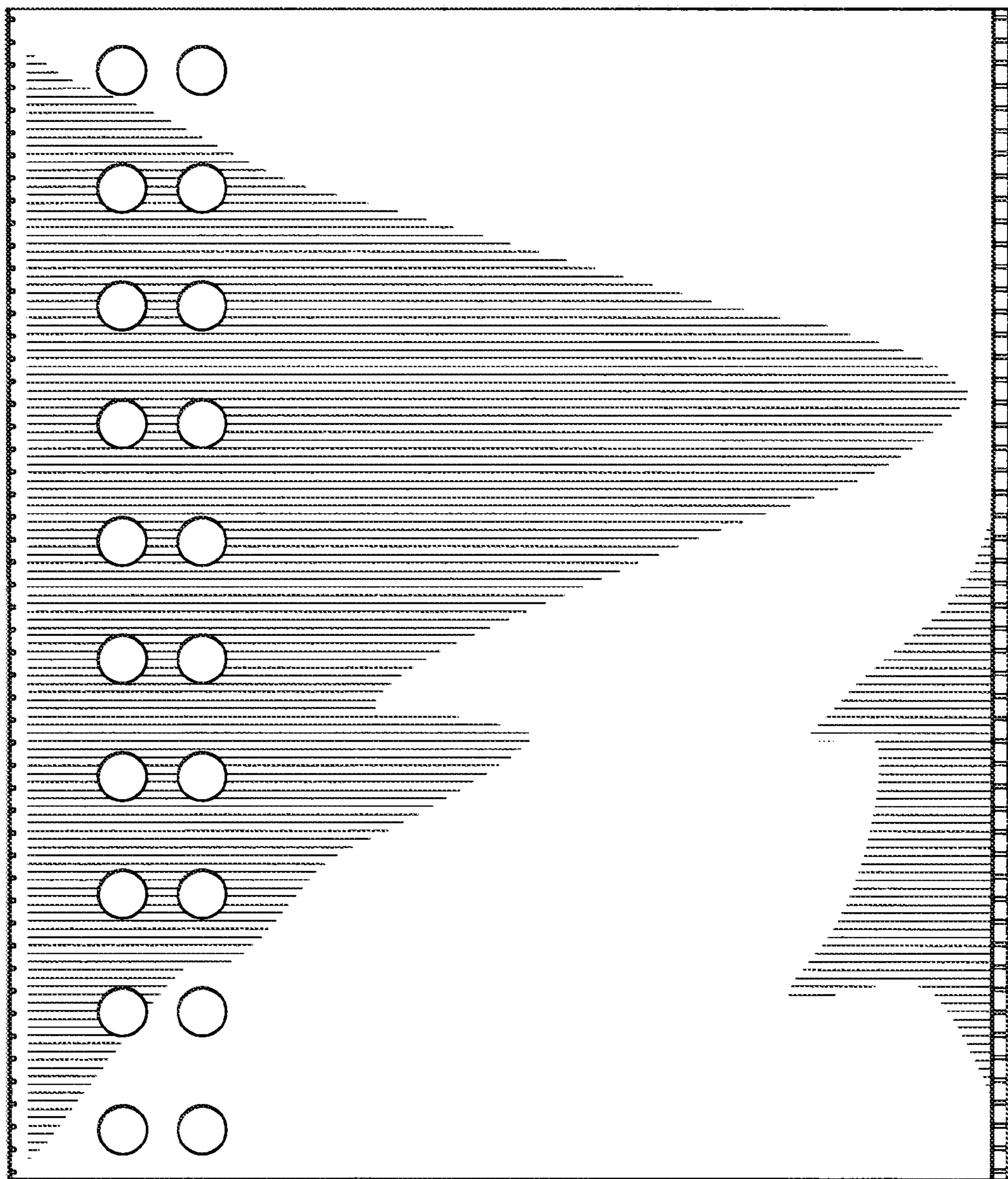


FIG. 2

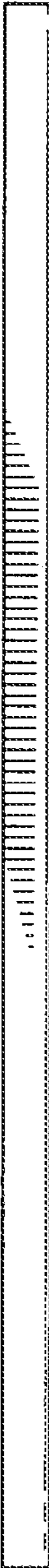


FIG. 3

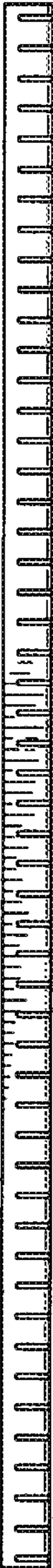


FIG. 4



FIG. 5



FIG. 6

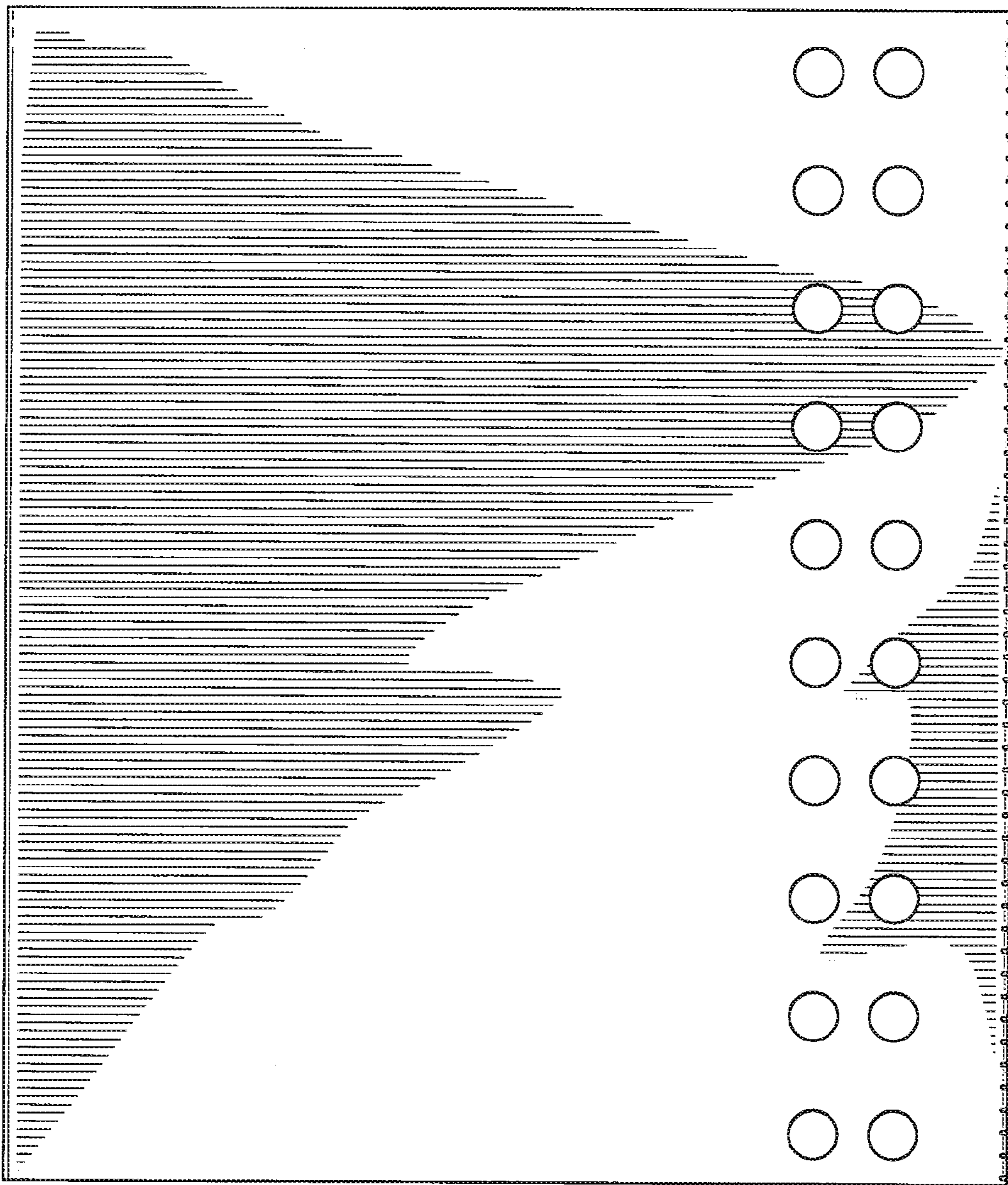


FIG. 7

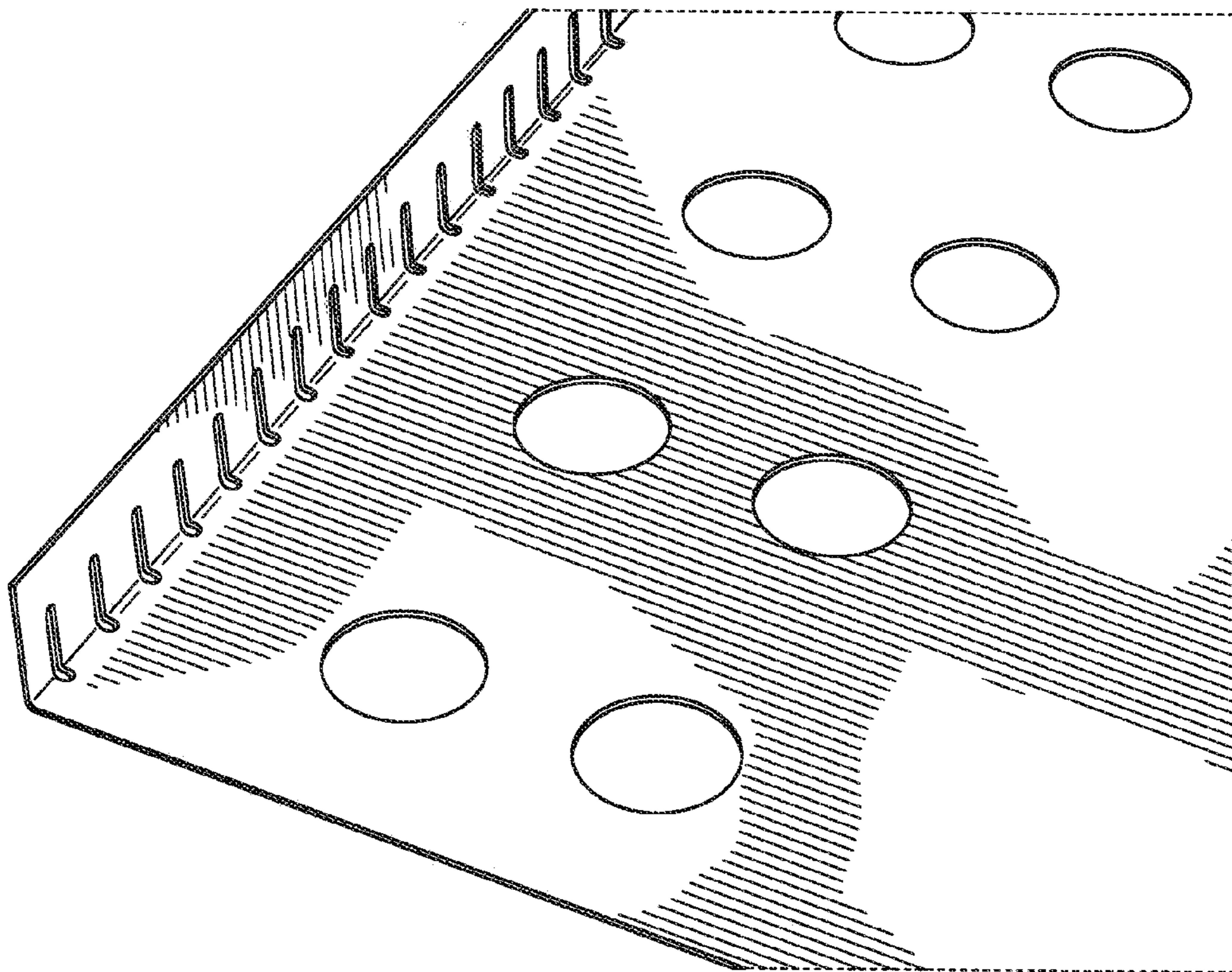


FIG. 8

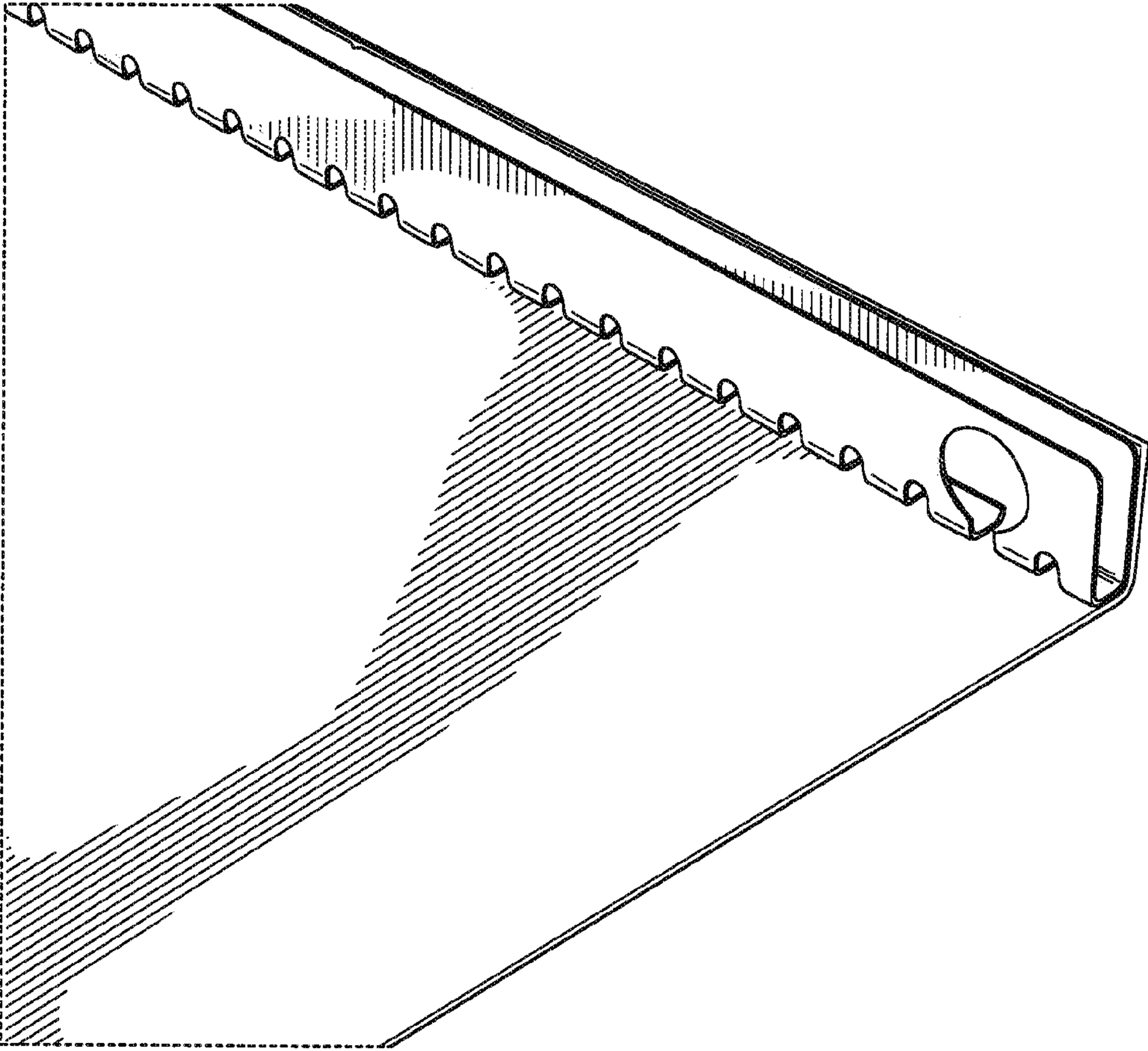


FIG. 9