



US00D660058S

(12) **United States Design Patent**
Kincaid et al.

(10) **Patent No.:** **US D660,058 S**

(45) **Date of Patent:** **** May 22, 2012**

- (54) **WORKSURFACE BUCKET**
- (75) Inventors: **Brett Kincaid**, Ada, MI (US); **Mark Spoelhof**, Grand Rapids, MI (US); **Von Robinson**, Grand Rapids, MI (US)
- (73) Assignee: **Steelcase Inc.**, Grand Rapids, MI (US)
- (**) Term: **14 Years**
- (21) Appl. No.: **29/390,313**
- (22) Filed: **Apr. 22, 2011**
- (51) **LOC (9) Cl.** **06-06**
- (52) **U.S. Cl.** **D6/510; D3/304**
- (58) **Field of Classification Search** D6/480-489, D6/495-499, 429, 510, 511, 513, 475; 108/150, 108/153.1, 156, 157.1, 161, 144.11, 147.19, 108/91, 93, 24-26, 50.01, 50.02; D19/92; D3/304; 211/119.005, 126.2, 153, 90.01, 211/11, 50, 125.1, 123.16; 312/194; 206/507
See application file for complete search history.

5,568,773 A	10/1996	Hung	
D386,921 S	12/1997	Wikman	
D387,583 S	12/1997	Shear	
5,697,686 A	12/1997	Miller et al.	
5,769,514 A	6/1998	Brown et al.	
6,012,788 A	1/2000	Marschand et al.	
D425,703 S *	5/2000	Ohayon	D3/304
6,152,047 A	11/2000	MacNamara	
D450,959 S	11/2001	Birsel et al.	
6,394,006 B2	5/2002	Hoekstra et al.	
D467,698 S	12/2002	Holbrook	
6,662,732 B2	12/2003	Birsel et al.	
6,722,673 B1	4/2004	Hamlin	
D505,581 S	5/2005	Glass et al.	
D511,535 S	11/2005	Grobleben	
2002/0129746 A1	9/2002	Donnelly	

* cited by examiner

Primary Examiner — Janice Seeger

(74) *Attorney, Agent, or Firm* — Price Heneveld LLP

(57) **CLAIM**

We claim the ornamental design for worksurface bucket, as shown and described.

(56) **References Cited**

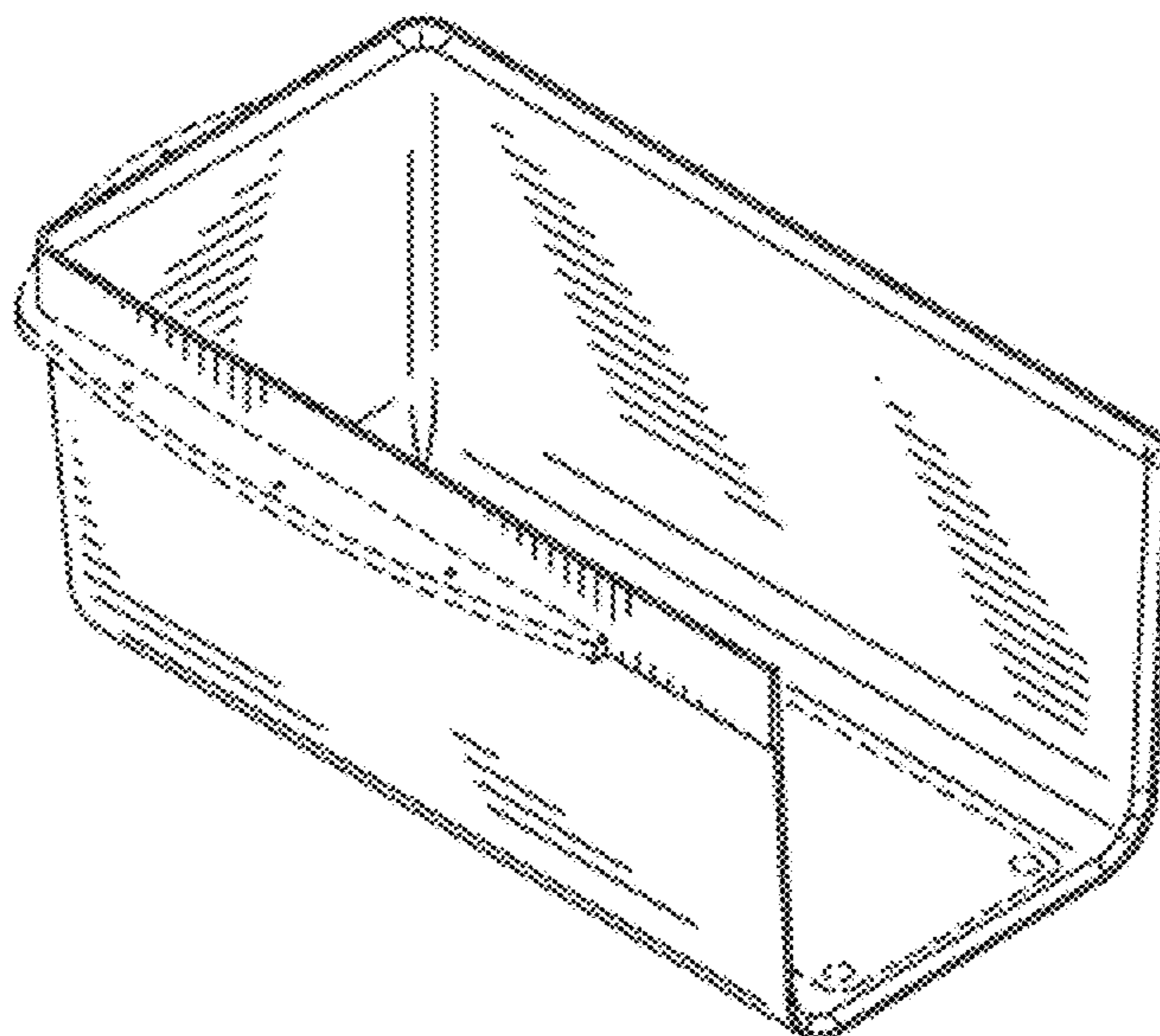
U.S. PATENT DOCUMENTS

371,468 A	10/1887	McMaster	
3,169,495 A *	2/1965	O'Brien	108/26
3,290,108 A	12/1966	Beckman et al.	
3,364,882 A	1/1968	Merrick	
3,478,892 A *	11/1969	Lockwood	211/126.2
D236,935 S *	9/1975	Frazelle	D6/510
4,094,255 A	6/1978	Zaccaria	
D248,805 S *	8/1978	Bridges	D6/573
4,145,097 A	3/1979	Naess et al.	
4,312,507 A	1/1982	Smith et al.	
4,345,803 A	8/1982	Heck	
D269,657 S	7/1983	Taylor	
4,553,464 A *	11/1985	Turner et al.	83/865
D371,468 S	7/1996	Sittel et al.	

DESCRIPTION

FIG. 1 is a perspective view of the worksurface bucket embodying the present invention;
 FIG. 2 is a front view of the worksurface bucket;
 FIG. 3 is a rear view of the worksurface bucket;
 FIG. 4 is a first side view of the worksurface bucket with the opposite side view being a mirror image thereof;
 FIG. 5 is a top view of the worksurface bucket; and,
 FIG. 6 is a bottom view of the worksurface bucket.
 The dashed lines and broken lines are for the purpose of illustrating environmental structure and form no part of the claimed design.

1 Claim, 2 Drawing Sheets



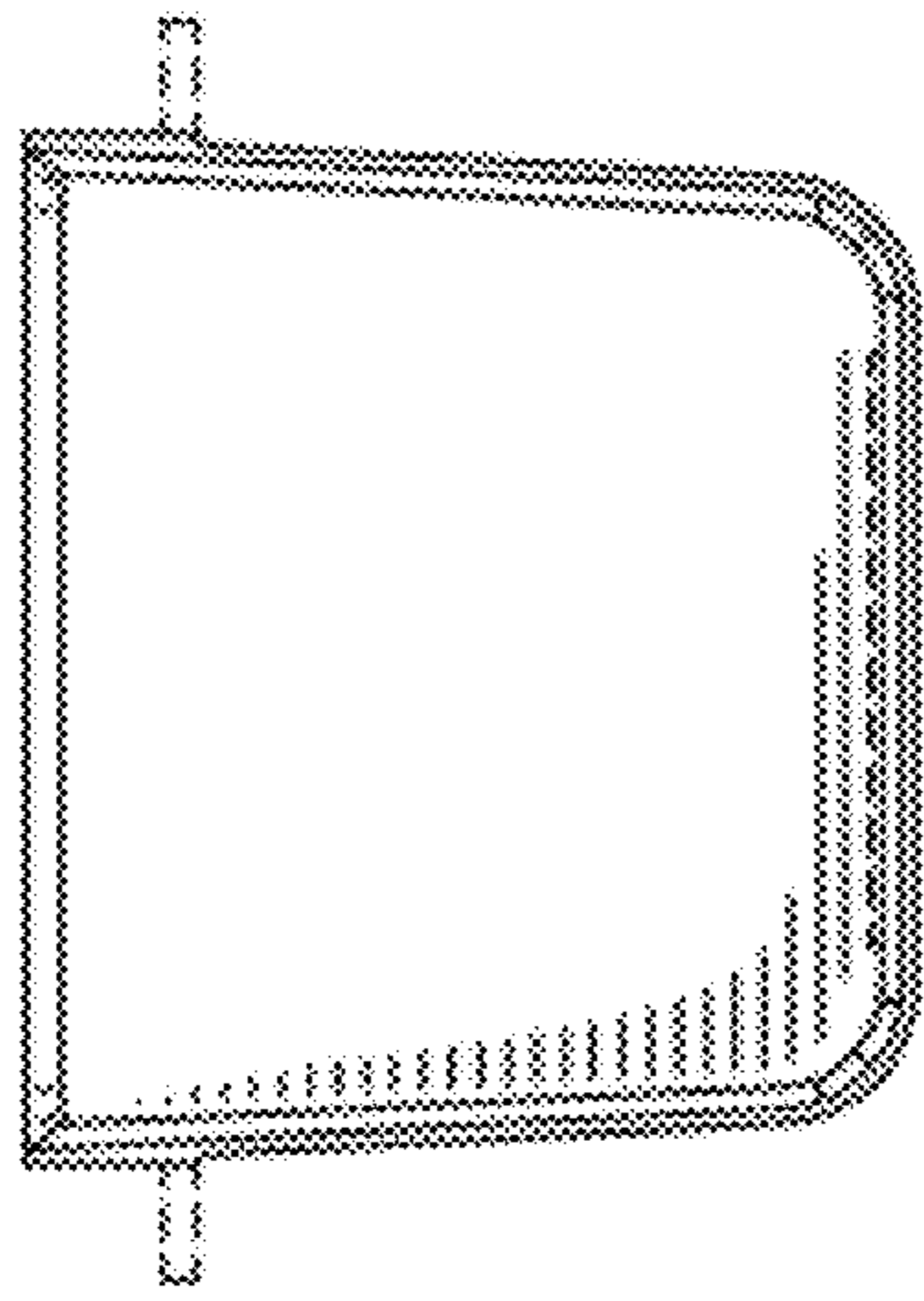


FIG. 2

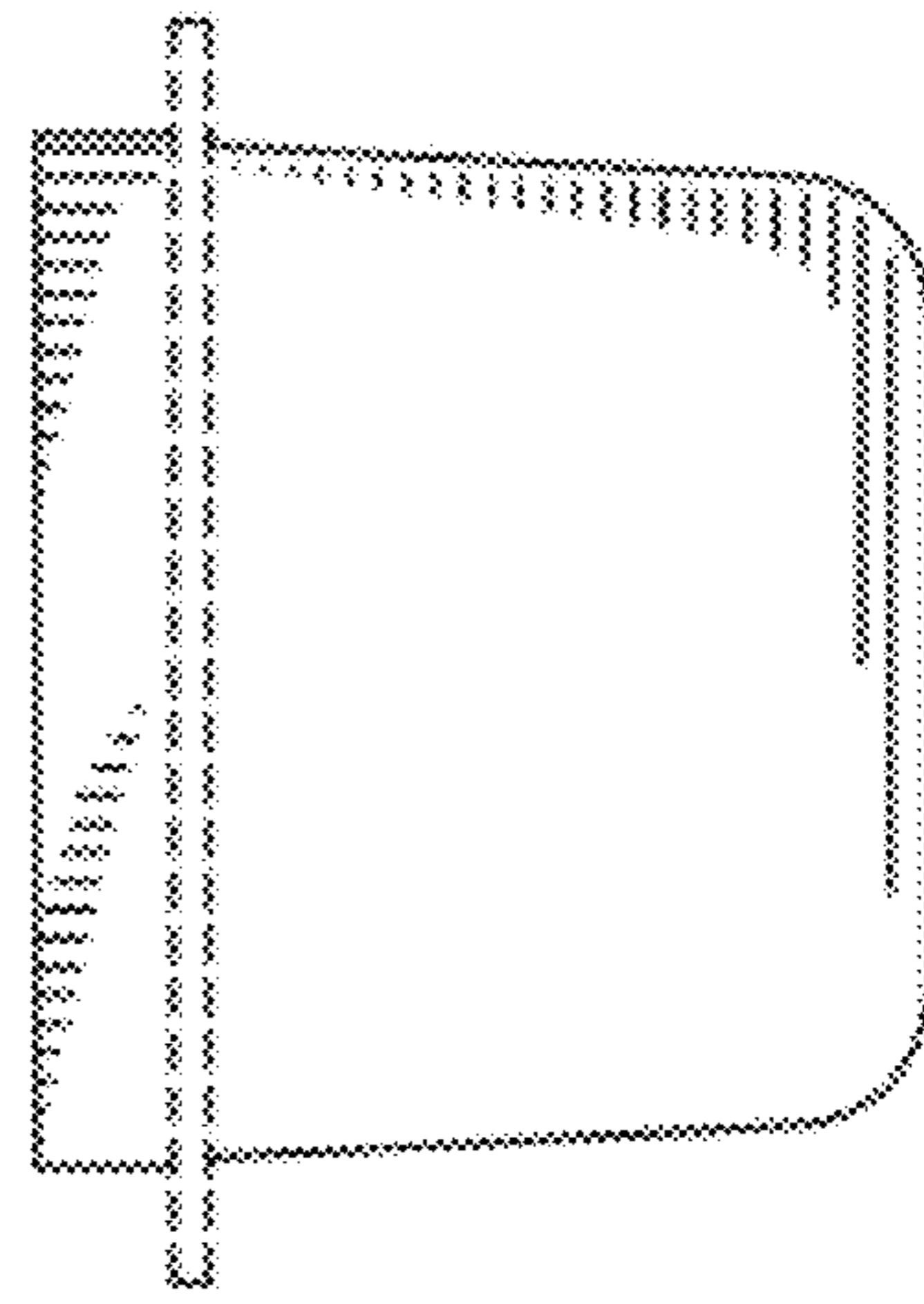


FIG. 3

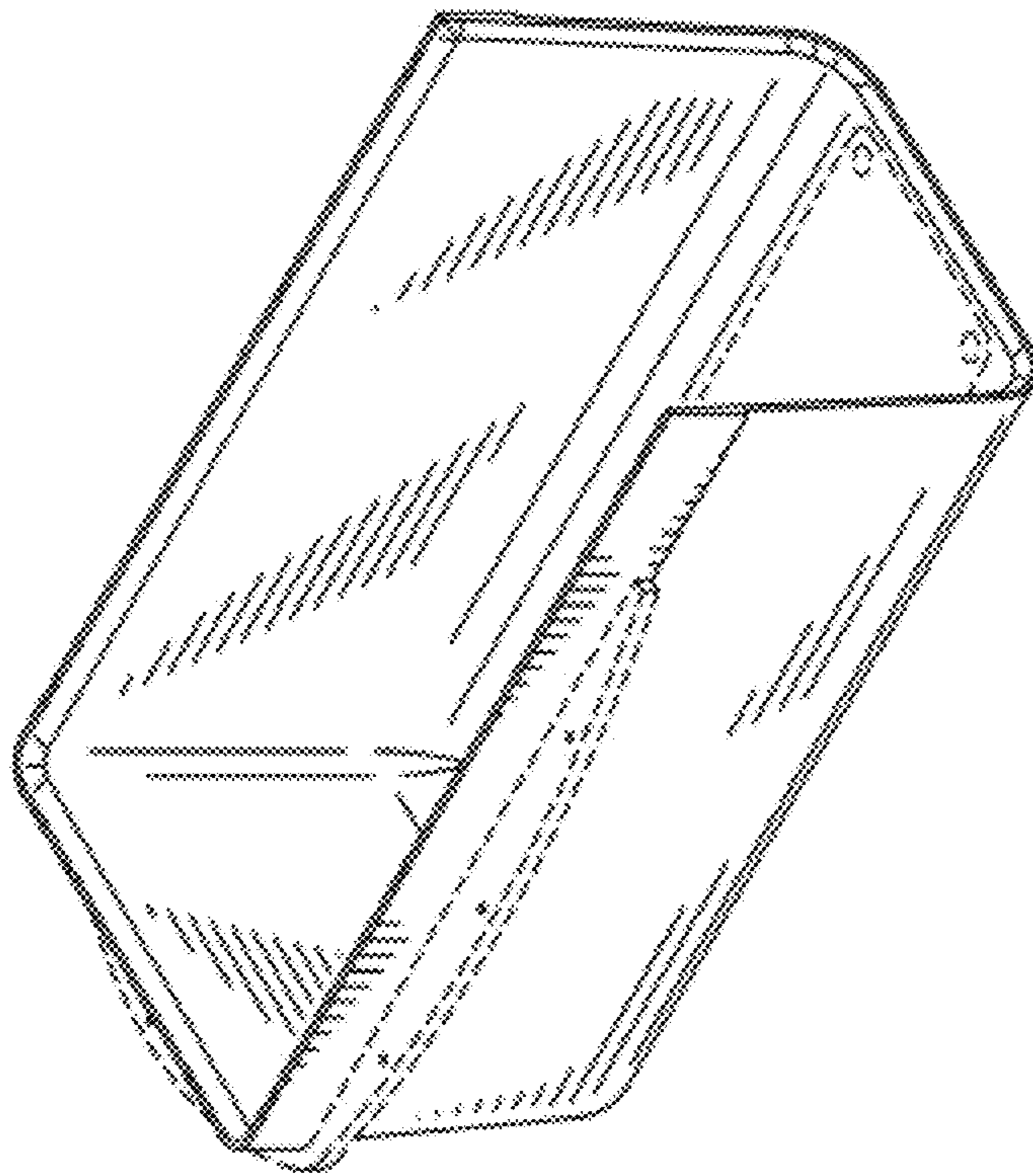


FIG. 1

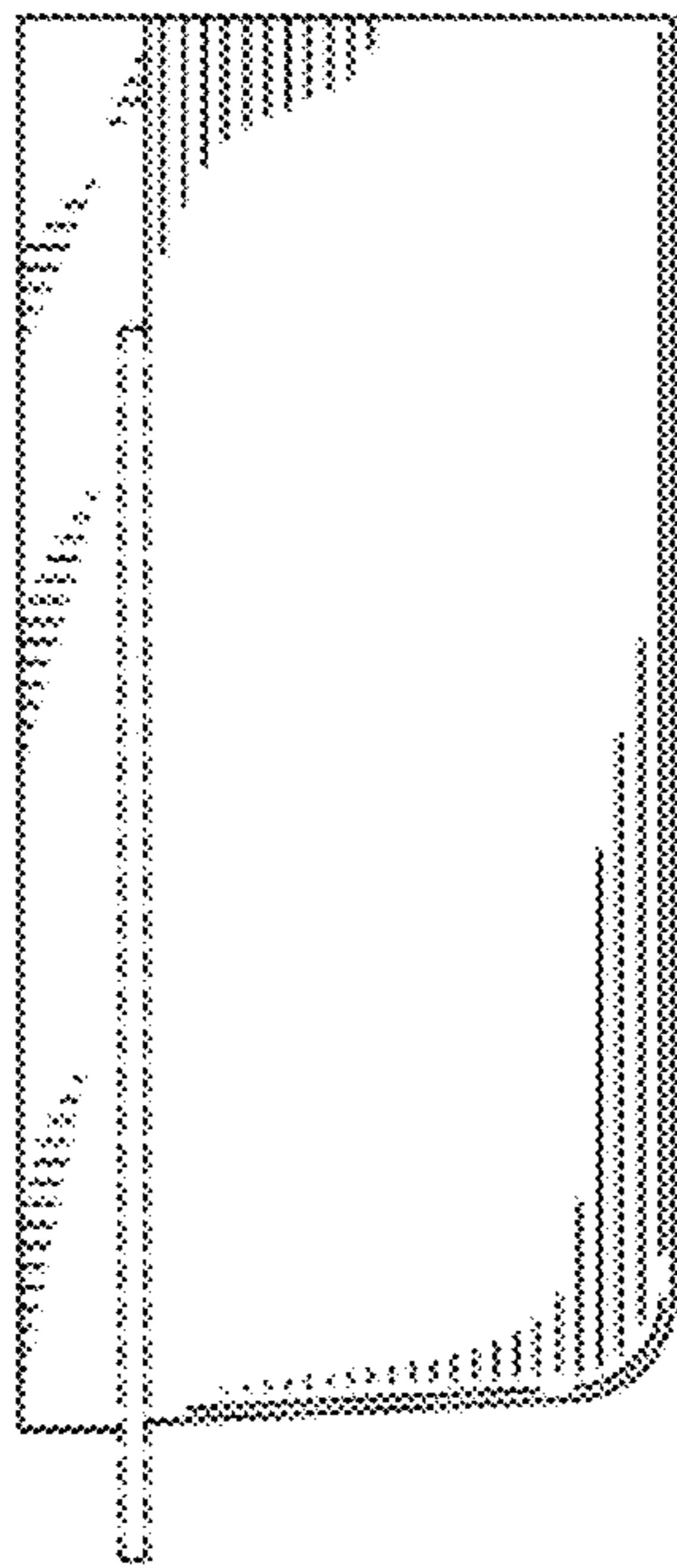


FIG. 4

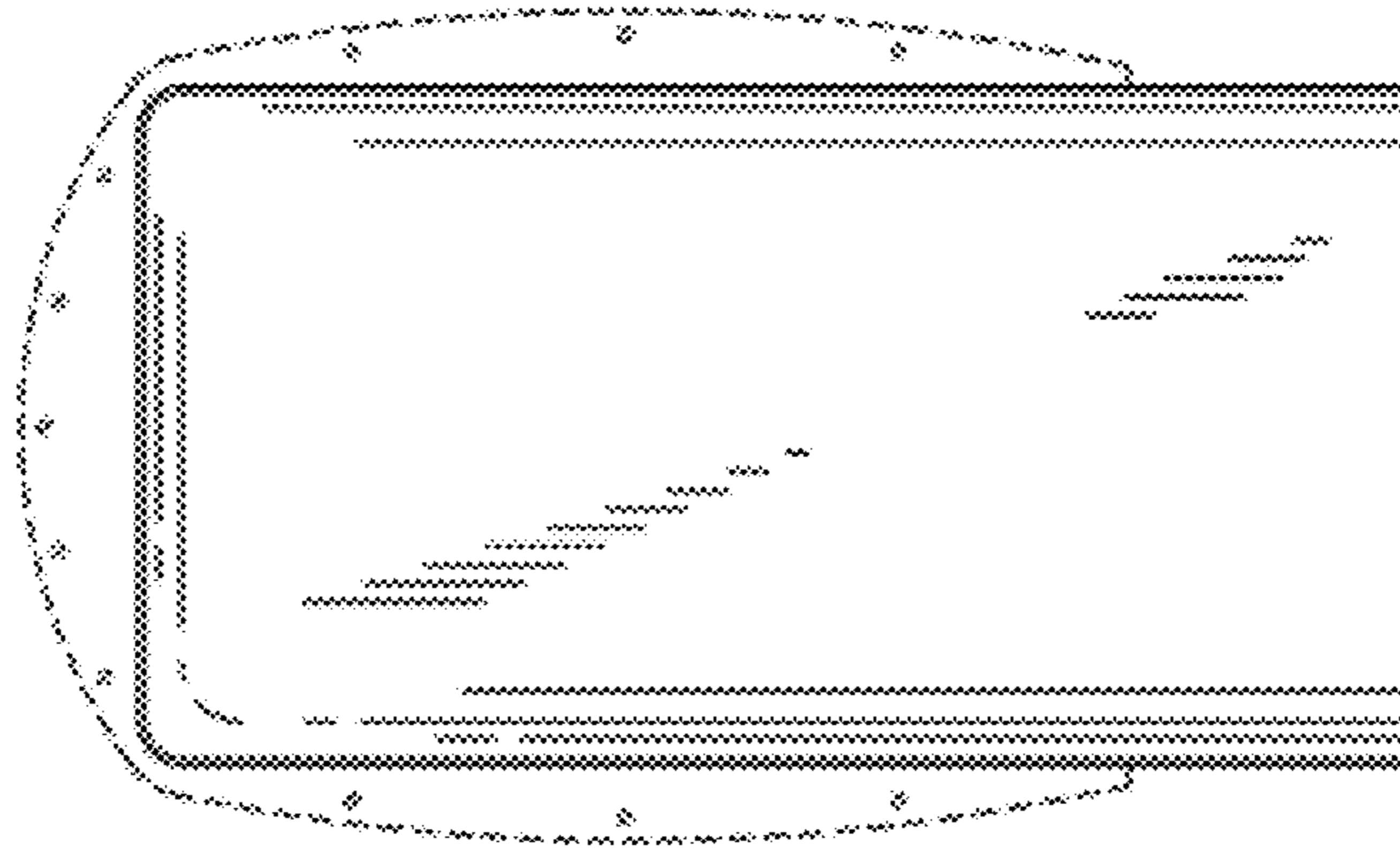


FIG. 6

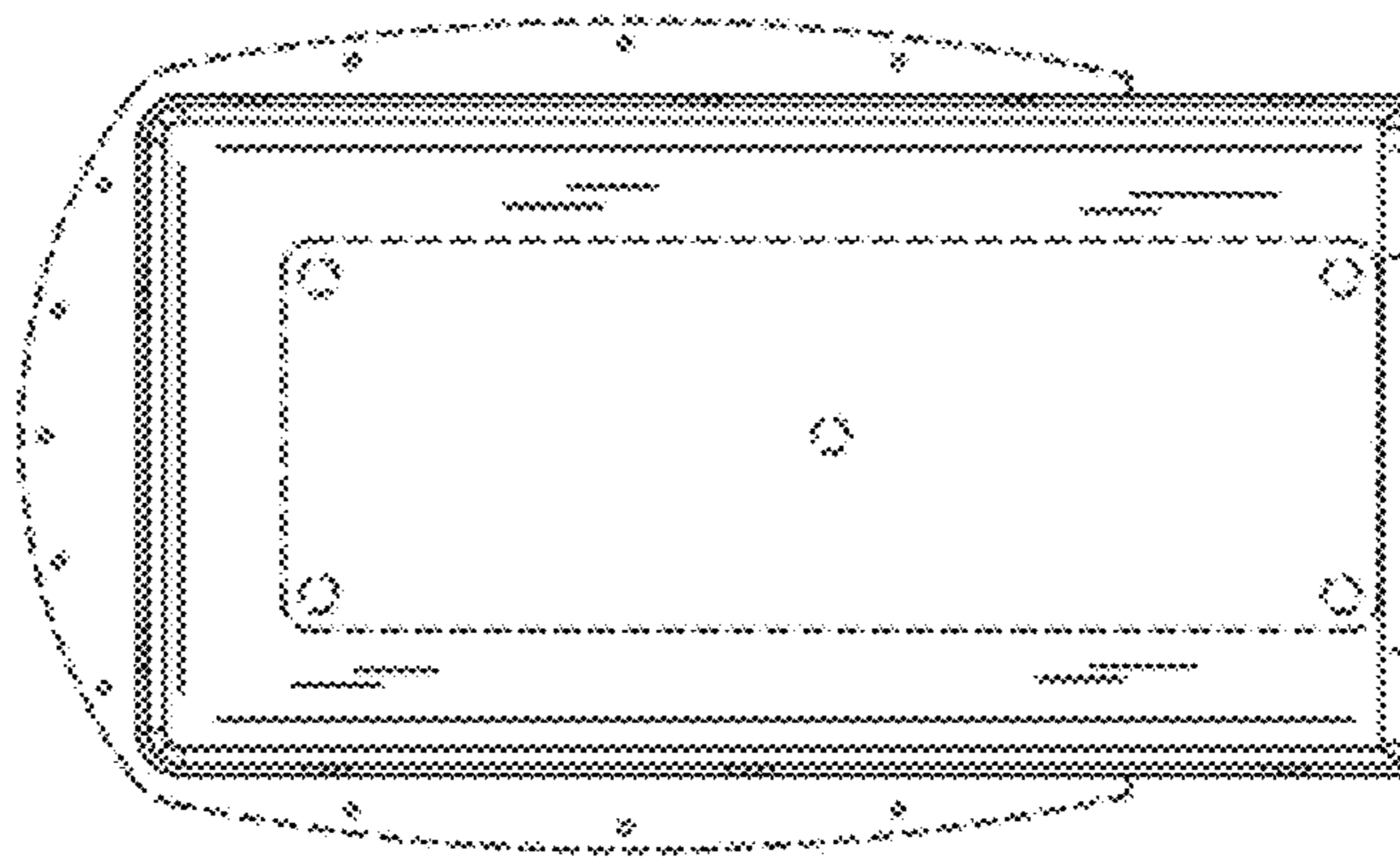


FIG. 5