



US00D660056S

(12) **United States Design Patent**
Diffrient

(10) **Patent No.:** **US D660,056 S**
(45) **Date of Patent:** **** May 22, 2012**

(54) **CHAIR**

3,450,435 A 6/1969 Stephens
3,489,458 A 1/1970 Karlsen

(Continued)

(75) Inventor: **Niels Diffrient**, Ridgefield, CT (US)

(73) Assignee: **Humanscale Corporation**, New York, NY (US)

FOREIGN PATENT DOCUMENTS

DE 4023607 1/1992

(Continued)

(**) Term: **14 Years**

(21) Appl. No.: **29/406,826**

OTHER PUBLICATIONS

(22) Filed: **Nov. 18, 2011**

U.S. Appl. No. 12/390,620, filed Feb. 23, 2009; entitled Seating Apparatus with reclining movement; Inventor: Niels Diffrient.

(Continued)

Related U.S. Application Data

(63) Continuation of application No. 11/425,298, filed on Jun. 20, 2006, now Pat. No. 8,061,775.

Primary Examiner — Mimosa De

(51) **LOC (9) Cl.** **06-01**

(74) *Attorney, Agent, or Firm* — Jones, Walker, Waechter, Poitevent, Carrere & Denegre, L.L.P.

(52) **U.S. Cl.** **D6/500; D6/366**

(58) **Field of Classification Search** D6/334–336, D6/364, 365, 366, 367, 374, 375, 379, 500–502; 297/411.29, 411.35, 285, 340, 341, 300.1–300.5, 297/452.13, 452.29

(57) **CLAIM**

I claim the ornamental design for a chair, as shown and described.

See application file for complete search history.

DESCRIPTION

(56) **References Cited**

U.S. PATENT DOCUMENTS

2,126,439 A	8/1938	Zerbee
2,324,902 A	8/1938	Benzick et al.
2,456,797 A	12/1948	Sheldrick
2,473,895 A	6/1949	Mednick
2,497,395 A	2/1950	Cramer, Sr.
2,778,408 A	1/1957	Krikorian
2,838,095 A	6/1958	Deaton
2,859,799 A	11/1958	Moore
2,859,801 A	11/1958	Moore
3,041,109 A	6/1962	Albinson et al.
3,337,267 A	8/1967	Rogers, Jr.

FIG. 1 is a front perspective view of a chair embodying the present invention;

FIG. 2 is a front view of the chair of FIG. 1;

FIG. 3 is a rear view of the chair of FIG. 1;

FIG. 4 is a right side view of the chair of FIG. 1;

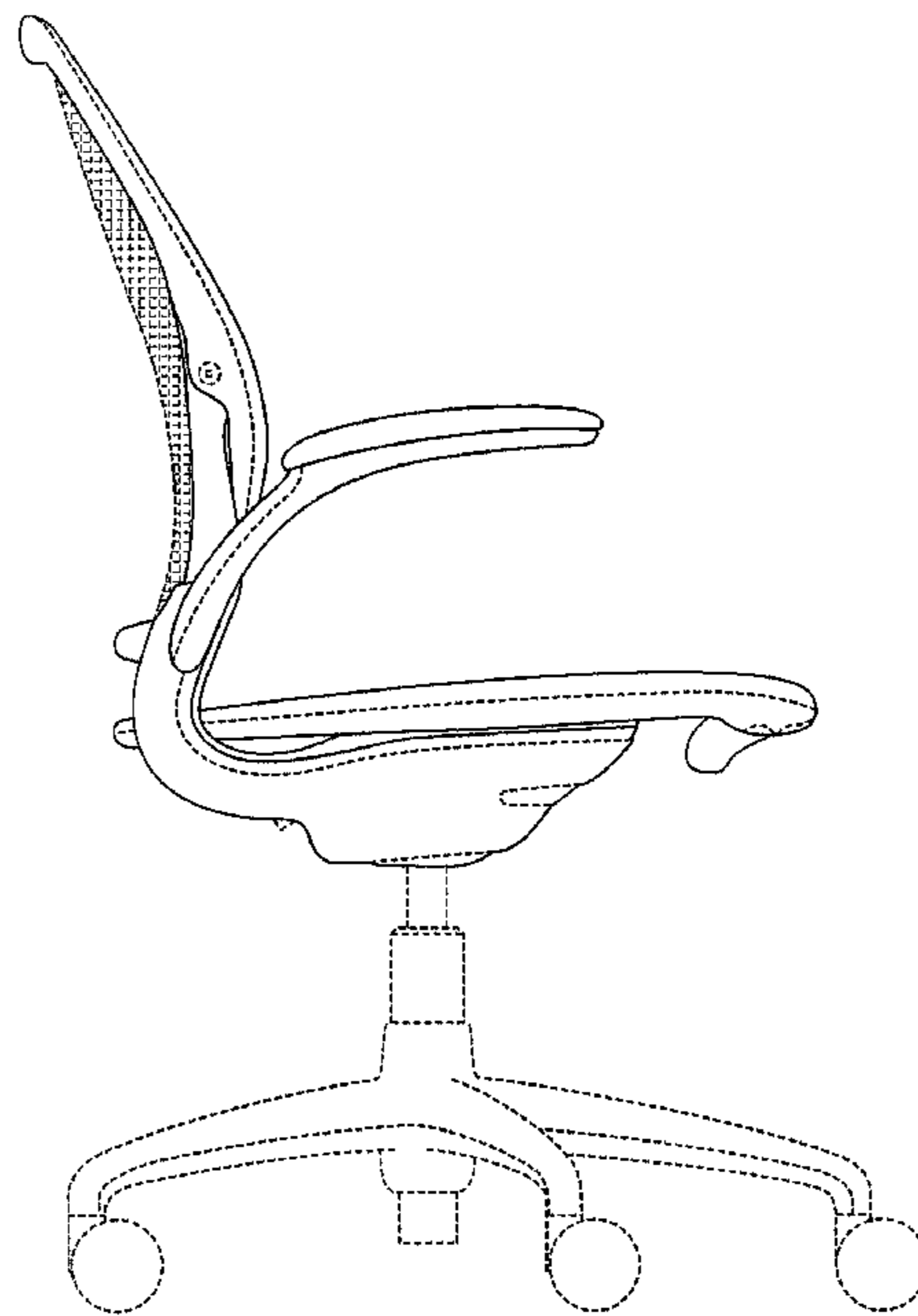
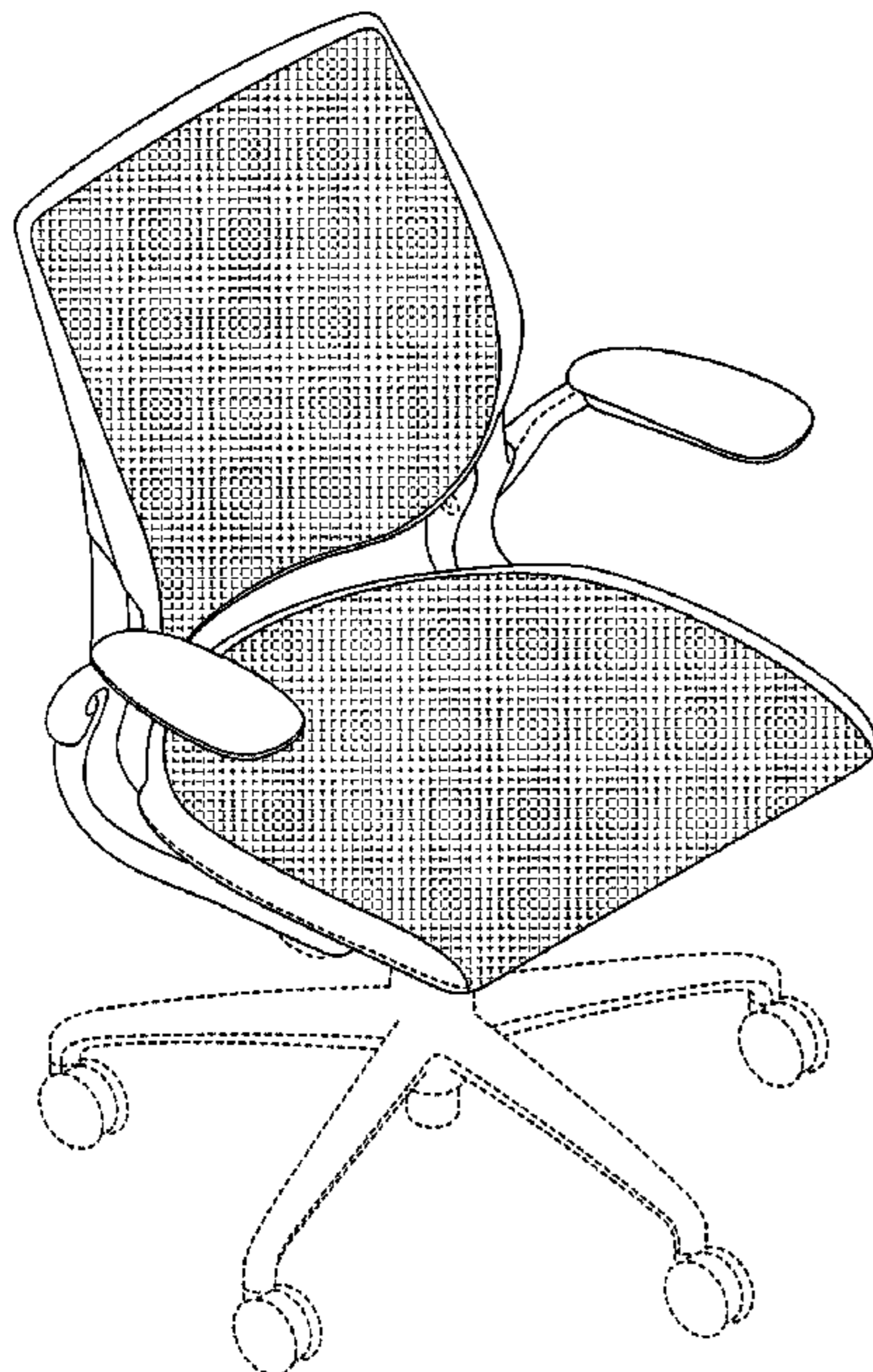
FIG. 5 is a left side view of the chair of FIG. 1;

FIG. 6 is a top view of the chair of FIG. 1; and,

FIG. 7 is a bottom view of the chair of FIG. 1.

The broken lines shown herein, including the intersecting broken lines covering the chair back support surface and chair seat support surface, are for illustrative purposes only and form no part of the claimed design.

1 Claim, 7 Drawing Sheets



U.S. PATENT DOCUMENTS		
3,904,242	A	9/1975 Koepke et al.
3,947,069	A	3/1976 Lusch
4,270,798	A	6/1981 Harder, Jr.
4,379,589	A	4/1983 Marino
4,408,800	A	10/1983 Knapp
4,411,469	A	10/1983 Drabert et al.
4,429,917	A	2/1984 Diffrient
4,451,085	A	5/1984 Franck et al.
D274,675	S	7/1984 Diffrient
4,478,454	A	10/1984 Faiks
4,479,679	A	10/1984 Fries et al.
4,555,139	A	11/1985 Leib
4,685,730	A	8/1987 Linguanotto
4,709,962	A	12/1987 Steinmann
4,709,963	A	12/1987 Uecker et al.
4,732,424	A	3/1988 Uredat-Neuhoff
4,744,603	A	5/1988 Knoblock
4,761,033	A	8/1988 Lanuzzi et al.
4,765,679	A	8/1988 Lanuzzi et al.
4,842,333	A	6/1989 Meiller
4,877,291	A	10/1989 Taylor
4,966,411	A	10/1990 Katagiri et al.
4,997,234	A	3/1991 Royle et al.
5,018,791	A	5/1991 Zapf
5,035,466	A	7/1991 Mathews et al.
5,080,318	A	1/1992 Takamatsu et al.
5,150,948	A	9/1992 Volkle
5,288,138	A	2/1994 Stulik et al.
5,314,237	A	5/1994 Koepke et al.
5,354,120	A	10/1994 Volkle
5,366,274	A	11/1994 Roericht et al.
5,486,035	A	1/1996 Koepke et al.
5,577,807	A	11/1996 Hodge et al.
5,582,459	A	12/1996 Hama et al.
5,725,276	A	3/1998 Ginat
5,725,277	A	3/1998 Knoblock
5,806,930	A	9/1998 Knoblock
5,931,531	A	8/1999 Assmann
6,012,774	A	1/2000 Potter
6,035,901	A	3/2000 Stumpf et al.
6,059,368	A	5/2000 Stumpf et al.
6,086,153	A	7/2000 Heidmann et al.
6,113,186	A	9/2000 Holmes et al.
6,125,521	A	10/2000 Stumpf et al.
6,296,312	B1	10/2001 Congleton et al.
6,311,939	B1	11/2001 Christensen
D456,627	S *	5/2002 Pearce et al. D6/366
D457,739	S *	5/2002 Pearce et al. D6/366
6,386,634	B1	5/2002 Stumpf et al.
6,386,636	B2	5/2002 Caruso et al.
6,394,549	B1	5/2002 DeKraker et al.
6,460,932	B1	10/2002 Kopish et al.
6,550,866	B1	4/2003 Su
6,568,760	B2	5/2003 Davis et al.
6,588,842	B2	7/2003 Stumpf et al.
6,634,717	B2	10/2003 Kown
6,669,143	B1	12/2003 Johnson
6,679,553	B2 *	1/2004 Battey et al. 297/300.4
6,685,267	B1	2/2004 Johnson et al.
6,688,698	B1	2/2004 Chou et al.
6,702,390	B2	3/2004 Stumpf et al.
6,709,058	B1	3/2004 Diffrient
6,722,741	B2	4/2004 Stumpf et al.
6,726,286	B2	4/2004 Sayers et al.
6,729,691	B2	5/2004 Koepke et al.
6,733,080	B2	5/2004 Stumpf et al.
6,802,568	B1	10/2004 Johnson
6,817,668	B2	11/2004 DeKraker et al.
6,837,545	B1	1/2005 Ho
D507,909	S	8/2005 Grove
6,923,505	B2	8/2005 Siminovitch et al.
6,942,300	B2	9/2005 Numa et al.
6,945,602	B2	9/2005 Fookes et al.

6,959,965	B2	11/2005 Diffrient
6,983,997	B2	1/2006 Wilkerson et al.
7,014,269	B2	3/2006 Coffield et al.
7,234,777	B2	6/2007 Schweikarth et al.
D575,960	S *	9/2008 Su D6/366
7,425,037	B2	9/2008 Schmitz et al.
D587,915	S *	3/2009 Igarashi D6/366
7,500,718	B2 *	3/2009 Fookes 297/303.3
7,770,979	B2	8/2010 He
7,828,390	B2	11/2010 Liu et al.
8,061,775	B2	11/2011 Diffrient
2001/0028188	A1	10/2001 Stumpf et al.
2001/0030457	A1	10/2001 Gregory
2003/0001420	A1	1/2003 Koepke et al.
2003/0214171	A1	11/2003 Burwell
2004/0090104	A1	5/2004 Seibold
2004/0189073	A1	9/2004 Chadwick et al.
2005/0258678	A1	11/2005 Wilkerson et al.
2005/0275265	A1	12/2005 Deimen et al.
2006/0103221	A1	5/2006 Kleist
2006/0103222	A1	5/2006 Caruso
2007/0001497	A1	1/2007 Diffrient
2009/0152930	A1	6/2009 Diffrient

FOREIGN PATENT DOCUMENTS

DE	10051840	5/2002
GB	577369	5/1946
GB	1291263	10/1972
GB	1428185	3/1976
JP	5764014	4/1982
JP	61247418	A 11/1986
JP	08336435	A 12/1996
JP	2001008785	1/2001
RU	2004123795	5/2005
WO	0193907	12/2001
WO	2004037046	5/2004
WO	2005112704	12/2005
WO	2005112704	A2 12/2005
WO	2005112704	A3 12/2005
WO	2008020824	2/2008

OTHER PUBLICATIONS

PCT/US2005/016550—Mesh Chair Component—EPO as International Searching Authority—International Preliminary Examination Report dated Sep. 21, 2006.

EPO Application No. 05747961.0—Mesh Chair Component—Examiner's Action dated Apr. 26, 2007.

EPO Application No. 05747961.0—Mesh Chair Component—Examiner's Action dated Oct. 5, 2007.

EPO Application No. 05747961.0—Mesh Chair Component—Examiner's Action dated May 5, 2008.

CA Application No. 2566429—Mesh Chair Component—Examiners Action dated Apr. 29, 2008.

U.S. Appl. No. 07/898,907—Office Chair; filed on Jun. 15, 1992.

PCT/US2006/023834; Seating Apparatus with Reclining Movement; Humanscale Corporation, Written Opinion issued on Jun. 30, 2008.

EP Application No. 08005519; Seating Apparatus with Reclining Movement, Humanscale Corporation, Search Report issued on Sep. 26, 2008.

Notification of Transmittal of International Preliminary Report on Patentability; PCT Application No. PCT/US2006/02834; filed Aug. 15, 2006 by the International Preliminary Examining Authority, U.S. The Knoll Product Manual; pp. 110-119.

PCT/US2005/016550—Mesh Chair Component—EPO as International Searching Authority—Written Opinion dated Mar. 28, 2006.

PCT/US2006/023834—Seating Apparatus—EPO as International Searching Authority—Written Opinion dated Feb. 15, 2009.

PCT/US2009/60680—Notification of Transmittal of International Preliminary Report on Patentability dated Jan. 11, 2012.

* cited by examiner

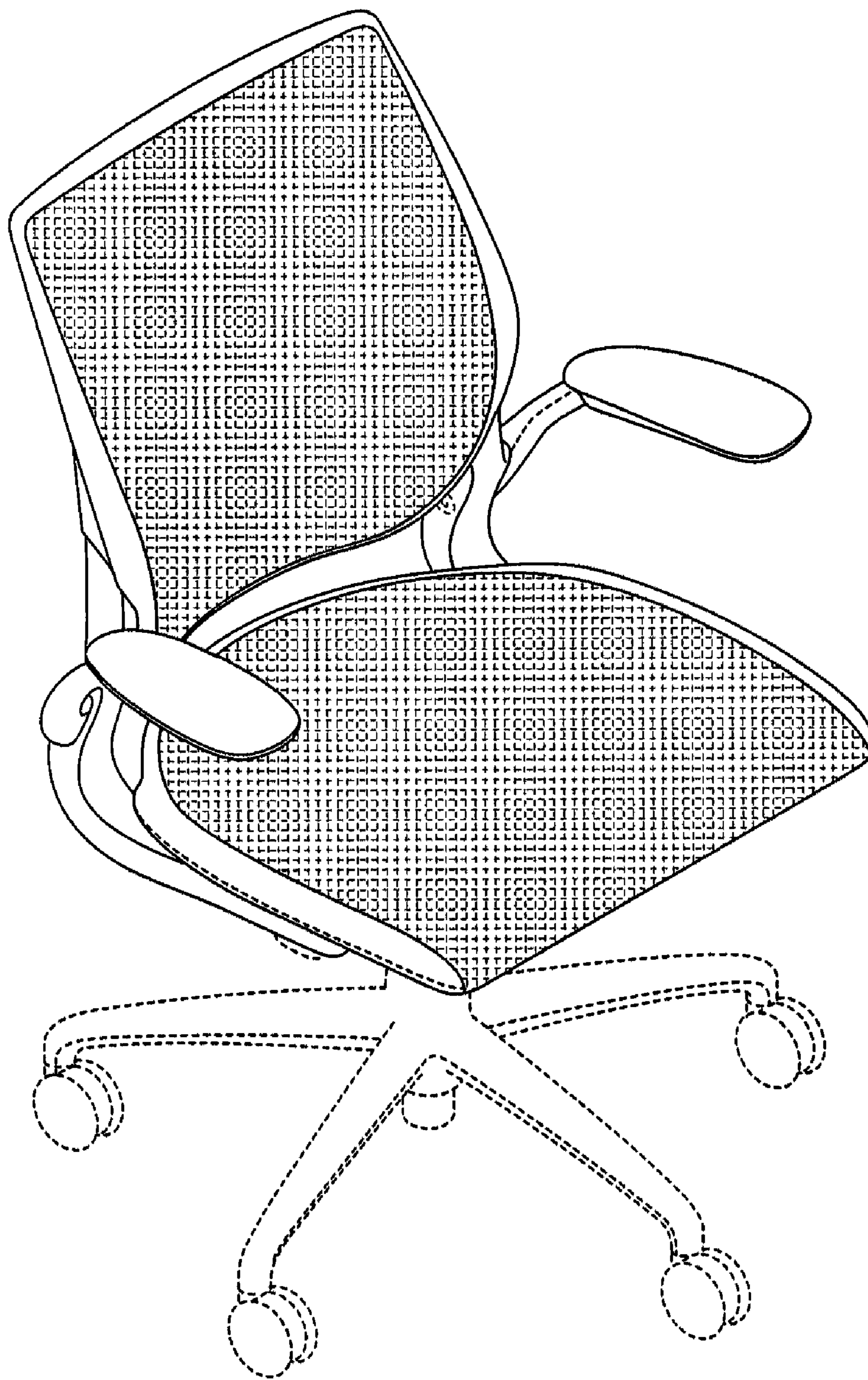


FIG. 1

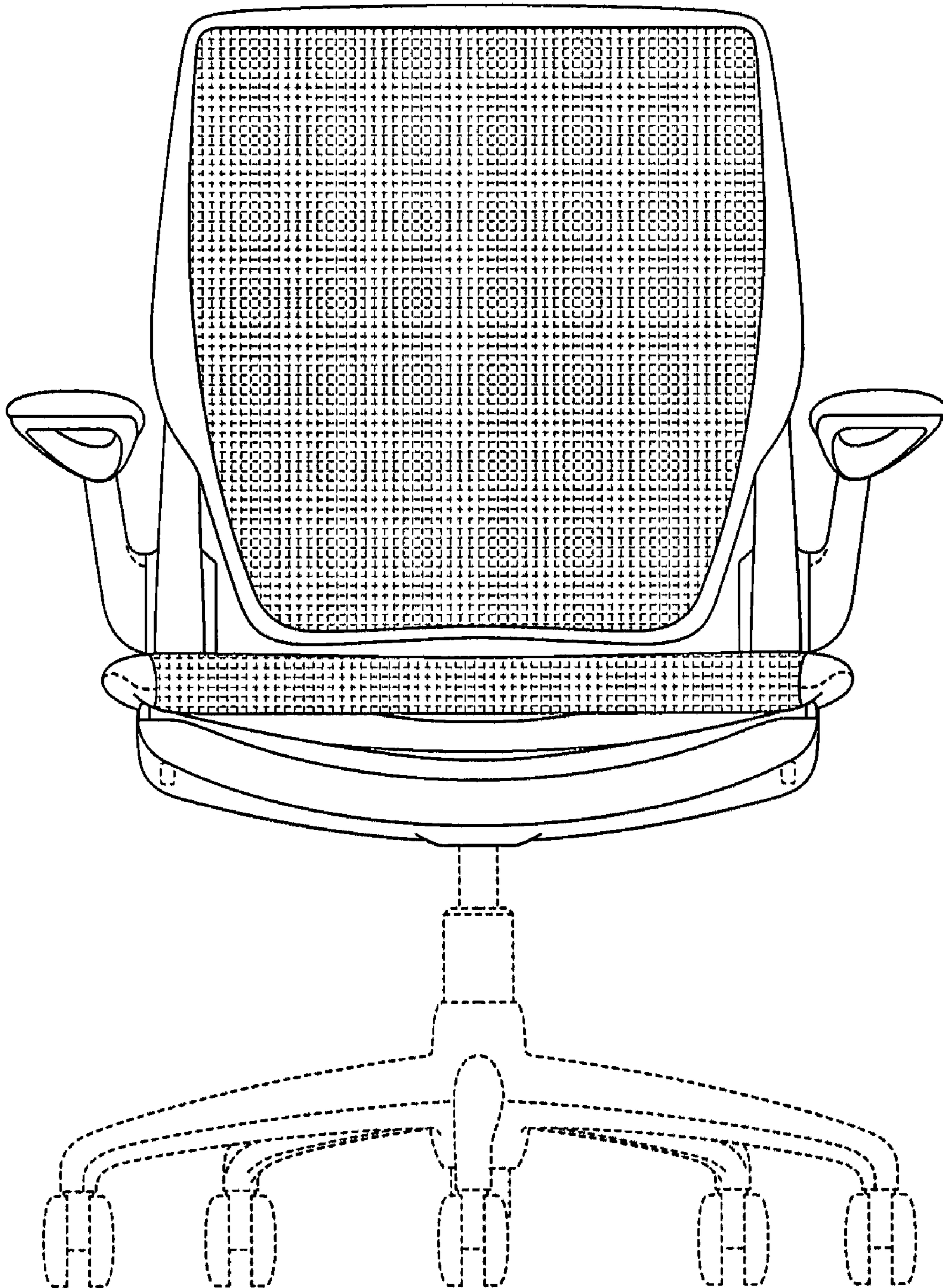


FIG. 2

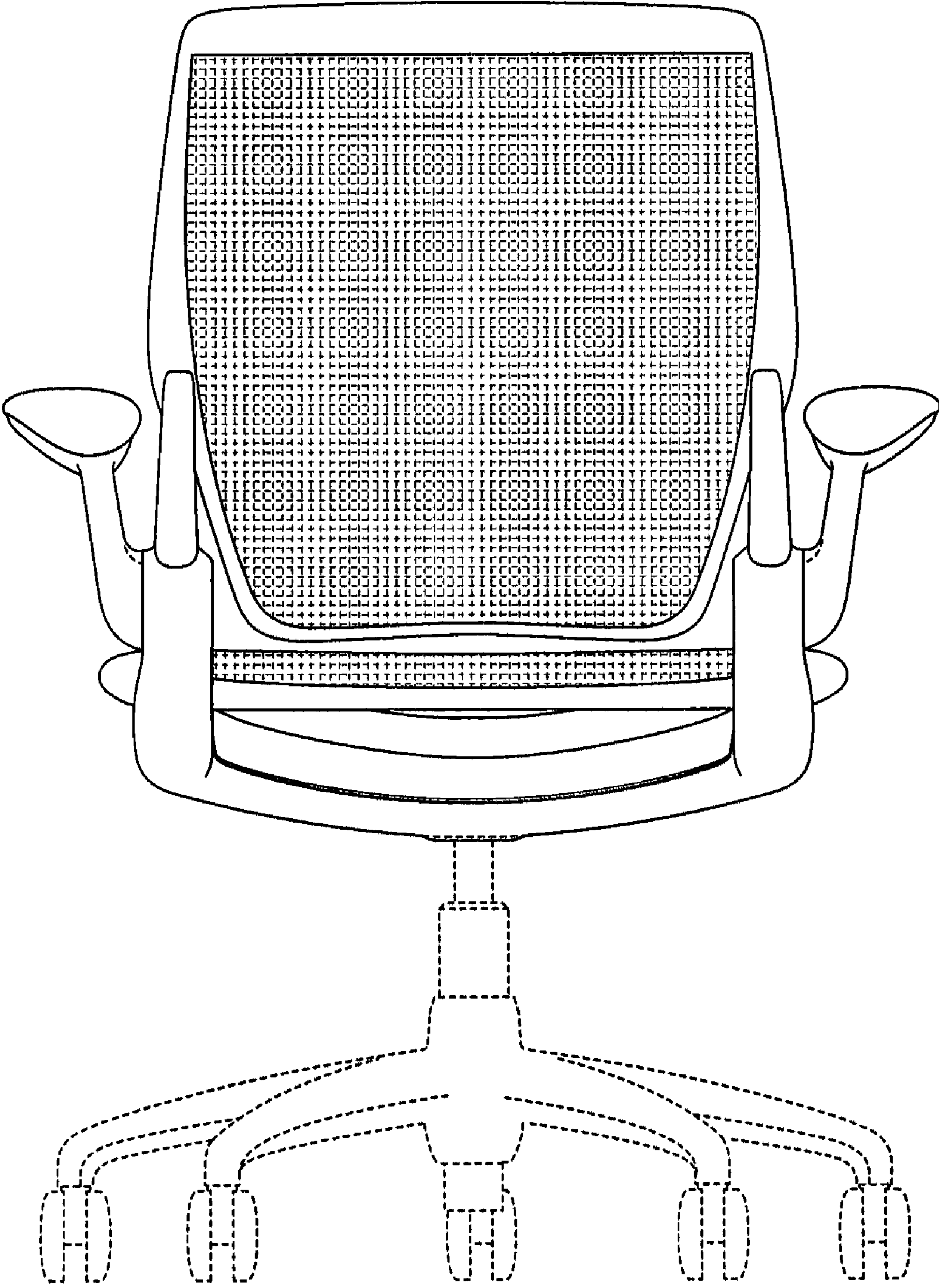


FIG. 3

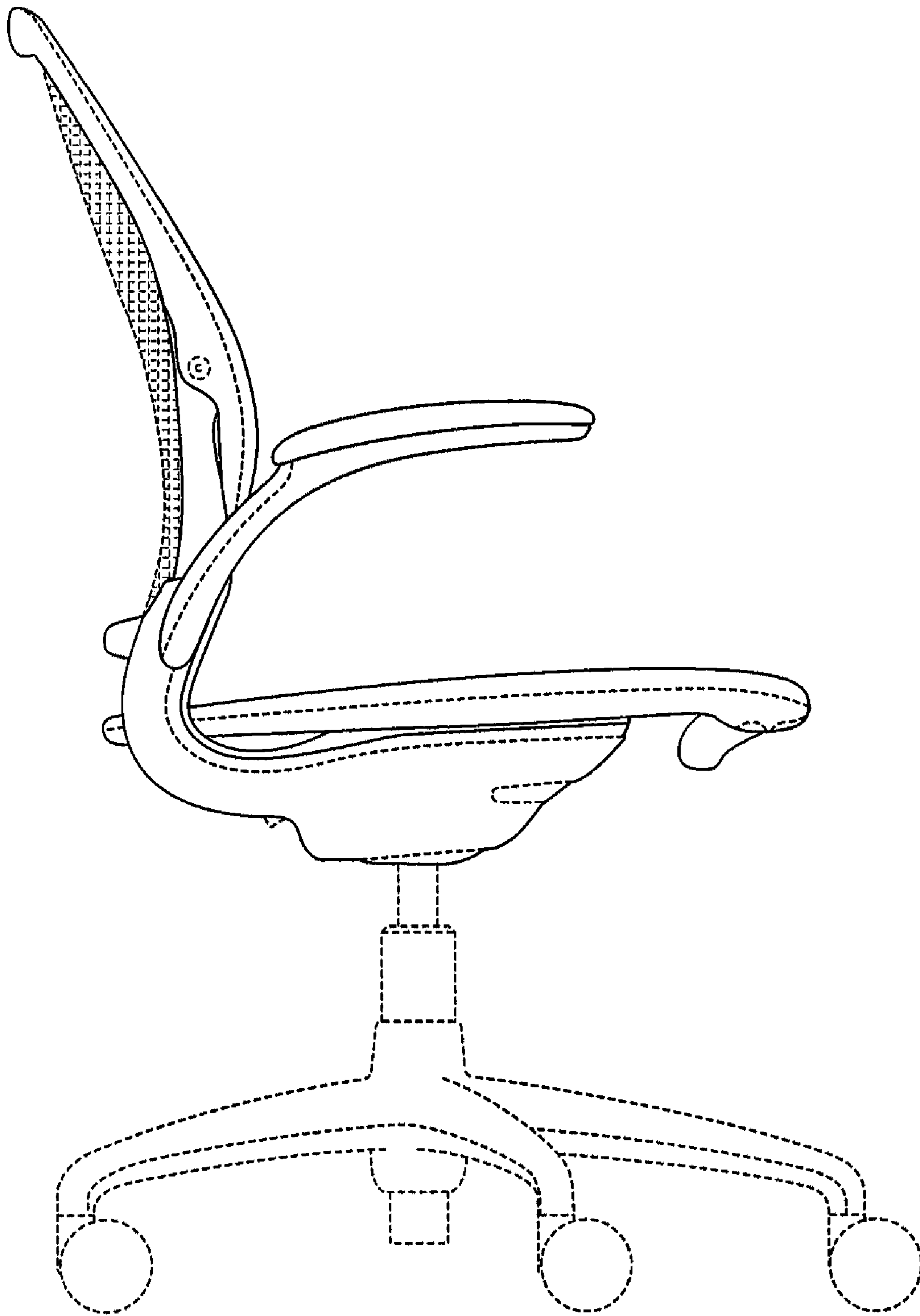


FIG. 4

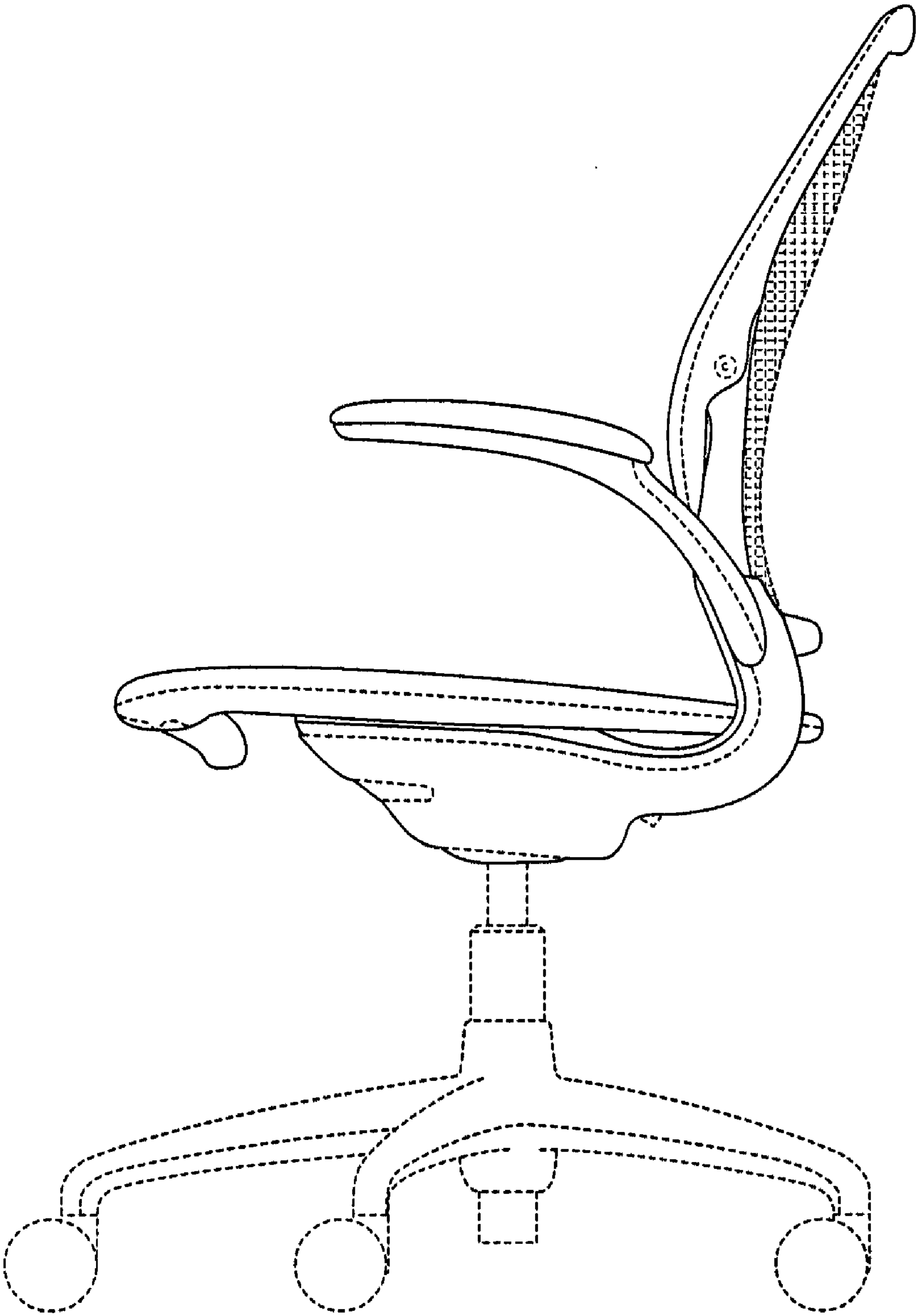


FIG. 5

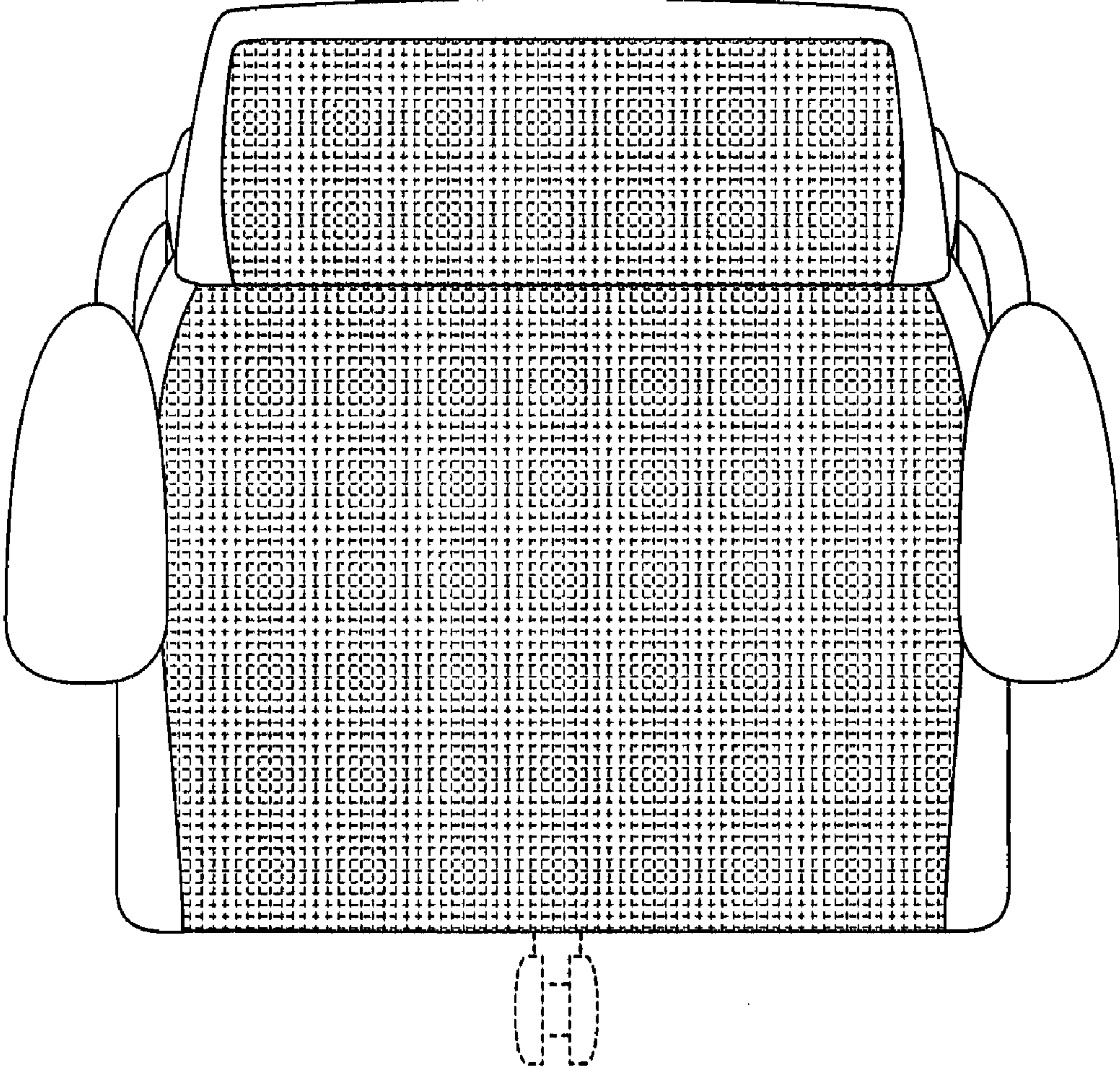


FIG. 6

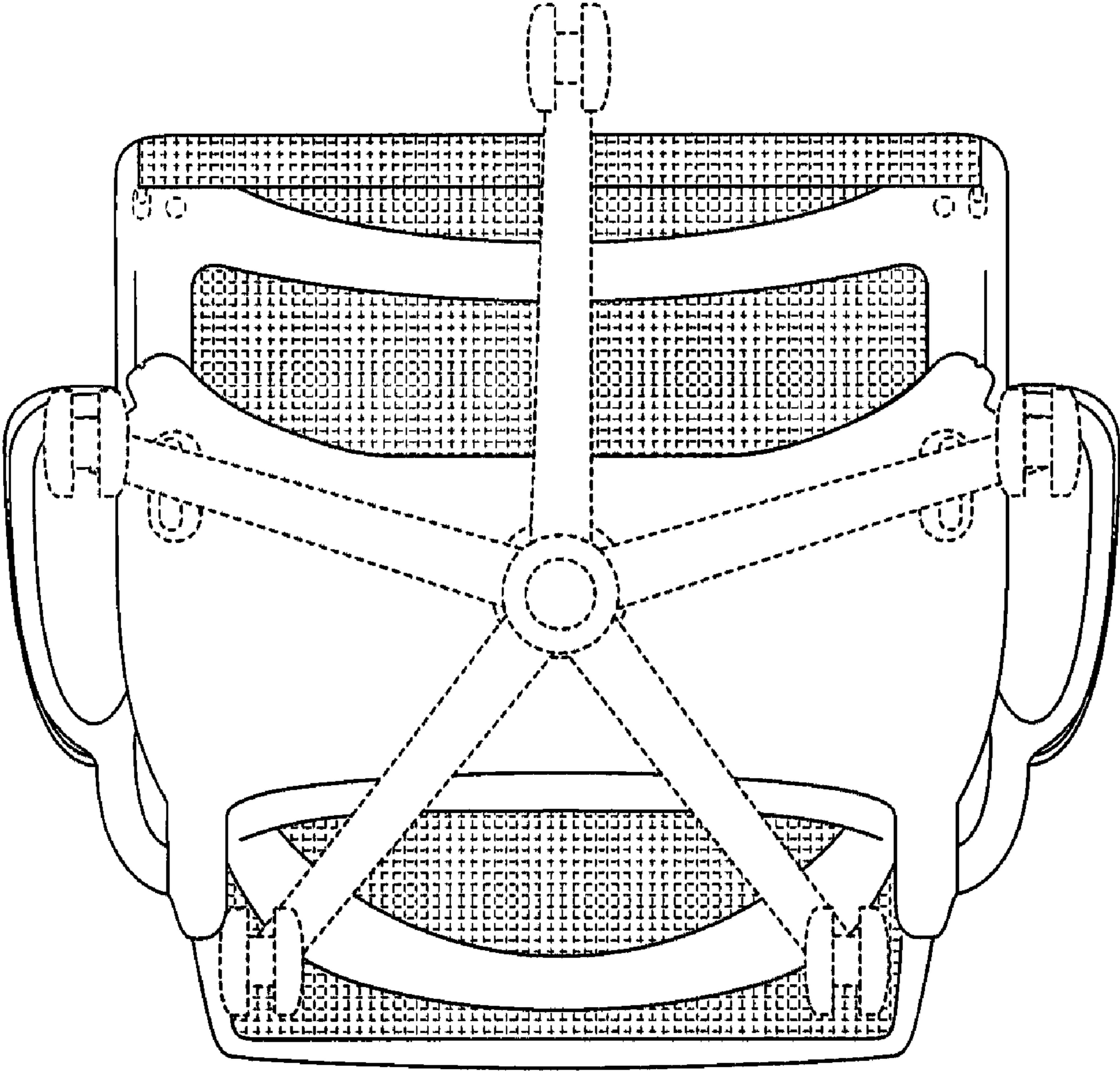


FIG. 7