

US00D660055S

(12) **United States Design Patent**
Kane

(10) **Patent No.:** **US D660,055 S**

(45) **Date of Patent:** **** May 22, 2012**

(54) **SEATING UNIT**

(75) Inventor: **Brian Kane**, San Francisco, CA (US)

(73) Assignee: **Steelcase Inc.**, Grand Rapids, MI (US)

(**) Term: **14 Years**

(21) Appl. No.: **29/357,878**

(22) Filed: **Mar. 18, 2010**

(51) **LOC (9) Cl.** **06-01**

(52) **U.S. Cl.** **D6/500**

(58) **Field of Classification Search** D6/334-336,
D6/360, 364, 365, 366, 372, 373, 374, 375,
D6/376, 379, 380, 500-502; 297/161, 445.1,
297/446.1, 451.11, 452.12, 452.14, 452.19,
297/DIG. 2

See application file for complete search history.

(56) **References Cited**

U.S. PATENT DOCUMENTS

3,083,056 A * 3/1963 Ward 297/452.19
D205,939 S * 10/1966 Laverne et al. D6/375
D219,376 S * 12/1970 Pearson D6/364

3,574,400 A * 4/1971 Day 297/452.14
D226,648 S * 4/1973 Sebel et al. D6/375
4,427,232 A * 1/1984 Malm 297/161
D288,506 S * 3/1987 Ochsner D6/375

* cited by examiner

Primary Examiner — Mimoso De

(74) *Attorney, Agent, or Firm* — Price Heneveld LLP

(57) **CLAIM**

I claim the ornamental design for seating unit, as shown.

DESCRIPTION

FIG. 1 is a perspective view of a seating unit embodying the present invention;

FIG. 2 is a front view of the seating unit shown in FIG. 1;

FIG. 3 is a first side view of the seating unit shown in FIG. 1;

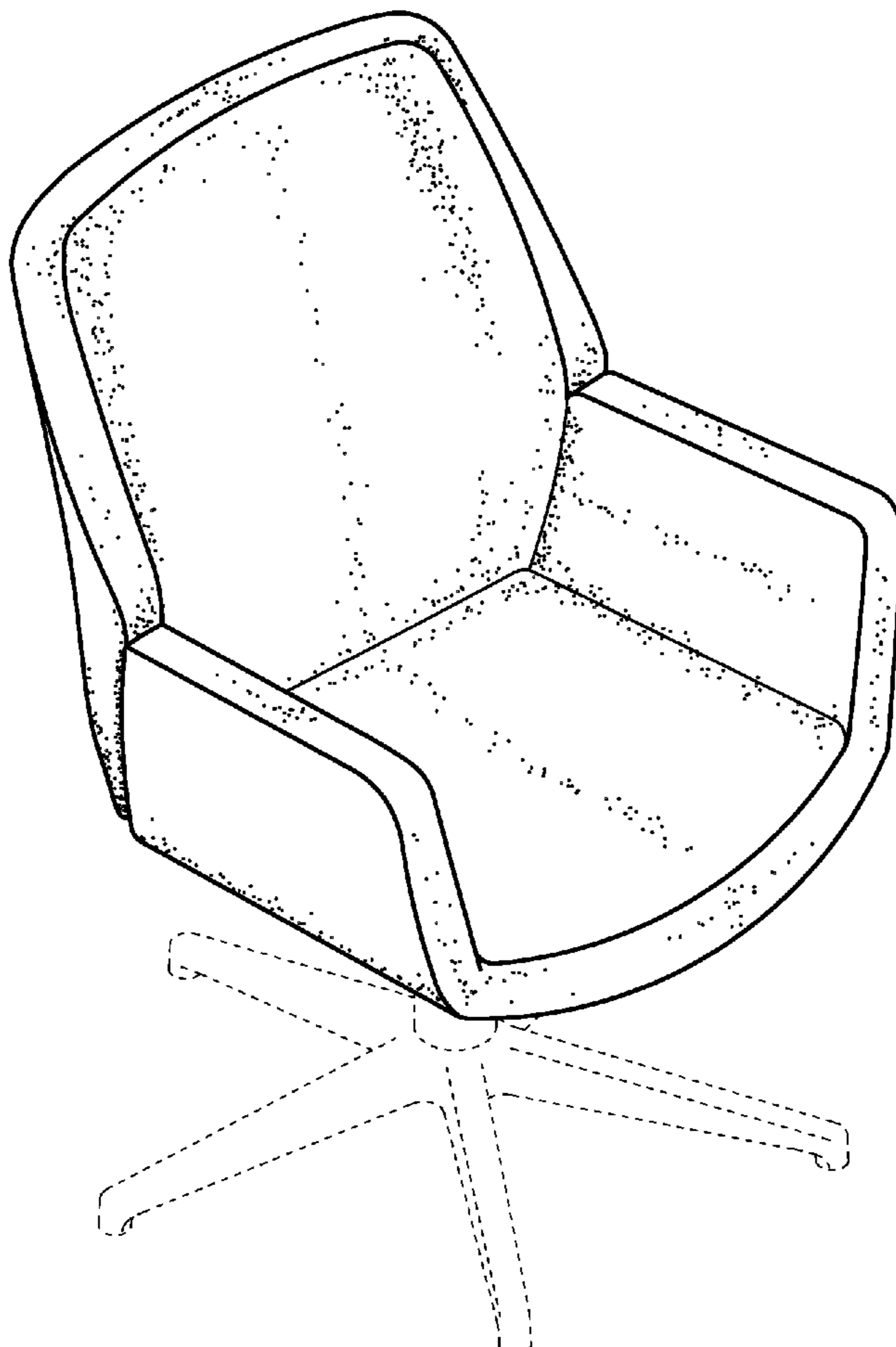
FIG. 4 is a rear view of the seating unit shown in FIG. 1;

FIG. 5 is a second side view of the seating unit shown in FIG. 1; and,

FIG. 6 is a top view of the seating unit shown in FIG. 1.

The dashed lines and broken lines are for the purpose of illustrating environmental structure and form no part of the claimed design.

1 Claim, 6 Drawing Sheets



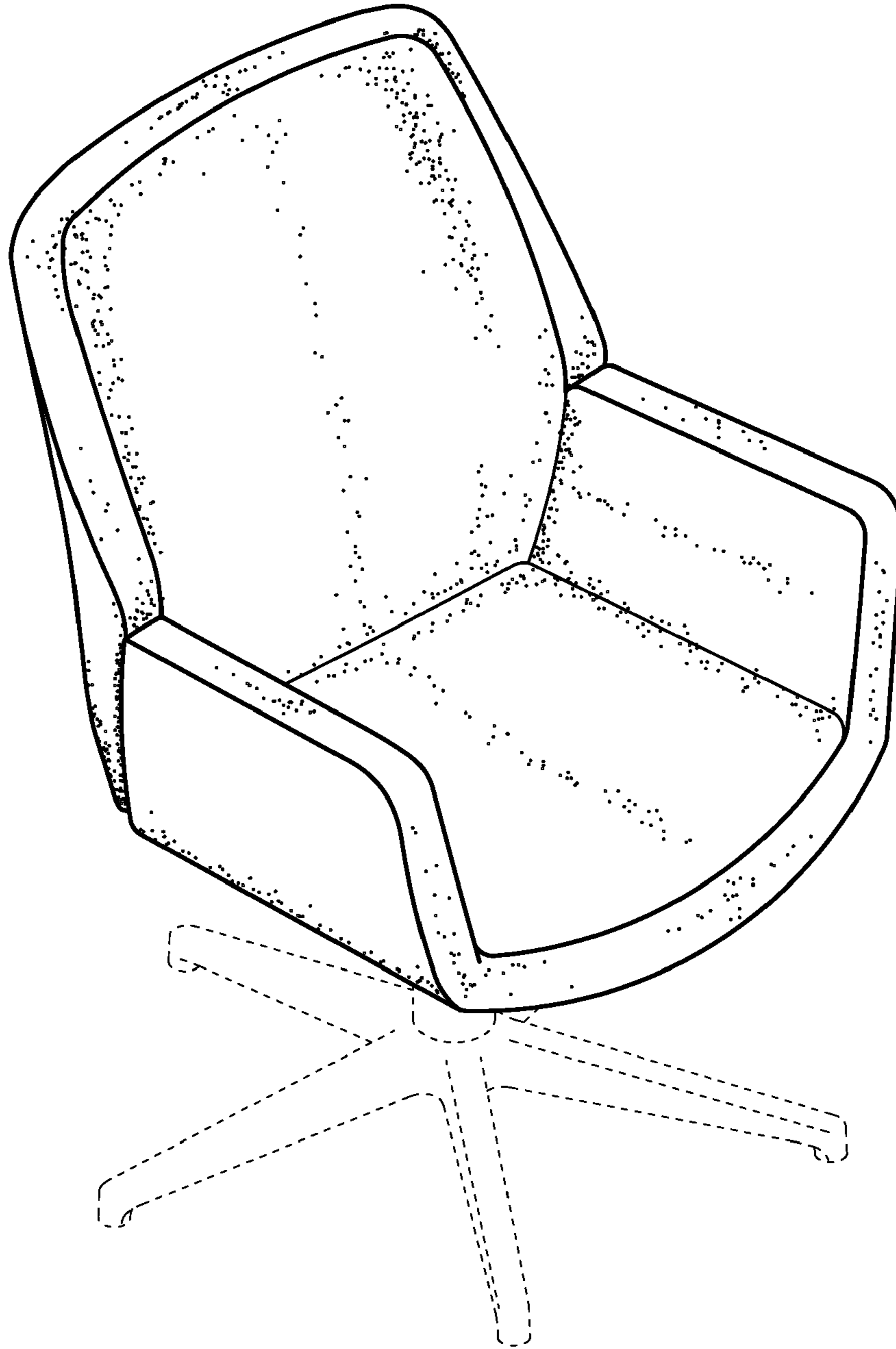


FIG. 1

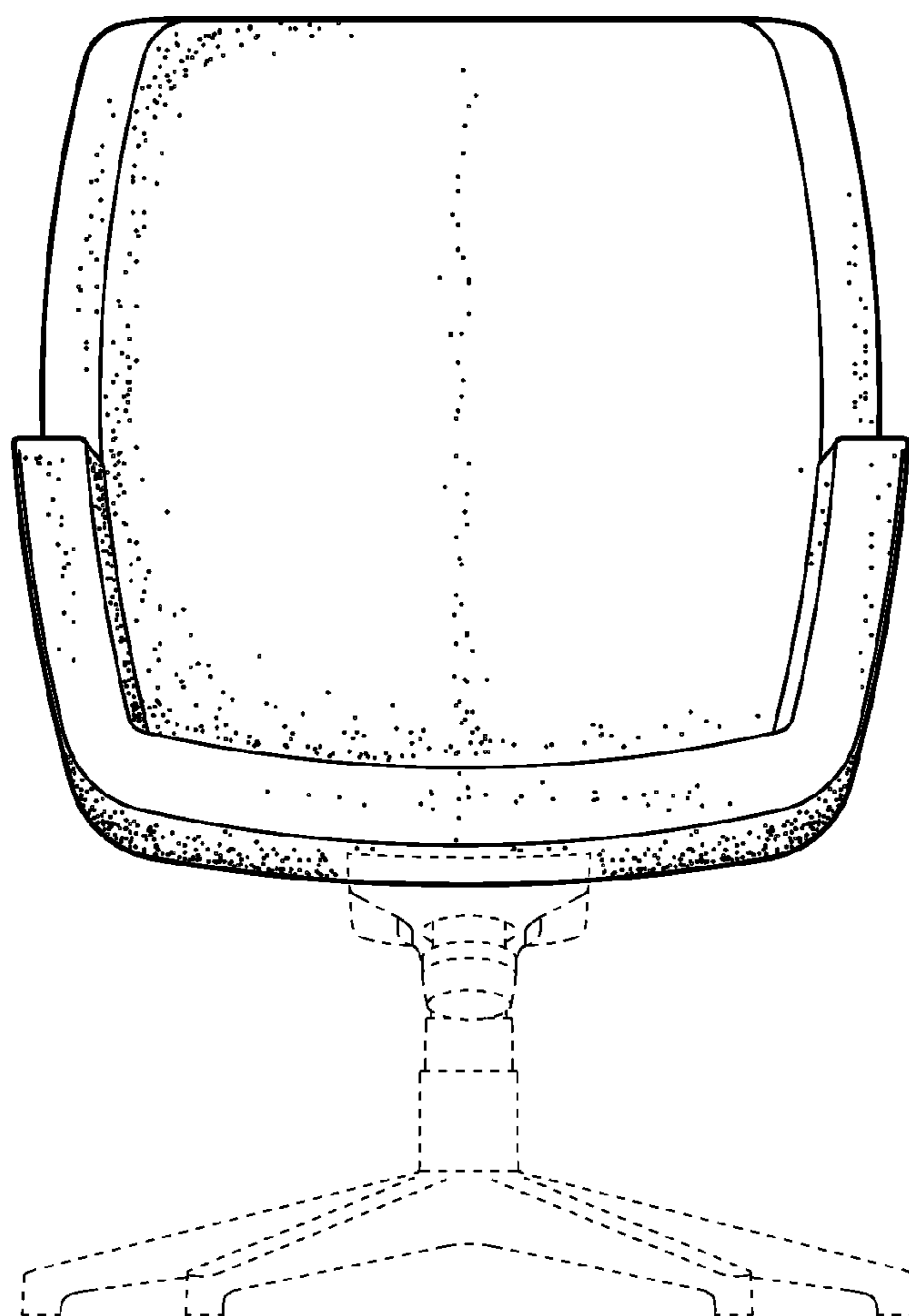


FIG. 2

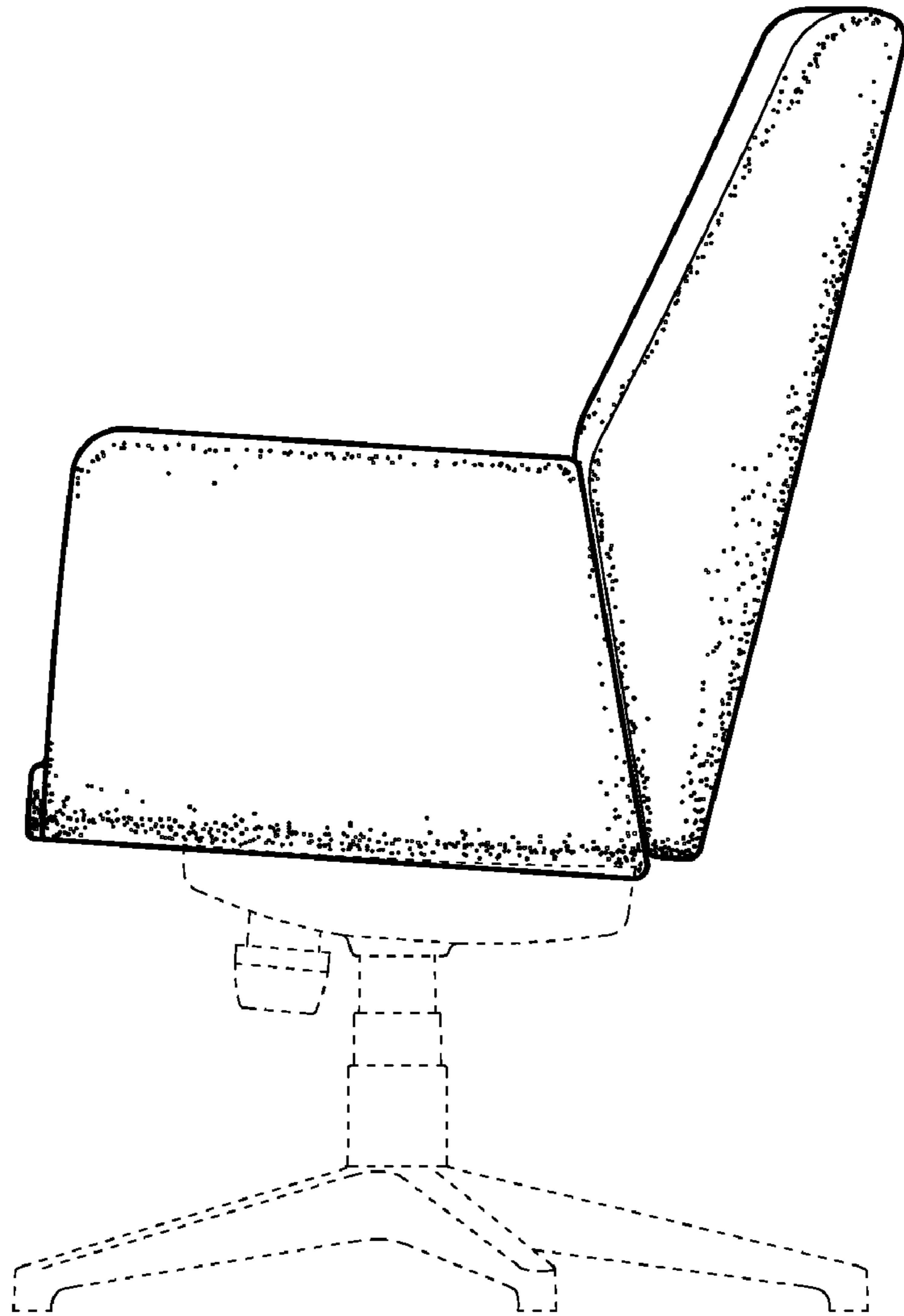


FIG. 3

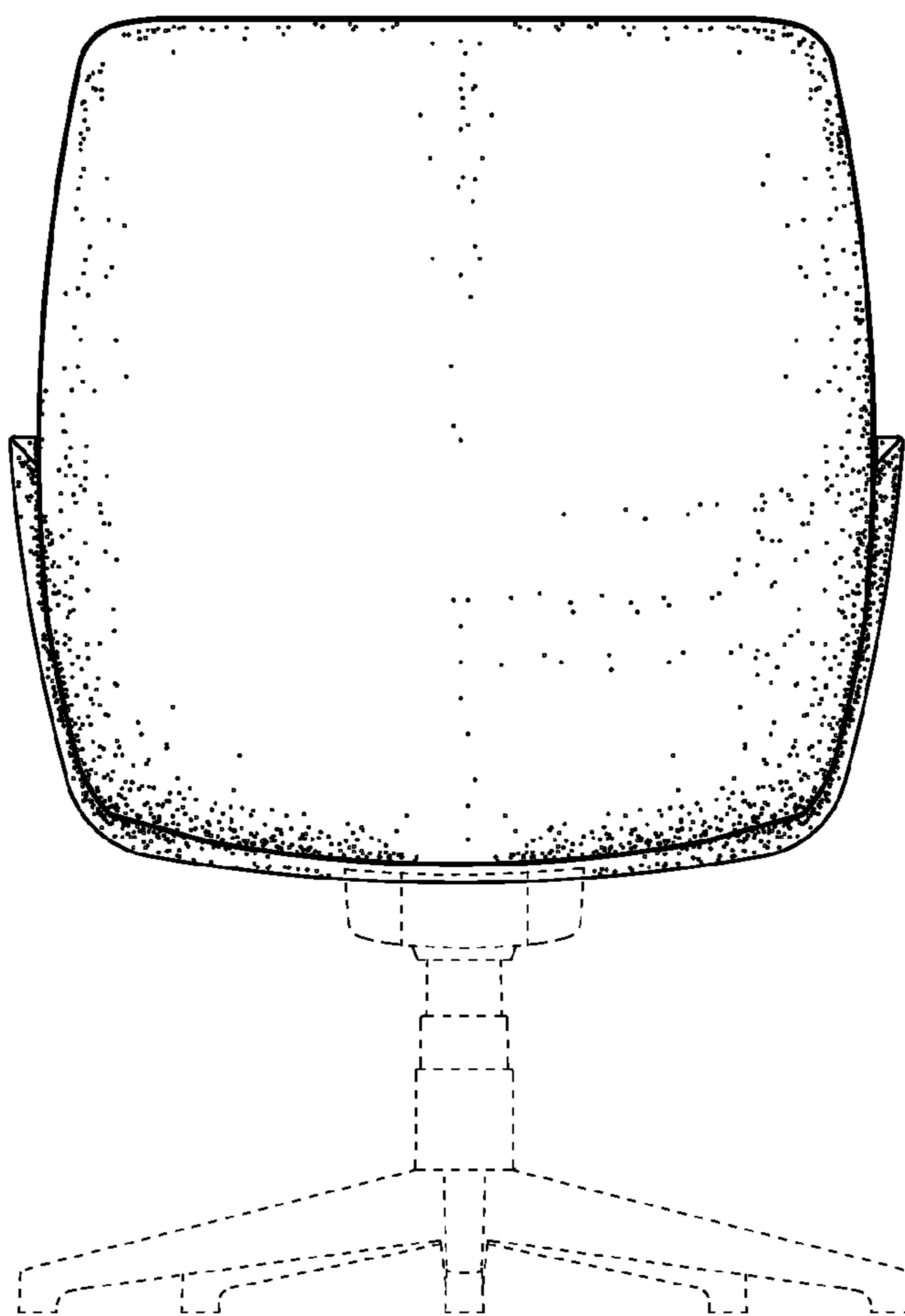


FIG. 4

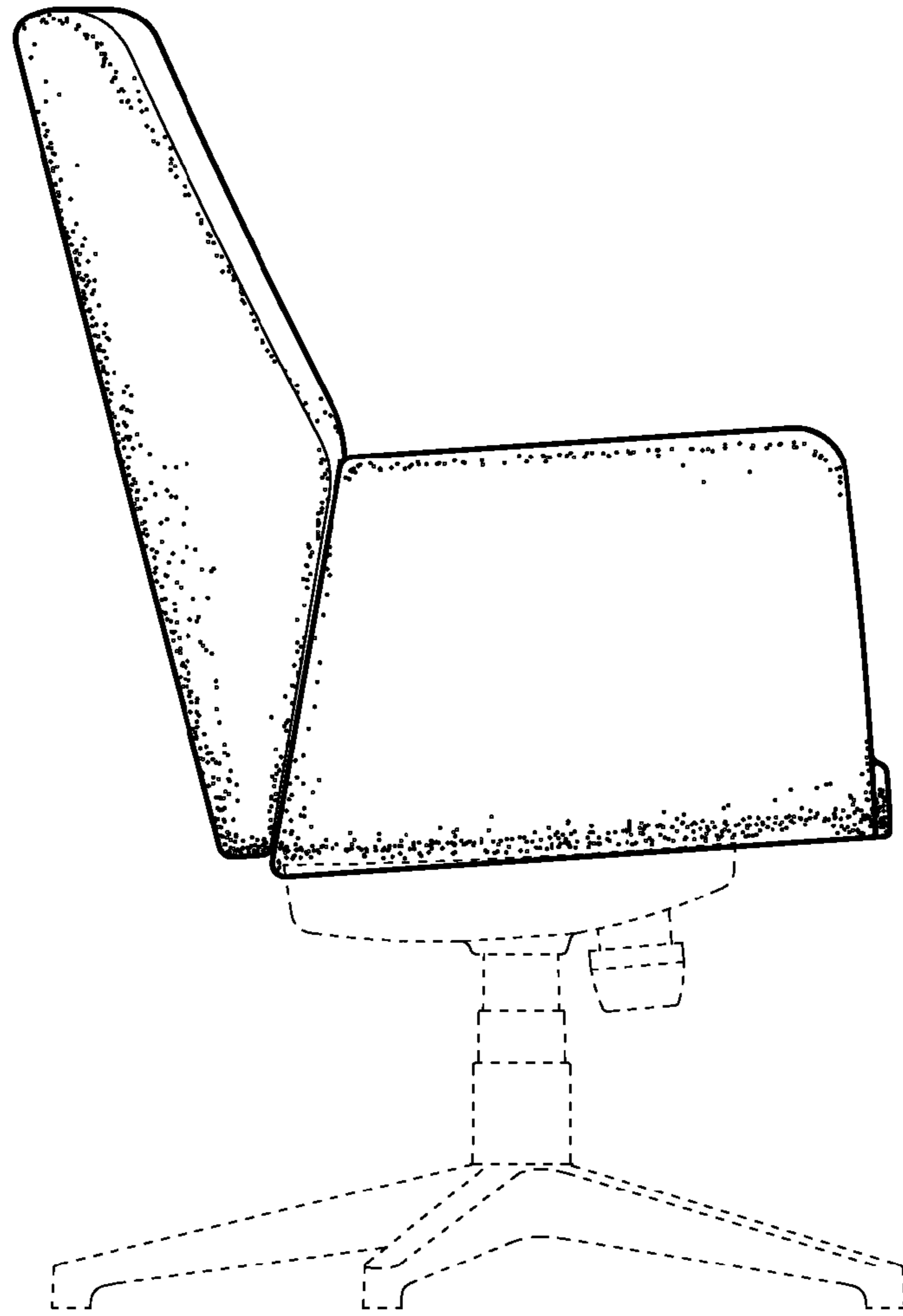


FIG. 5

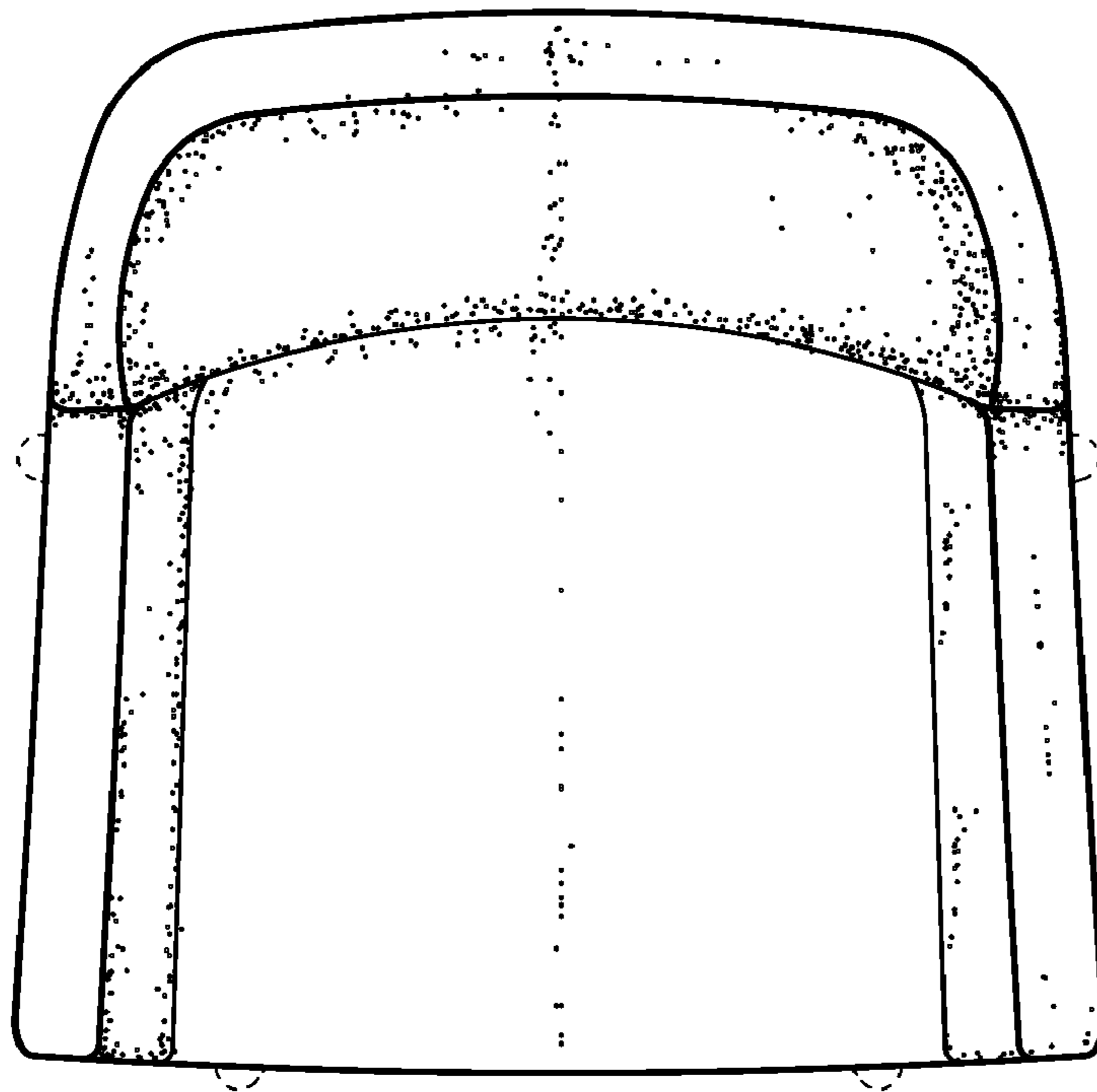


FIG. 6