



US00D660051S

(12) **United States Design Patent**
Lin

(10) **Patent No.:** **US D660,051 S**

(45) **Date of Patent:** **** May 22, 2012**

(54) **SUPPORTING RACK FOR DUST COLLECTOR**

(76) Inventor: **Tony Lin**, Taichung (TW)

(**) Term: **14 Years**

(21) Appl. No.: **29/394,987**

(22) Filed: **Jun. 23, 2011**

(51) **LOC (9) Cl.** **20-02**

(52) **U.S. Cl.** **D6/462; D6/329**

(58) **Field of Classification Search** D6/396,
D6/397, 409, 410, 449, 450, 453-469; 211/1,
211/13.1, 69.1, 69.5, 70, 70.1, 70.6, 74, 77,
211/78, 85.1, 85.2, 85.4, 85.5, 85.21-85.23,
211/85.31, 126.9, 134, 181.1, 182; D3/316;
D7/619.1; D34/6; 248/97

See application file for complete search history.

(56) **References Cited**

U.S. PATENT DOCUMENTS

D396,579 S *	8/1998	Kalayjian	D6/462
D429,922 S *	8/2000	Walker	D6/462
D451,300 S *	12/2001	Stafford et al.	D6/462
D470,336 S *	2/2003	Malizia	D6/462
D620,279 S *	7/2010	Lebon, III	D6/462

D637,015 S *	5/2011	Rogers	D6/462
D640,485 S *	6/2011	Dugger	D6/462

* cited by examiner

Primary Examiner — Brian N Vinson

(74) *Attorney, Agent, or Firm* — Muncy, Geissler, Olds & Lowe, PLLC

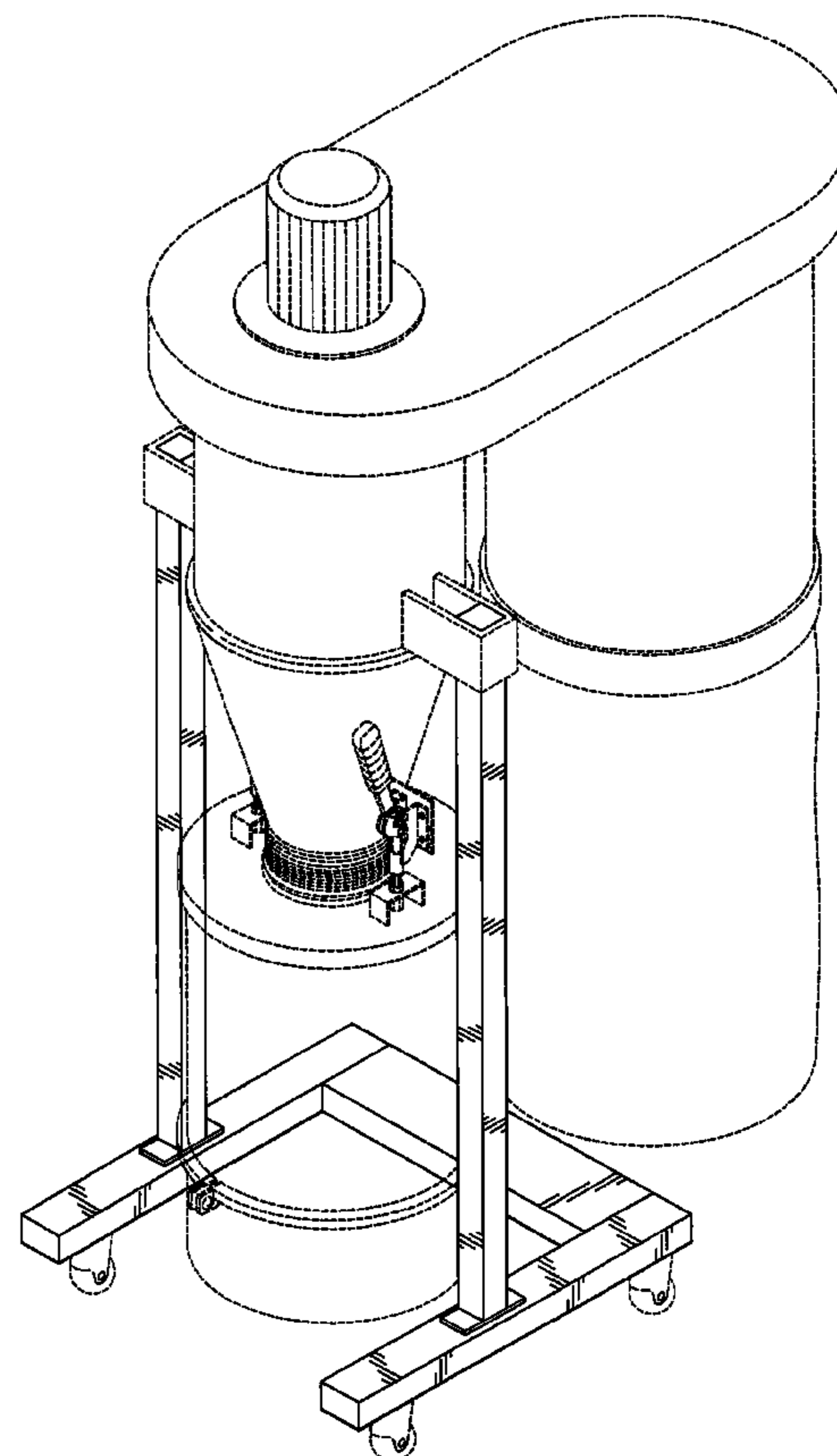
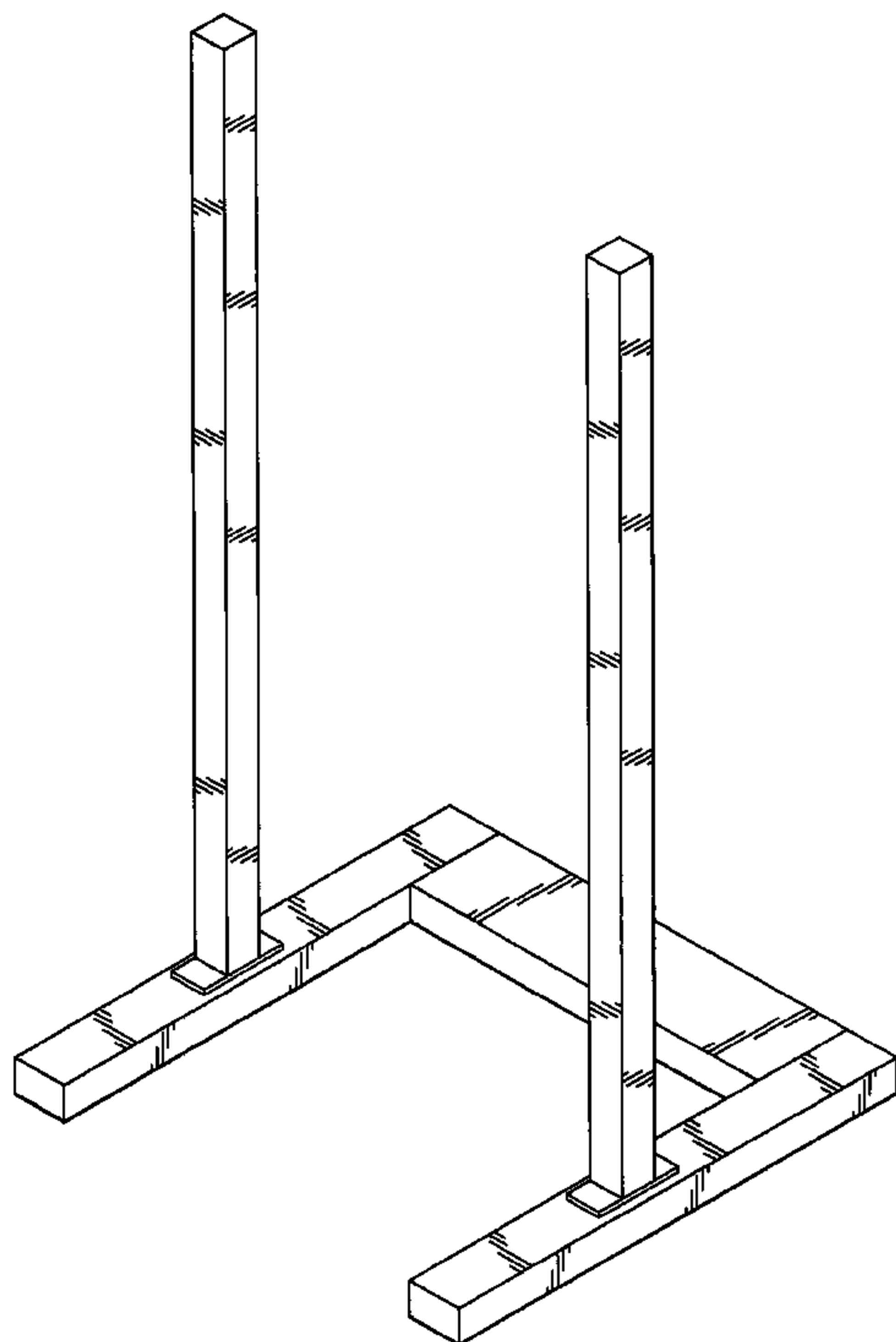
(57) **CLAIM**

I claim the ornamental design for a supporting rack for dust collector, as shown and described.

DESCRIPTION

FIG. 1 is a perspective view of a supporting rack for dust collector showing my new design; FIG. 2 is a front view thereof; FIG. 3 is a rear view thereof; FIG. 4 is a left view thereof; FIG. 5 is a right view thereof; FIG. 6 is a top plan view thereof; FIG. 7 is a bottom plan view thereof; and, FIG. 8 is an embodiment, perspective view of my design for a supporting rack for dust collector in use. The dust collector and the wheels of supporting rack are shown in broken lines for illustrative purposes only and form no part of the claimed design.

1 Claim, 8 Drawing Sheets



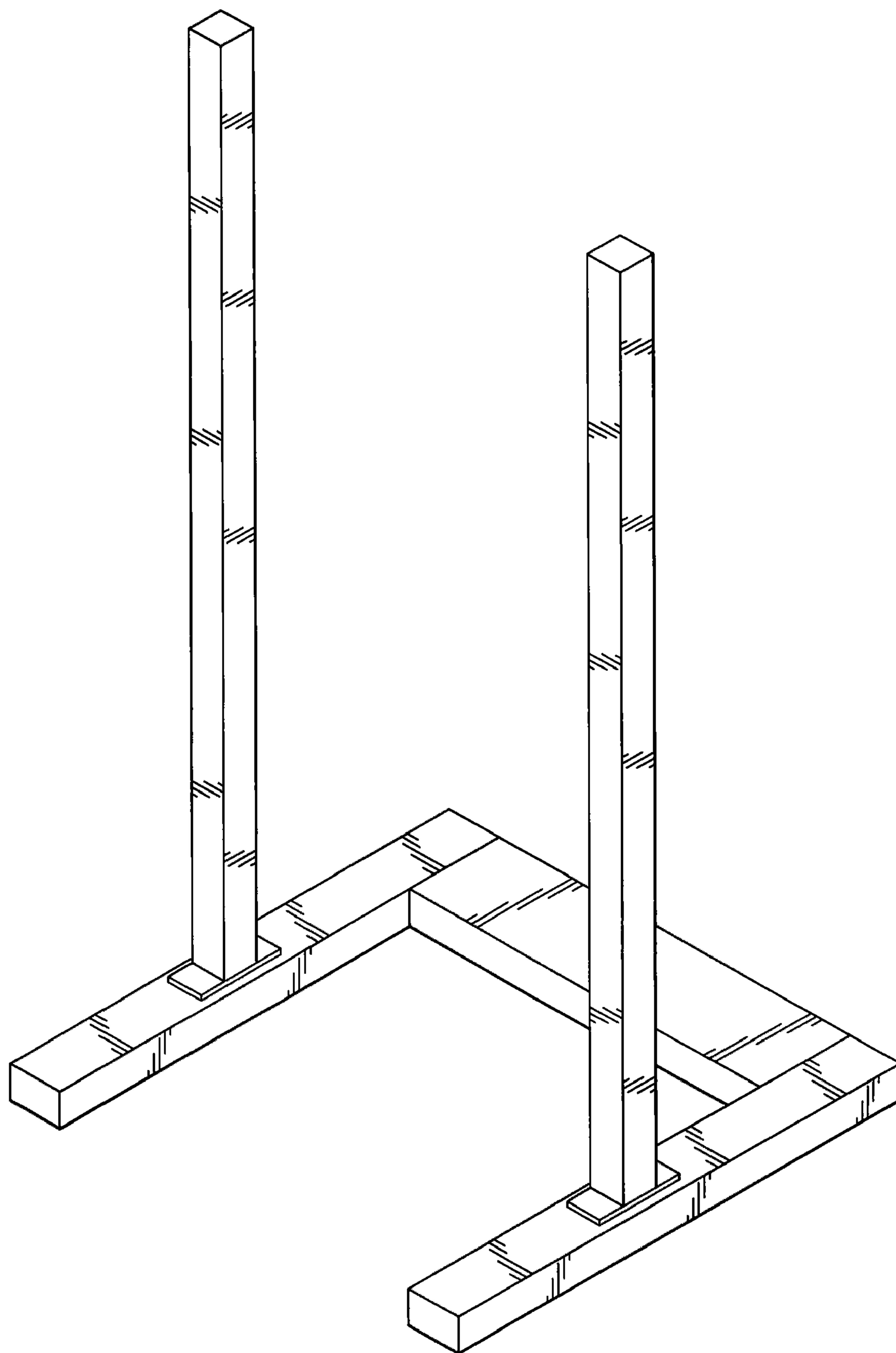


FIG. 1

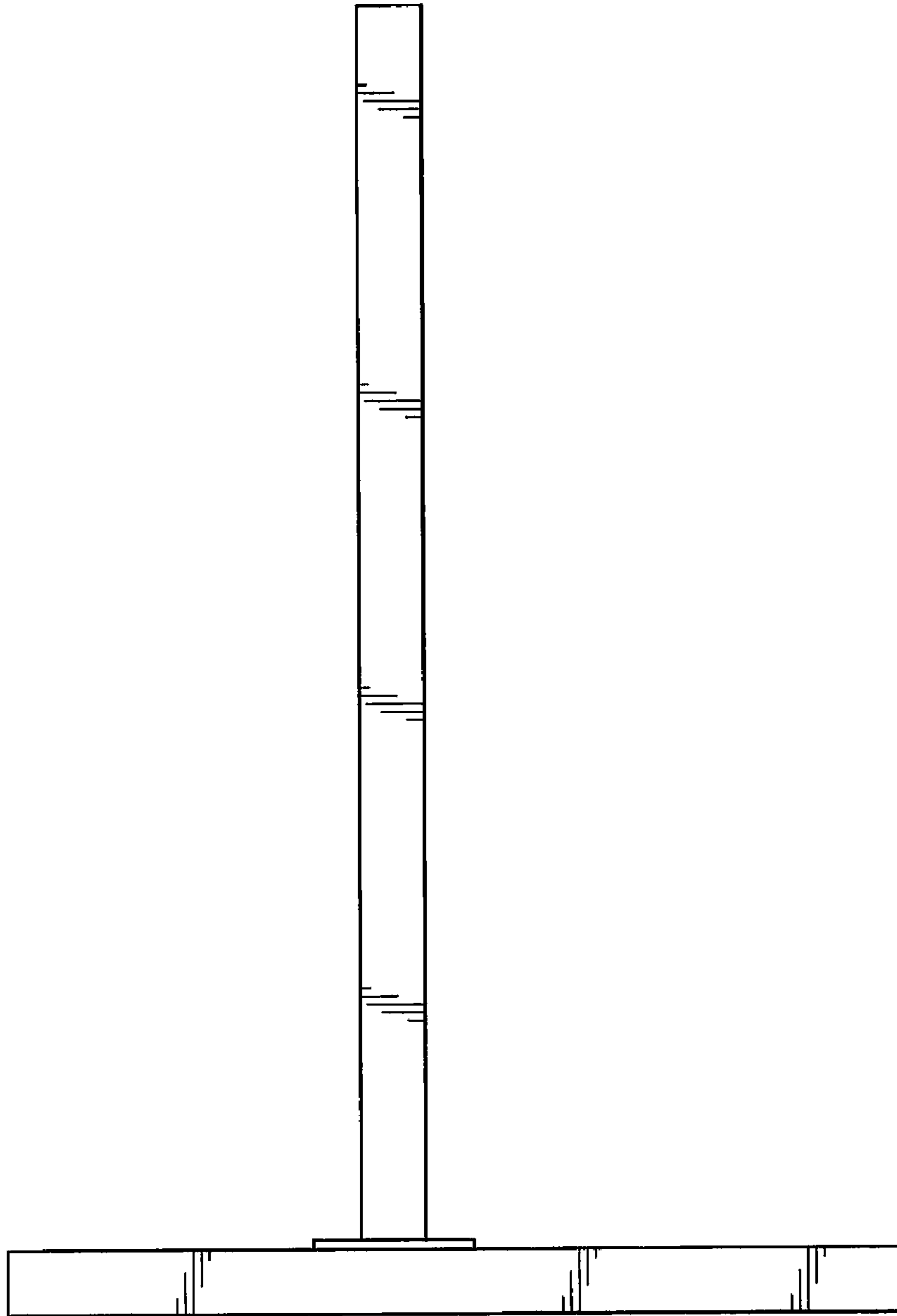


FIG. 2

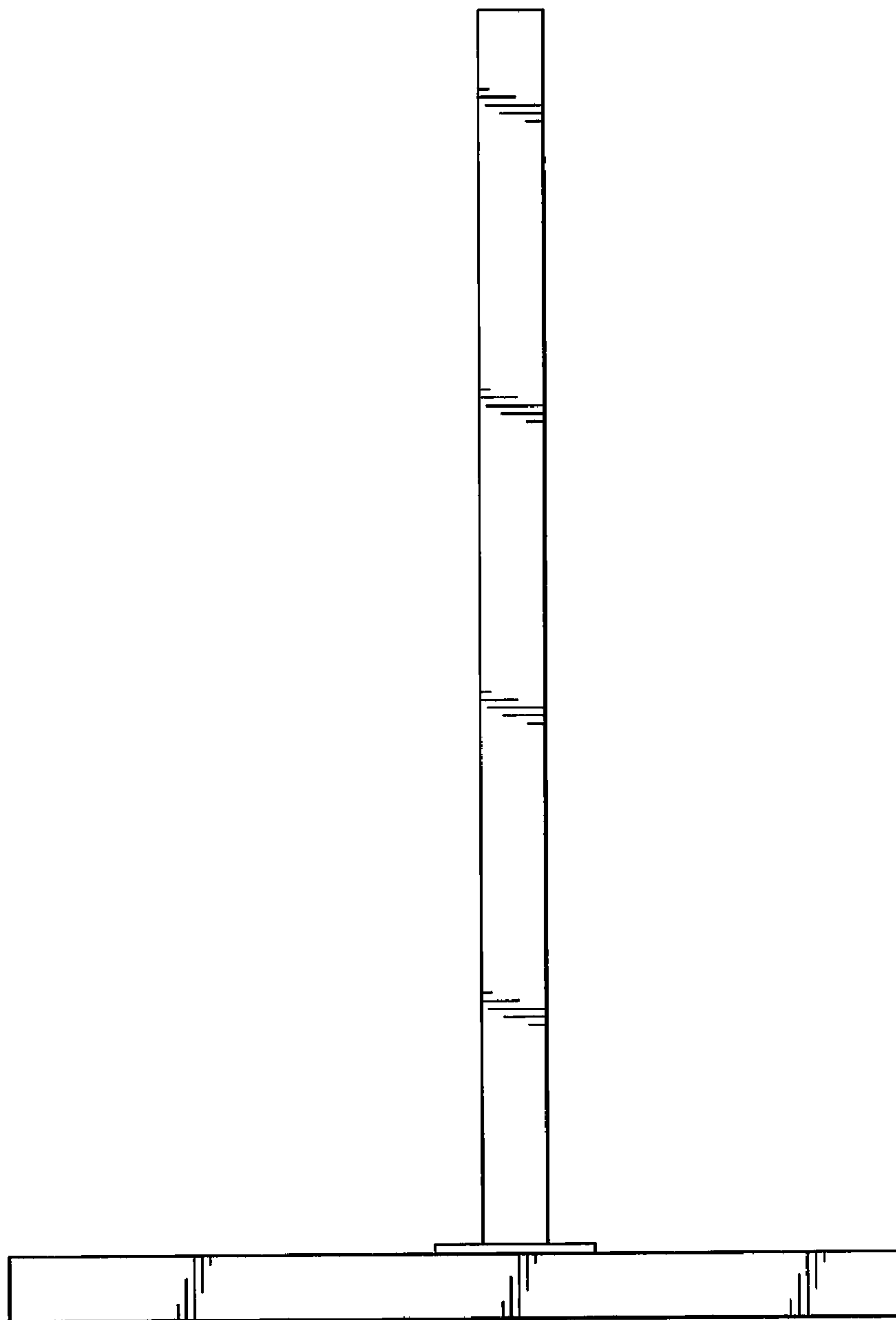


FIG. 3

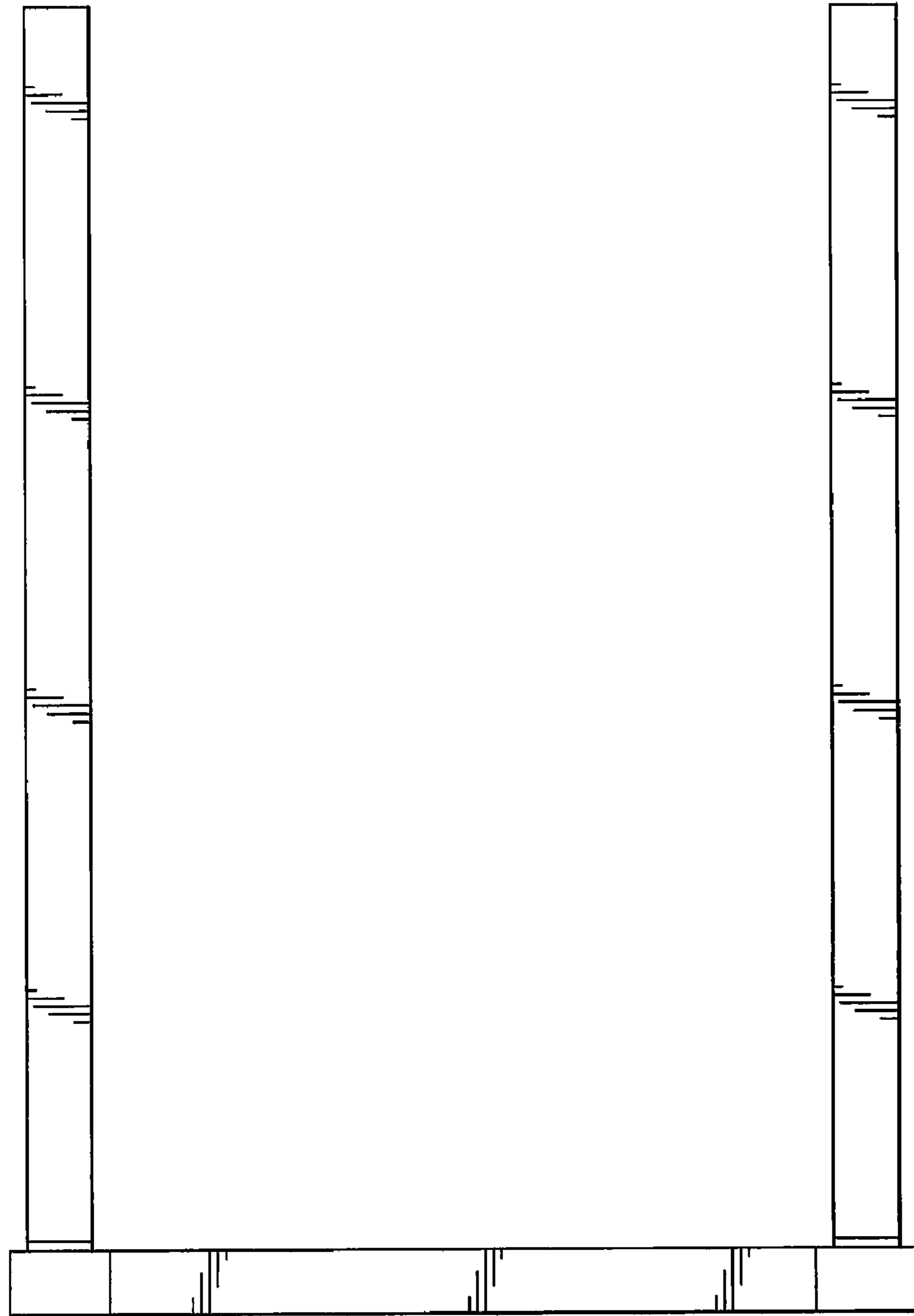


FIG. 4

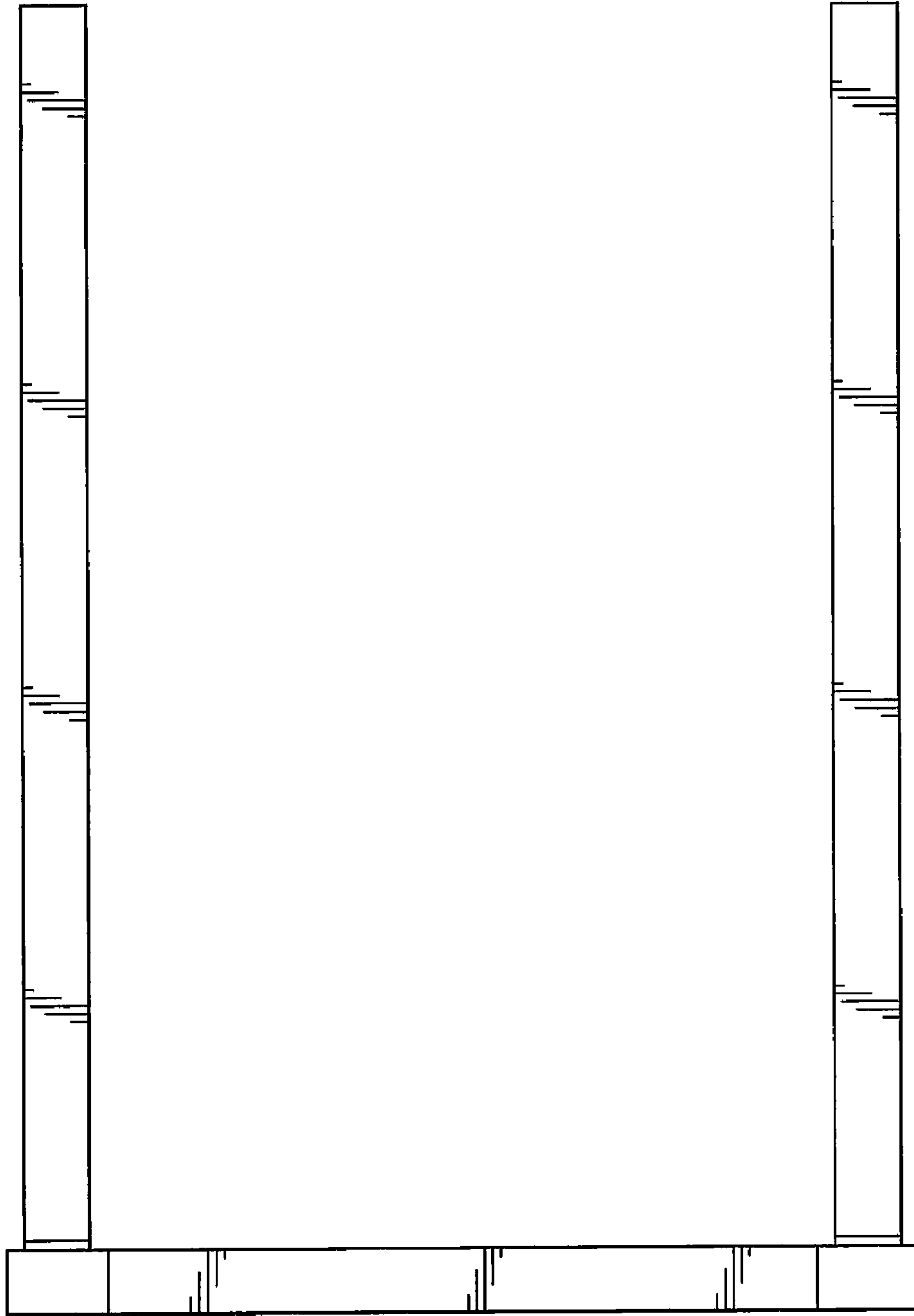


FIG. 5

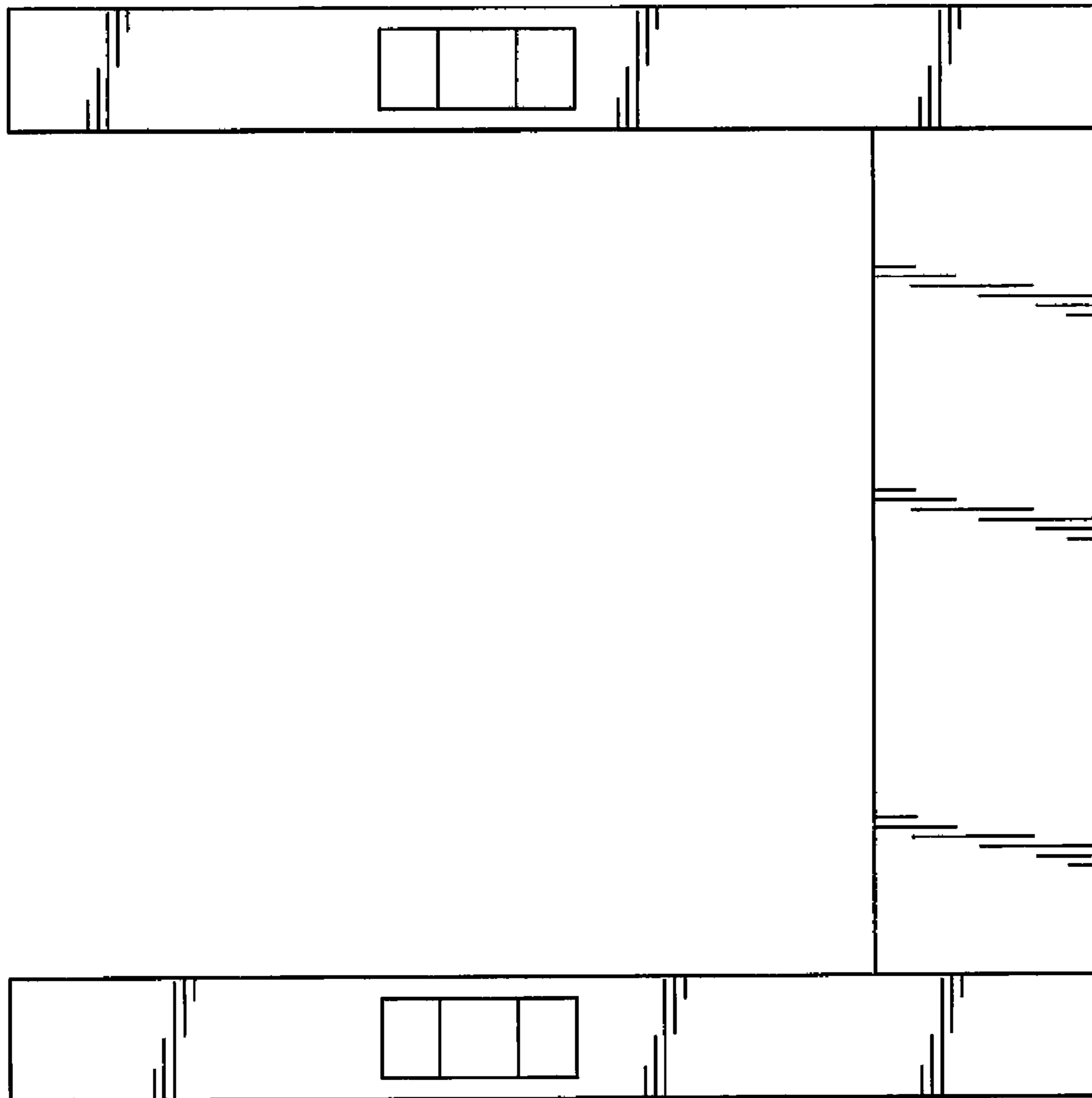


FIG. 6

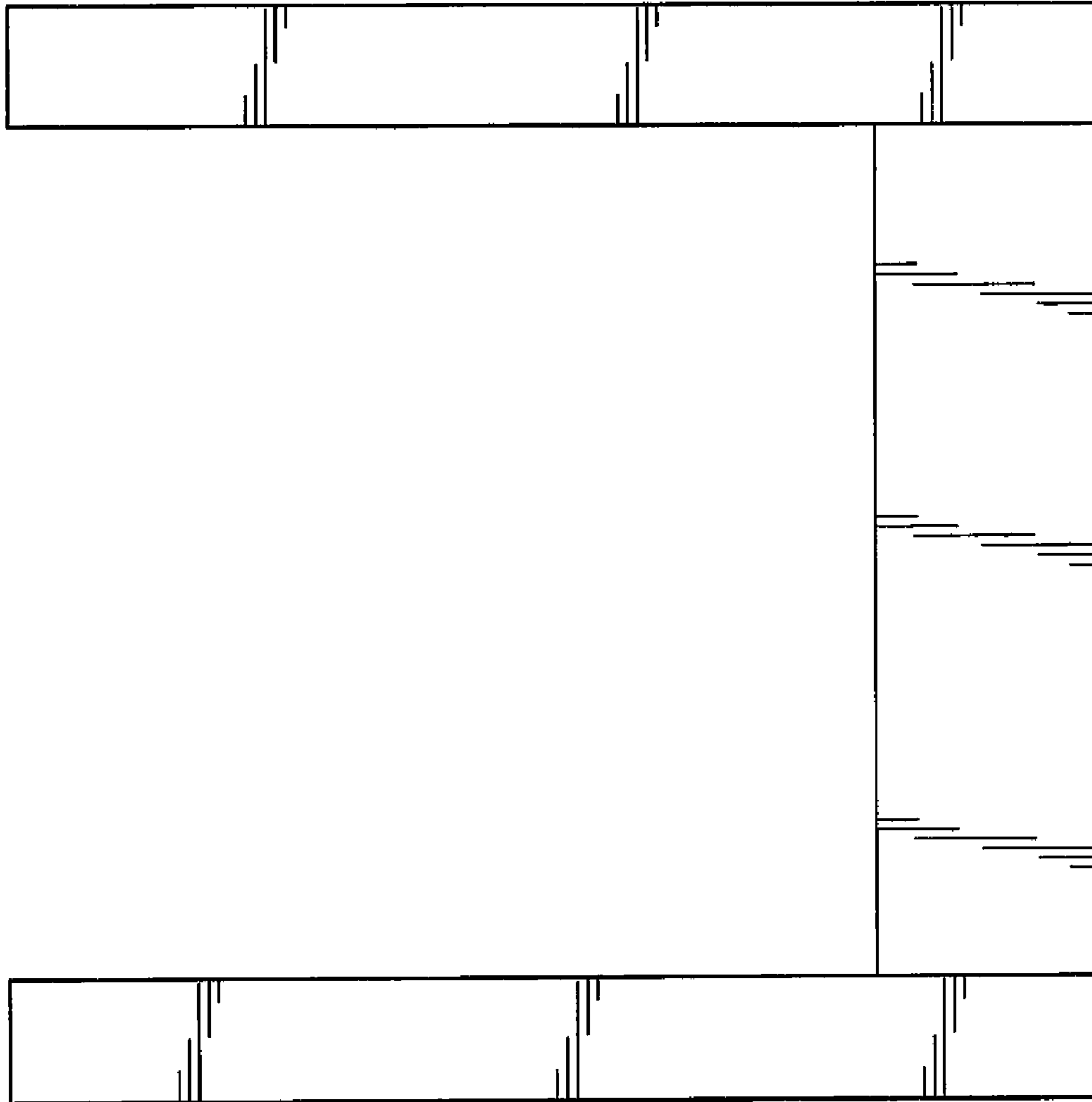


FIG. 7

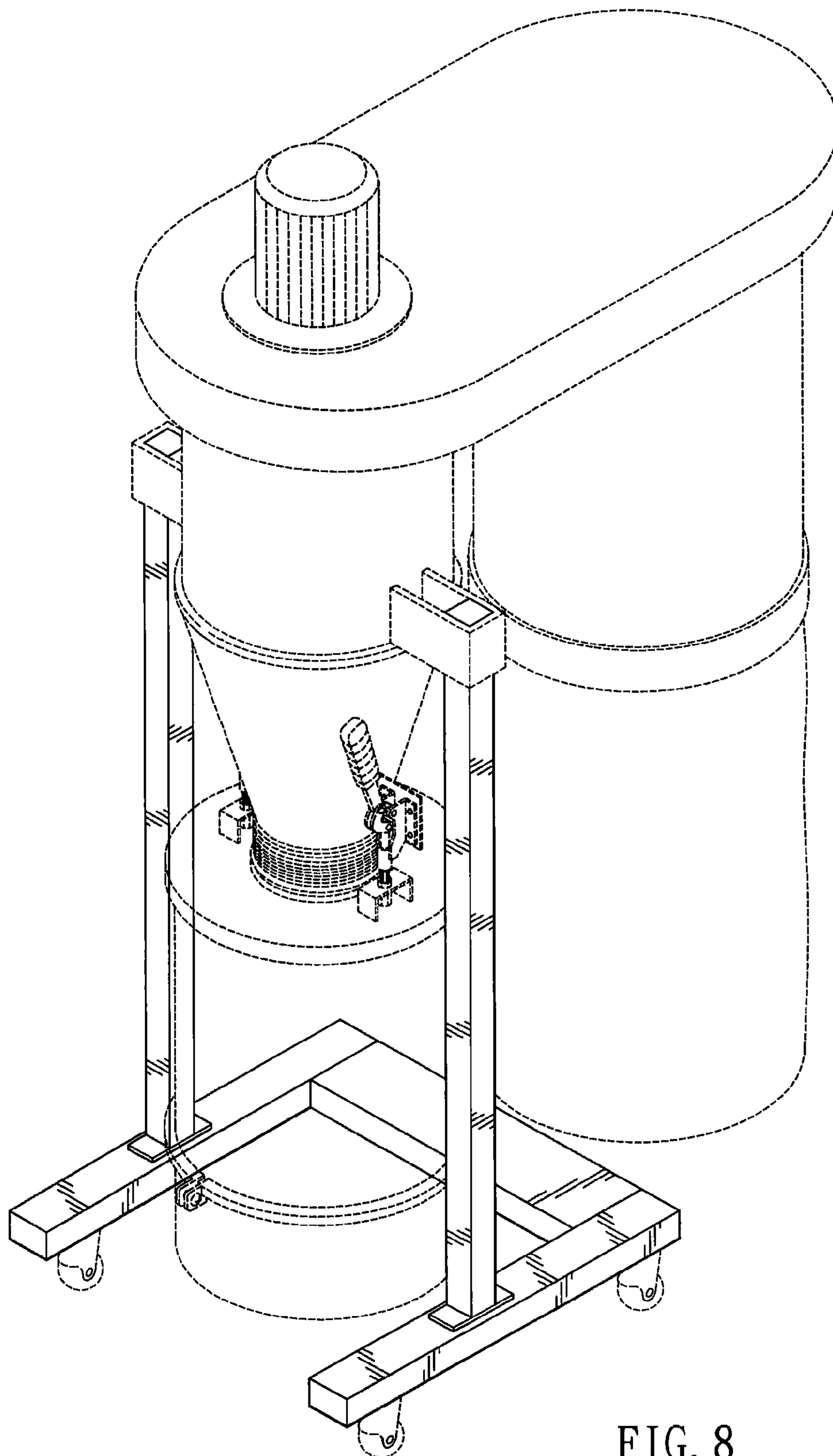


FIG. 8