



US00D660050S

(12) **United States Design Patent**  
**Desilet**

(10) **Patent No.:** **US D660,050 S**

(45) **Date of Patent:** **\*\* May 22, 2012**

(54) **CYLINDRICAL GOLF BALL DISPLAY**

*Primary Examiner* — Mary Ann Calabrese

(76) Inventor: **Gregory E. Desilet**, Longmont, CO (US)

(74) *Attorney, Agent, or Firm* — Patent Law Offices of Rick Martin, P.C.

(\*\*) Term: **14 Years**

(21) Appl. No.: **29/383,841**

(22) Filed: **Jan. 23, 2011**

(57) **CLAIM**

The ornamental design for a cylindrical golf ball display, as shown and described.

(51) **LOC (9) Cl.** ..... **06-04**

(52) **U.S. Cl.** ..... **D6/457**

(58) **Field of Classification Search** ..... D6/396,  
D6/397, 409, 410, 471, 473, 478, 449, 450,  
D6/453–470, 552, 553, 561, 566, 570, 571;  
211/1, 13.1, 14, 69.1, 69.5, 70, 70.1, 70.6,  
211/74, 77, 78, 85.1, 85.2, 85.4, 85.5, 134,  
211/144, 153; 312/114, 117, 128, 135, 138.1  
See application file for complete search history.

**DESCRIPTION**

FIG. 1 is a front elevation view of my new design for a cylindrical golf ball display;  
FIG. 2 is a right side elevation view of my new design for a cylindrical golf ball display;  
FIG. 3 is a left side elevation view of my new design for a cylindrical golf ball display;  
FIG. 4 is a rear elevation view of new design for a cylindrical golf ball display;  
FIG. 5 is a top plan view of my new design for a cylindrical golf ball display;  
FIG. 6 is a bottom plan view of my new design for a cylindrical golf ball display; and,  
FIG. 7 is a top perspective view of my new design for a cylindrical golf ball display.  
The broken lines indicating golf balls in FIGS. 1, 2, 3, 4 and indicating bottom features in FIG. 6 are for the purposes of illustration only and form no part of the claimed design.

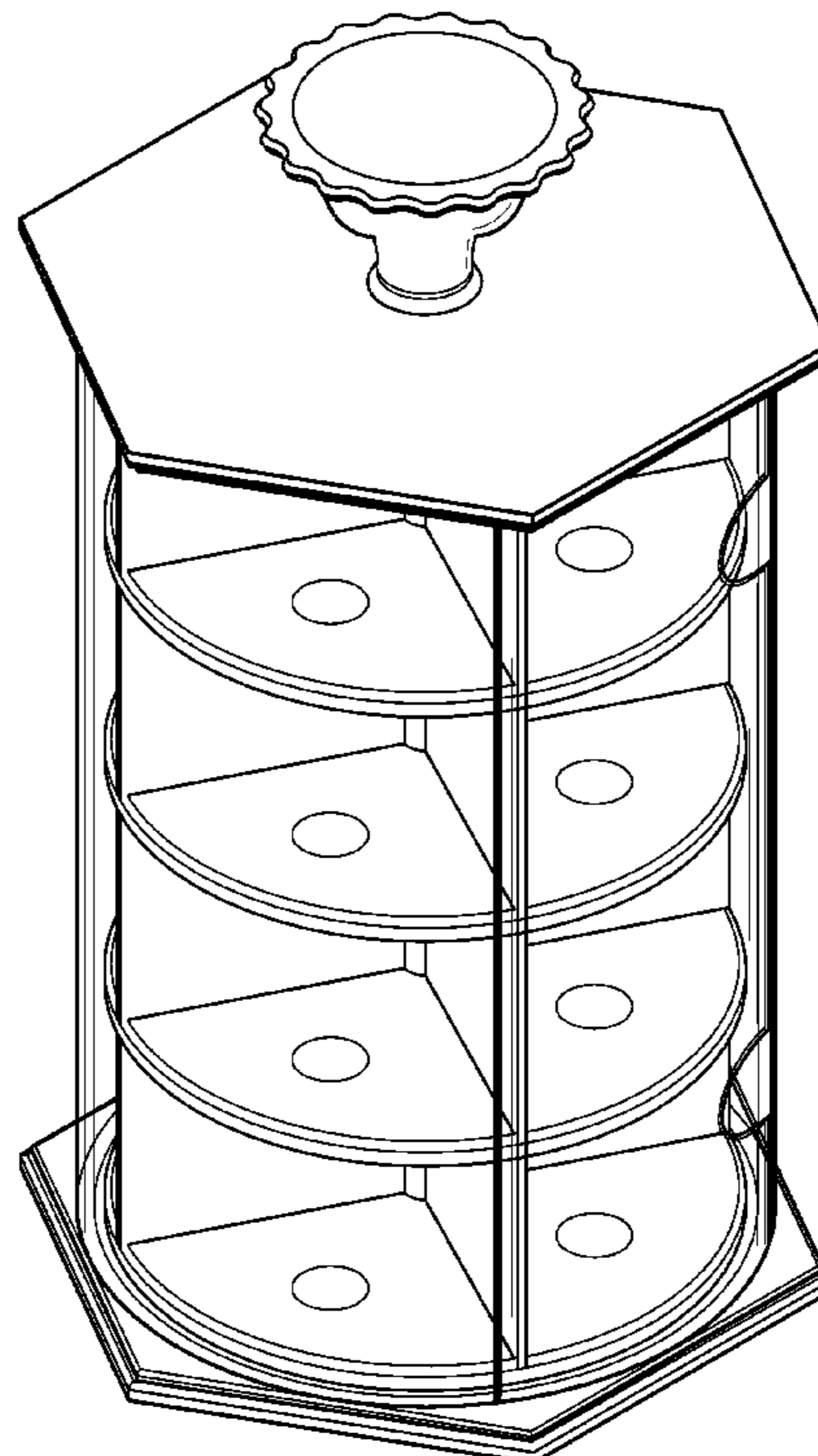
(56) **References Cited**

U.S. PATENT DOCUMENTS

622,624	A *	4/1899	Hewit	141/112
1,393,050	A *	10/1921	Talley et al.	312/135
1,645,399	A *	10/1927	Pontikis	211/128.1
D119,408	S *	3/1940	Teach	D6/431
D175,470	S *	8/1955	Kahn	D6/457
3,198,338	A *	8/1965	McCormick	211/14
D240,870	S *	8/1976	Howard	D6/459
D256,811	S *	9/1980	Crawford	D21/564
4,955,485	A *	9/1990	Alton	211/14
5,184,735	A	2/1993	Black	
D405,293	S *	2/1999	Tate	D6/457
D462,853	S *	9/2002	Berg	D6/470
2003/0000903	A1 *	1/2003	Mondragon et al.	211/144

\* cited by examiner

**1 Claim, 4 Drawing Sheets**



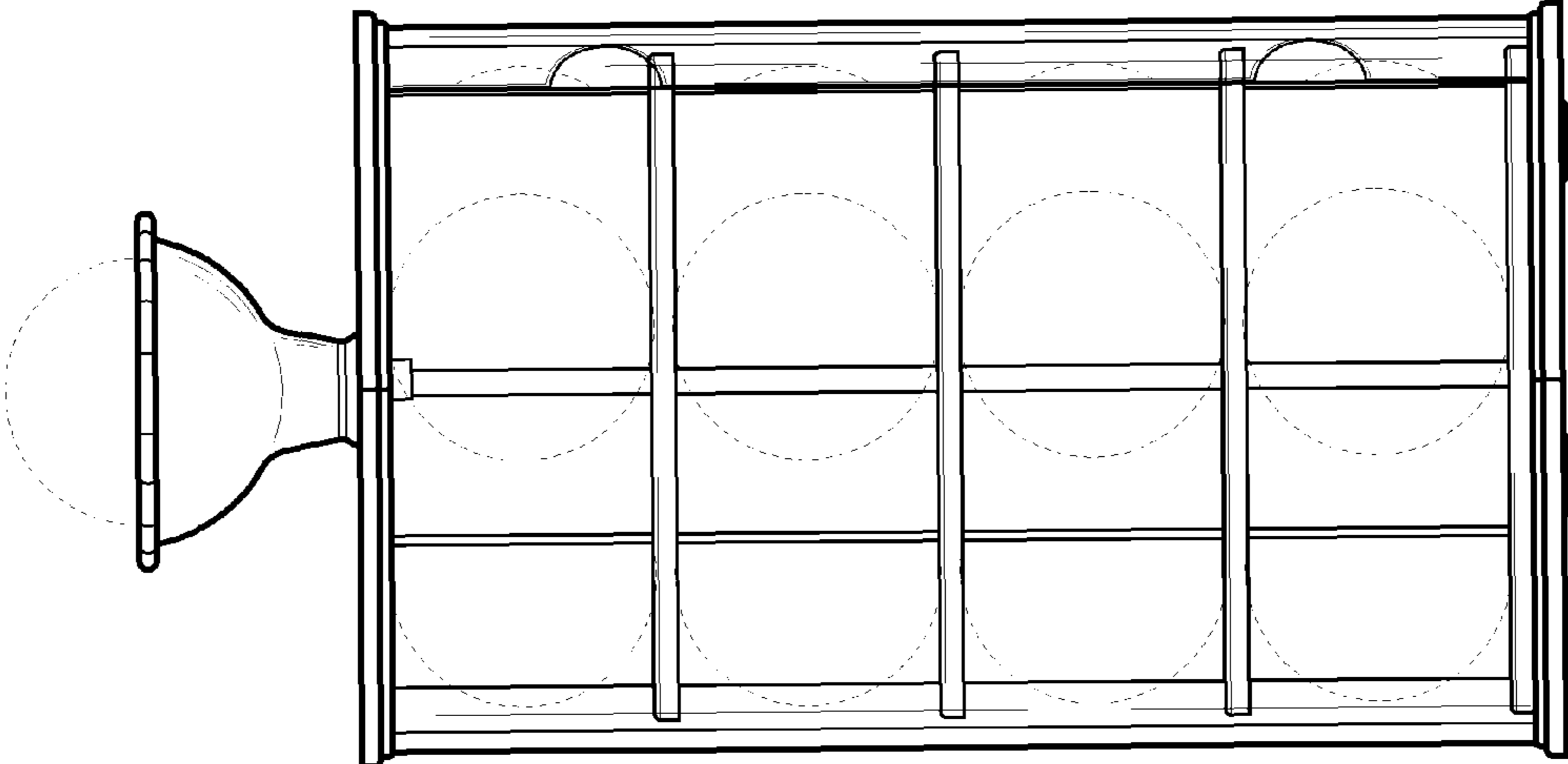


Fig 2

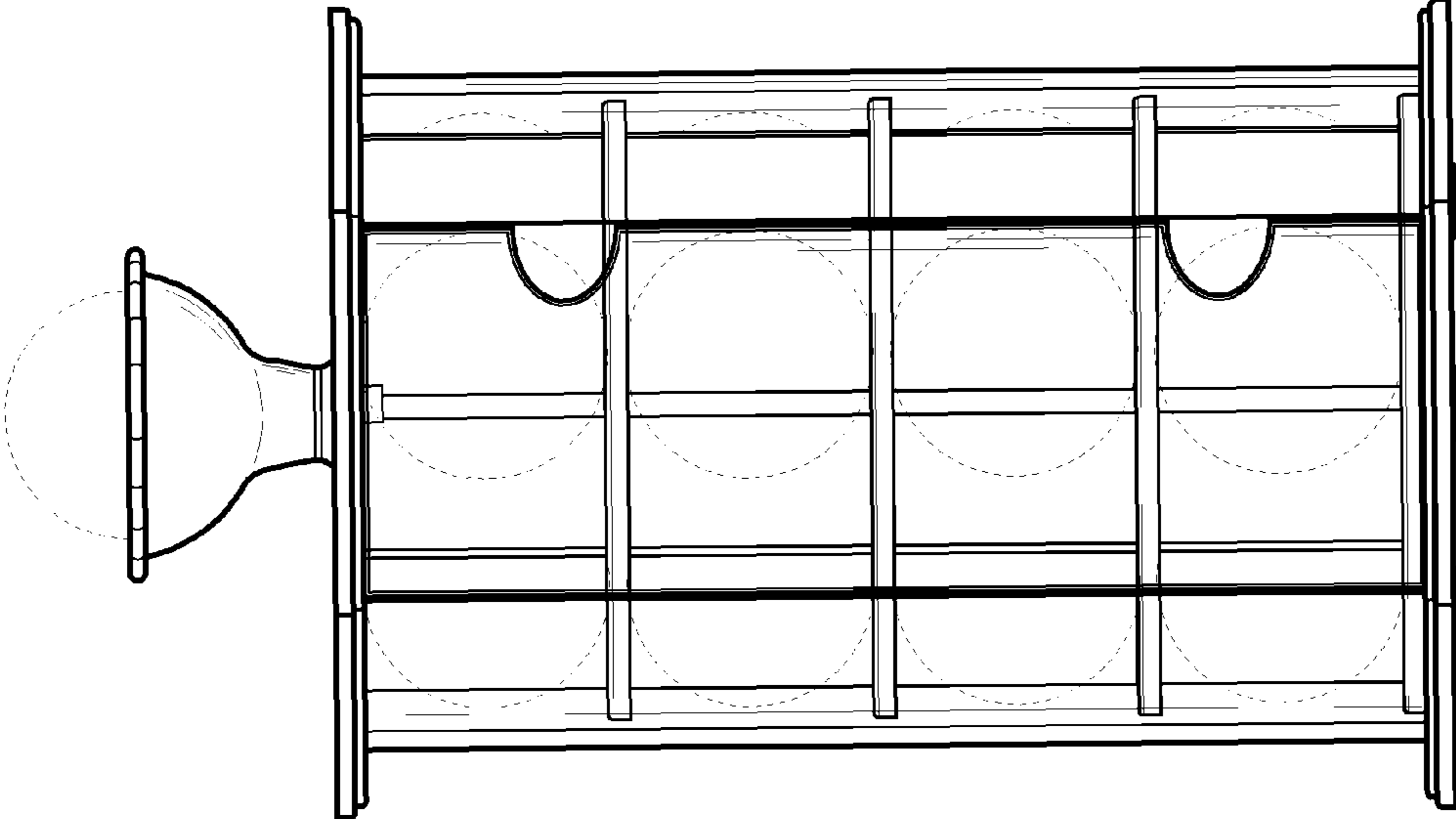


Fig 1

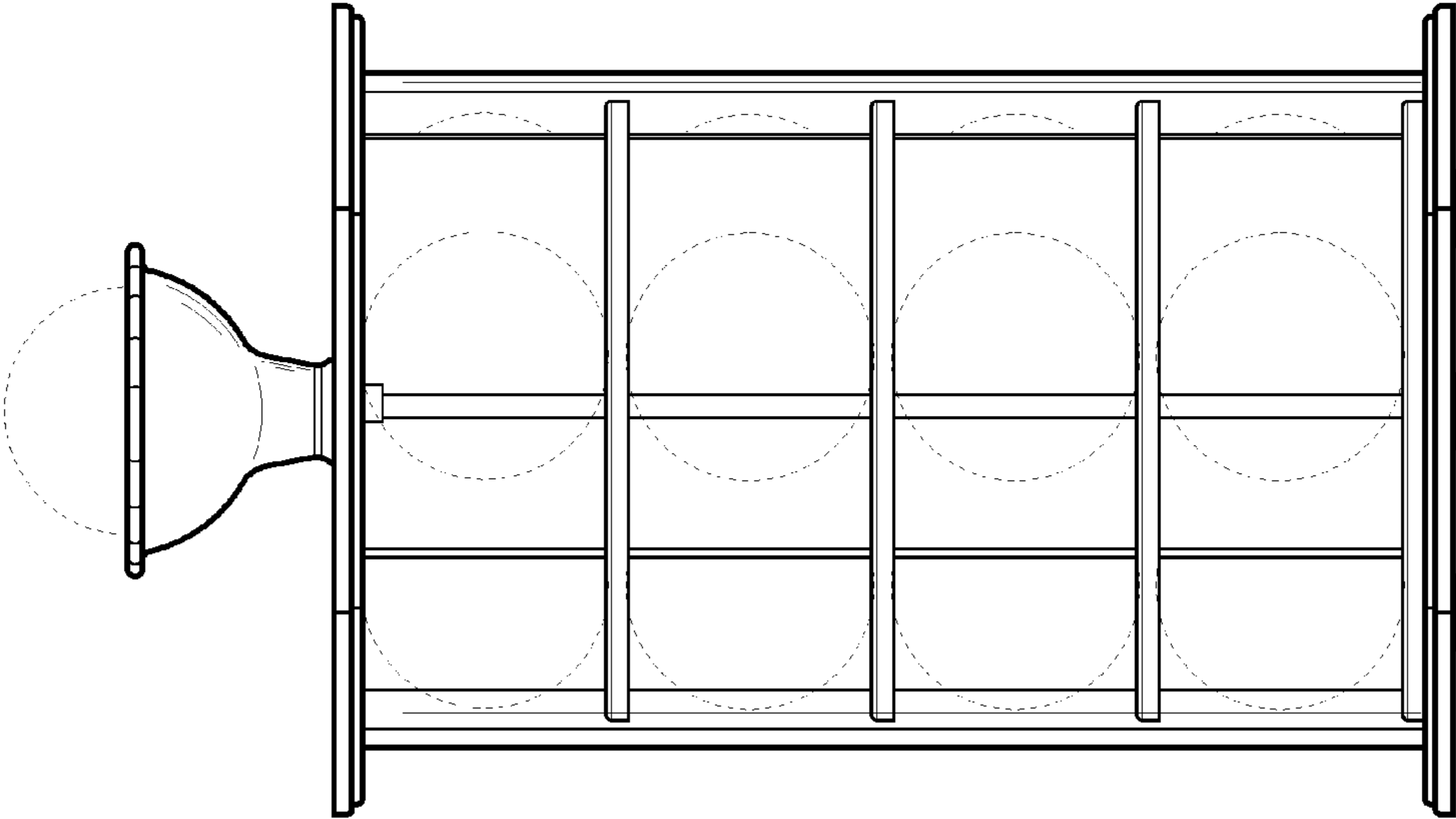


Fig 4

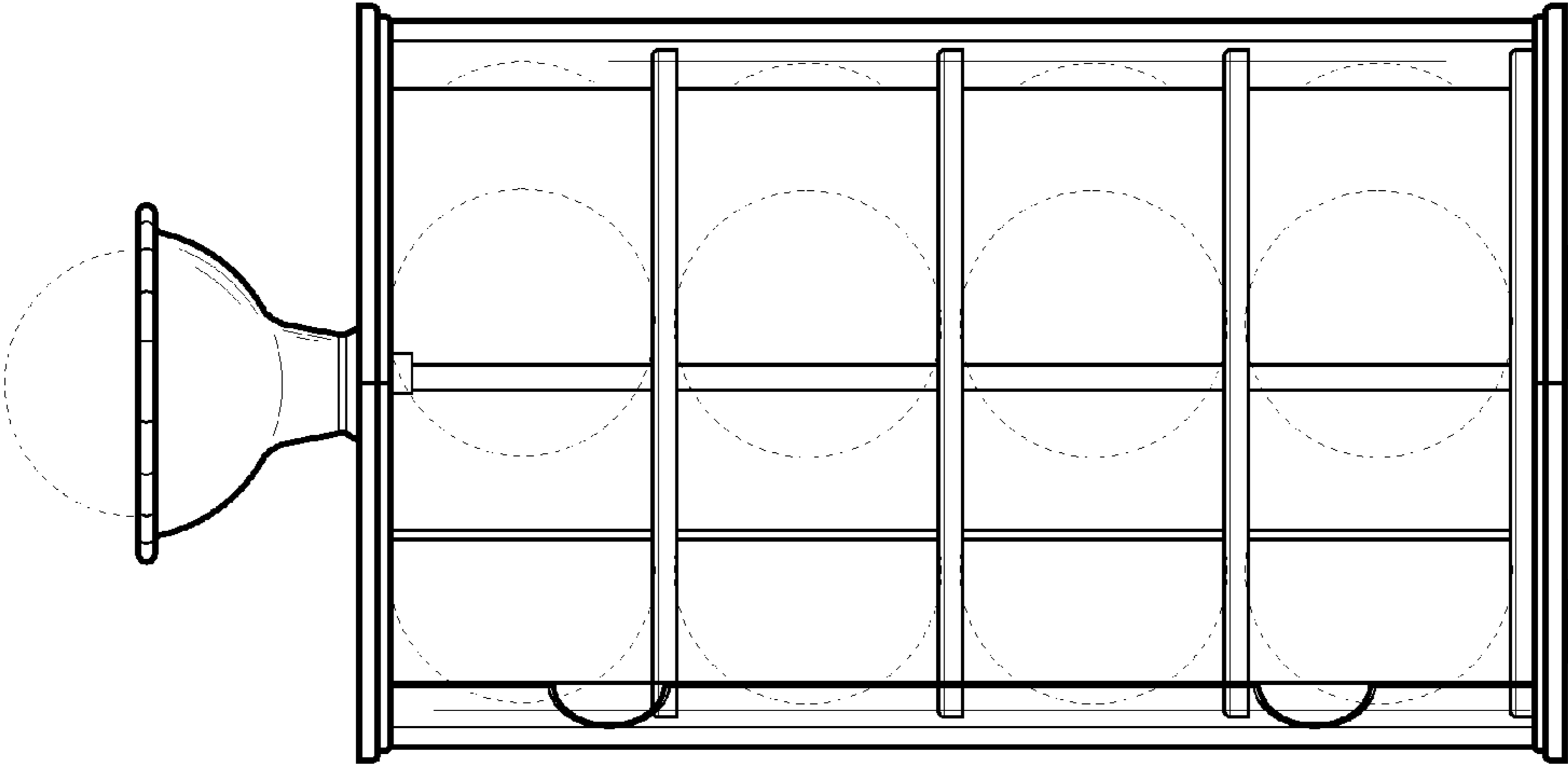


Fig 3

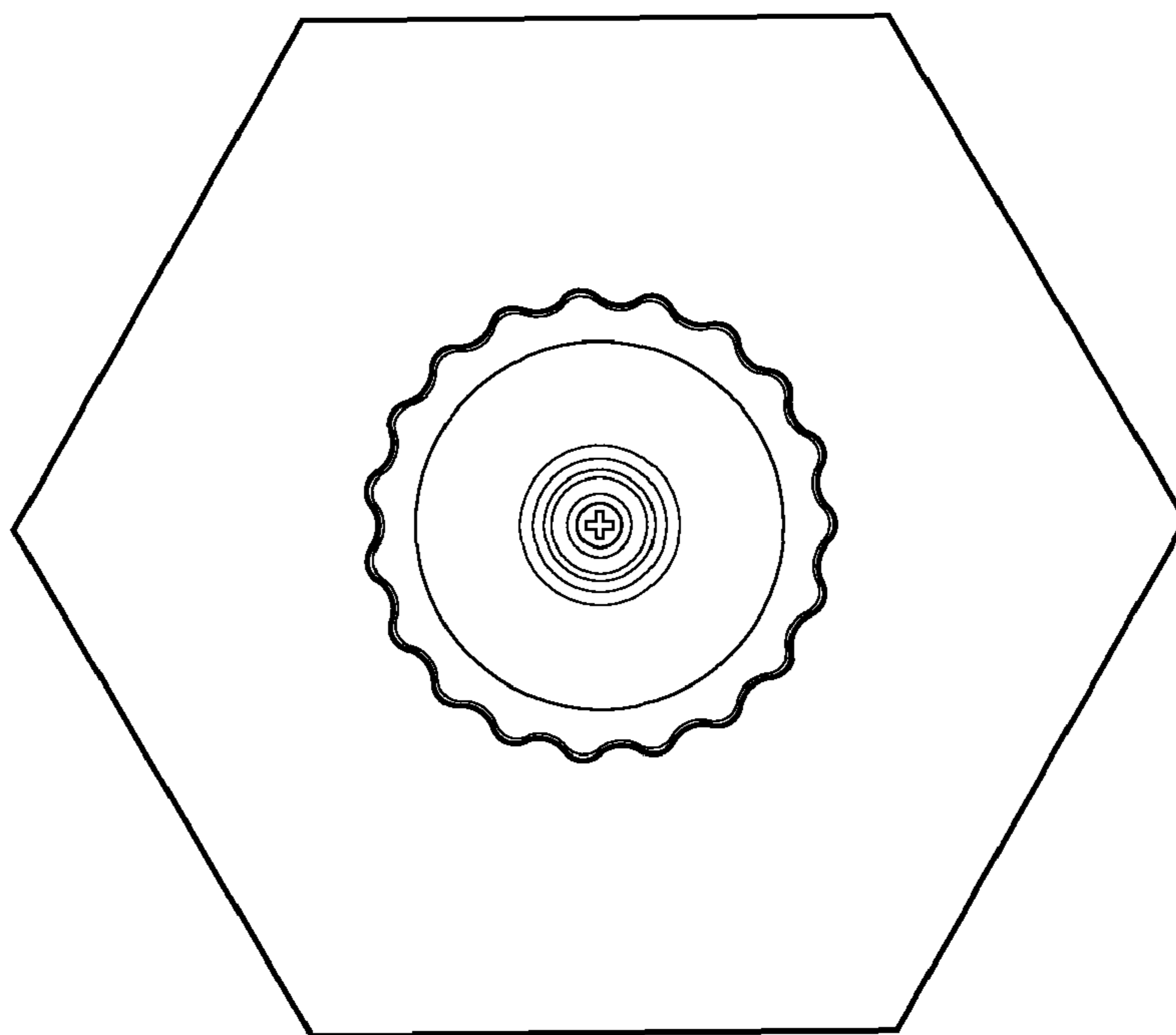


Fig 5

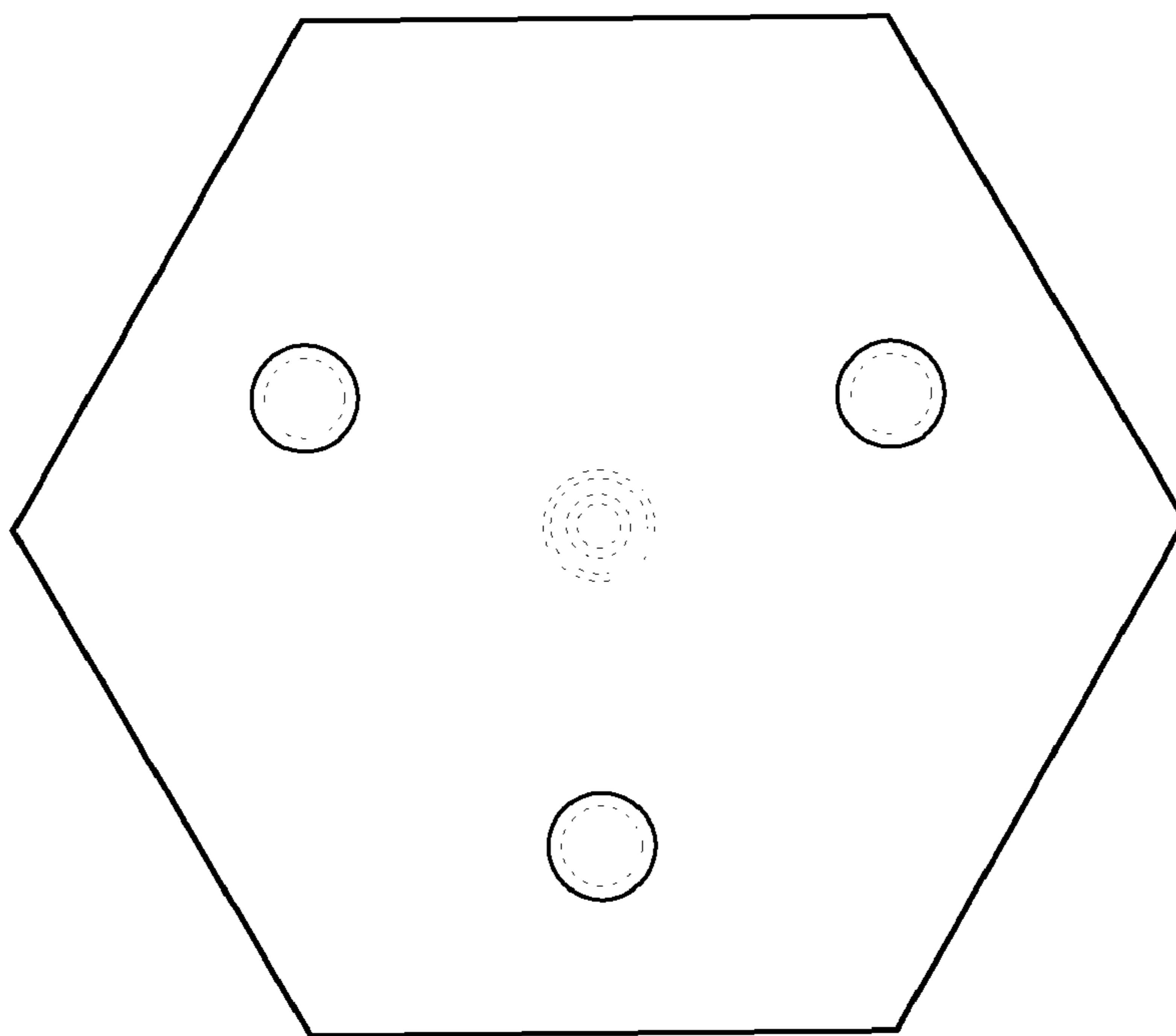


Fig 6

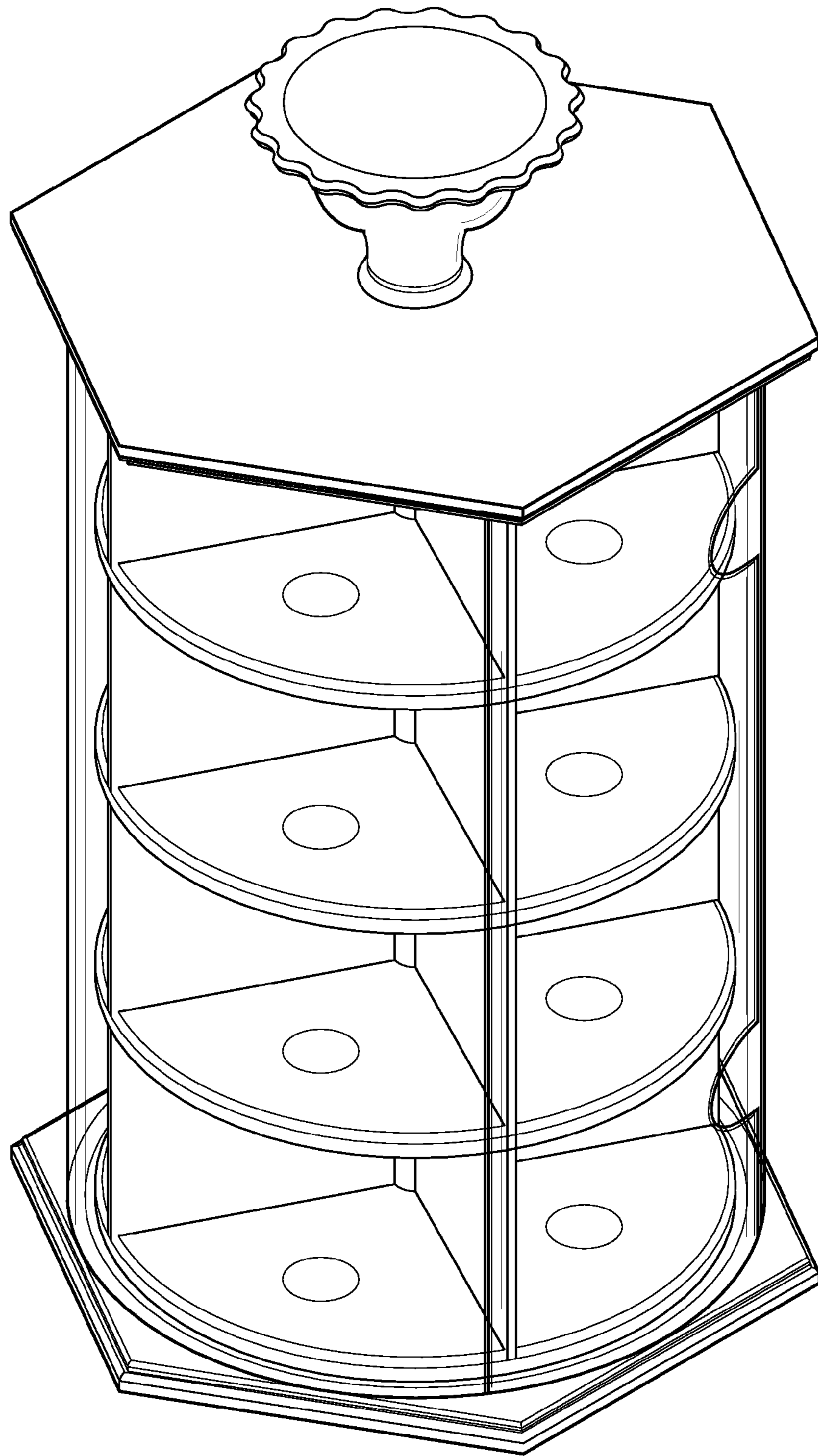


Fig 7