



US00D660046S

(12) **United States Design Patent**
al-Rawi

(10) **Patent No.:** **US D660,046 S**

(45) **Date of Patent:** **** May 22, 2012**

(54) **BED**

(75) **Inventor:** **Luay al-Rawi**, Bentveld (NL)

(73) **Assignee:** **Restoration Hardware, Inc.**, Corte Madera, CA (US)

(**) **Term:** **14 Years**

(21) **Appl. No.:** **29/399,713**

(22) **Filed:** **Aug. 17, 2011**

(51) **LOC (9) Cl.** **06-02**

(52) **U.S. Cl.** **D6/393**

(58) **Field of Classification Search** D6/382,
D6/383, 389, 393-395, 505-508, 503; 5/53.1,
5/279.1, 280, 281, 907; D21/520

See application file for complete search history.

(56) **References Cited**

U.S. PATENT DOCUMENTS

D20,458 S * 1/1891 Zimskind D6/394
D72,734 S * 5/1927 Stuart D6/507

D72,735 S * 5/1927 Stuart D6/507
D362,984 S * 10/1995 Brunner et al. D6/508
2007/0056097 A1 * 3/2007 Martin et al. 5/93.1

* cited by examiner

Primary Examiner — Janice Seeger

(74) *Attorney, Agent, or Firm* — Duane Morris, LLP; Guy W. Chambers

(57) **CLAIM**

The ornamental design for a bed, as shown and described.

DESCRIPTION

FIG. 1 is a perspective view of an embodiment of a bed showing my new design;

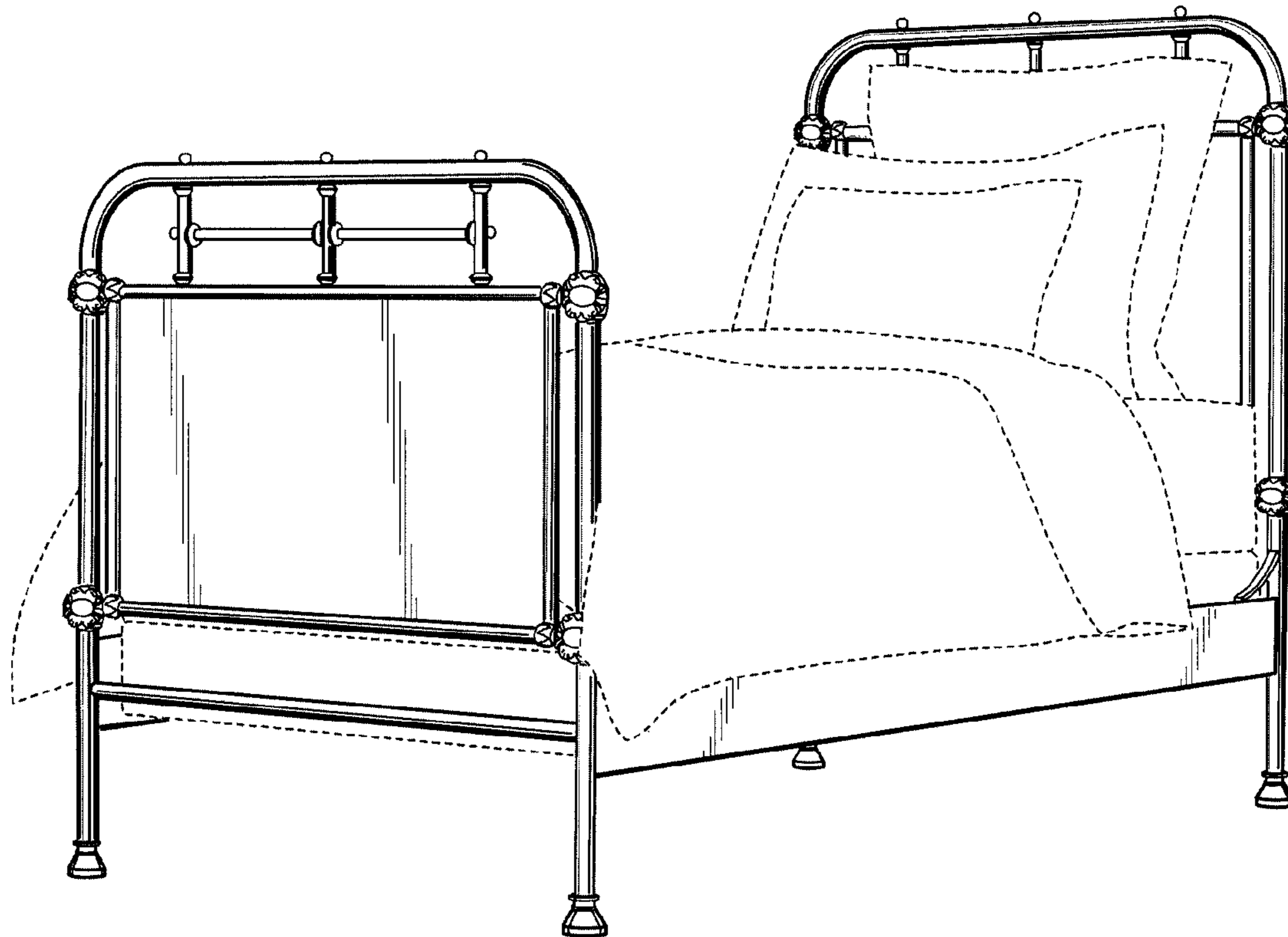
FIG. 2 is a top view thereof;

FIG. 3 is a front elevational view thereof; and,

FIG. 4 is a left side elevational view (right side elevational view is a mirror image thereof).

The broken lines are for environmental purposes only and form no part of the claimed design.

1 Claim, 3 Drawing Sheets



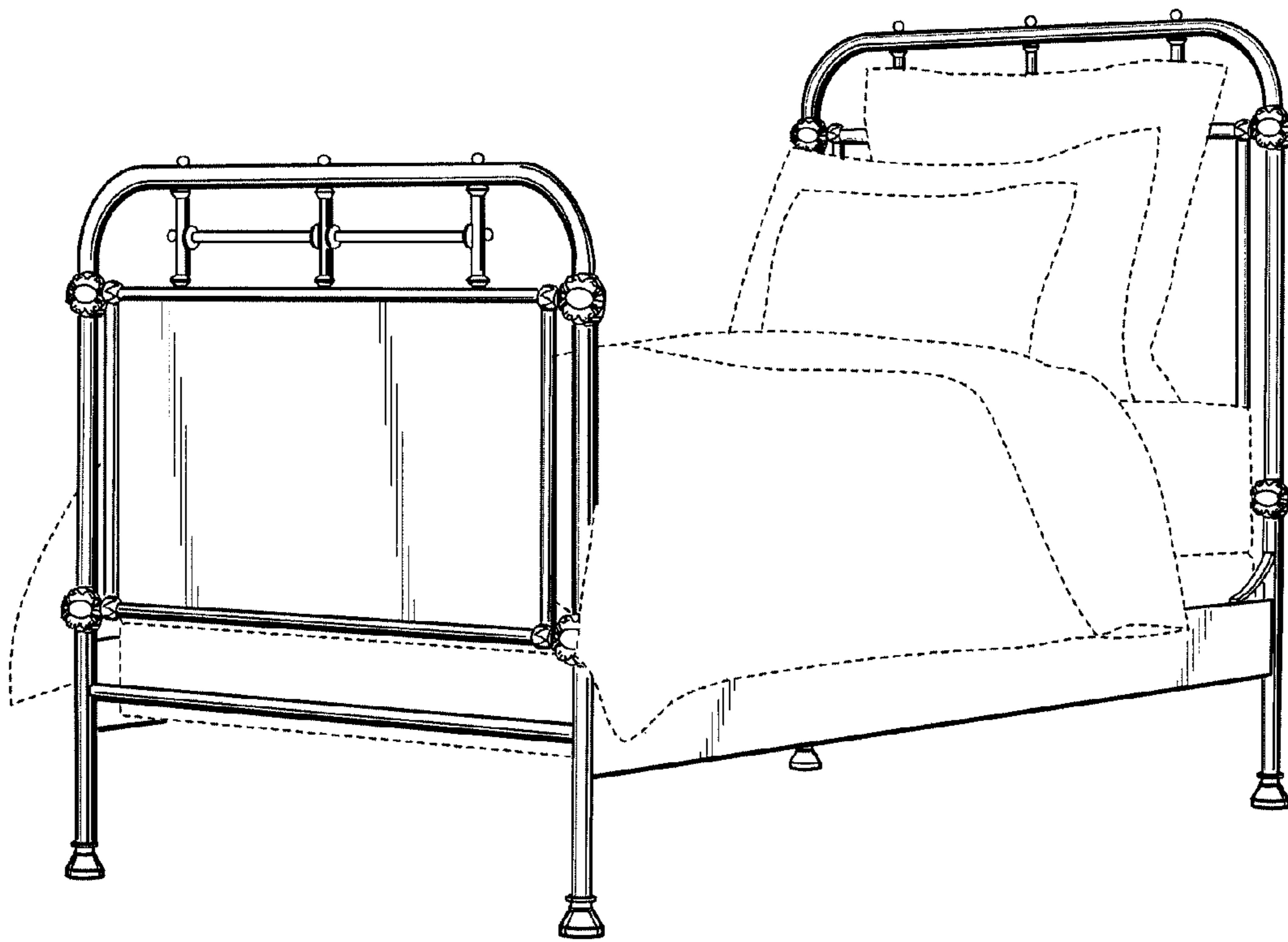


FIG. 1

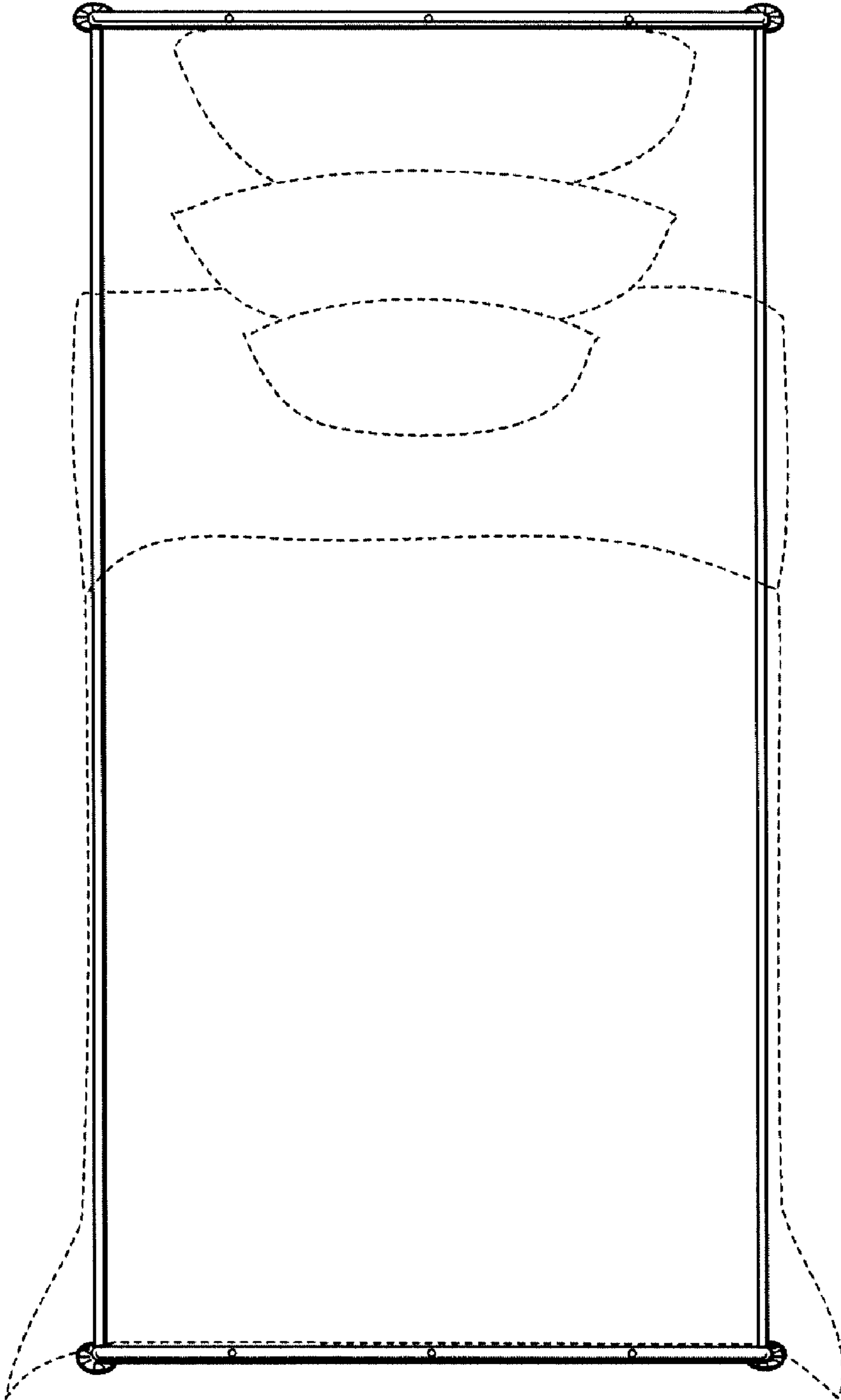


FIG. 2

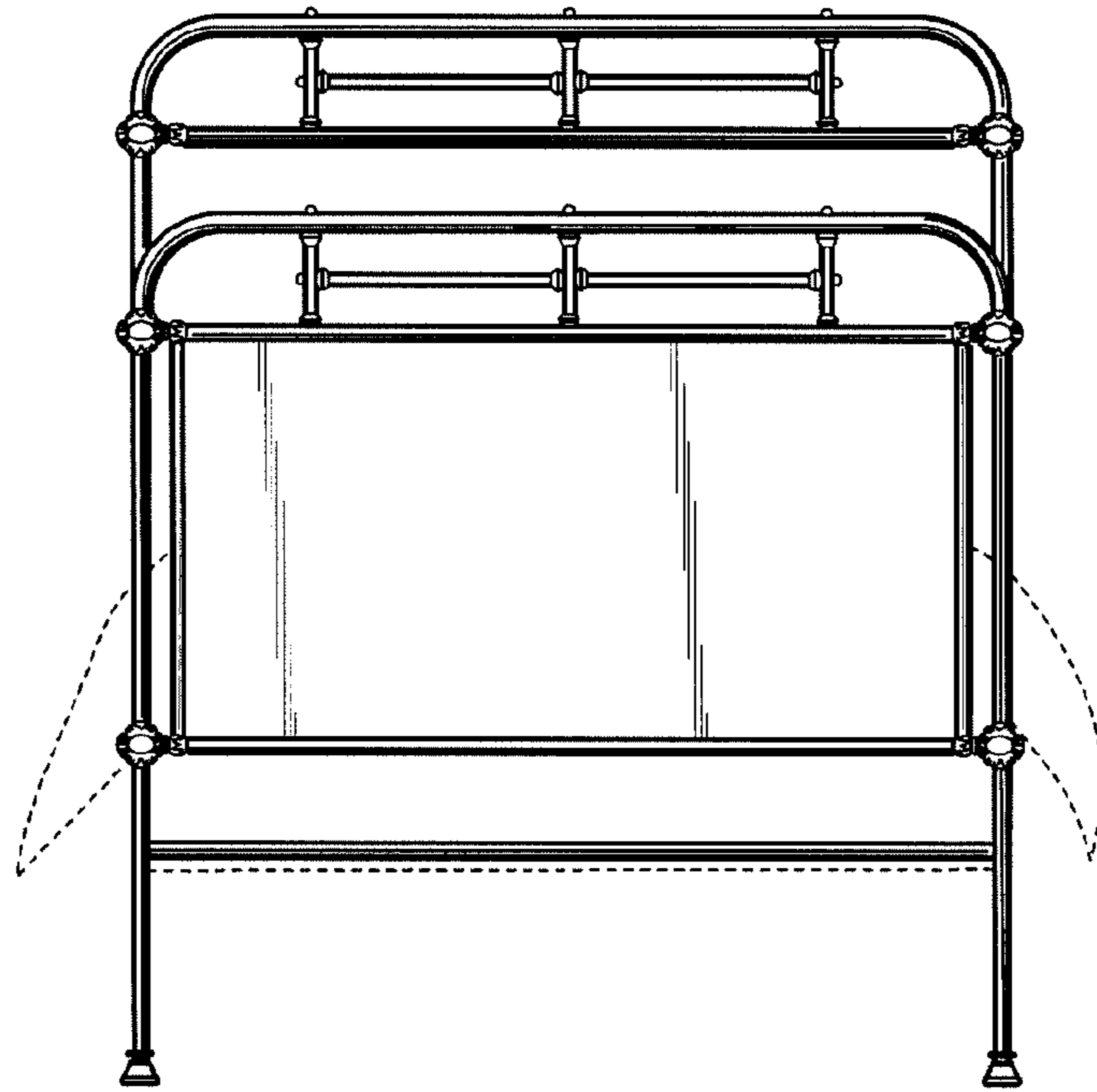


FIG. 3

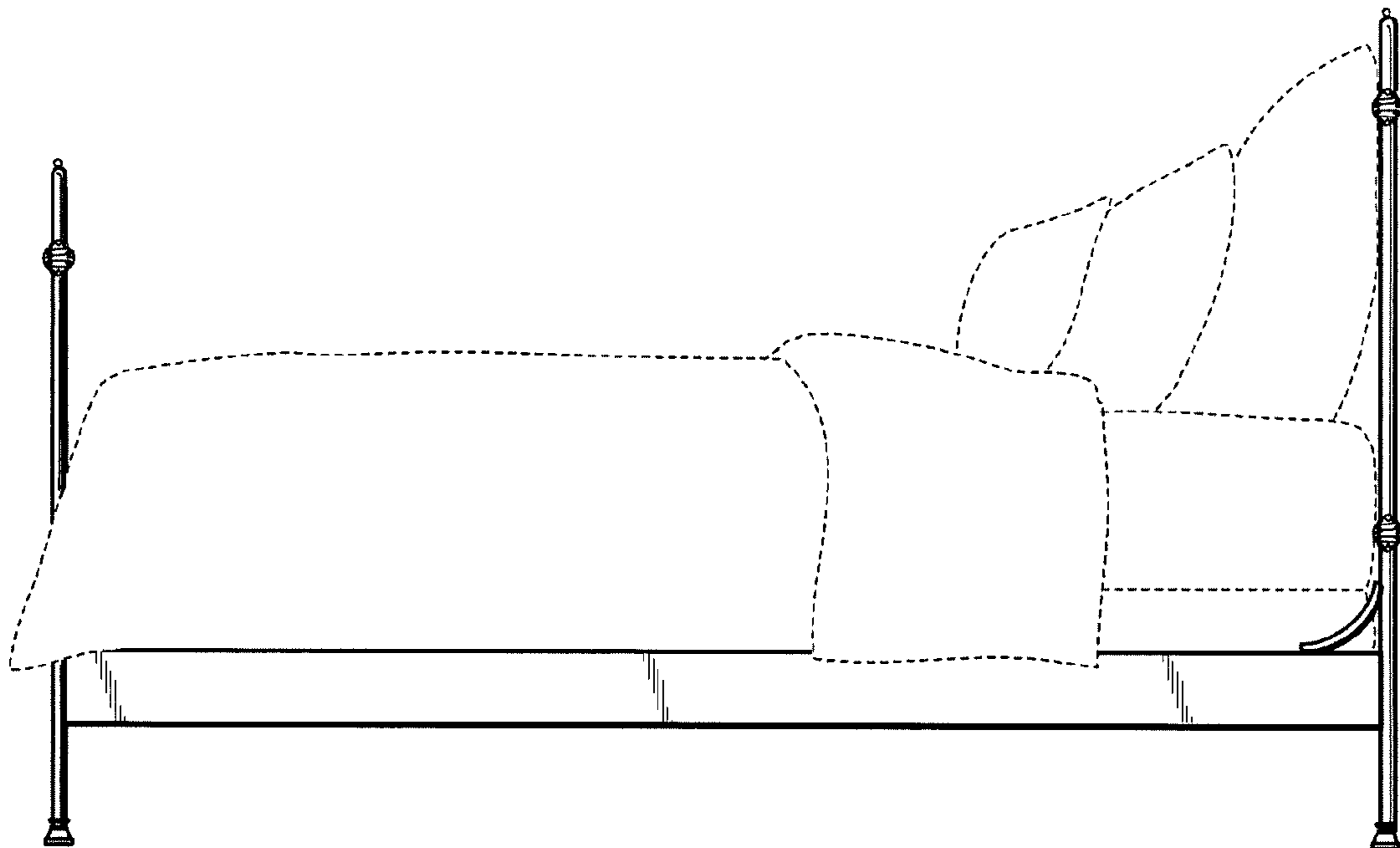


FIG. 4