

US00D660045S

(12) **United States Design Patent**  
**Lenney**

(10) **Patent No.:** **US D660,045 S**

(45) **Date of Patent:** **\*\* May 22, 2012**

- (54) **BED**
- (75) Inventor: **Joseph P. Lenney**, San Francisco, CA  
(US)
- (73) Assignee: **Restoration Hardware, Inc.**, Corte  
Madera, CA (US)
- (\*\*) Term: **14 Years**
- (21) Appl. No.: **29/399,189**
- (22) Filed: **Aug. 10, 2011**
- (51) **LOC (9) Cl.** ..... **06-02**
- (52) **U.S. Cl.** ..... **D6/393**
- (58) **Field of Classification Search** ..... D6/382,  
D6/383, 389, 393-395, 505-508, 503; 5/53.1,  
5/279.1, 280, 281, 907; D21/520  
See application file for complete search history.

- D395,965 S \* 7/1998 Hutton ..... D6/393
- D443,998 S \* 6/2001 Leon et al. .... D6/393
- D480,889 S \* 10/2003 Risdon et al. .... D6/393
- D493,975 S \* 8/2004 Juneau et al. .... D6/393
- D638,642 S \* 5/2011 Schmitt ..... D6/505

\* cited by examiner

*Primary Examiner* — Janice Seeger

(74) *Attorney, Agent, or Firm* — Duane Morris, LLP; Guy  
W. Chambers

(57) **CLAIM**

The ornamental design for a bed, as shown and described.

**DESCRIPTION**

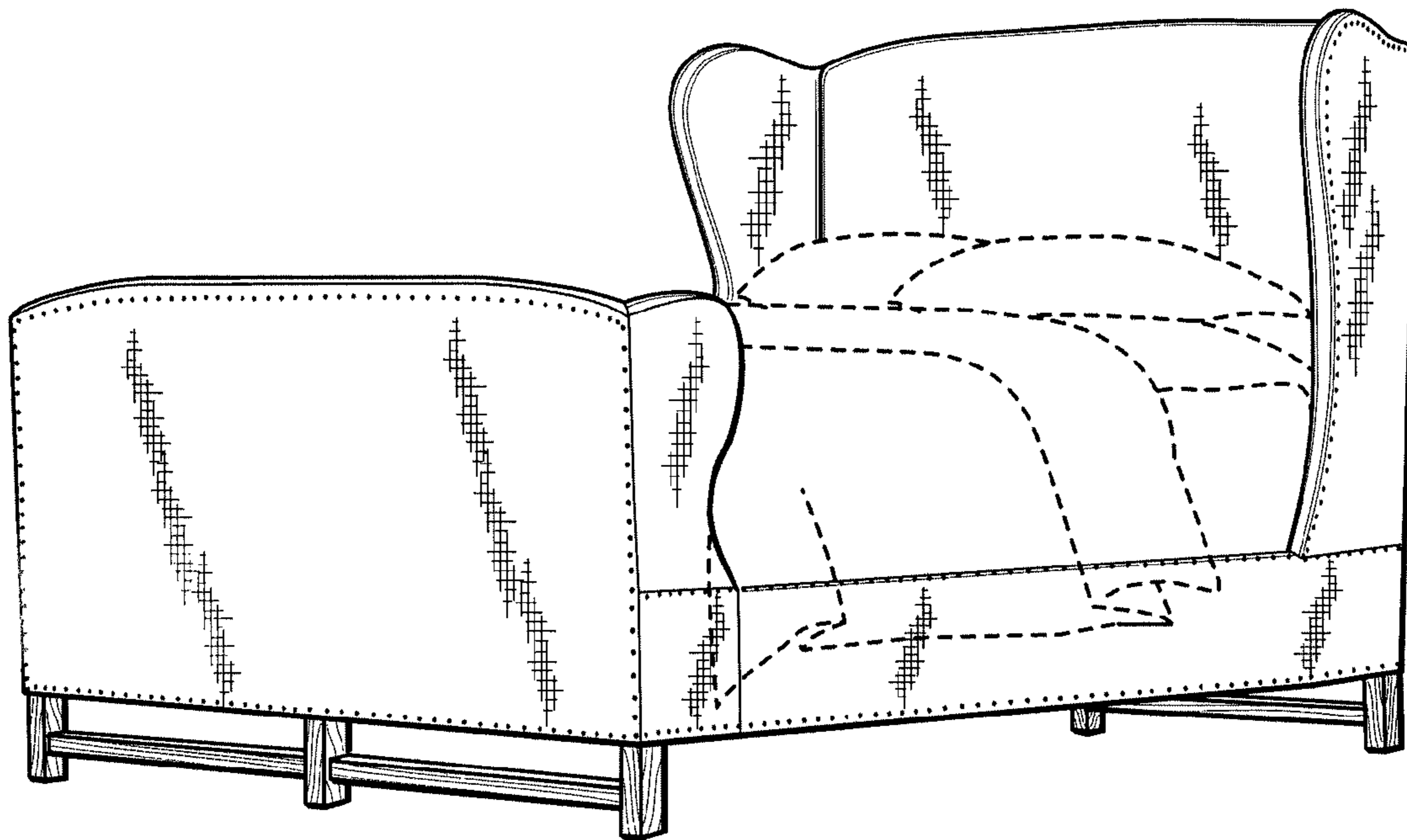
FIG. 1 is a perspective view of an embodiment of a bed showing my new design;  
 FIG. 2 is a top view thereof;  
 FIG. 3; is a left side elevational view (right side elevational view is a mirror image thereof); and,  
 FIG. 4 is a front elevational view thereof.  
 The broken lines are for environmental purposes only and form no part of the claimed design.

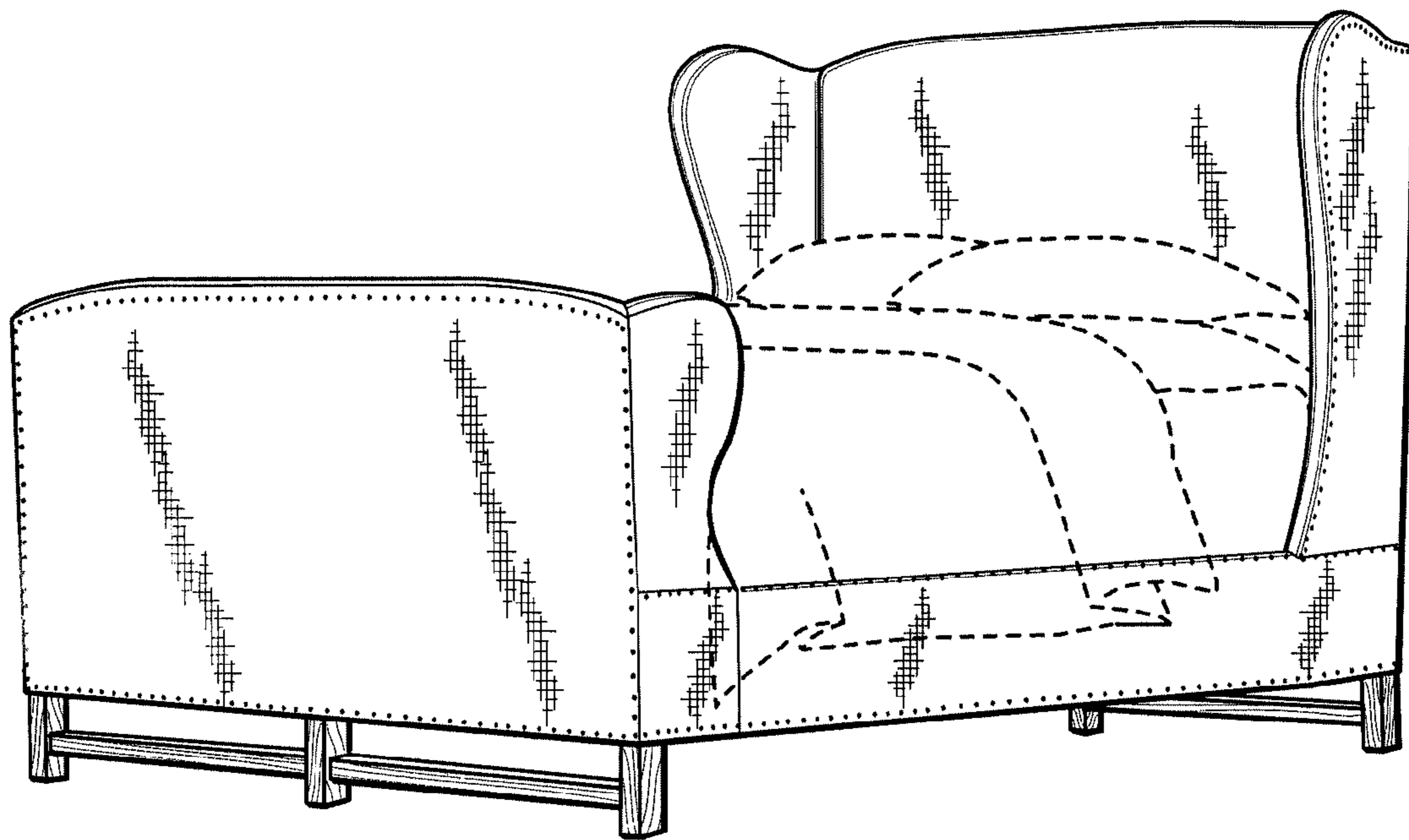
(56) **References Cited**

U.S. PATENT DOCUMENTS

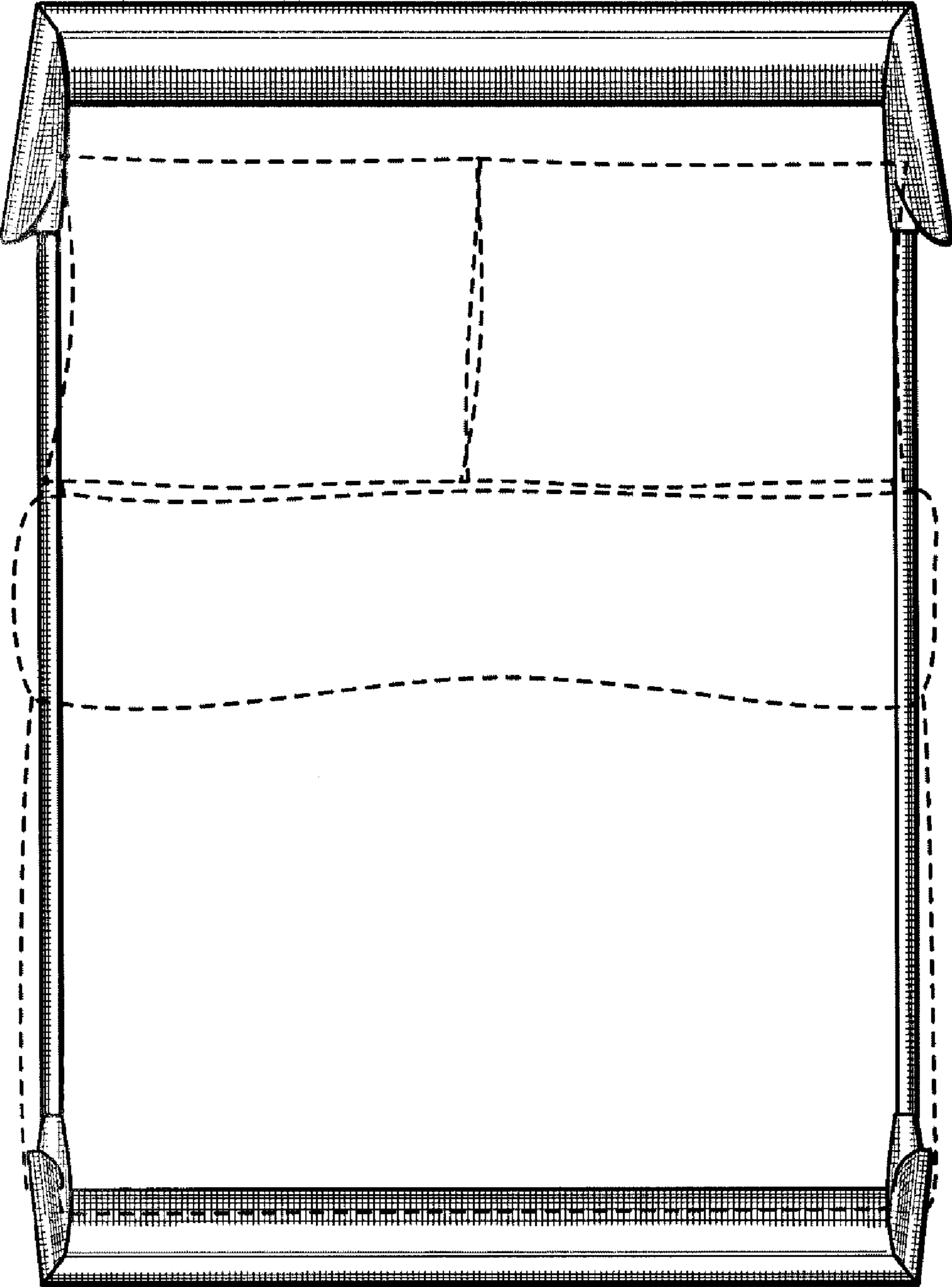
- D72,994 S \* 7/1927 Erskine ..... D6/384
- D319,932 S \* 9/1991 Lauren ..... D6/393

**1 Claim, 3 Drawing Sheets**

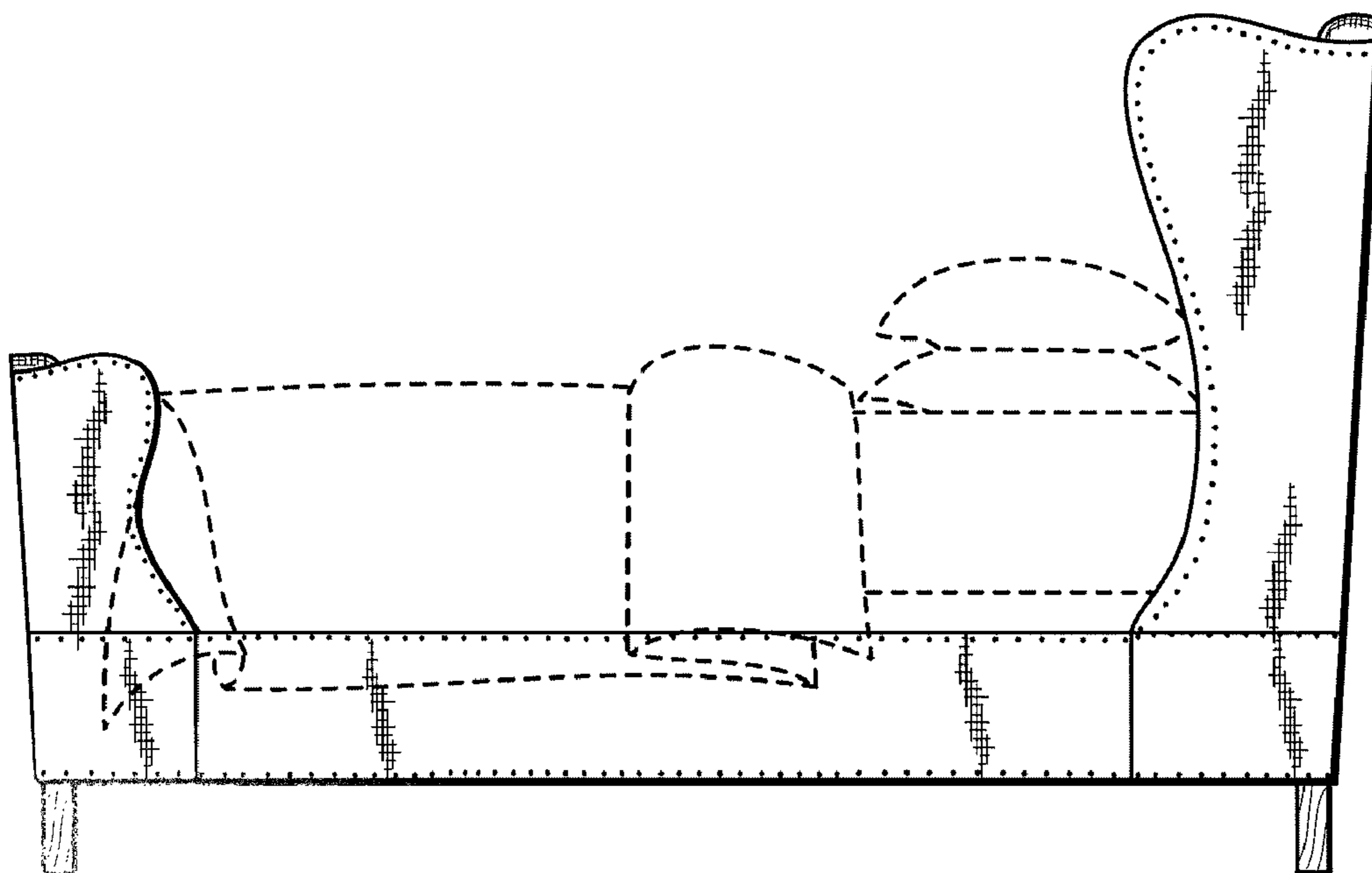




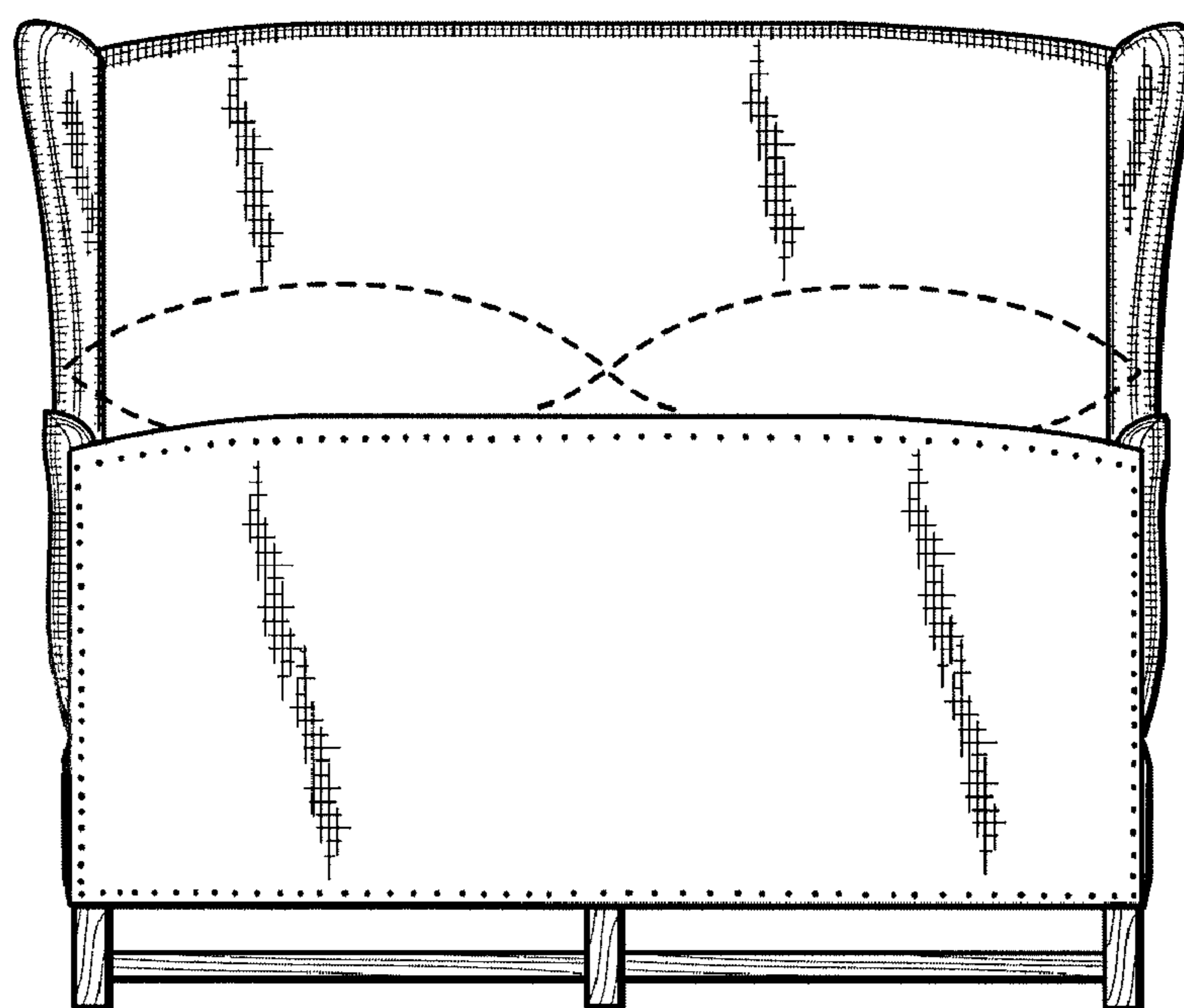
**FIG. 1**



**FIG. 2**



**FIG. 3**



**FIG. 4**