



US00D660042S

(12) **United States Design Patent**
Higgs et al.

(10) **Patent No.:** **US D660,042 S**

(45) **Date of Patent:** **** May 22, 2012**

(54) **BATH BENCH**

(75) Inventors: **Paul E. Higgs**, Chester, NJ (US); **David Fravel**, Danville, CA (US)

(73) Assignees: **Higgs Medical Products, LLC**, Chester, NJ (US); **Apex Medical Corporation**, Sioux Falls, SD (US)

(**) Term: **14 Years**

(21) Appl. No.: **29/392,881**

(22) Filed: **May 27, 2011**

(51) **LOC (9) Cl.** **06-01**

(52) **U.S. Cl.** **D6/374**

(58) **Field of Classification Search** D6/334-336,
D6/349, 367, 368, 374, 375, 379, 380, 500-502;
D23/303, 304; 4/559, 562.1, 578.1, 579;
297/183, 183.7, 183.9, 239, 445.1, 446.1,
297/451.11, 452.29

See application file for complete search history.

(56) **References Cited**

U.S. PATENT DOCUMENTS

5,335,377 A * 8/1994 Masyada et al. 4/578.1
D355,985 S * 3/1995 Karten et al. D6/374

5,536,068 A * 7/1996 Valentor et al. 297/183.1
D375,638 S * 11/1996 Dhanapal et al. D6/377
5,940,905 A * 8/1999 Cheng 4/578.1
D439,429 S * 3/2001 Higgs et al. D6/368
D479,051 S * 9/2003 Darst et al. D6/335
D519,291 S * 4/2006 Higgs et al. D6/367
D526,517 S * 8/2006 Adams et al. D6/500
D550,002 S * 9/2007 Genord et al. D6/502
D552,366 S * 10/2007 Graves et al. D6/374

* cited by examiner

Primary Examiner — Mimosa De

(74) *Attorney, Agent, or Firm* — Hoffmann & Baron, LLP

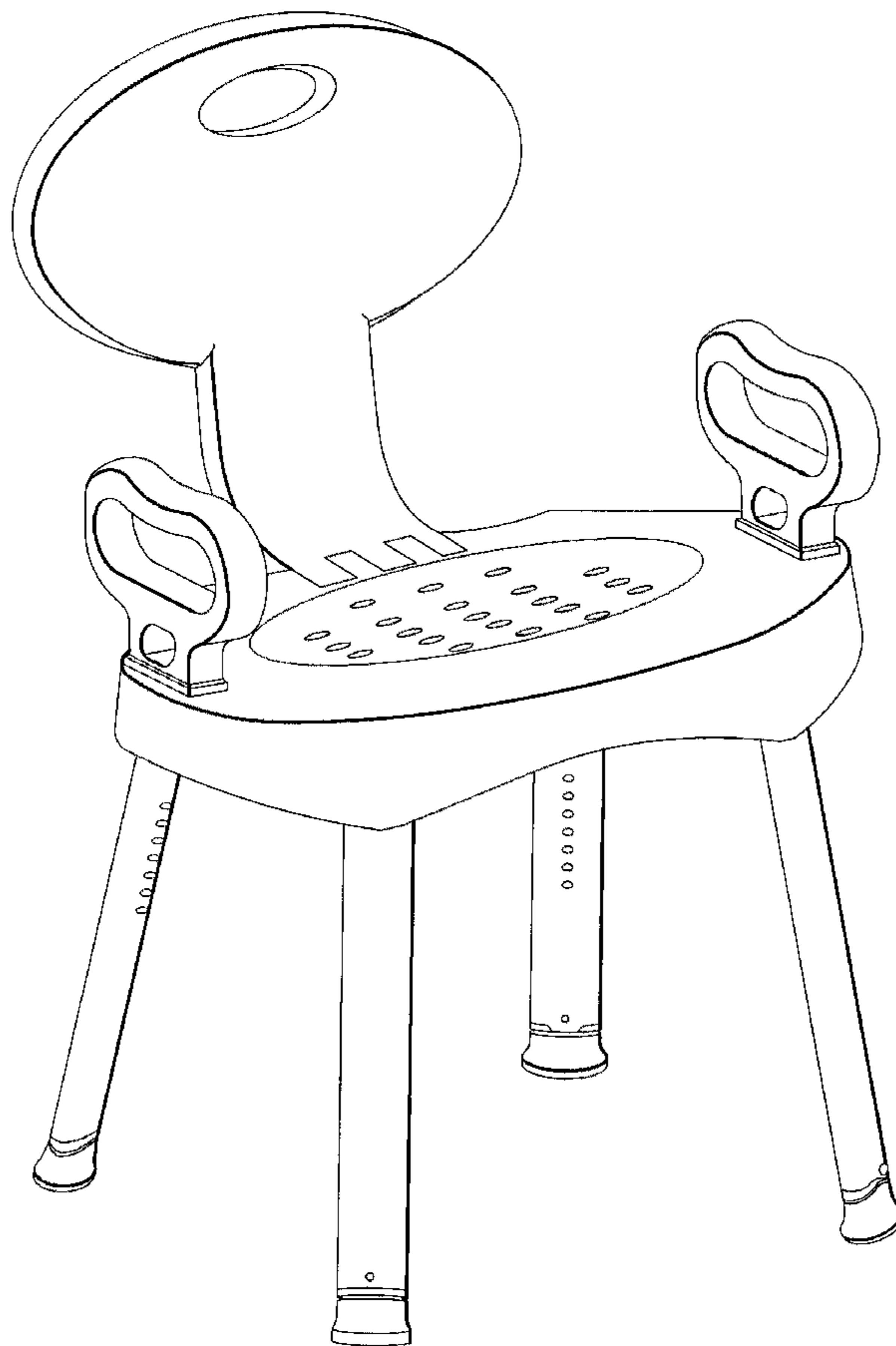
(57) **CLAIM**

The ornamental design for a bath bench, as shown and described.

DESCRIPTION

FIG. 1 is a front perspective view of a bath bench;
FIG. 2 is a front elevational view thereof;
FIG. 3 is a top plan view thereof;
FIG. 4 is a right side elevational view thereof, the left side
elevational view being a mirror image thereof;
FIG. 5 is a rear elevational view thereof; and,
FIG. 6 is a bottom plan view thereof.

1 Claim, 5 Drawing Sheets



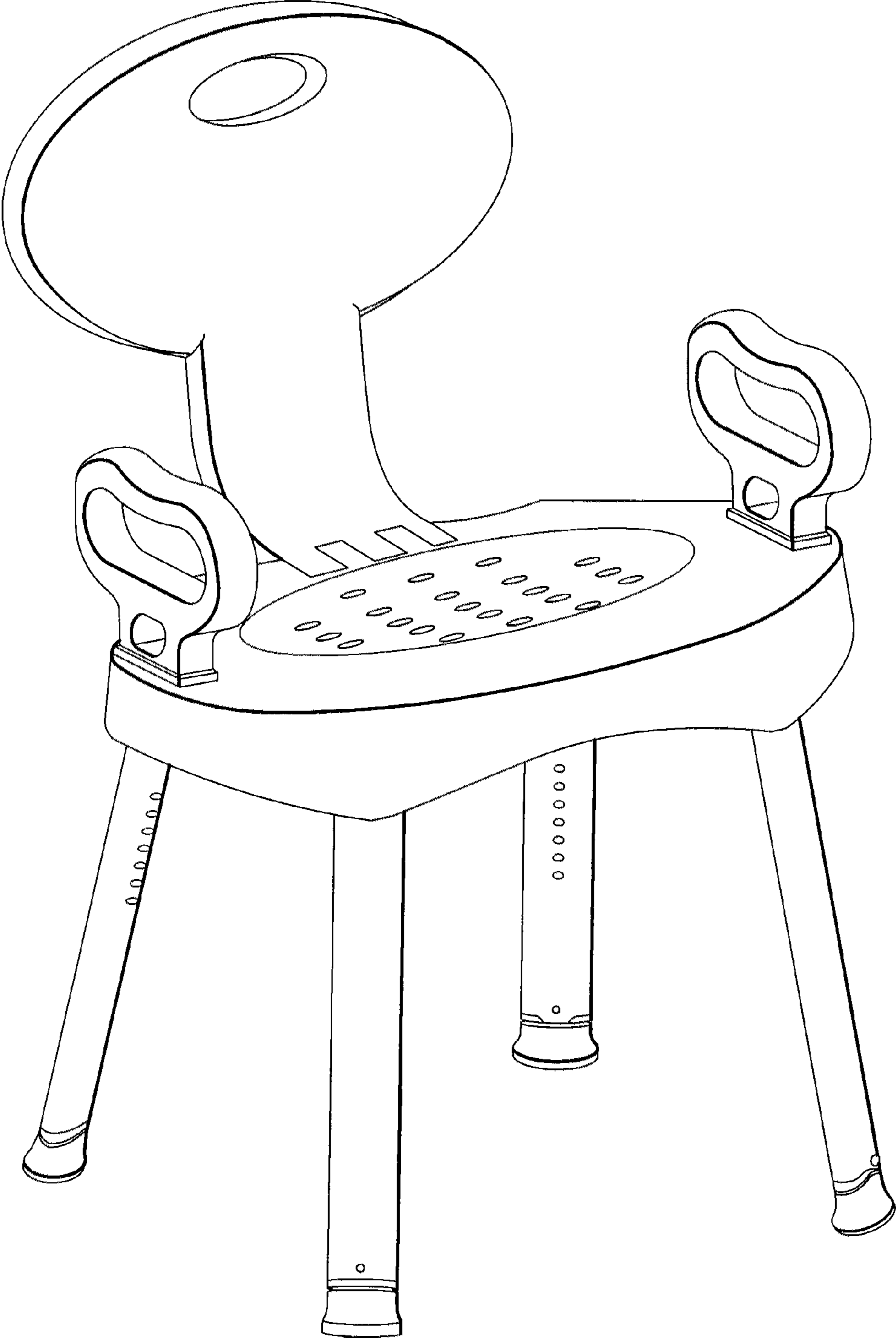


FIG. 1

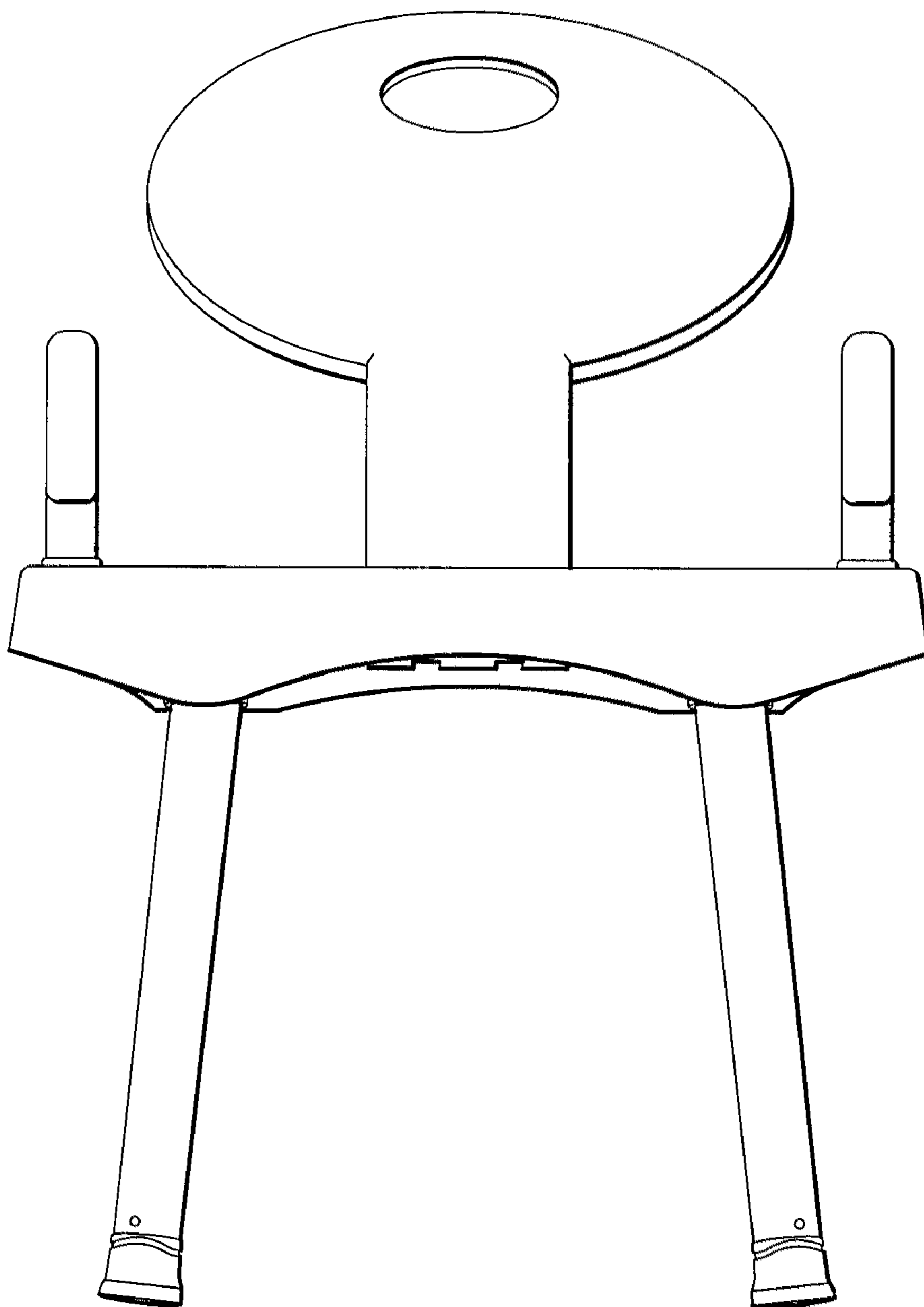


FIG.2

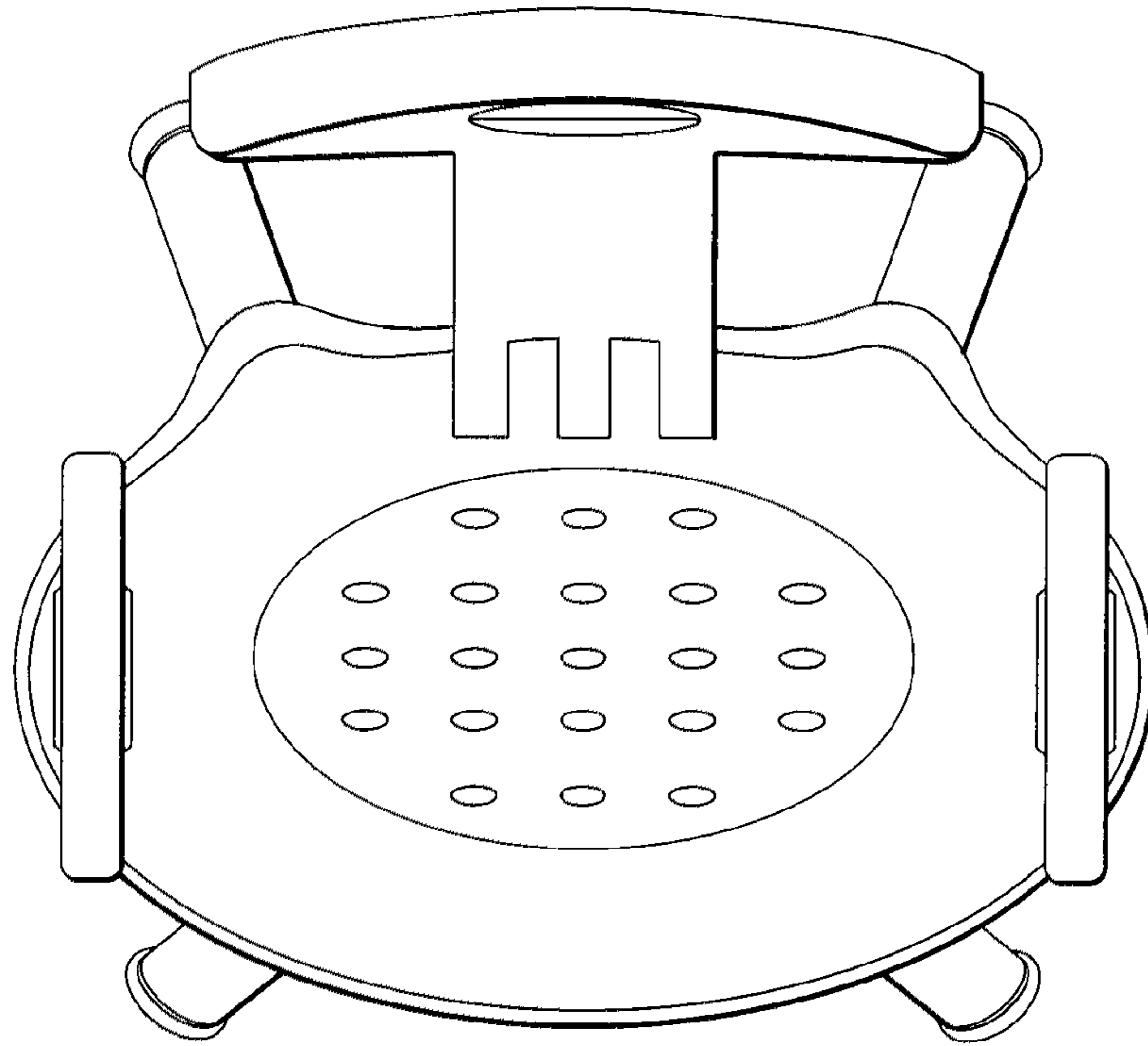


FIG. 3

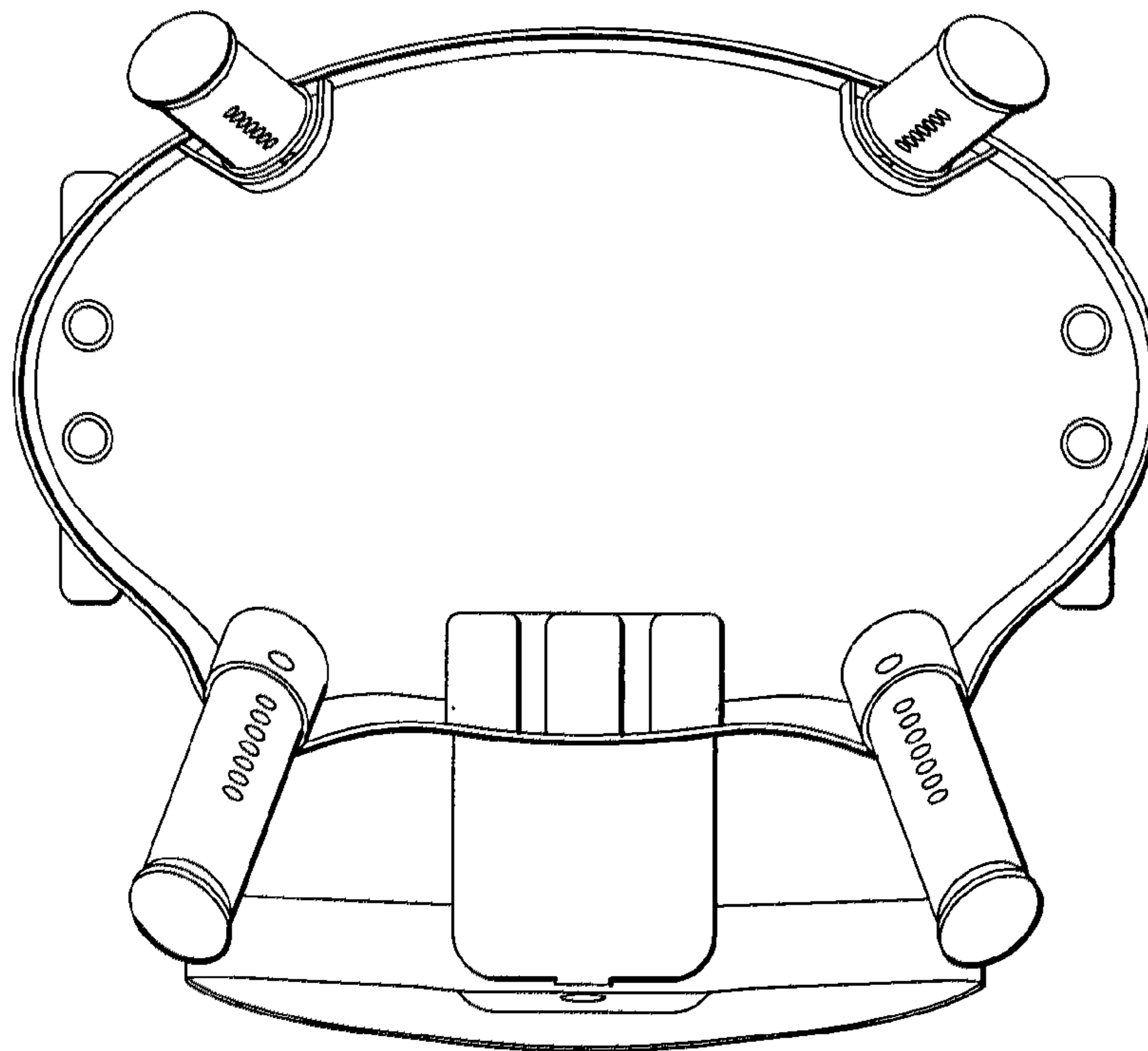


FIG. 6

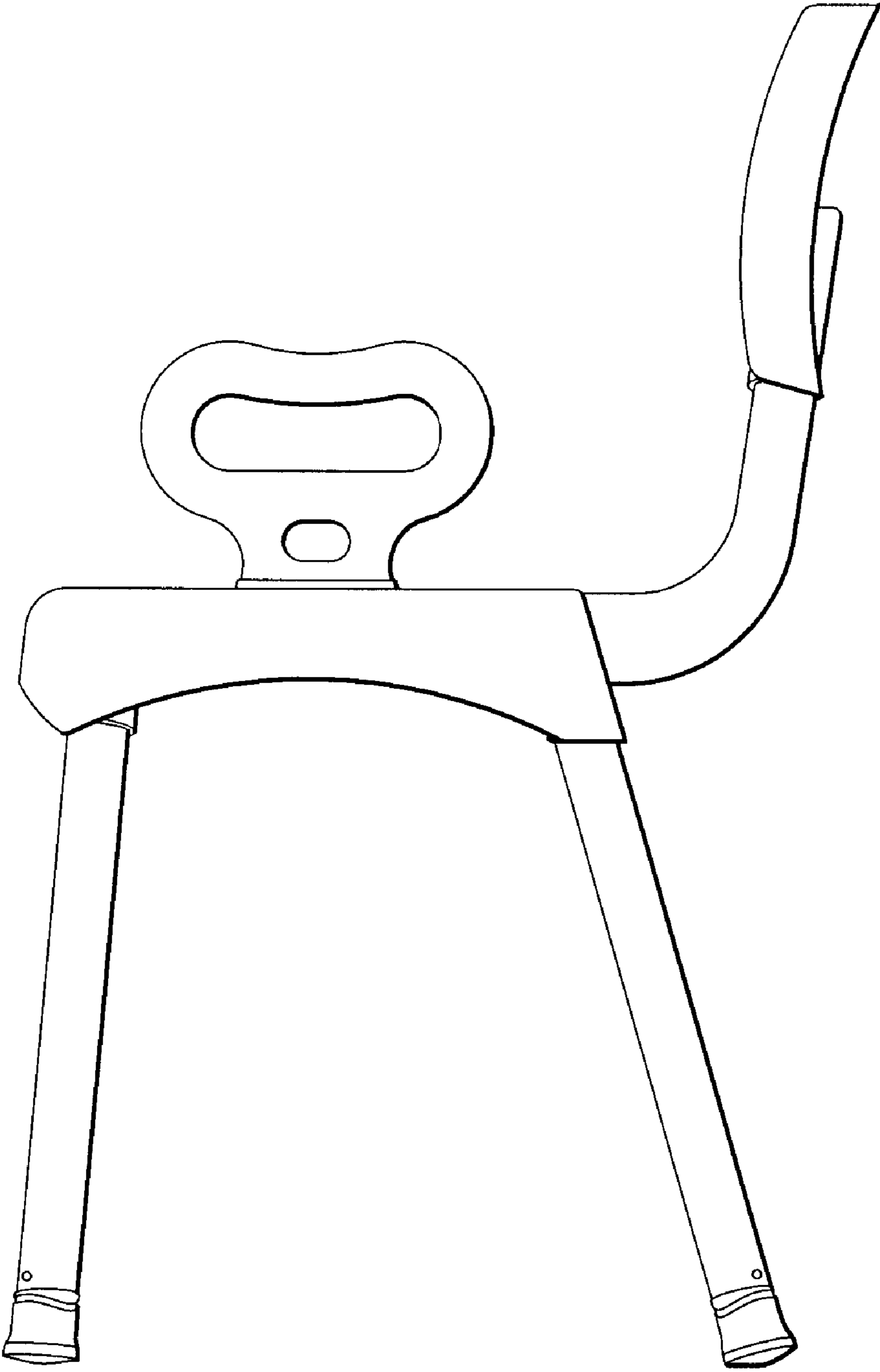


FIG.4

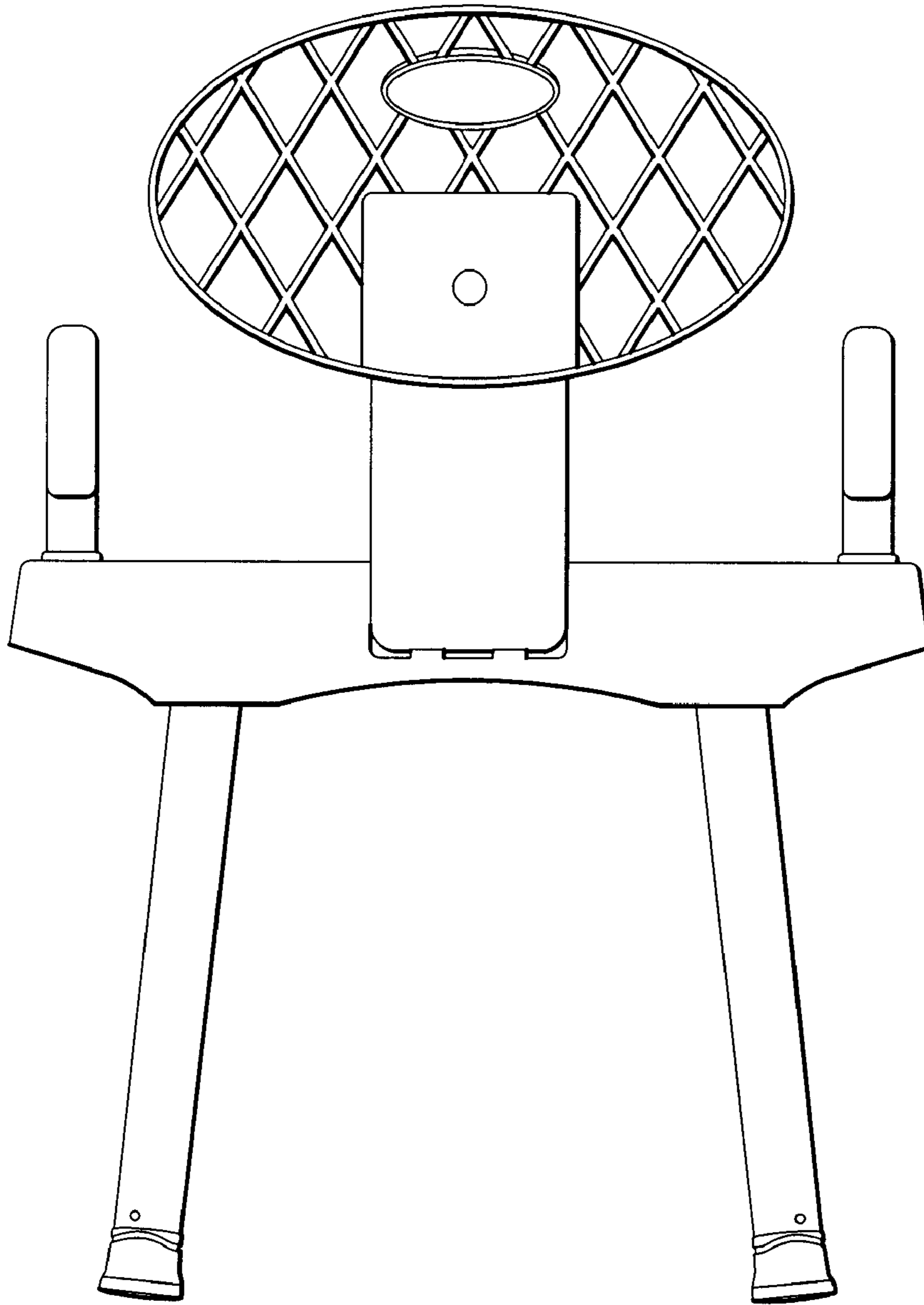


FIG. 5