



US00D660040S

(12) **United States Design Patent**
Bogdan et al.

(10) **Patent No.:** **US D660,040 S**
(45) **Date of Patent:** **** May 22, 2012**

(54) **CHAIR**

(75) Inventors: **Chad M. Bogdan**, St. Paul, MN (US);
George K. Smithwick, Blaine, MN
(US); **Katherine R. Wittenberg**, St.
Paul, MN (US); **Stacy L. Abel**, Maple
Grove, MN (US); **Becca J. Koehler**,
Minneapolis, MN (US)

5,911,469 A 6/1999 Young
D413,452 S 9/1999 Rhiemen
D413,736 S 9/1999 Jackson
D425,719 S 5/2000 Chalmers et al.
D509,970 S 9/2005 Adams
D570,127 S 6/2008 Spink
7,401,854 B2 7/2008 Adams
D607,223 S 1/2010 Adams et al.

OTHER PUBLICATIONS

(73) Assignee: **Target Brands, Inc.**, Minneapolis, MN
(US)

http://farm1.static.flickr.com/106/296519207_aa90e53d3f.jpg, p. 1
of 1, (last visited Jul. 1, 2010).

(**) Term: **14 Years**

3 D Furniture Design, "Adirondack chair," p. 1 of 1, <http://www.3dfurnituredesign.com/Chair/adirondack%20chair.jpg> (last visited
Jul. 1, 2010).

(21) Appl. No.: **29/399,275**

[http://4.bp.blogspot.com/_EsrRVgKJlbc/ScubRGmybTI/
AAAAAAAAHVc/fd7oQ_Nzd_c/s400/100_5826.JPG](http://4.bp.blogspot.com/_EsrRVgKJlbc/ScubRGmybTI/AAAAAAAAHVc/fd7oQ_Nzd_c/s400/100_5826.JPG), p. 1 of 1,
(last visited Jul. 1, 2010).

(22) Filed: **Aug. 11, 2011**

Pending U.S. Appl. No. 29/359,368, filed Apr. 9, 2010 entitled Chair
pp. 1-7.

(51) **LOC (9) Cl.** **06-01**

Pending U.S. Appl. No. 29/366,200, filed Jul. 21, 2010 entitled Chair
pp. 1-10.

(52) **U.S. Cl.** **D6/370; D6/375; D6/379**

Pending U.S. Appl. No. 29/366,201, filed Jul. 21, 2010 entitled Chair
pp. 1-5.

(58) **Field of Classification Search** D6/334-336,
D6/368, 370, 374, 375, 379, 380, 500-502;
297/239, 411.42, 411.43, 445.1, 446.1, 452.63,
297/DIG. 2

See application file for complete search history.

* cited by examiner

(56) **References Cited**

Primary Examiner — Mimosa De

(74) *Attorney, Agent, or Firm* — Leanne Taveggia Farrell;
Westman, Champlin & Kelly, P.A.

U.S. PATENT DOCUMENTS

D66,525 S	1/1925	Wurdack et al.	
D68,027 S	8/1925	Wurdack	
D78,926 S	7/1929	Gottlob	
D84,585 S	7/1931	Ledder et al.	
D109,239 S	4/1938	Wolpin	
2,222,296 A	11/1940	Luiken	
2,385,072 A	9/1945	Gray	
D148,391 S	1/1948	Plourde et al.	
2,490,884 A	12/1949	Rau	
2,600,626 A	6/1952	Ellingson	
2,650,652 A	9/1953	Watson	
4,635,998 A	1/1987	Hickey	
D295,927 S	5/1988	Hickey	
4,976,492 A	12/1990	Ziegler	
5,120,071 A	6/1992	Thibault et al.	
D334,299 S	3/1993	Embree	
D350,860 S	9/1994	Greeson	
D384,511 S	* 10/1997	Gresens D6/370

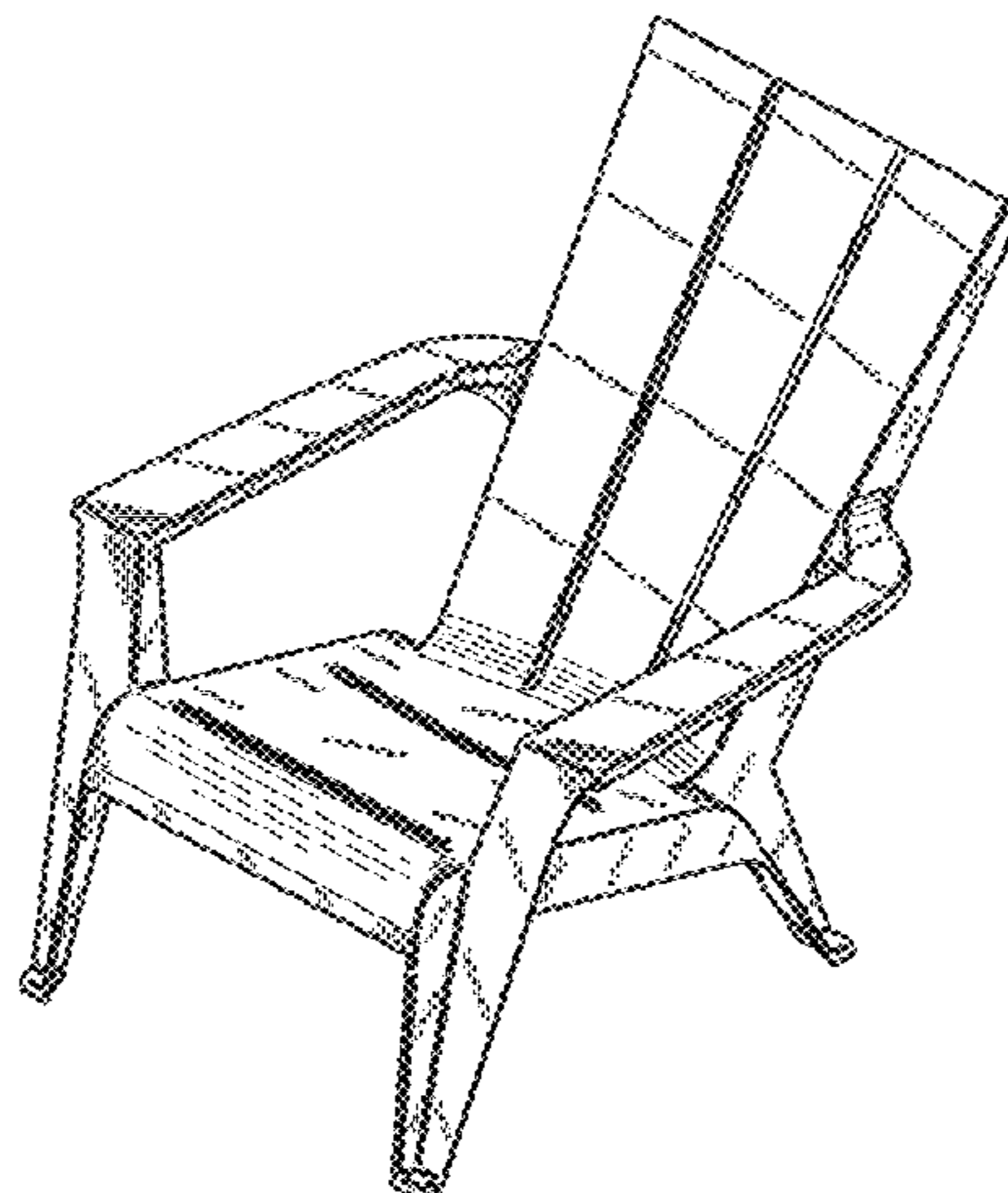
(57) **CLAIM**

The ornamental design for a chair, as shown and described.

DESCRIPTION

FIG. 1 is a perspective view of the chair;
FIG. 2 is a right side view thereof;
FIG. 3 is a left side view thereof;
FIG. 4 is a front view thereof;
FIG. 5 is a back view thereof;
FIG. 6 is a top view thereof; and,
FIG. 7 is a bottom view thereof.
The dashed lines in FIGS. 4-5 and 7 form no part of the
claimed design.

1 Claim, 7 Drawing Sheets



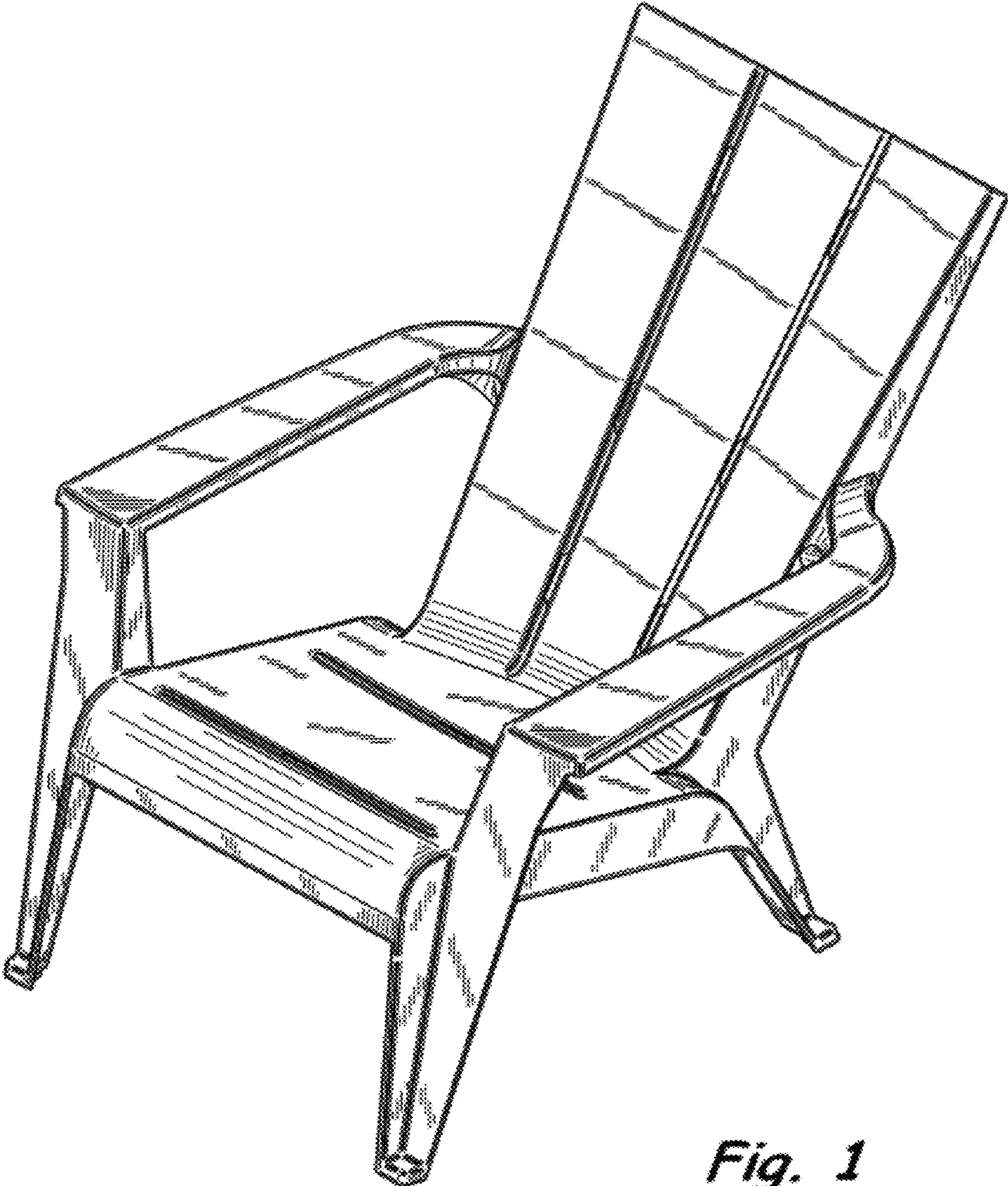


Fig. 1

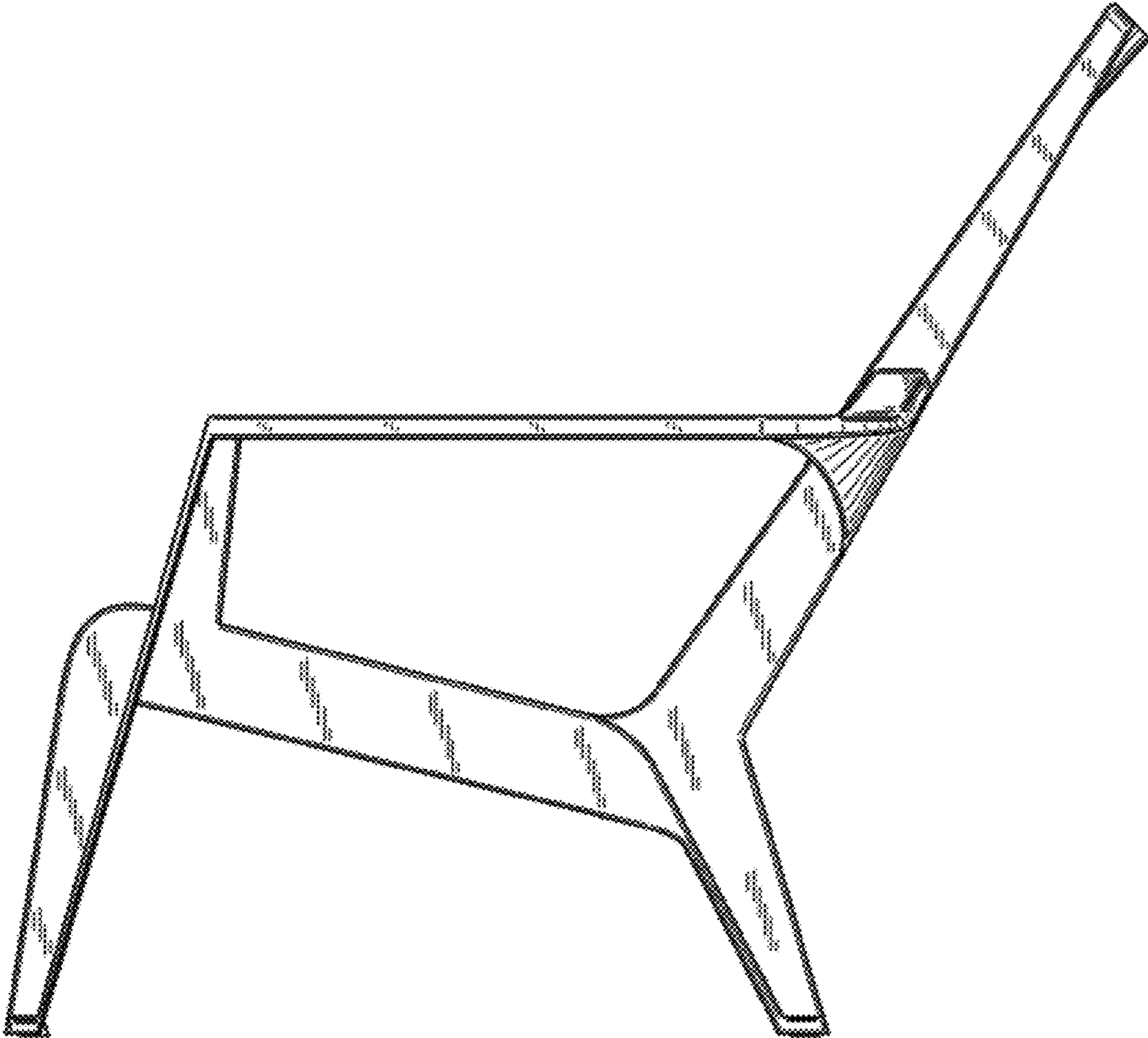


Fig. 2

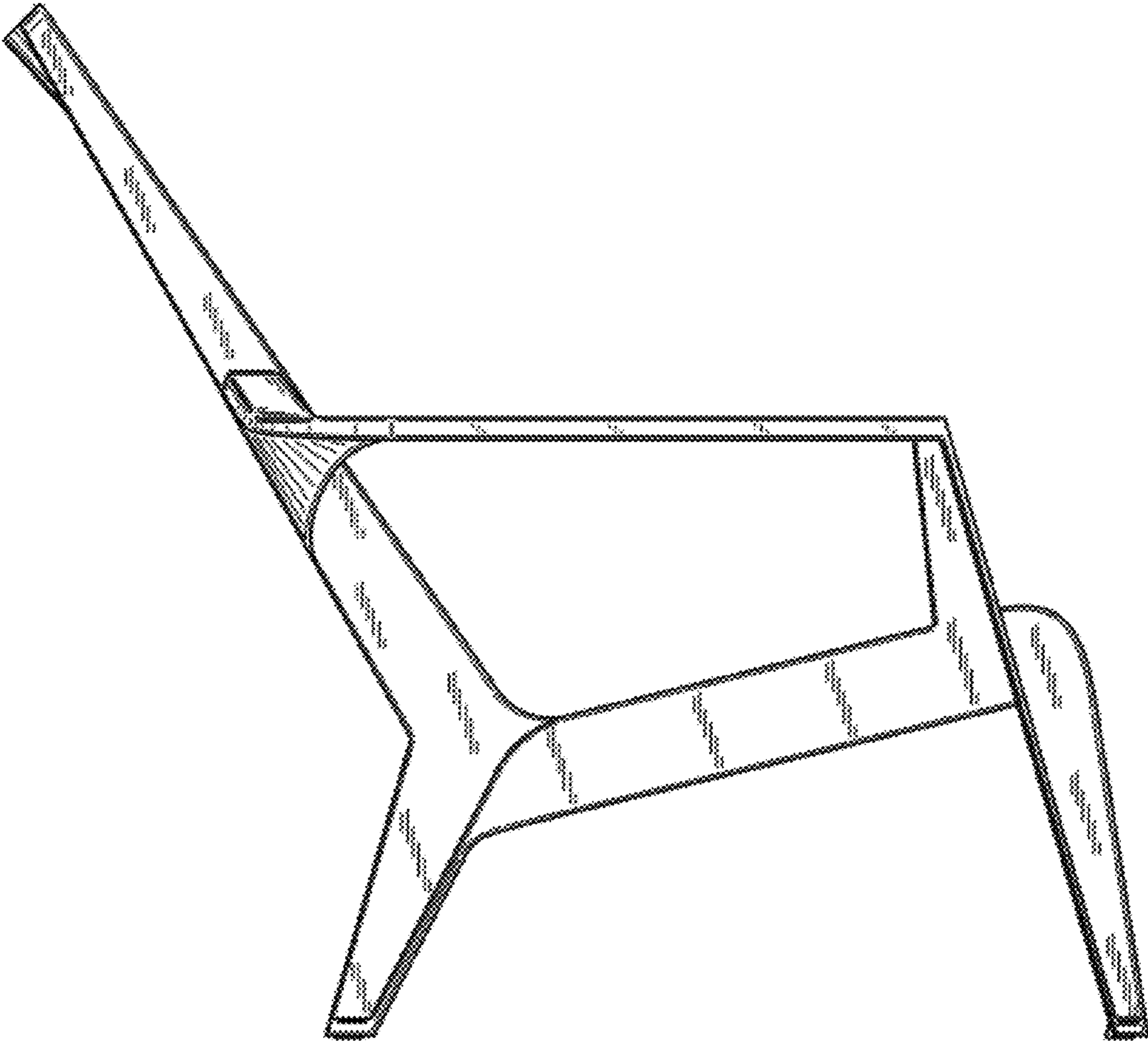


Fig. 3

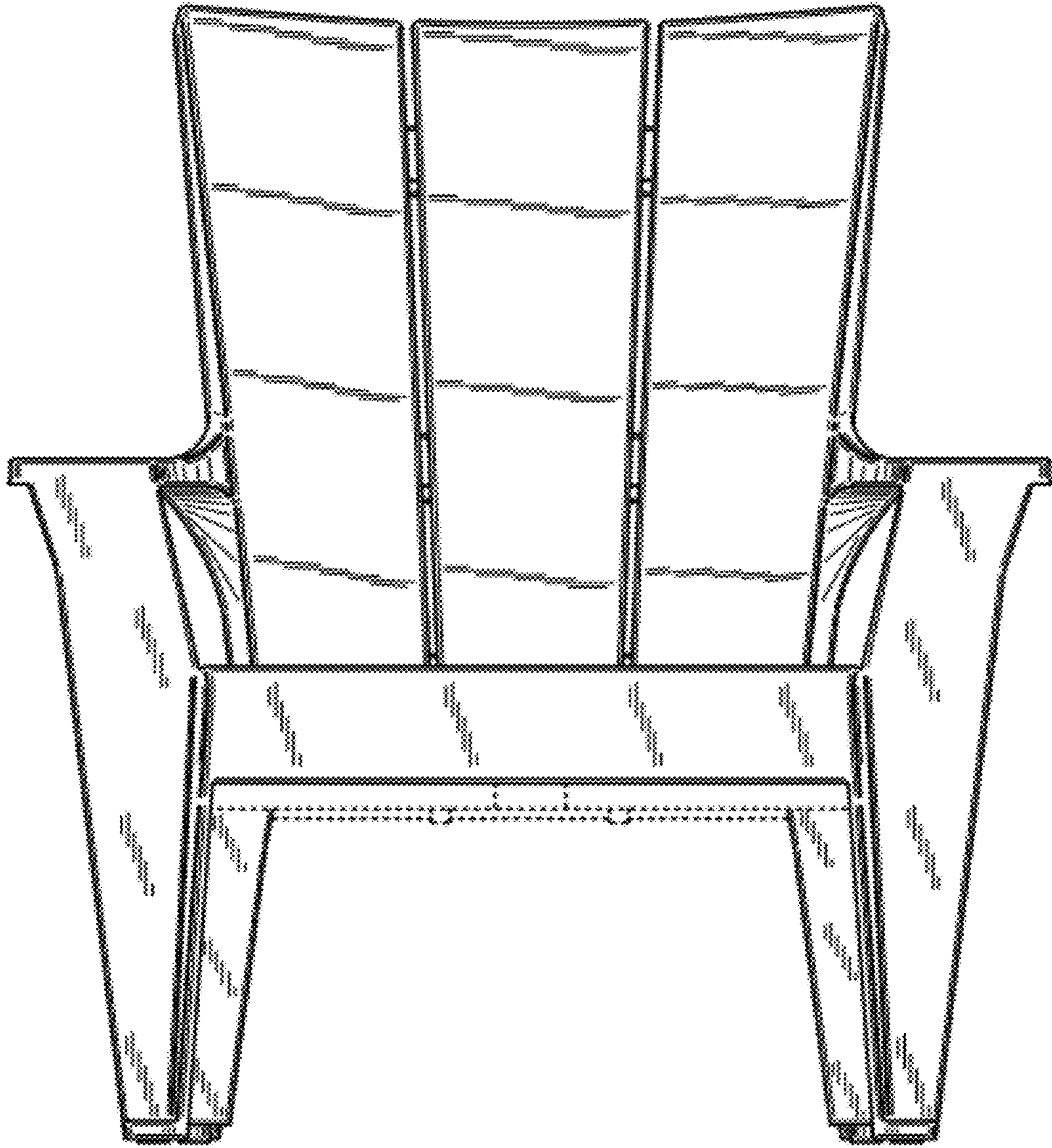


Fig. 4

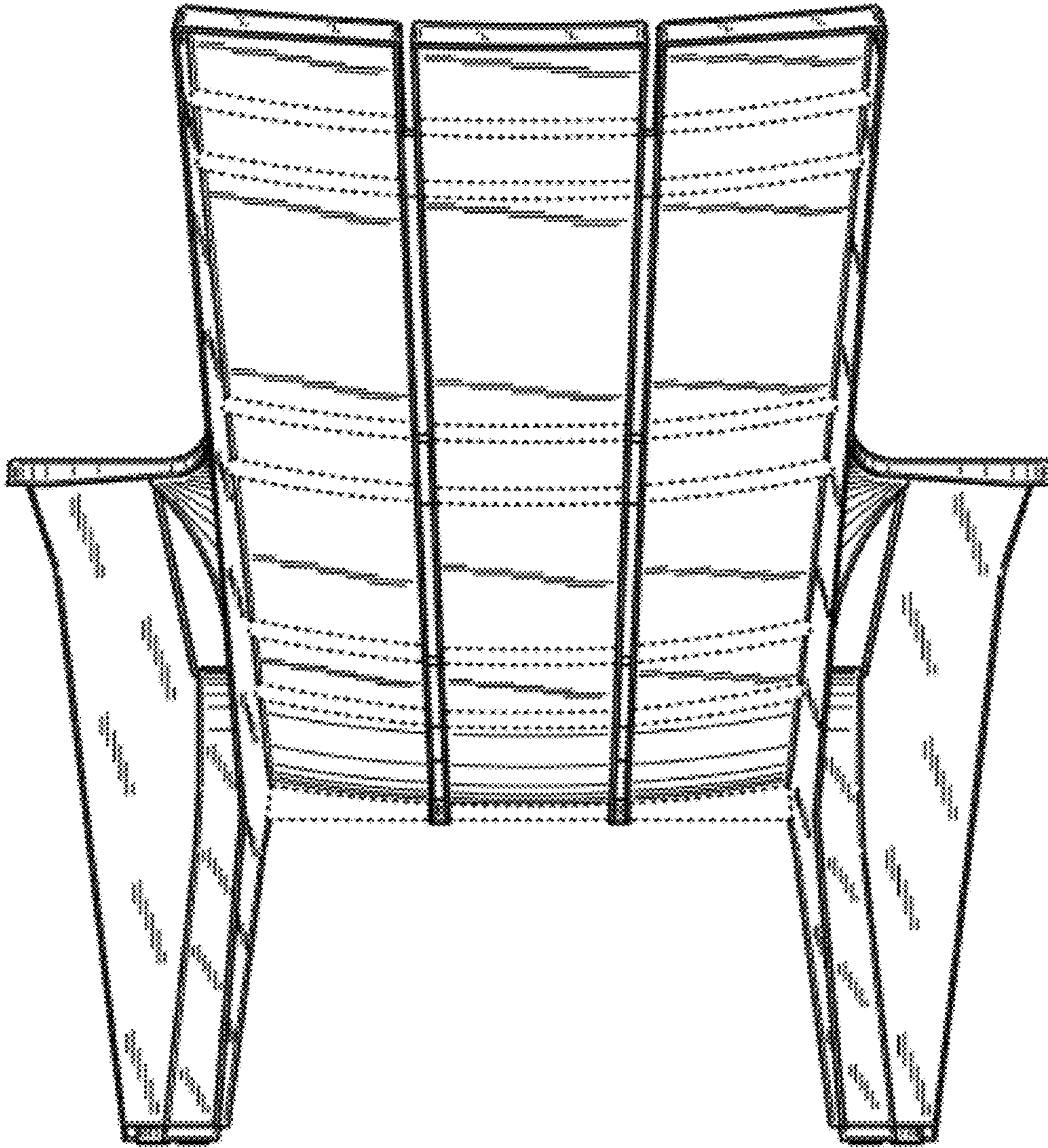


Fig. 5

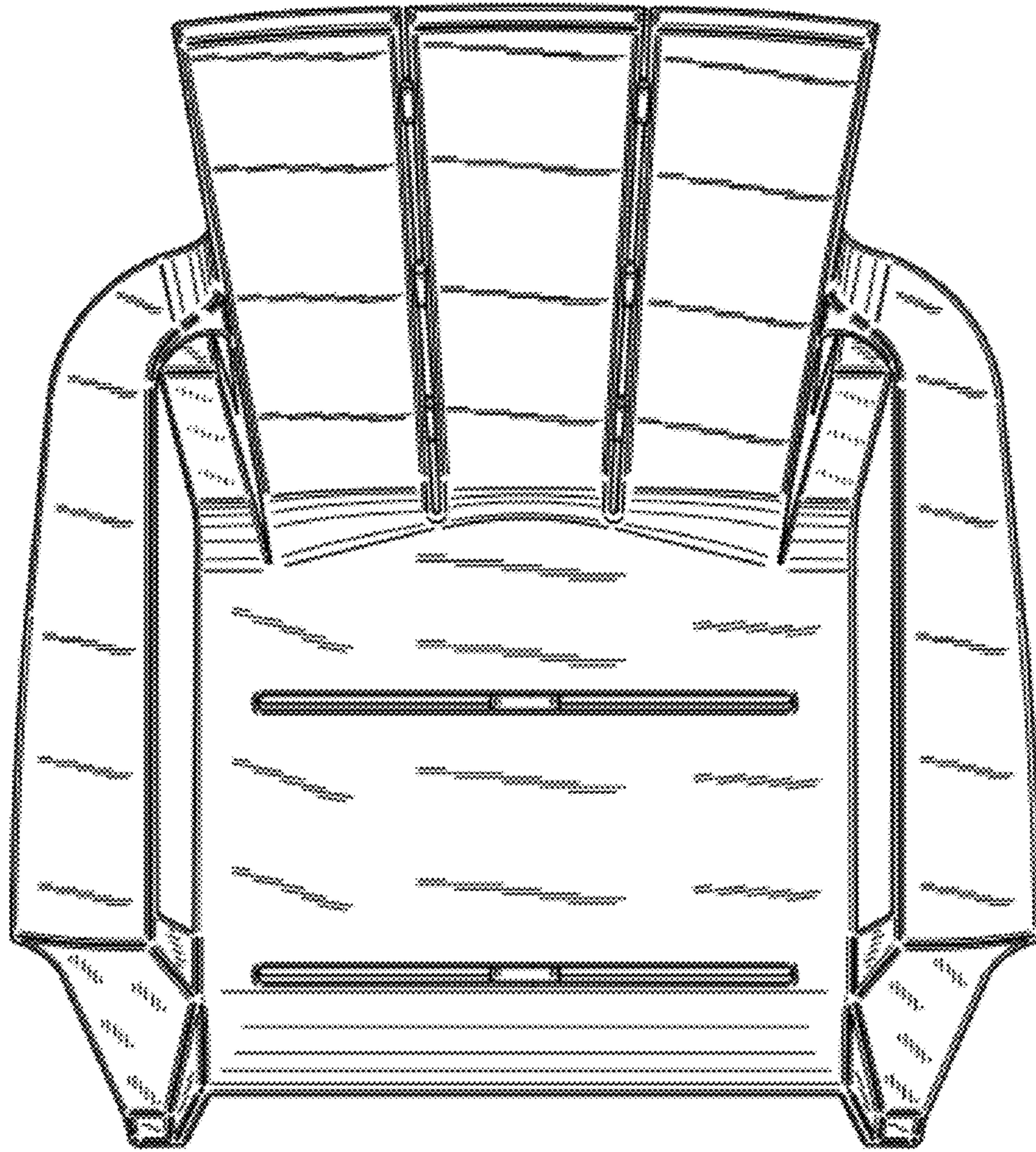


Fig. 6

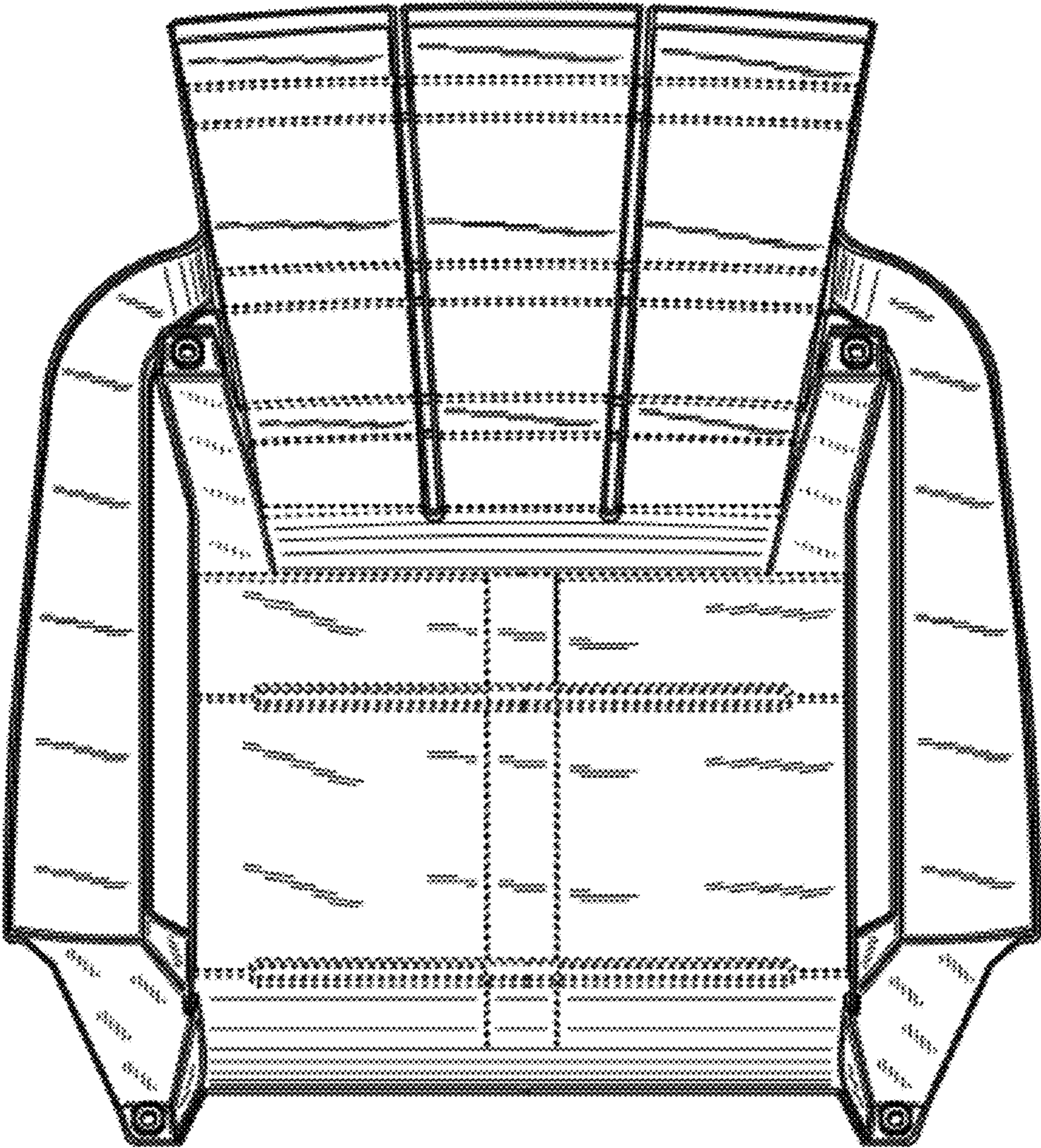


Fig. 7